



FWH Architects, Inc.
3336 Grand Blvd. Suite 102
Holiday, Florida 34690
Ph. 727. 815. 3336
Fax 727. 815. 3337

PROJECT TYPE

DRAWINGS/SPECIFICATIONS BY:
 WALGREENS' CONSULTANT
 LANDLORD'S CONSULTANT

CONSTRUCTION WORK BY: (UNLESS NOTED OTHERWISE)
 WALGREENS' CONTRACTOR
 LANDLORD'S CONTRACTOR (TURNKEY CONSTRUCTION)

STORE BUILDING

NEW.....	NEW.....
REMODELING...	EXISTING.....
RELOCATION...	NEW SHELL ONLY
OTHER.....	

SIGN GRAPHICS ARE PURCHASED AND INSTALLED BY WALGREENS.
NOTE: AVOID PLACING CONTROL JOINTS WHERE SIGNAGE OCCURS.

NON-PROTOTYPICAL CONDITIONS

47	N/A
48	N/A
49	N/A
50	N/A
51	N/A
52	N/A
53	N/A
54	N/A
55	N/A
56	N/A
57	N/A
58	N/A
59	N/A
60	N/A
61	N/A
62	N/A

64 LEAVE OUT PORTION OF GMB WALL IN 7'-0" x 7'-3" H HEADED OPENING FOR PALLET DELIVERY OF FIXTURES, INFILL WALL AFTER DELIVERY. REFER TO ALL FLOOR PLAN.

67 PAINT BENJAMIN MOORE "HEATHFIELD".
 68 WALGREENS 50"W x 5"H RED TRANSOM DECAL SIGN, REFER TO I/A4.3
 69 6" HIGH BLACK VINYL STORE ADDRESS DECAL, REFER TO I/A4.3
 70 6" 04 BUTTERSOTCH VINYL BASE W/ PRE FORMED OUTSIDE CORNER. RETURN AT ALL CORNERS AS APPLICABLE.

NO.	DATE	DESCRIPTION
1	02.05.10	REVISED PER WGS 1ST REVIEW COMMENTS
2	04.05.10	REVISED PER WGS 2ND REVIEW COMMENTS
3	04.26.10	REVISED PER WAGD CB 09-044

CERTIFICATION AND SEAL		
I HEREBY CERTIFY THAT THIS PLAN AND SPECIFICATION WAS PREPARED BY ME OR UNDER MY DIRECT SUPERVISION AND THAT I AM A DULY REGISTERED ARCHITECT OR ENGINEER UNDER THE LAWS OF THE STATE OF FLORIDA AS SIGNIFIED BY MY HAND AND SEAL.		
GUY F. FABER FL LICENSE NO. AR0019323		

PROJECT NAME		
STORE #13450 (SWC) OF FOURAKER & NORMANDY JACKSONVILLE, FLORIDA		
DRAWING TITLE		
INTERIOR ELEVATIONS AND DETAILS		
DATE:	11.30.09	WALGREENS STORE NO. 13450
DRAWN BY:	AB	SCALE: AS NOTED
REVIEWED BY:	SK	RELEASED TO CONSTRUCTION 04.05.10
		DRAWING NO. 0913

PROJECT NAME
 STORE #13450
 (SWC) OF FOURAKER & NORMANDY
 JACKSONVILLE, FLORIDA

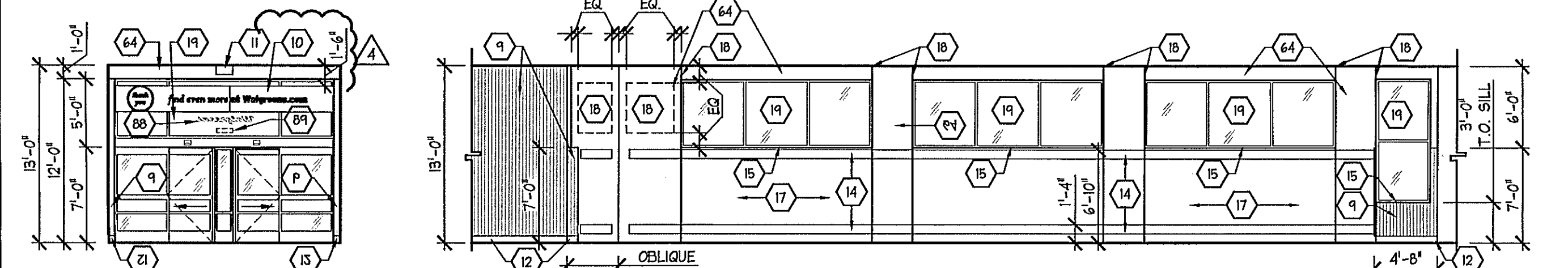
INTERIOR ELEVATIONS AND DETAILS

DATE:	11.30.09	WALGREENS STORE NO. 13450	DRAWING NO. 0913
DRAWN BY:	AB	SCALE: AS NOTED	
REVIEWED BY:	SK	RELEASED TO CONSTRUCTION 04.05.10	

INTERIOR ELEVATIONS KEYS NOTES

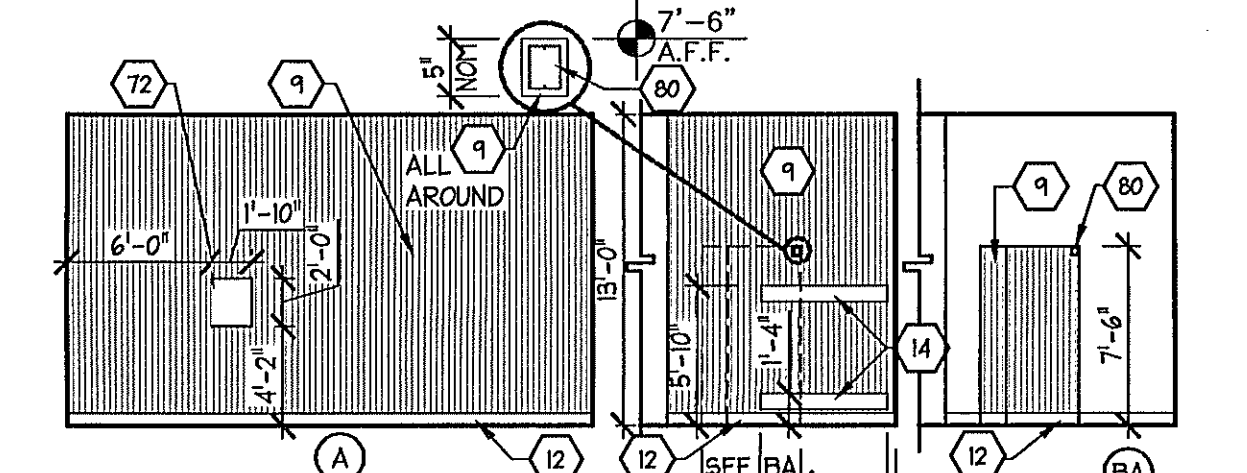
ITEMS MARKED N/A ARE NOT APPLICABLE. ALL PAINT NUMBERS ARE BENJAMIN MOORE & CO. MATERIALS (B#). FOLLOWING ARE REFERENCE TO INTERIOR ELEVATIONS. FOR OTHER FINISHES, REFER TO INTERIOR MATERIALS AND FINISH SCHEDULE. PLEASE NOTE: GRAPHICS APPLIED ON MIRRORS ARE TO BE INDIVIDUAL LETTERS.

- DESCRIPTION**
- BEAUTY DOT COM SIGN BY WALGREENS.
 - BEAUTY HANGING SIGN BY WALGREENS.
 - PHARMACY HANGING SIGN BY WALGREENS.
 - PHOTO DOT COM SIGN BY WALGREENS.
 - PHOTO HANGING SIGN BY WALGREENS.
 - MARKET SIGN BY WALGREENS.
 - BODY AND BATH HANGING SIGN BY WALGREENS.
 - HEALTH DOT COM SIGN BY WALGREENS.
 - VINYL WALL COVERING, (SELECTION 'A') WHERE APPLICABLE, RETURN WALL COVERING AT ALL CORNERS, PHOTO PARTITION # 11" ON BACKSIDE OF REFRIGERATOR CASE OPENING
 - CHECKOUT HANGING SIGN BY WALGREENS.
 - EMERGENCY EXIT SIGN. REFER TO ELECTRICAL DRAWINGS.
 - 6" BLACK VINYL BASE W/ PRE FORMED OUTSIDE CORNER. RETURN AT ALL CORNERS AS APPLICABLE.
 - N/A
 - 1/2" X 8" WOOD GROUNDS OR PLYWOOD FOR SALES AREA SHELVING
 - PLASTIC LAMINATED SILL - FRONT WALL.
 - ACOUSTICAL CEILING GRID AND TILE.
 - NO VINYL OR PAINT REQUIRED BEHIND SHELVING & ABOVE CEILING.
 - CONTROL JOINT (TYP.) AT SOFFITS, CONTINUE VERTICAL JOINT UNDERSIDE THE WIDTH OF SOFFIT. DO NOT INTERRUPT GRAPHIC DECALS W/ C.J. SEE WALL LOGO AND SIGN SPECS, THIS SHEET.
 - ALUMINUM STOREFRONT FRAMING, SEE A4.3.
 - PAINT DOORS AND FRAMES. SEE ROOM FINISH SCHEDULE.
 - MALL MIRRORS, SET AT ANGLE - EQUALLY SIZED, (30"-42" WIDE).
 - OPENING BETWEEN GENERAL SALES AREA AND PATIENT SEATING.
 - 2"x6" WOOD BLOCKING UNDER GMB TO ANCHOR TOP AND BOTTOM SLAT WALL.
 - 1/2" LAMINATED SECURITY GLASS W/ LAMINATED SILL. SEE DETAIL ON SHEET A4.1.
 - ROLL DOWN SHUTTER BY WALGREENS.
 - OPENING BETWEEN GENERAL SALES AREA AND PATIENT SERVICES.
 - OPENING BETWEEN PHOTO AND GENERAL SALES AREA.
 - PAPER TOWEL DISPENSER, BY WALGREENS.
 - SLAT WALL BY WALGREENS.
 - 3'-6" x 7" FRAMED OPENING BEHIND DRYWALL FOR FUTURE 'M' WINDOW.
 - 3/4" PLYWOOD BACKING BETWEEN STUDS UNDER GMB.
 - WALK-IN COOLER OPENING.
 - APPLY WALL BASE CONTINUOUSLY ALONG EXPOSED PORTION OF COOLER BELOW DOORS. CUT TOP OF BASE AS REQUIRED TO FIT.
 - 2"x4" CLEAT ALONG WALL FOR SUPPORT OF COUNTERTOP.
 - PLASTIC LAMINATED COUNTERTOP WITH BACK AND SIDE SPLASHES-LENGTH TO ALLOW 32" CLEAR SPACE ALONG WALL FOR REFRIGERATOR. CAULK JOINT BETWEEN BACK/SIDE SPLASH AND WALL. CAULK COLOR TO BE WHITE. BY GENERAL CONTRACTOR. ORDER CABINET AND COUNTER THROUGH MYERS. TELEPHONE: 217-735-1241.
 - A.D.A. CLEARANCE REQUIREMENT.
 - 24" DEEP LAMINATED COUNTERTOP AND SUPPORTS WITH KEYBOARD/MOUSE PLATFORM BY WALGREENS.
 - 30"W x 24"H CABINET BY WALGREENS.
 - ELECT OUTLET CENTERED ON CABINET AND KNEE SPACE (FOR ACCESSIBILITY), COORDINATE WITH ELECT DWGS.
 - PANELING - SEE DETAIL ON A4.2. WALL VINYL TO RUN 2" BEHIND PANELING.
 - REFRIGERATOR BY WALGREENS.
 - STAINLESS STEEL SINK.
 - CONVEX MIRROR, BY WALGREENS
 - CLOSURE WALL BY WALGREENS. SEE DETAIL SHEET A4.1.
 - DROP OFF/PICK UP/PATIENT CONSULTATION SIGN BY WALGREENS.
 - N/A
 - N/A
 - RESTROOM GRAPHICS BY WALGREENS
 - PAINT BENJAMIN MOORE WHITE DOVE.
 - 1'-8" W. PLASTIC LAMINATE (SAME AS WINDOW SILL) OVER GMB FROM BOTTOM OF WINDOW DOWN. SEE PHARMACY WALL DETAIL.
 - 3/4" x 48" PLYWOOD BLOCKING BETWEEN STUDS UNDER GMB, FROM 3'-2" TO 7'-2" AFF (TO SILL UNDER WINDOW)
 - 3 PIECES OF 3/4" x 12" BLOCKING, 2'-4" WIDE, BEHIND GMB, CENTERED @ 36", 54", AND 80" A.F.F. FOR MOUNTING OF SINK CABINETS. SEE D-1.
 - N/A
 - 5/8" GMB
 - PLASTIC COATED WIRE SHELVING
 - WOOD BLOCKING FOR FAUCET SUPPORT, SEE PLUMBING DRAWINGS.
 - 22"Wx24"H OPENING FOR ONE-WAY 1/4" MIRRORRED GLASS. SEE DETAIL ON SHEET A4.2.
 - DRINKING FOUNTAIN, REFER TO FLOOR PLAN AND PLUMBING DRAWINGS
 - MOP BASIN. SEE PLUMBING DRAWINGS.
 - CURTAIN WALL CASED GMB RETURNED @ MIRROR END, PAINT EXPOSED GMB WEDGE
 - 3 5/8" 20 GA. METAL STUDS @ 16" O.C.
 - FIBERGLASS POLYESTER PANELS TO UNDERSIDE OF CEILING.
 - FIBERGLASS PANELS TO UNDERSIDE OF OPENING.
 - 3 PIECES OF 3/4"x2" BLOCKING, 3'-0" WIDE, BEHIND GMB, CENTERED @ 37", 64", AND 80" A.F.F. FOR FASTENING OF 10 DRAWER FILE CABINET TO WALL. SEE D-1.
 - LATERAL WALL BRACING, 5/8" GYP. BD. OVER (2) 3 5/8" MTL STUD BEAMS.
 - FRAMED GRAPHICS
 - ADA TOILET ROOM SIGN
 - OPENING AT PASSAGE #3, SEE FLOOR PLAN
 - CORNER GUARD, SEE DETAIL ON SHEET A4.2
 - PAINT BENJAMIN MOORE "EDGECOMB GRAY"

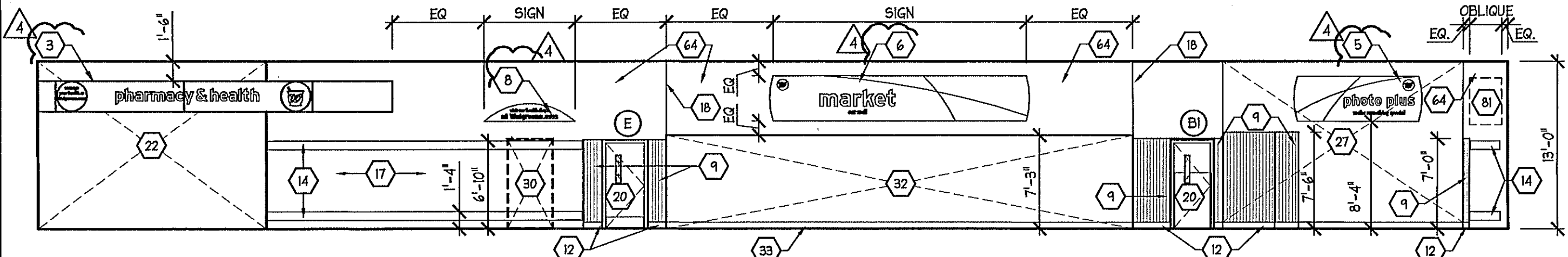


1 ELEVATION
A31 SCALE: 1/8" = 1'-0"

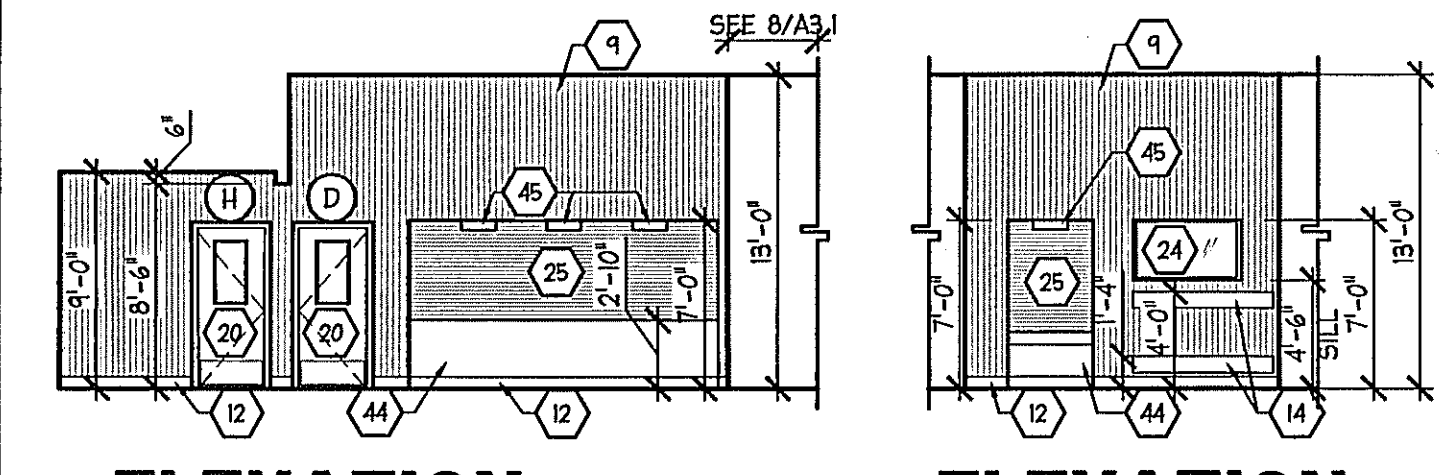
2 ELEVATION
A31 SCALE: 1/8" = 1'-0"



3 ELEVATION
A31 SCALE: 1/8" = 1'-0" (PHOTO)

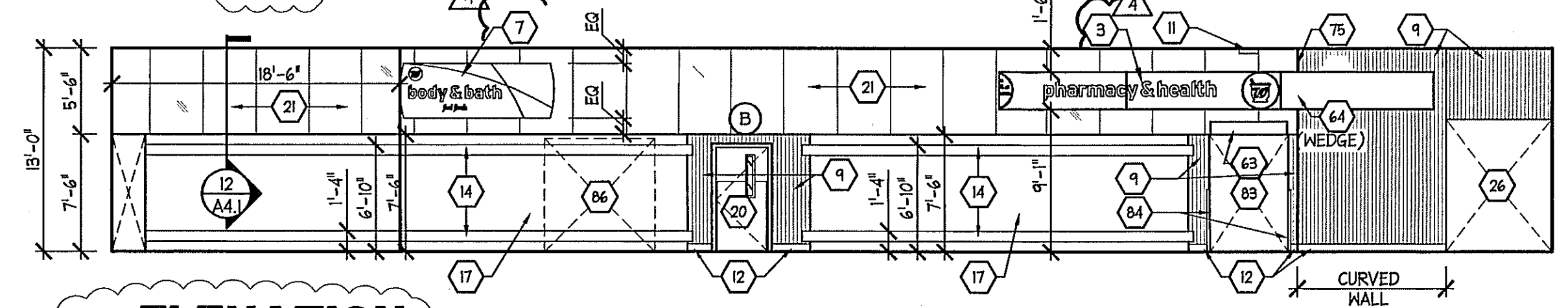


4 ELEVATION
A31 SCALE: 1/8" = 1'-0"



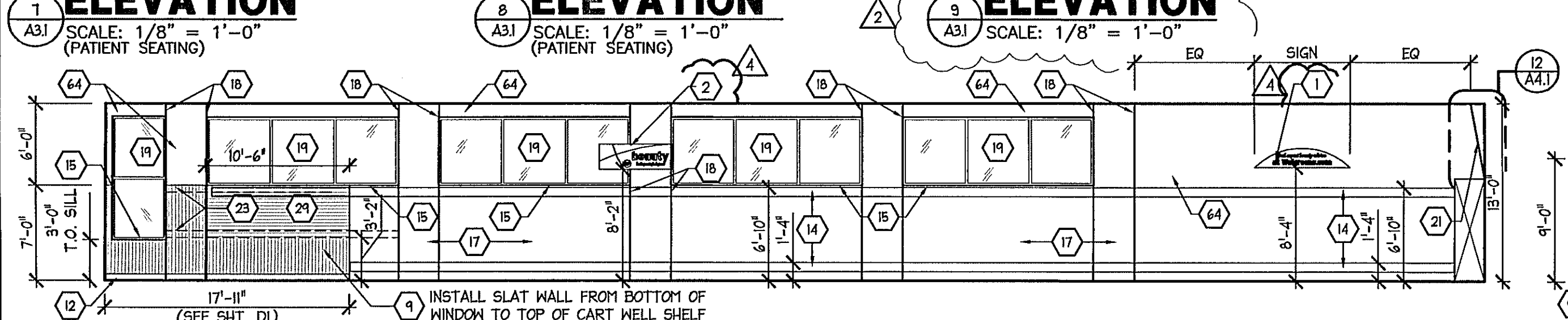
5 ELEVATION
A31 SCALE: 1/8" = 1'-0" (PATIENT SEATING)

6 ELEVATION
A31 SCALE: 1/8" = 1'-0" (PATIENT SEATING)



7 ELEVATION
A31 SCALE: 1/8" = 1'-0" (PATIENT SVCS)

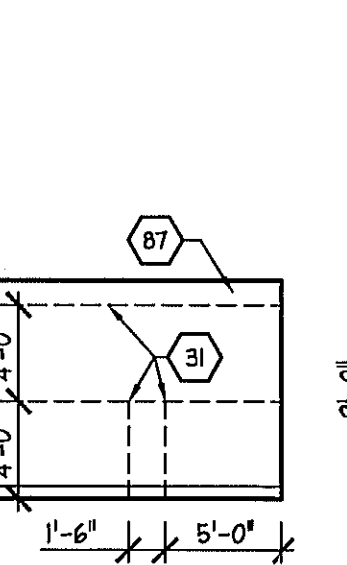
8 ELEVATION
A31 SCALE: 1/8" = 1'-0" (PATIENT SVCS)



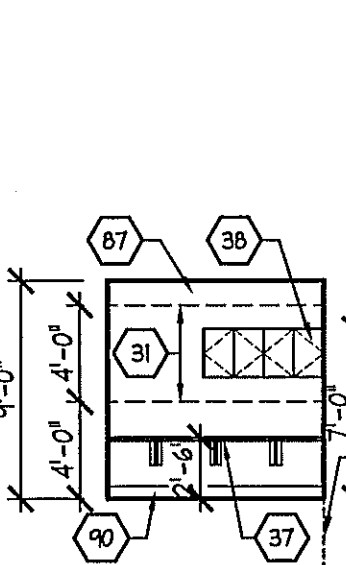
9 ELEVATION
A31 SCALE: 1/8" = 1'-0" (PATIENT SEATING)

10 ELEVATION
A31 SCALE: 1/8" = 1'-0" (PATIENT SEATING)

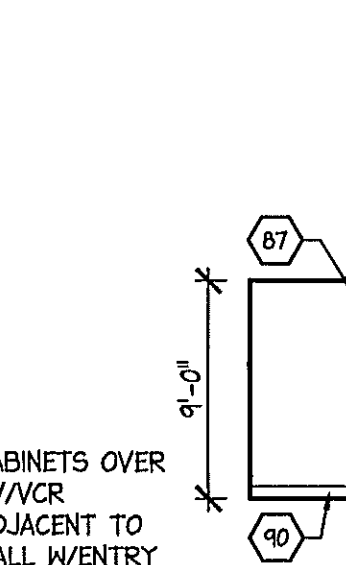
11 ELEVATION
A31 SCALE: 1/8" = 1'-0" (PATIENT SEATING)



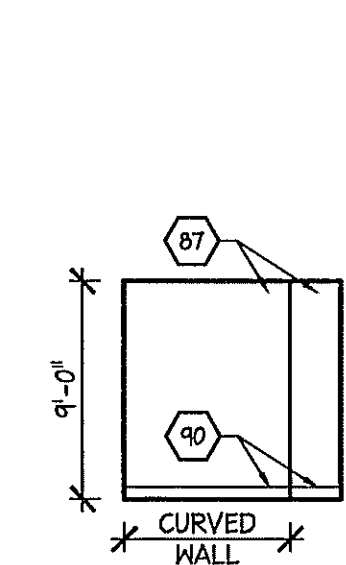
12 ELEVATION
A31 SCALE: 1/8" = 1'-0" (TRAIN'G RM)



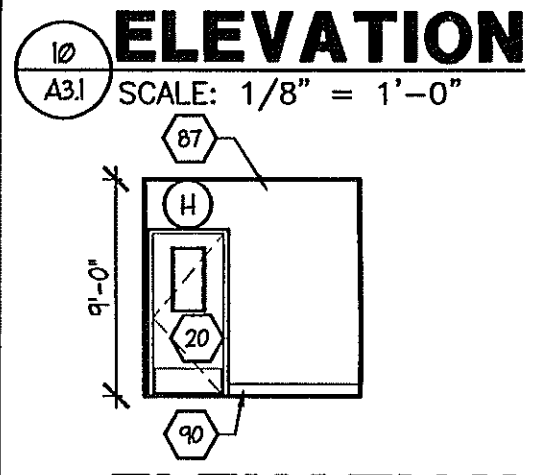
13 ELEVATION
A31 SCALE: 1/8" = 1'-0" (TRAIN'G RM)



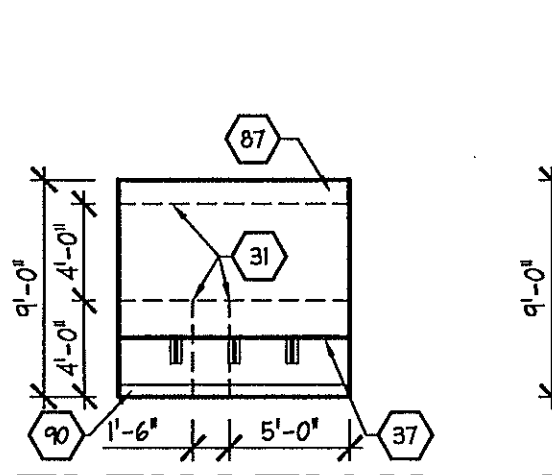
14 ELEVATION
A31 SCALE: 1/8" = 1'-0" (TRAIN'G RM)



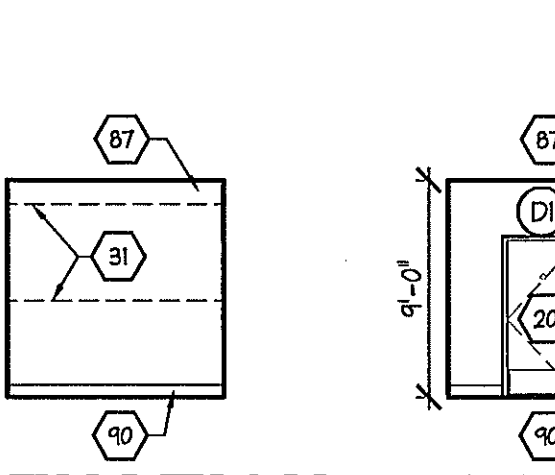
15 ELEVATION
A31 SCALE: 1/8" = 1'-0" (TRAIN'G RM)



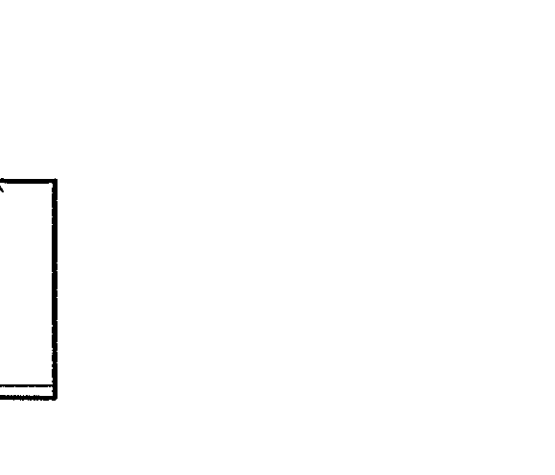
16 ELEVATION
A31 SCALE: 1/8" = 1'-0" (MULTIPURPOSE RM)



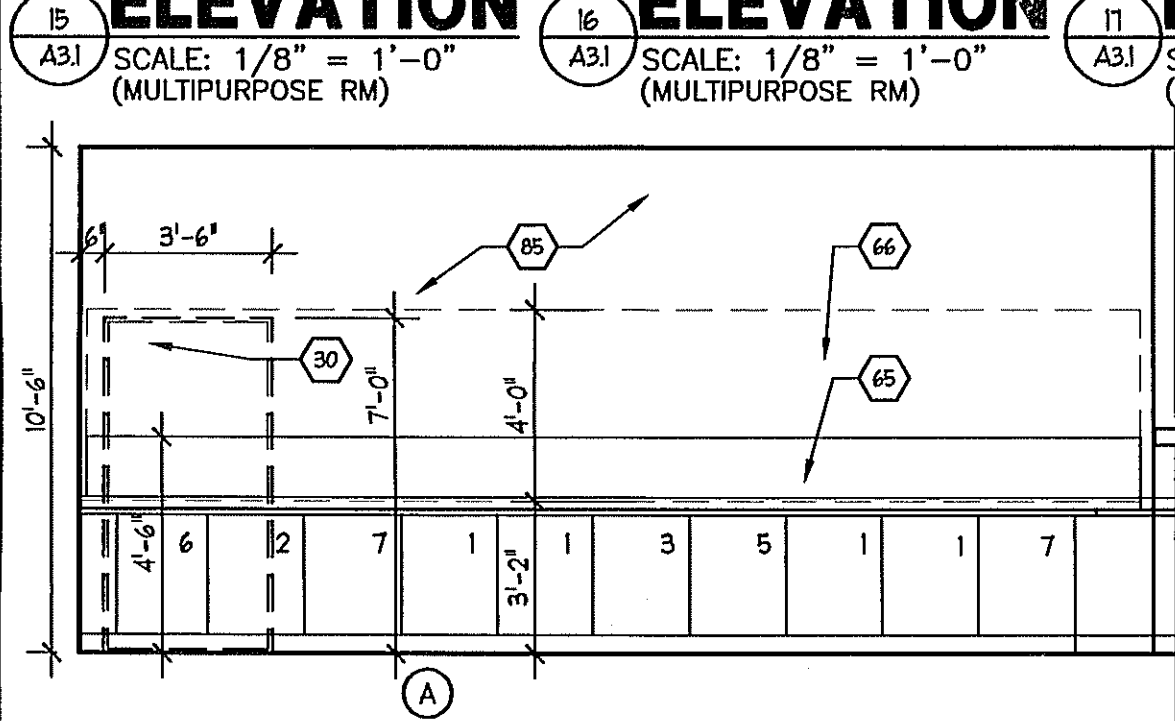
17 ELEVATION
A31 SCALE: 1/8" = 1'-0" (MULTIPURPOSE RM)



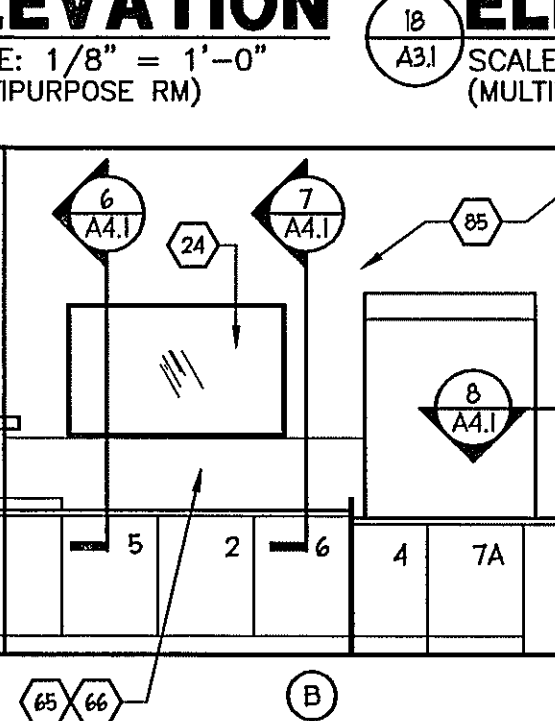
18 ELEVATION
A31 SCALE: 1/8" = 1'-0" (MULTIPURPOSE RM)



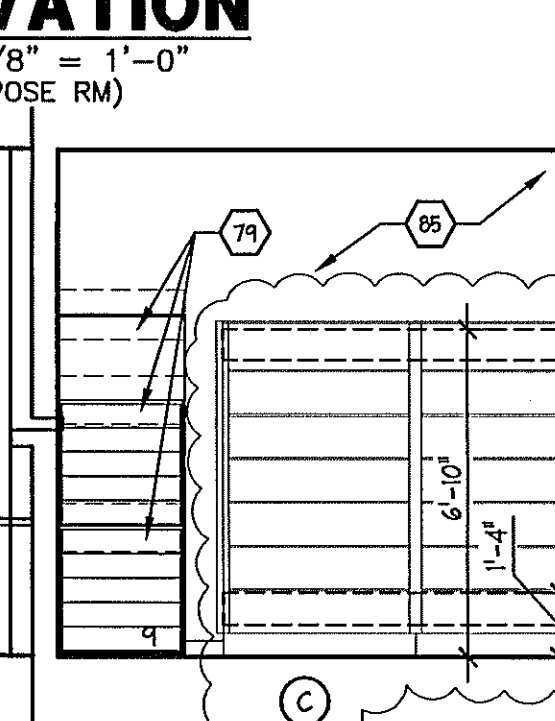
19 ELEVATION
A31 SCALE: 1/8" = 1'-0" (MULTIPURPOSE RM)



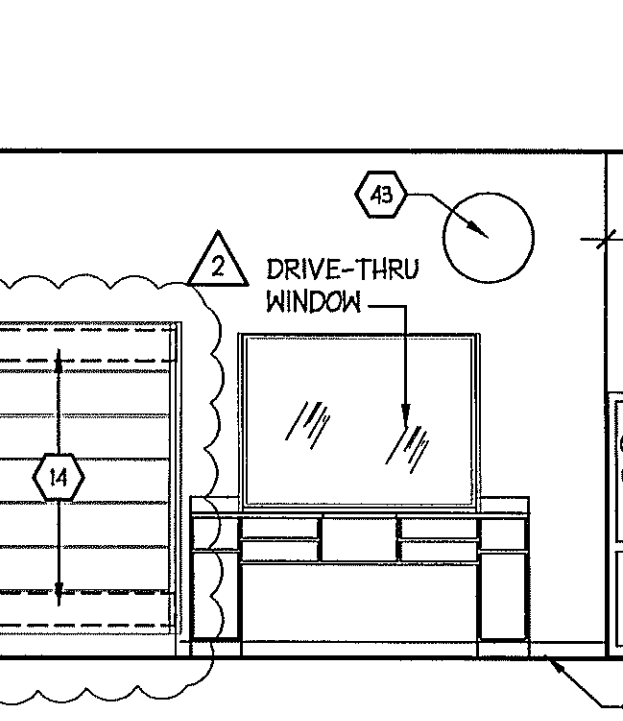
20 ELEVATION
A31 SCALE: 1/4" = 1'-0" (PHARMACY)



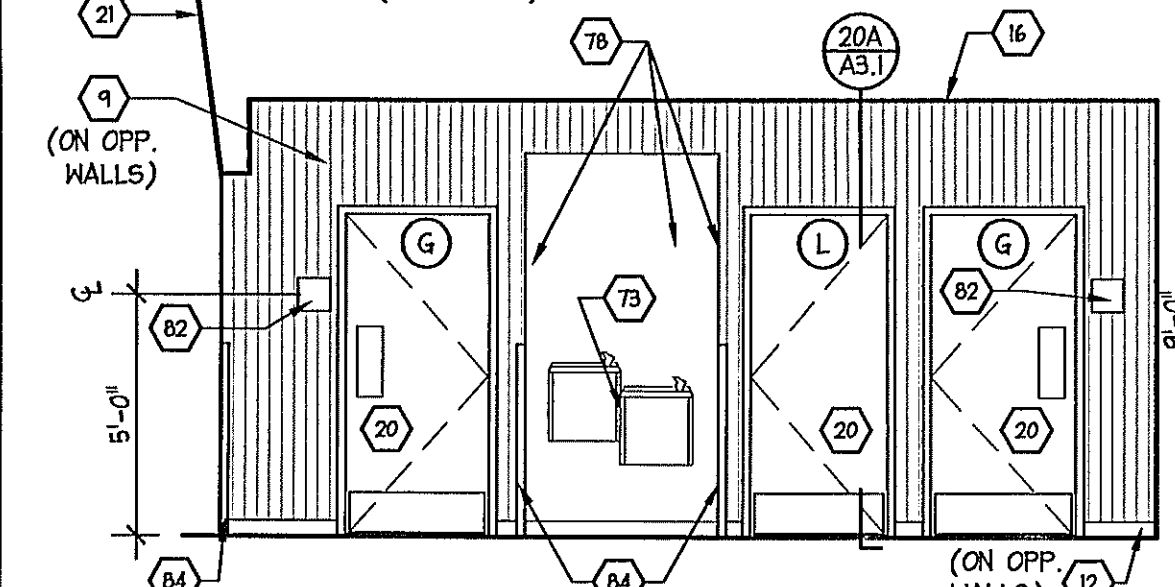
21 ELEVATION
A31 SCALE: 1/4" = 1'-0" (EMPLOYEE RM)



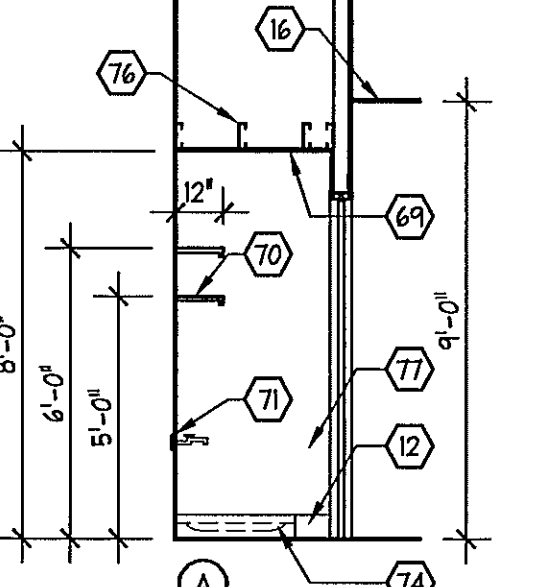
22 ELEVATION
A31 SCALE: 1/4" = 1'-0" (EMPLOYEE RM)



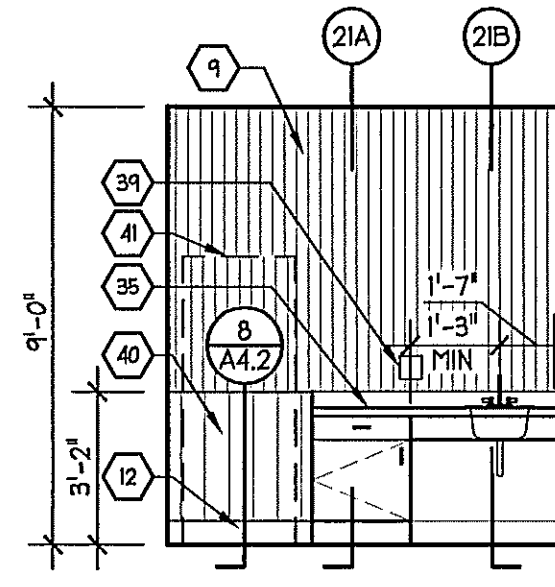
23 ELEVATION
A31 SCALE: 1/4" = 1'-0" (EMPLOYEE RM)



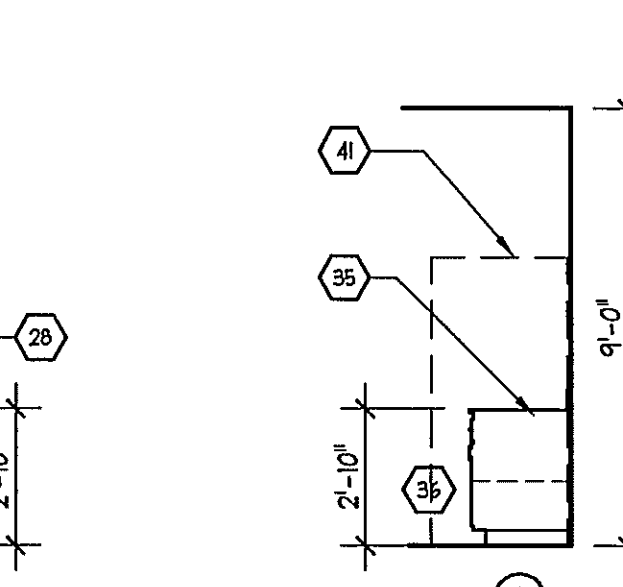
24 ELEVATION
A31 SCALE: 1/4" = 1'-0" (PASSAGE #3)



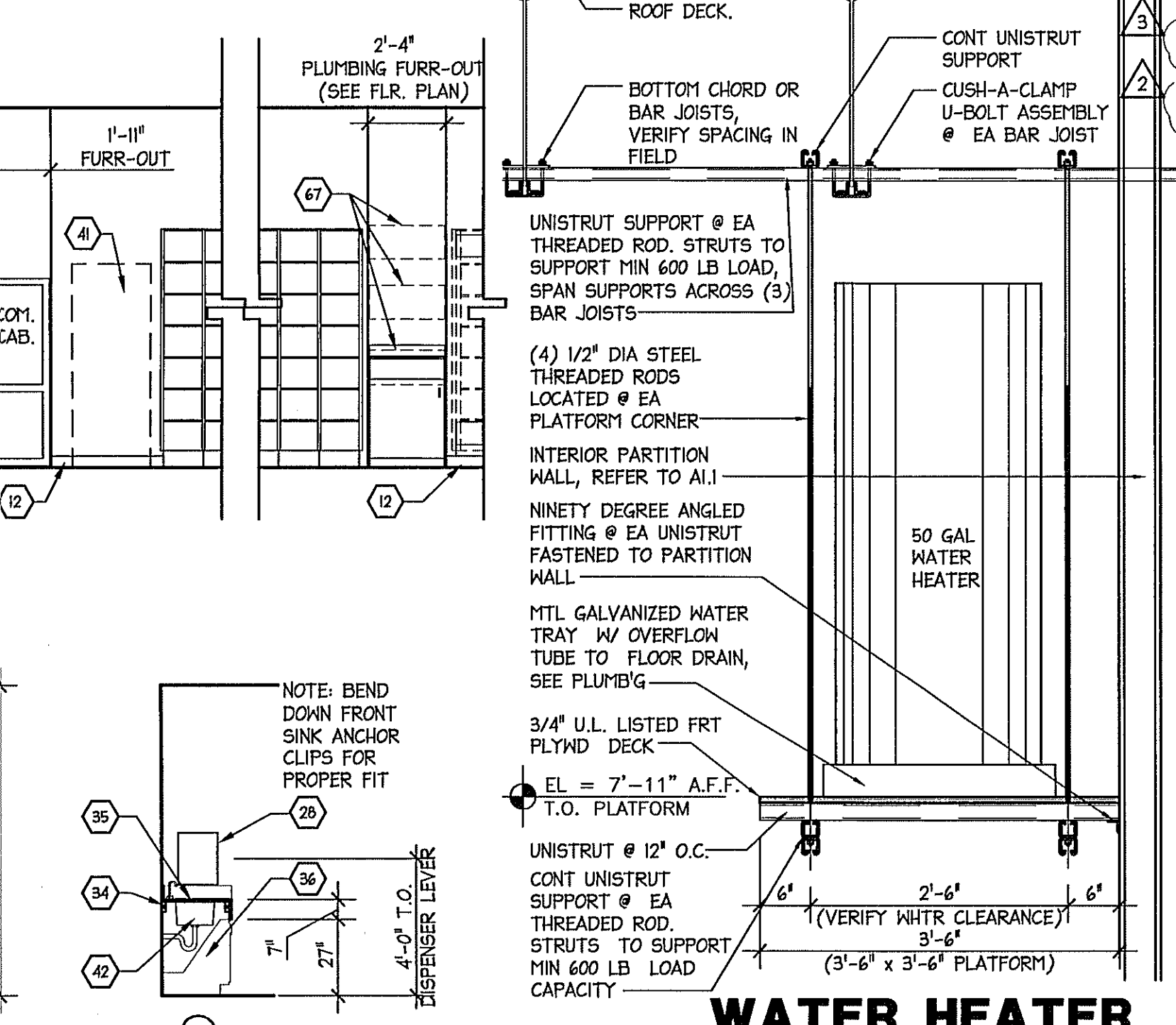
25 ELEVATION
A31 SCALE: 1/4" = 1'-0" (EMPLOYEE RM)



26 ELEVATION
A31 SCALE: 1/4" = 1'-0" (EMPLOYEE RM)



27 ELEVATION
A31 SCALE: 1/4" = 1'-0" (EMPLOYEE RM)



WATER HEATER PLATFORM
A31 SCALE: 3/4" = 1'-0"