

NOTES:

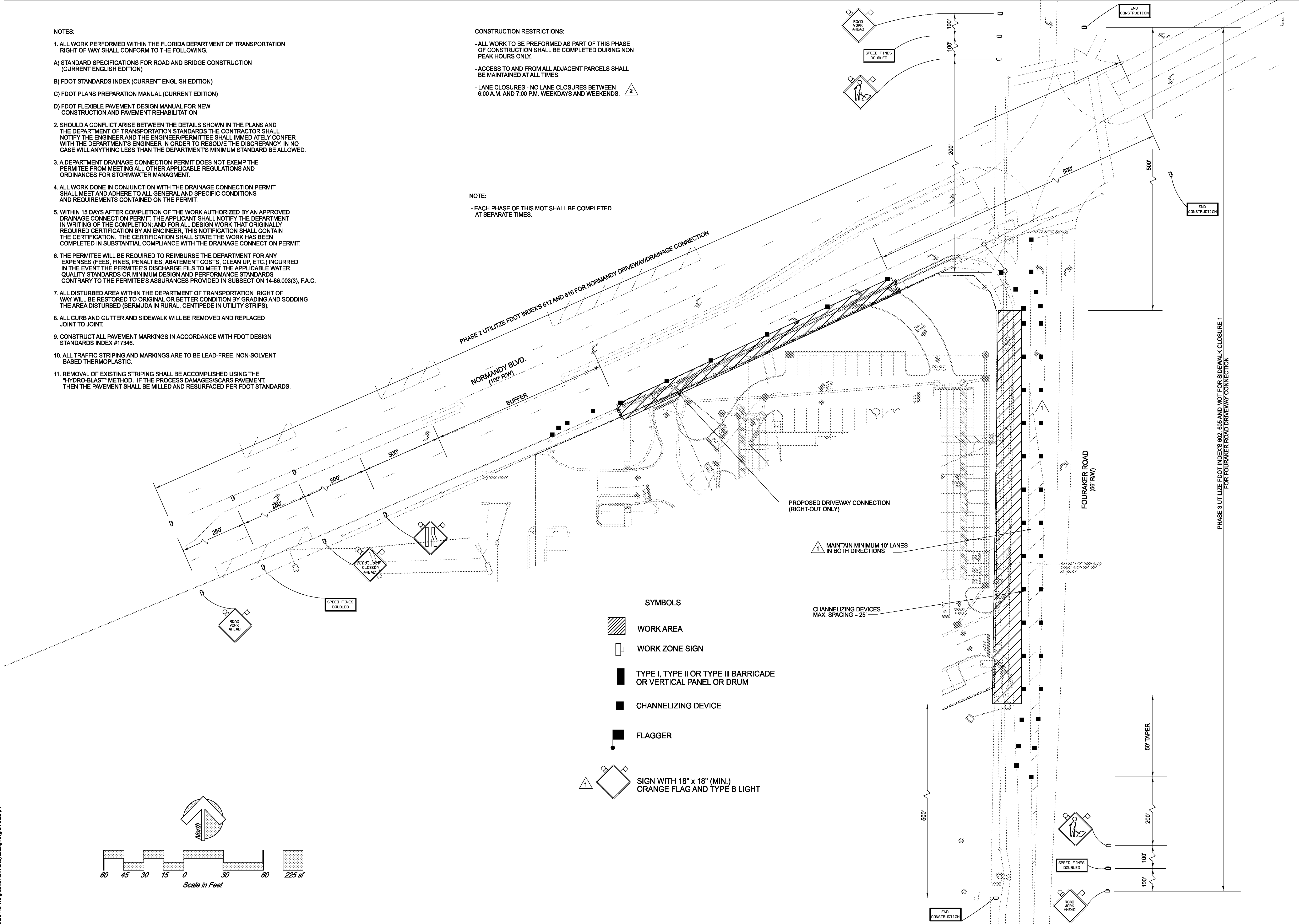
- ALL WORK PERFORMED WITHIN THE FLORIDA DEPARTMENT OF TRANSPORTATION RIGHT OF WAY SHALL CONFORM TO THE FOLLOWING.
 - STANDARD SPECIFICATIONS FOR ROAD AND BRIDGE CONSTRUCTION (CURRENT ENGLISH EDITION)
 - FDOT STANDARDS INDEX (CURRENT ENGLISH EDITION)
 - FDOT PLANS PREPARATION MANUAL (CURRENT EDITION)
 - FDOT FLEXIBLE PAVEMENT DESIGN MANUAL FOR NEW CONSTRUCTION AND PAVEMENT REHABILITATION
- SHOULD A CONFLICT ARISE BETWEEN THE DETAILS SHOWN IN THE PLANS AND THE DEPARTMENT OF TRANSPORTATION STANDARDS THE CONTRACTOR SHALL NOTIFY THE ENGINEER AND THE ENGINEER/PERMITEE SHALL IMMEDIATELY CONFER WITH THE DEPARTMENT'S ENGINEER IN ORDER TO RESOLVE THE DISCREPANCY. IN NO CASE WILL ANYTHING LESS THAN THE DEPARTMENT'S MINIMUM STANDARD BE ALLOWED.
- A DEPARTMENT DRAINAGE CONNECTION PERMIT DOES NOT EXEMP THE PERMITEE FROM MEETING ALL OTHER APPLICABLE REGULATIONS AND ORDINANCES FOR STORMWATER MANAGMENT.
- ALL WORK DONE IN CONJUNCTION WITH THE DRAINAGE CONNECTION PERMIT SHALL MEET AND ADHERE TO ALL GENERAL AND SPECIFIC CONDITIONS AND REQUIREMENTS CONTAINED ON THE PERMIT.
- WITHIN 15 DAYS AFTER COMPLETION OF THE WORK AUTHORIZED BY AN APPROVED DRAINAGE CONNECTION PERMIT, THE APPLICANT SHALL NOTIFY THE DEPARTMENT IN WRITING OF THE COMPLETION; AND FOR ALL DESIGN WORK THAT ORIGINALLY REQUIRED CERTIFICATION BY AN ENGINEER, THIS NOTIFICATION SHALL CONTAIN THE CERTIFICATION. THE CERTIFICATION SHALL STATE THE WORK HAS BEEN COMPLETED IN SUBSTANTIAL COMPLIANCE WITH THE DRAINAGE CONNECTION PERMIT.
- THE PERMITEE WILL BE REQUIRED TO REIMBURSE THE DEPARTMENT FOR ANY EXPENSES (FEES, FINES, PENALTIES, ABATEMENT COSTS, CLEAN UP, ETC.) INCURRED IN THE EVENT THE PERMITEE'S DISCHARGE FILS TO MEET THE APPLICABLE WATER QUALITY STANDARDS OR MINIMUM DESIGN AND PERFORMANCE STANDARDS CONTRARY TO THE PERMITEE'S ASSURANCES PROVIDED IN SUBSECTION 14-86.003(3), F.A.C.
- ALL DISTURBED AREA WITHIN THE DEPARTMENT OF TRANSPORTATION RIGHT OF WAY WILL BE RESTORED TO ORIGINAL OR BETTER CONDITION BY GRADING AND SODDING THE AREA DISTURBED (BERMUDA IN RURAL, CENTIPEDE IN UTILITY STRIPS).
- ALL CURB AND GUTTER AND SIDEWALK WILL BE REMOVED AND REPLACED JOINT TO JOINT.
- CONSTRUCT ALL PAVEMENT MARKINGS IN ACCORDANCE WITH FDOT DESIGN STANDARDS INDEX #17346.
- ALL TRAFFIC STRIPING AND MARKINGS ARE TO BE LEAD-FREE, NON-SOLVENT BASED THERMOPLASTIC.
- REMOVAL OF EXISTING STRIPING SHALL BE ACCOMPLISHED USING THE "HYDRO-BLAST" METHOD. IF THE PROCESS DAMAGES/SCARS PAVEMENT, THEN THE PAVEMENT SHALL BE MILLED AND RESURFACED PER FDOT STANDARDS.

CONSTRUCTION RESTRICTIONS:

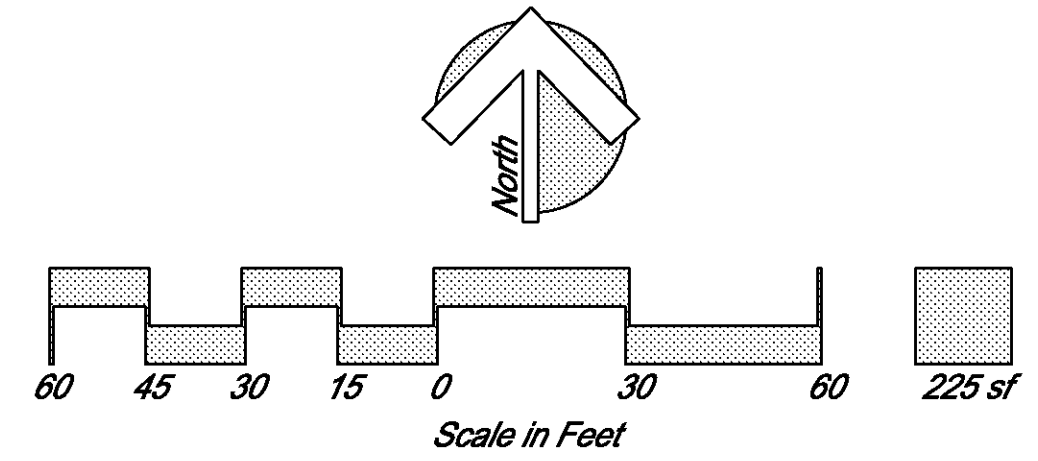
- ALL WORK TO BE PREFORMED AS PART OF THIS PHASE OF CONSTRUCTION SHALL BE COMPLETED DURING NON PEAK HOURS ONLY.
- ACCESS TO AND FROM ALL ADJACENT PARCELS SHALL BE MAINTAINED AT ALL TIMES.
- LANE CLOSURES - NO LANE CLOSURES BETWEEN 6:00 A.M. AND 7:00 P.M. WEEKDAYS AND WEEKENDS.

NOTE:

- EACH PHASE OF THIS MOT SHALL BE COMPLETED AT SEPARATE TIMES.



- SYMBOLS
- WORK AREA
 - WORK ZONE SIGN
 - TYPE I, TYPE II OR TYPE III BARRICADE OR VERTICAL PANEL OR DRUM
 - CHANNELIZING DEVICE
 - FLAGGER
 - SIGN WITH 18" x 18" (MIN.) ORANGE FLAG AND TYPE B LIGHT



Professional Engineer		
Per Walgreens Review Comments	ARA	
Per FDOT Comments	ARA	
Per COJ Comments	ARA	
Date	Initials	
No.	Description	
3	02/05/2010	
2	04/01/2009	
1	01/05/2009	

REVISIONS

MAINTENANCE OF TRAFFIC PLAN

Walgreens
 Jacksonville, Florida
 SWC Fouraker Rd & Normandy Blvd
 Store No. 13450

TAYLOR & WHITE, INC.
 Consulting and Design Engineers
 8936 Meridian Way, Suite 100 - Jacksonville, Florida 32255
 Tel. (904) 346-0071 - Fax (904) 346-3051 - Toll Free (877) 426-4440
 www.taylorandwhite.com

Scale: 1"=30'
 Project Manager: DGT
 Designer: AA
 Drawn by: AA
 Certificate of Authorization: 7298
 Key Map

Project No.: 08140.07
 Date: November 2008
 Sheet No.: C3.2

NOT RELEASED FOR CONSTRUCTION BY