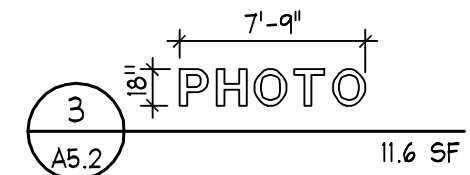
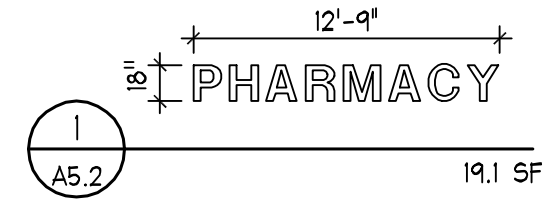


CHANNEL LETTER L.E.D. SIGNS

■ BRONZE RETURNS W/ LIGHT BACKGROUND.
 □ WHITE RETURNS W/ DARK BACKGROUND.

RED #2793 PLEXIGLAS FACE HELVETICA MEDIUM CHANNEL LETTERS. PRE-FINISHED METAL, ALUMINUM FILLER. BACKS OF LETTERS .125 ALUMINUM PLATE.

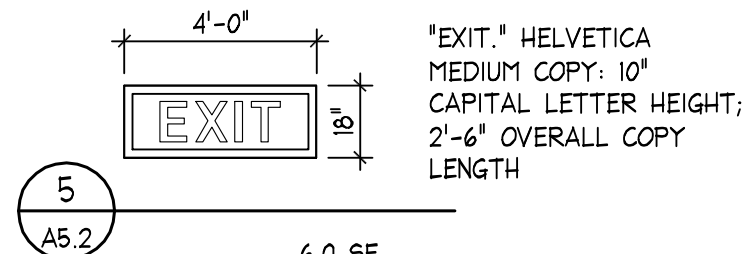
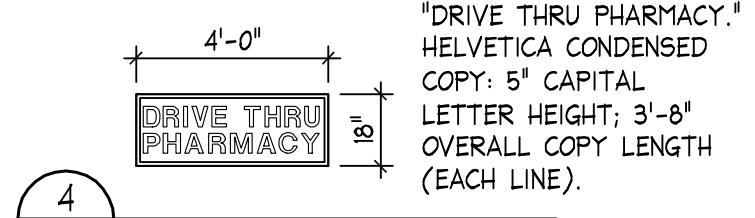
FOR ELECTRICAL DATA & DETAIL SEE ELECTRICAL DRAWINGS.



BOX SIGN W/ L.E.D. ILLUMINATION

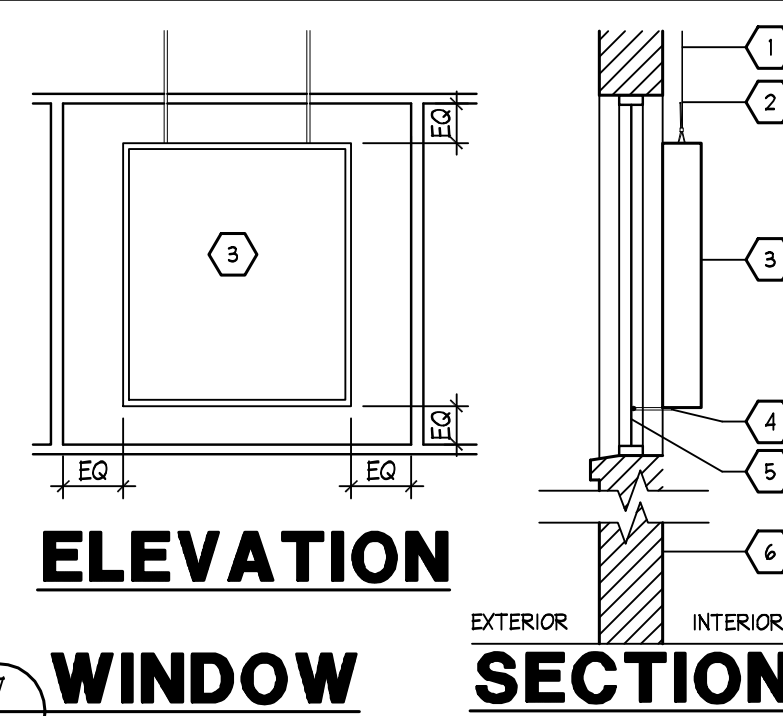
SIGN CABINETS FROM .040" THICK DARK BRONZE FINISH ALUMINUM WITH .050" THICK ALUMINUM BACKING, 1"x1/8" DARK BRONZE TRIM CAP.

SIGN FACES: #7328 WHITE IMPACT RESISTANT DR ACRYLIC WITH 3M #3630-53 "CARDINAL RED" SURFACE APPLIED VINYL FILM BACKGROUND; COPY TO REMAIN WHITE.



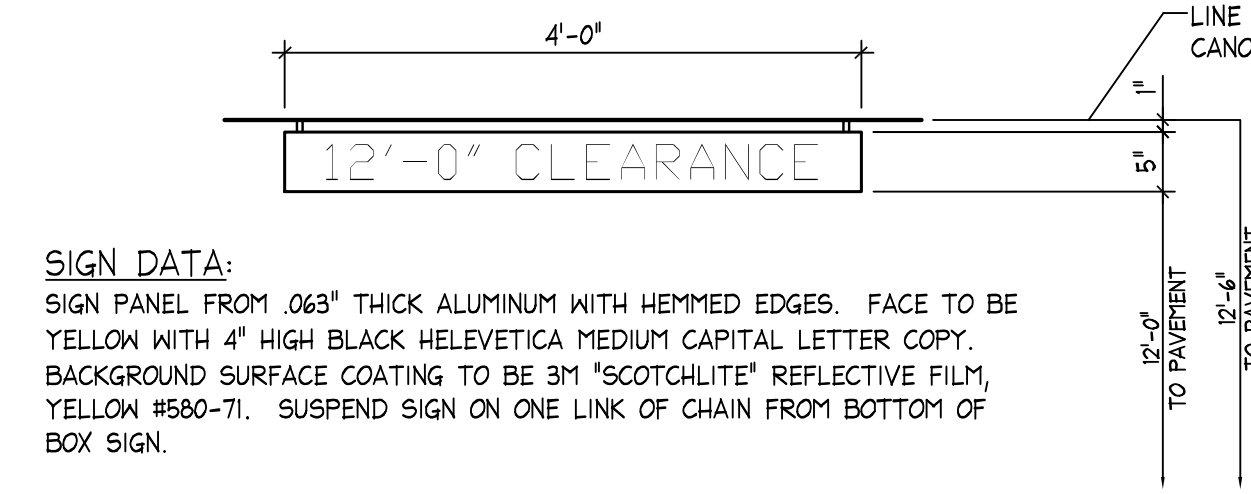
WINDOW SIGN INSTALLATION DETAILS

- 1 ELECTRONIC POWER SUPPLY CABLE TO RUN CONCEALED BEHIND OR WITHIN WINDOW MULLIONS WHERE POSSIBLE.
- 2 STAINLESS STEEL SUSPENSION CABLE TO CEILING STRUCTURE AS UNOBTRUSIVELY AS POSSIBLE.
- 3 ILLUMINATED SIGN.
- 4 TRANSPARENT STAND-OFF BUM WITH RUBBER TIP AS REQUIRED.
- 5 WINDOW GLASS SURFACE.
- 6 WALL CONSTRUCTION.



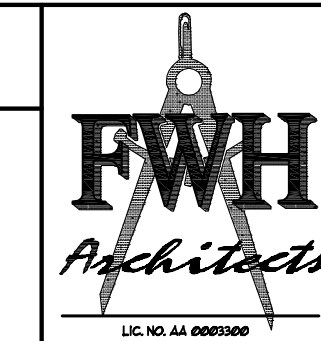
ELEVATION WINDOW SECTION
 SCALE: 3/8" = 1'-0"

CLEARANCE SIGN



SIGN DATA:
 SIGN PANEL FROM .063" THICK ALUMINUM WITH HEMMED EDGES. FACE TO BE YELLOW WITH 4" HIGH BLACK HELVETICA MEDIUM CAPITAL LETTER COPY. BACKGROUND SURFACE COATING TO BE 3M "SCOTCHLITE" REFLECTIVE FILM, YELLOW #580-71. SUSPEND SIGN ON ONE LINK OF CHAIN FROM BOTTOM OF BOX SIGN.

CLEARANCE SIGN
 SCALE: 3/4" = 1'-0"



FWH Architects, Inc.
 3336 Grand Blvd, Suite 102
 Holiday, Florida 34690
 Ph. 727. 815. 3336
 Fax 727. 815. 3337

PROJECT TYPE

DRAWINGS/SPECIFICATIONS BY:
 WALGREENS' CONSULTANT
 LANDLORD'S CONSULTANT

CONSTRUCTION WORK BY: (UNLESS NOTED OTHERWISE)
 WALGREENS' CONTRACTOR
 LANDLORD'S CONTRACTOR (TURNKEY CONSTRUCTION)

STORE BUILDING

NEW.....
 REMODELING...
 RELOCATION...
 OTHER.....

NEW.....
 EXISTING.....
 NEW SHELL ONLY

WORK RESPONSIBILITY

ALL EXTERIOR BUILDING SIGNS SHALL BE FURNISHED AND INSTALLED BY WALGREENS SIGN CONTRACTOR.

ALL OTHER RELATED WORK INCLUDING SIGN SUPPORTS AND ELECTRICAL POWER SUPPLY SHALL BE PER SIGN SPECIFICATIONS - THIS SHEET.

ALL FINAL CONNECTIONS MADE BY SIGN CONTRACTOR.

NATIONAL ACCOUNTS

SIGN ASSEMBLY AND EXPEDITOR
 ICON-MIDWEST 800-633-8181

ELECTRONIC READERBOARD MANUFACTURER
 HIITECH: ASSIGNED TO THE STATES OF ALABAMA, FLORIDA, GEORGIA, KENTUCKY, NORTH CAROLINA, PUERTO RICO, SOUTH CAROLINA, TENNESSEE, VIRGINIA, AND WEST VIRGINIA
 DAKTRONICS: ASSIGNED TO THE STATES OF AZ, CA, NV, NY, OK, TX AND UT

LED ILLUMINATION FOR WALL LETTERS: SLOAN

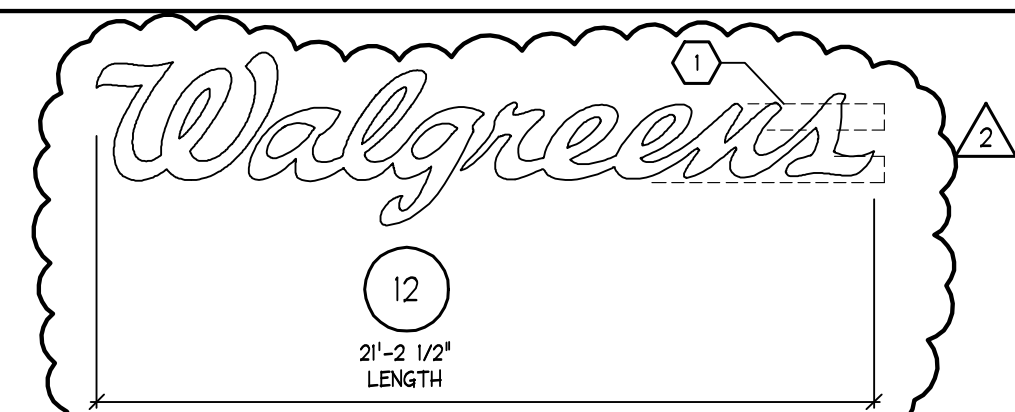


BANNER BY WALGREENS SIGN MANUFACTURER

CONSTRUCTION SIGNS

9/A5.2 N.T.S.

CHANNEL LETTER L.E.D. SIGN DETAILS



WHEN 2X BLOCKING IS USED, BLOCKING OUT-TO-OUT DIMENSION IS EQUAL TO THE LOWER CASE DIMENSION.

RED SCRIPT SIGN DATA

LENGTH	LOWER CASE LETTER	CAPITAL LETTER	TOP W	AREA SQUARE FEET	WEIGHT
2'-2 1/2"	24.25"	42.25"	56.5"	99.86	105

EXTERIOR SCRIPT SIGN KEYED NOTES

- 1 SIGN SUPPORTS - GENERAL CONTRACTOR SHALL FURNISH & INSTALL SUPPORTS WHERE STUD TYPE FRAMING OCCURS. BACK SIDE OF WALL SHALL REMAIN OPEN UNTIL ALL ELECTRICAL & SIGN WORK IS COMPLETED. REFERENCE: SPECIFICATIONS ON THIS SHEET.
 - 2 CONDUIT & HOUSING THRU WALL - SIGN CONTRACTOR SHALL BE RESPONSIBLE FOR LOCATION AND INSTALLATION THRU WALL. REFERENCE: SPECIFICATIONS ON THIS SHEET.
 - 3 EXPANSION ANCHOR TOGGLE OR EPOXIED STUD TO ANCHOR "L" CLIP TO WALL SURFACE. USE CLEAR SEALANT AT BUILDING FACE.
 - 4 .063 ALUMINUM FILLER - REFLECTIVE EXTERIOR (COLOR AS SPECIFIED BELOW) OF LETTER, AND REFLECTIVE WHITE INTERIOR.
 ■ BRONZE RETURNS.
 □ WHITE RETURNS.
 - 5 3/16" PLEXIGLAS.
 - 6 RED FLAT TOP L.E.D. ILLUMINATION SEGMENT (TELEDYNE).
 - 7 1/25 ALUMINUM BACK.
 - 8 2" X 1-1/2" X 3/16" #6061 ALUM. CHANNEL MOUNTING CLIPS W/ 3/8"-16 HEX HEAD BOLTS W/ NUT AND WASHER.
 - 9 TRIM CAP (1/8" X 1"). COLOR TO MATCH RETURN.
 - 10 SEE ARCHITECTURAL DRAWINGS FOR MATERIAL.
 - 11 WELD-ON 40 AND RESIN BOND.
 - 12 #8 S.S. FLAT HEAD SCREW.
 - 13 PRE-DRILLED 3/8" DIA. DRAIN HOLE W/ SHADOW SCREEN.
 - 14 JUNCTION BOX. SEE ELECT. DRAWINGS.
- NOTE: SEALANTS FOR OPENINGS ARE TO BE COMPATIBLE WITH THE MATERIALS THEY CONTACT. CONSULT FINISH MANUFACTURER FOR RECOMMENDED SEALANTS.

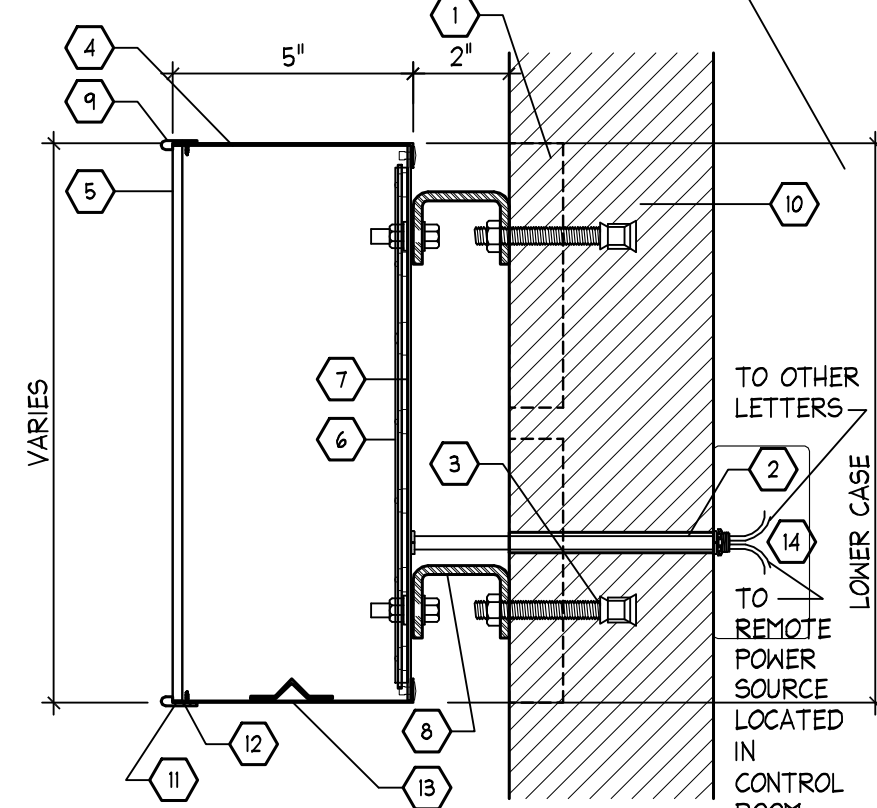
AREA COMPUTATIONS FOR SCRIPT SIGNS

SIGN LENGTH 2'-2 1/2"

99.86 S.F.

TYP SECT - SIGN

SCALE: 3" = 1'-0"

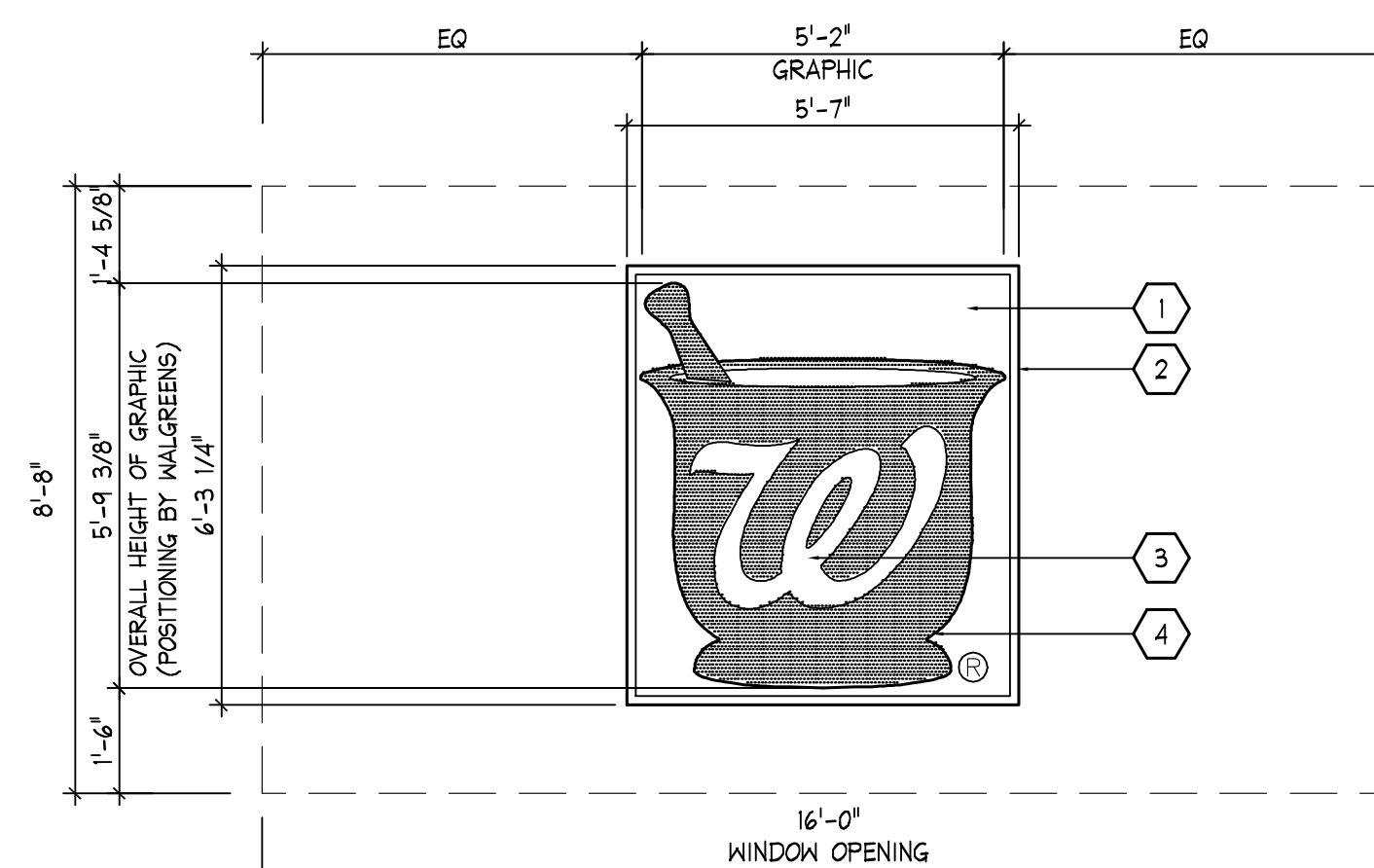


SIGN SPECIFICATION

1. GENERAL CONTRACTOR SHALL:
 - A. THIS CONTRACTOR SHALL COORDINATE ALL WORK. NOTIFY ELECTRICAL CONTRACTOR & SIGN CONTRACTOR AS SOON AS POSSIBLE AFTER THE SIGN WALL OR STRUCTURE IS IN PLACE. GENERAL CONTRACTOR SHALL NOT CLOSE THE BACK SIDE OF WALL UNTIL ELECTRICAL CONTRACTOR & SIGN CONTRACTOR HAVE COMPLETED THEIR WORK.
 - B. CONCEALED SIGN SUPPORTS: GENERAL CONTRACTOR SHALL PROVIDE CONCEALED CONTINUOUS WOLMANIZED STRUCTURAL GRADE WOOD SIGN SUPPORTS WHERE STUD OR RAFTER TYPE FRAMING OCCURS.
 1. WHERE SCRIPT SIGNS ARE SHOWN, PROVIDE 2 CONCEALED 2 X 6 MEMBERS AT TOP AND BOTTOM OF SCRIPT FOR ALL SIGNS UP TO 20'-8 3/4". SCRIPT SIGNS OVER 20'-8 3/4", PROVIDE 2 CONCEALED 2 X 8 MEMBERS AT TOP AND BOTTOM OF SIGNS.
 2. N/A.
 3. WHERE INDIVIDUAL LETTER SIGNS ARE SHOWN, PROVIDE 2 CONCEALED 2 X 6 MEMBERS TOP AND BOTTOM OF SIGNS.
2. ELECTRICAL CONTRACTOR:

THIS CONTRACTOR SHALL PROVIDE ONE MAIN ELECTRICAL SERVICE PANEL AND FEEDS TO THE BACK SIDE OF SIGN WALL. ELECTRICAL CONTRACTOR SHALL PROVIDE CONDUIT, FEED AND JUNCTION BOXES ALONG BACK SIDE OF SIGN WALL. PROVIDE JUNCTION BOXES FOR EACH LOCATION APPROXIMATELY WHERE SIGN CONTRACTOR WILL PROVIDE CONDUIT HOUSING THROUGH WALL. PROVIDE ELECTRICAL SERVICE CAPACITIES AND CIRCUITS AS SHOWN ON ELECTRICAL DRAWINGS.
3. SIGN CONTRACTOR:
 - A. FOLLOW DRAWINGS & SPECIFICATIONS OF SIGNS AND USE TEMPLATES OF APPROVED DIMENSIONS, CONTOURS, SHAPES AND WITH ELECTRICAL COMPONENTS & CAPACITIES AS SPECIFIED.
 - B. SIGN CONTRACTOR SHALL FURNISH FOUR SETS OF SHOP DRAWINGS TO WALGREENS FACILITIES PLANNING DEPARTMENT FOR REVIEW AND APPROVAL PRIOR TO FABRICATION.
 - C. SIGN CONTRACTOR SHALL CONSTRUCT SIGN IN COMPLIANCE WITH ALL APPLICABLE CODES AND ORDINANCES, AND ACCORDING TO UNDERWRITERS LABORATORIES SPECIFICATIONS AND TO BEAR U.L. LABELS. SIGN CONTRACTOR SHALL OBTAIN ALL STATE AND MUNICIPAL PERMITS NECESSARY TO INSTALL SIGN(S).
4. SIGN INSTALLATION AT BUILDING FACE WORK BY SIGN CONTRACTOR:
 - A. SIGN CONTRACTOR SHALL ESTABLISH CENTER LINE OF SIGN WALL. MEASURE LOCATION OF EACH ELECTRIC LEAD FROM THE CENTER OUTWARD. PROVIDE 1/2" GALVANIZED CONDUIT AND HOUSING THROUGH 1 1/4" GROUND HOLES. LET THREADED CONDUIT PROJECT THROUGH WALL 1 1/2".
 - B. SIGN CONTRACTOR SHALL PROVIDE A DISCONNECT SWITCH ON EXTERIOR OF SIGN FOR EACH CIRCUIT TO COMPLY WITH STATE AND LOCAL CODES. EACH SIGN SHALL BE ACTIVATED BY APPROVED PHOTO CELL AND TIME SWITCH WITH MANUAL OVERRIDE SWITCH. ELECTRICAL CONTRACTOR TO FURNISH PHOTO CELL, TIME SWITCH, AND MANUAL OVERRIDE SWITCH.

ENTRANCE TOWER MORTAR AND PESTLE PLACEMENT

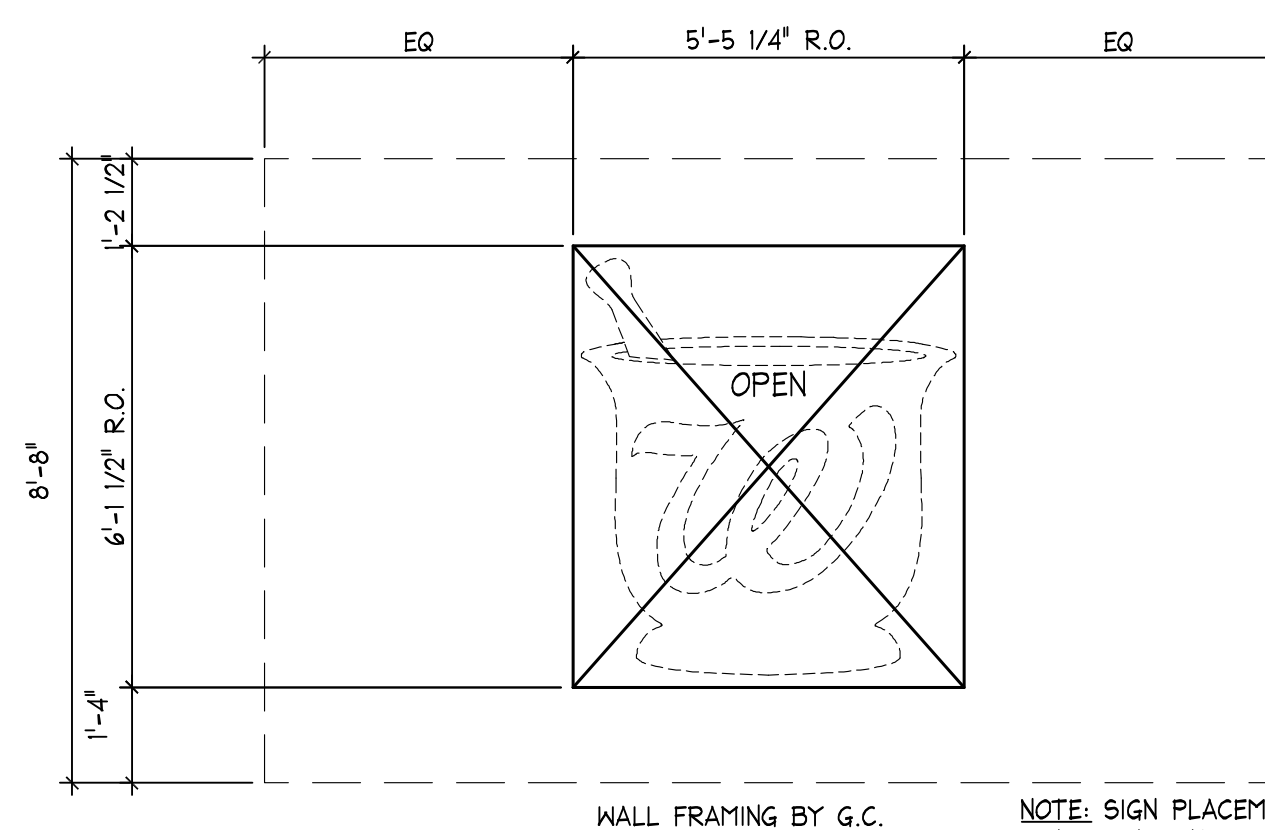


- 1 ALUMINUM PLATE PAINTED TO MATCH BENJAMIN MOORE "DECORATOR'S WHITE".
- 2 FLUORESCENT TUBE HOUSING RECESSED WITHIN WALL.
- 3 ROHM & HAAS #7328 WHITE IMPACT RESISTANT DR ACRYLIC. MORTAR & PESTLE TO BE FORMATTED WITH 3M #3630-53 "CARDINAL RED" SURFACE APPLIED VINYL FILM; INNER SURFACE OF MORTAR AND SCRIPT 'W' TO REMAIN WHITE.
- 4 MORTAR & PESTLE SILHOUETTE TO BE ROUTED FROM ALUMINUM PLATE.

NOTE: MANUFACTURE AND INSTALL ENTRY WAY WALL GRAPHICS FOR ENTRANCE TOWER. BACKGROUND WALL TO BE PAINTED BENJAMIN MOORE "DECORATOR'S WHITE". ALL PER SKETCH TO BE APPROVED BEFORE CONSTRUCTION.

ENTRANCE TOWER DETAIL

SCALE: 3/8" = 1'-0"



WALL OPENINGS LAYOUT

SCALE: 3/8" = 1'-0"

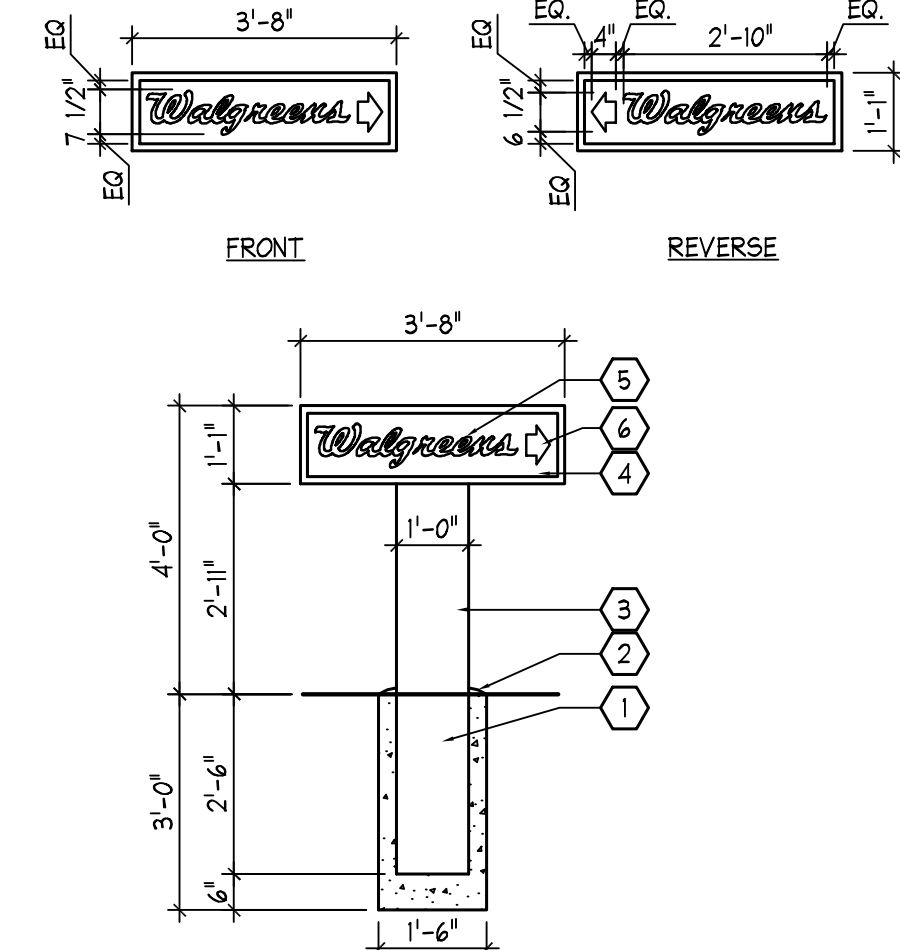


ENTRANCE TOWER SIGN DETAILS

10/A5.2

35 S.F.

DIRECTIONAL ENTER SIGN (FREESTANDING-3.97 S.F.)



SIGN SPECIFICATIONS:

THIS SIGN WORK SHALL CONSIST OF THE MANUFACTURE OF ONE DOUBLED FACED DIRECTIONAL ENTRANCE SIGN AND ITS INSTALLATION AS SHOWN ON THE ATTACHED SITE PLAN. ALL WORK DONE BY WALGREENS.

SIGN AREA: 3.97 S.F.

WALGREENS SCRIPT LOGO IS 23% OF SIGN FACE.

SIGN FACE SUBSTRATE FROM ROHM & HAAS #7328 WHITE IMPACT RESISTANT DR ACRYLIC. 3M #3630-53 "CARDINAL RED" SURFACE APPLIED VINYL FILM. BACKGROUND COPY TO REMAIN WHITE.

*WALGREENS' SCRIPT COPY FOR 10 PANELS:

5 1/2" CAPITAL AND 3 1/4" LOWER CASE HEIGHTS. 7 1/2" OVERALL COPY HEIGHT. 2'-10" OVERALL COPY LENGTH.

SIGN BASE FROM 12" X 6" RECTANGULAR STRUCTURAL STEEL TUBE PAINTED BENJAMIN MOORE IRONCLAD RETARDO RUST INHIBITIVE PAINT #60 BRONZETONE.

SHRUBBERY OR OTHER LANDSCAPE MATERIAL TO BE TRIMMED TO ASSURE VISIBILITY OF DIRECTIONAL SIGN.

SIGN CABINETS FROM .063" THICK DARK BRONZE FINISH ALUMINUM.

INTERNAL C.H.O. FLOURESCENT ILLUMINATION.

ALL DIMENSIONS AND CONDITIONS TO BE VERIFIED IN THE FIELD BY THE SIGN CONTRACTOR PRIOR TO SIGN FABRICATION.

SIGN CONTRACTOR SHALL BE RESPONSIBLE FOR ALL SIGNS COMPLIANCE TO ALL APPLICABLE CODES AND ORDINANCES.

SIGN CONTRACTOR SHALL OBTAIN ALL PERMITS NECESSARY TO INSTALL SIGNS.

SIGN CONTRACTOR SHALL FURNISH TWO (2) SETS OF SHOP DRAWINGS FOR APPROVAL TO THIS OFFICE BEFORE FABRICATION.

ALL SIGNS TO BE FABRICATED ACCORDING TO THE UNDERWRITERS LABORATORIES SPECIFICATIONS AND TO BEAR U.L. LABELS.

PROVIDE DISCONNECT SWITCH ON EXTERIOR OF SIGN FOR EACH CIRCUIT TO COMPLY WITH STATE AND LOCAL CODES.

THIS SIGN IS ILLUMINATED

DIRECTIONAL SIGN

11/A5.2 SCALE: 3/8" = 1'-0"

(3.97 S.F.)

DIRECTIONAL SIGN KEYED NOTES

- 1 12" DIA CONCRETE FOUNDATION, USE SONOTUBE FORM
- 2 PROVIDE PITCH, SMOOTH CONCRETE FINISH
- 3 STEEL TUBE, PAINT DARK BRONZE SATIN FINISH
- 4 3/16" THK #7328 WHITE TRANSLUCENT DR ACRYLIC PANEL WITH 3M #3630-53 "CARDINAL RED" VINYL FILM
- 5 *WALGREENS' SCRIPT COPY, WHITE TRANSLUCENT DR ACRYLIC
- 6 DIRECTION ARROW, WHITE TRANSLUCENT DR ACRYLIC

1		
2	02.05.10	REVISED PER WGS 1ST REVIEW COMMENTS
3		
4		
5		
6		
NO.	DATE	DESCRIPTION
REVISIONS		
CERTIFICATION AND SEAL		

I HEREBY CERTIFY THAT THIS PLAN AND SPECIFICATION WAS PREPARED BY ME OR UNDER MY DIRECT SUPERVISION AND THAT I AM A DULY REGISTERED ARCHITECT OR ENGINEER UNDER THE LAWS OF THE STATE OF FLORIDA AS SIGNIFIED BY MY HAND AND SEAL.

GUY F. FABER
 FL LICENSE NO. AR0016323

PROJECT NAME
STORE #13450 (SWC) OF FOURAKER & NORMANDY JACKSONVILLE, FLORIDA

DRAWING TITLE EXTERIOR SIGN DATA

DATE: 11.30.09	WALGREENS STORE NO. 13450	DRAWING NO.
DRAWN BY: AB	SCALE: AS NOTED	A5.2
REVIEWED BY: SK	RELEASED TO CONSTRUCTION	FWH PROJECT NO. 0913