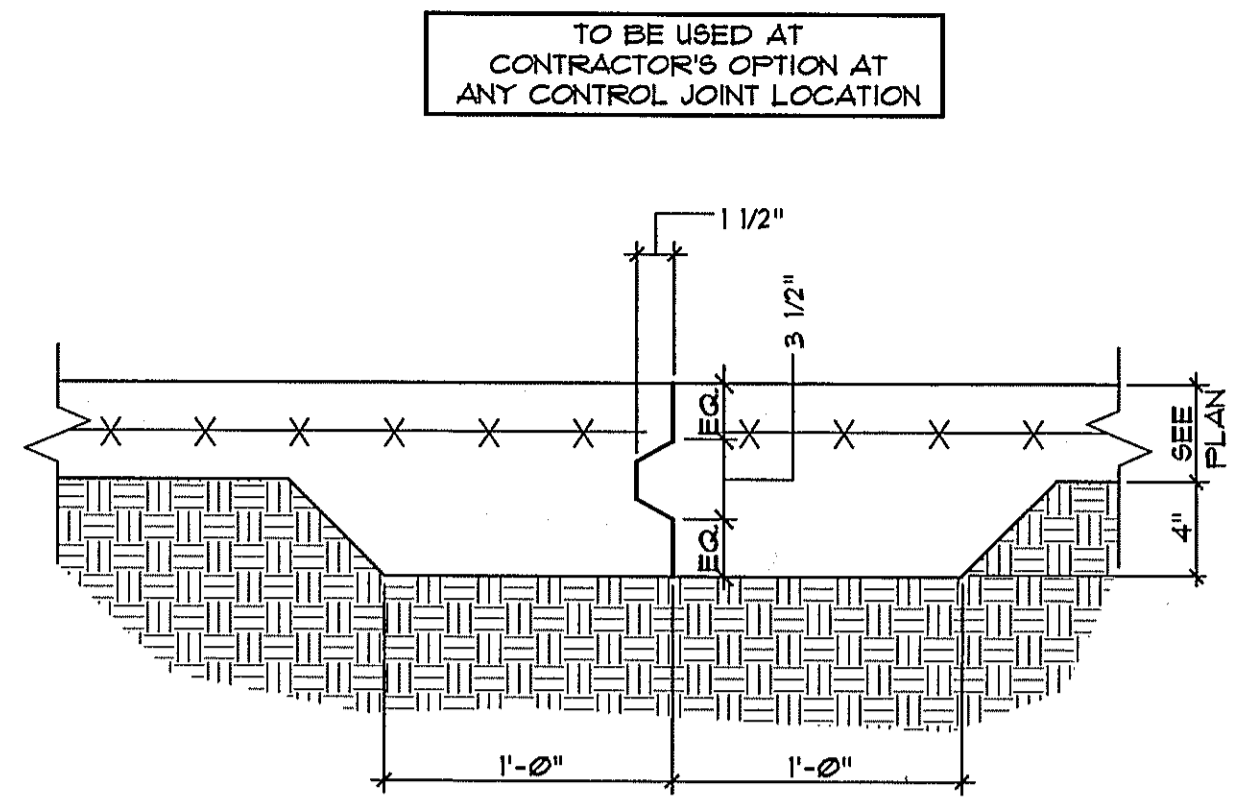
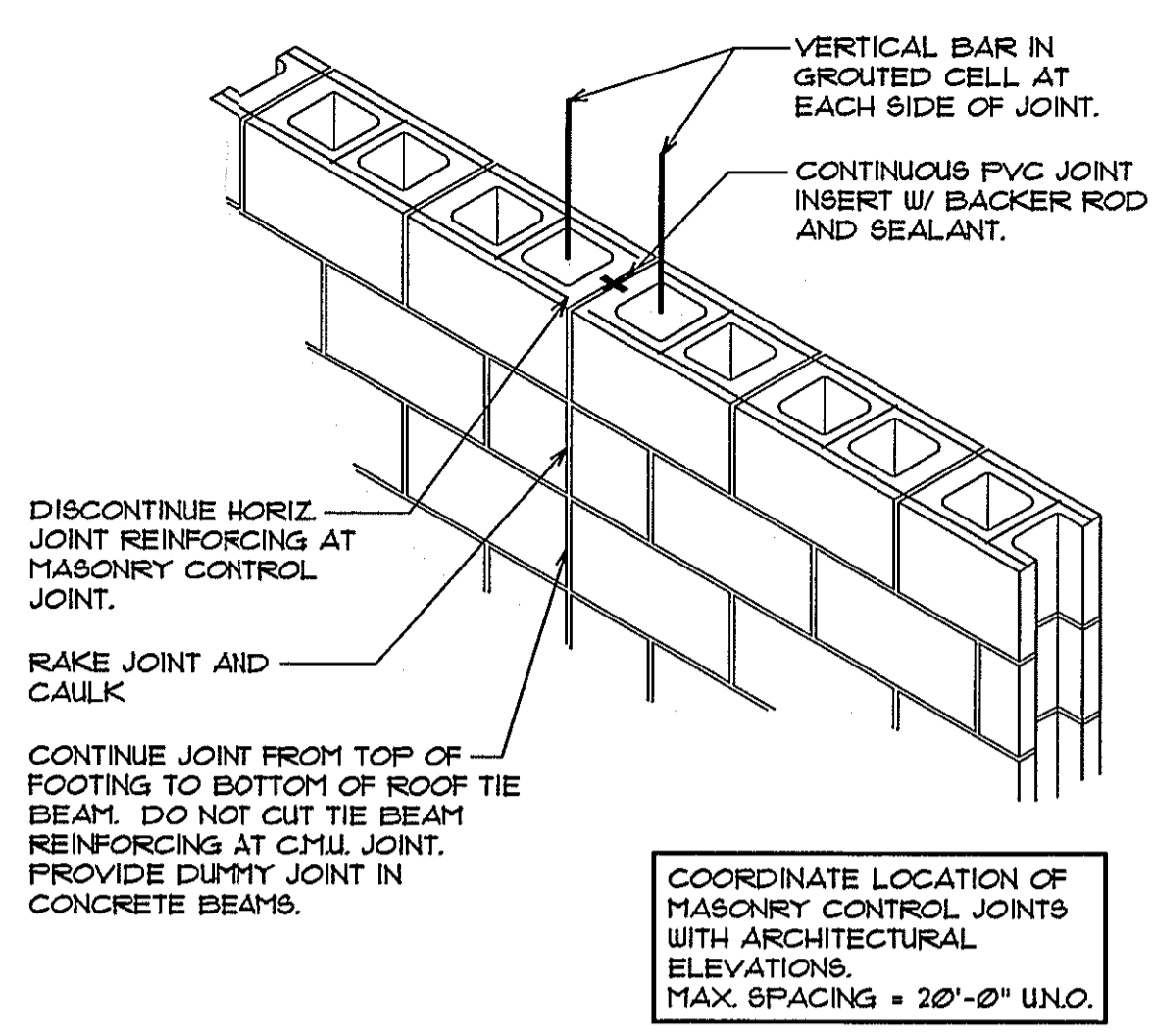


NOTES:
 1. CUT SLAB AS SOON AS AGGREGATE DOES NOT DISLODGE (MUST BE WITHIN 12 HOURS OF CONCRETE PLACEMENT).
 2. HAND TOOL JOINT TO FACE OF WALL WHERE SAW DOES NOT REACH.

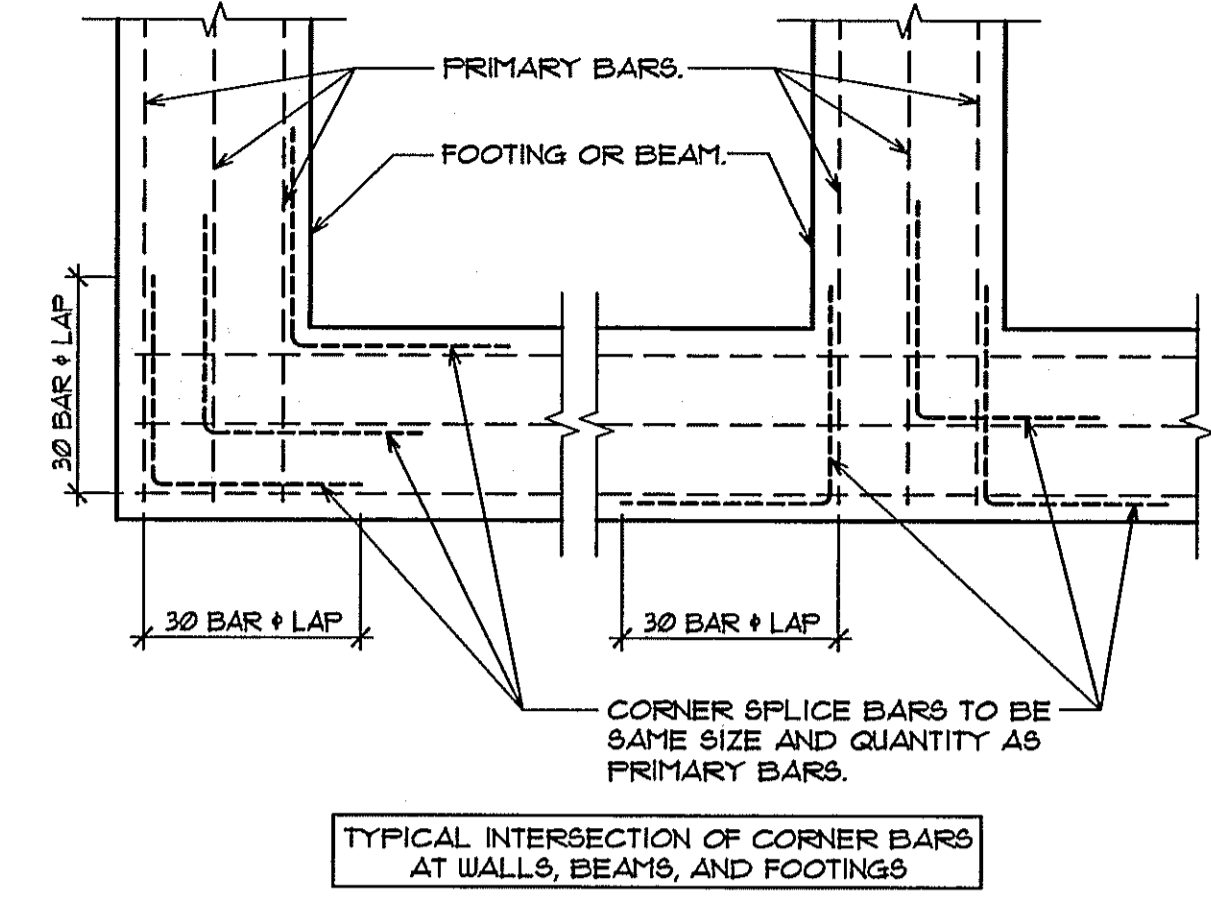
1 CONTROL JOINT (C.J.)
 SCALE: 1 1/2" = 1'-0"



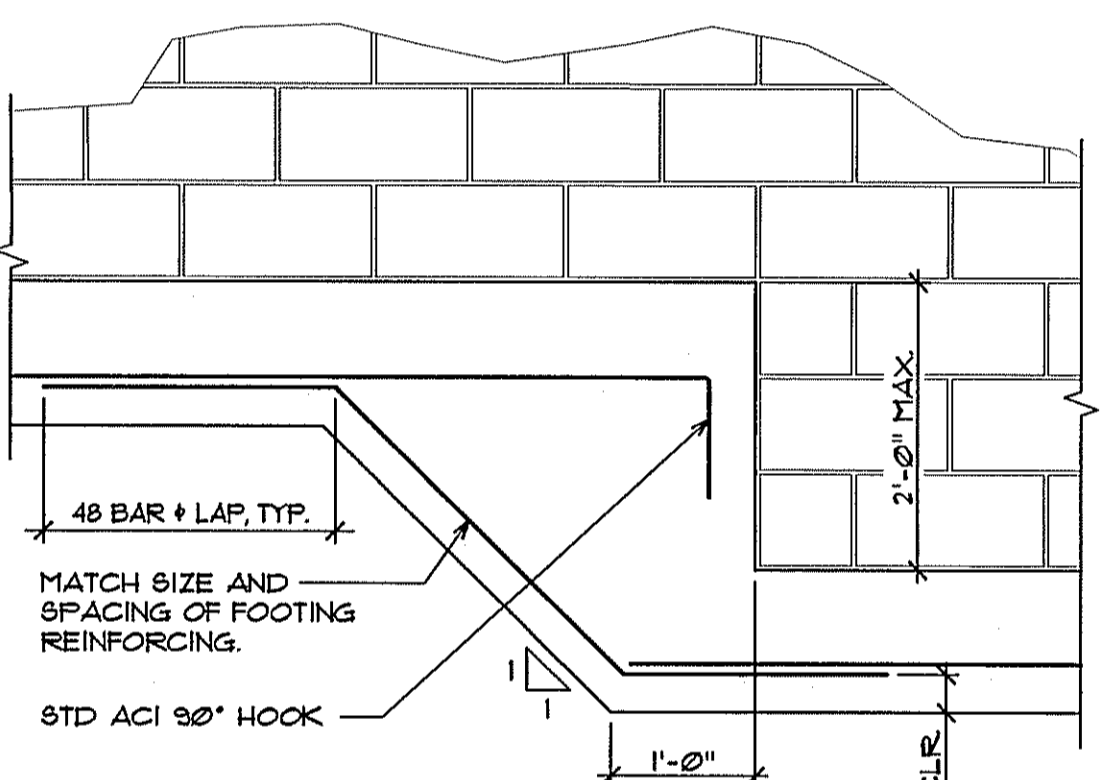
2 CONSTRUCTION JOINT
 SCALE: 1 1/2" = 1'-0"



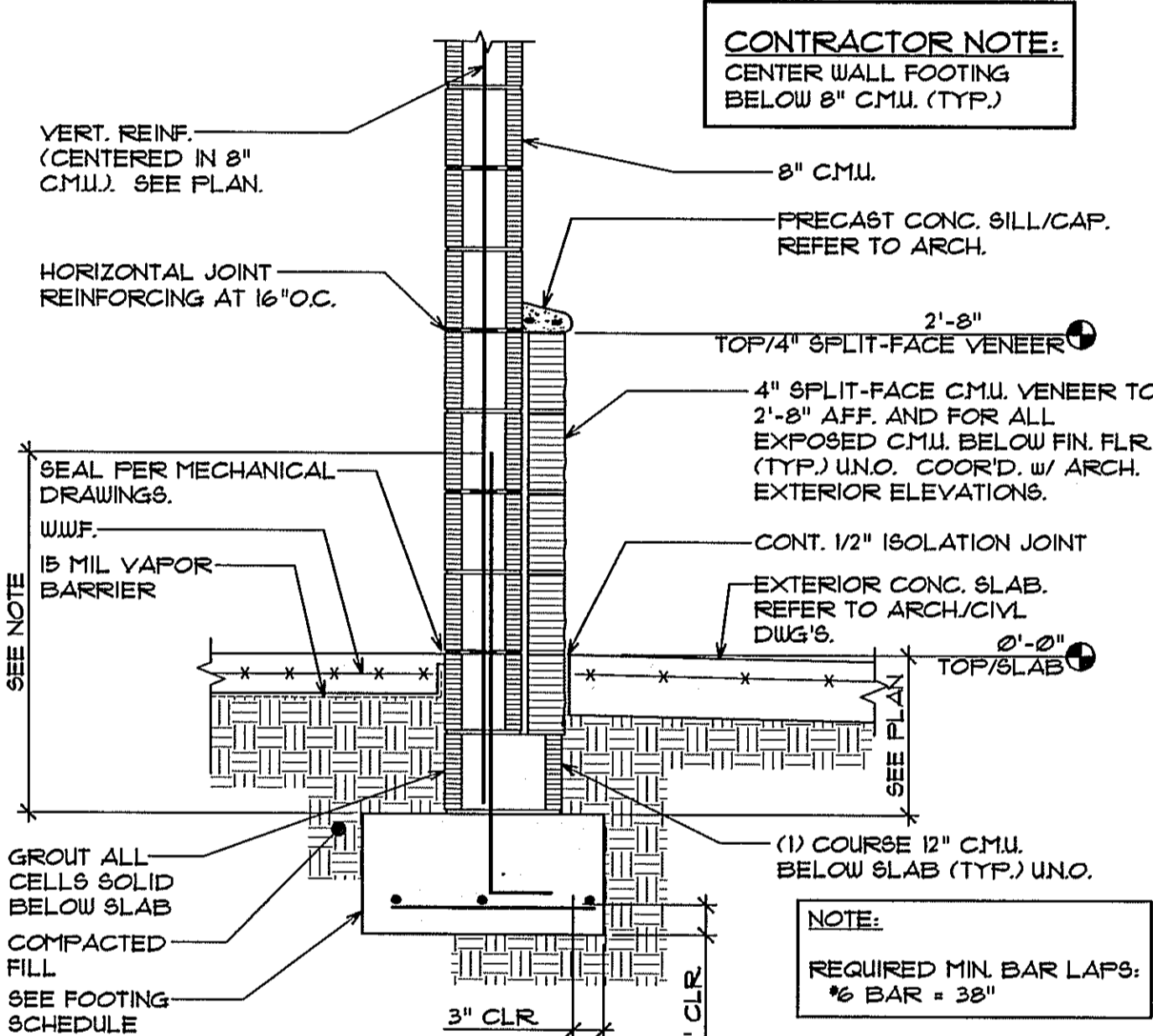
3 MASONRY CONTROL JOINT DETAIL
 SCALE: 1 1/2" = 1'-0"



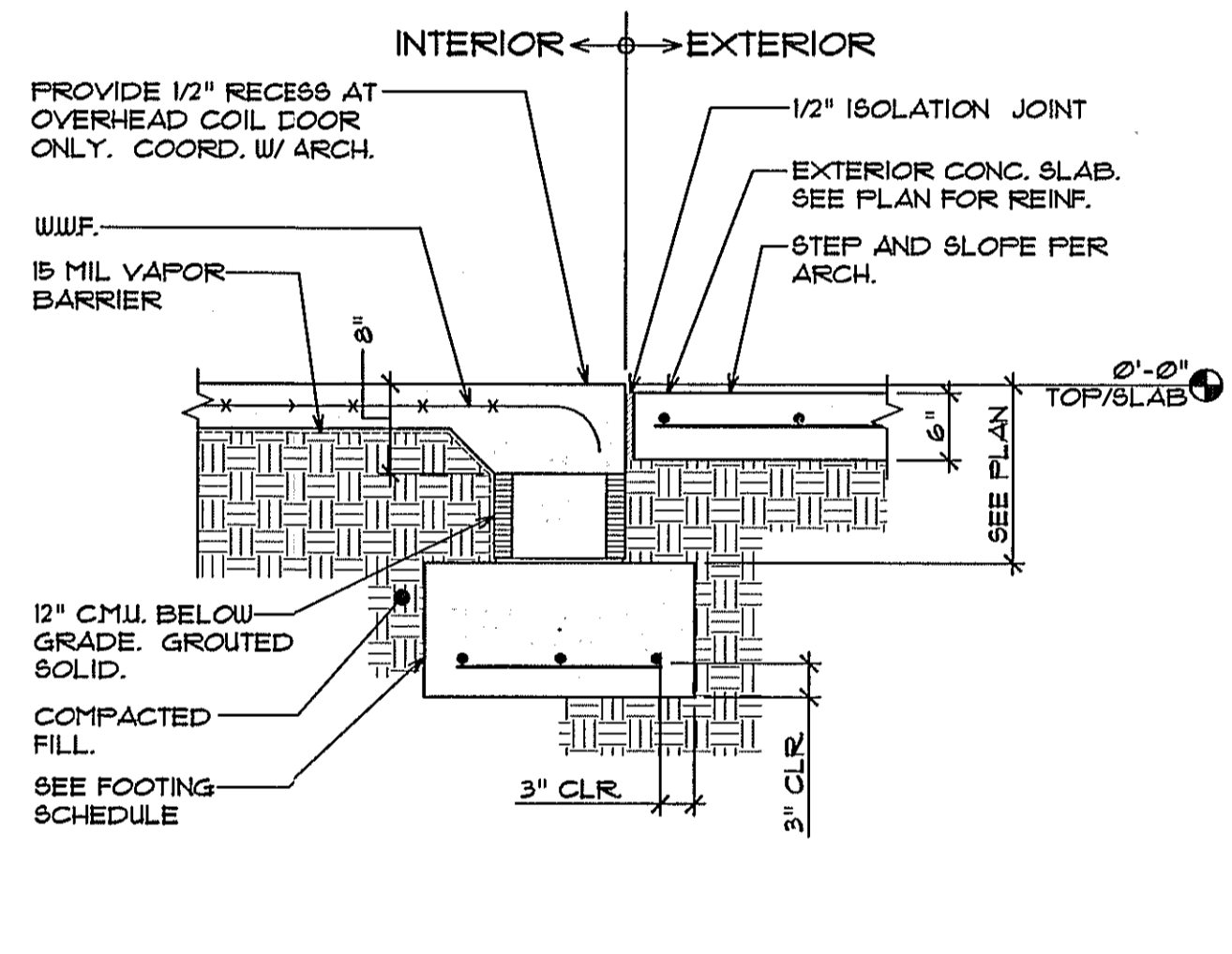
4 DETAIL
 NOT TO SCALE



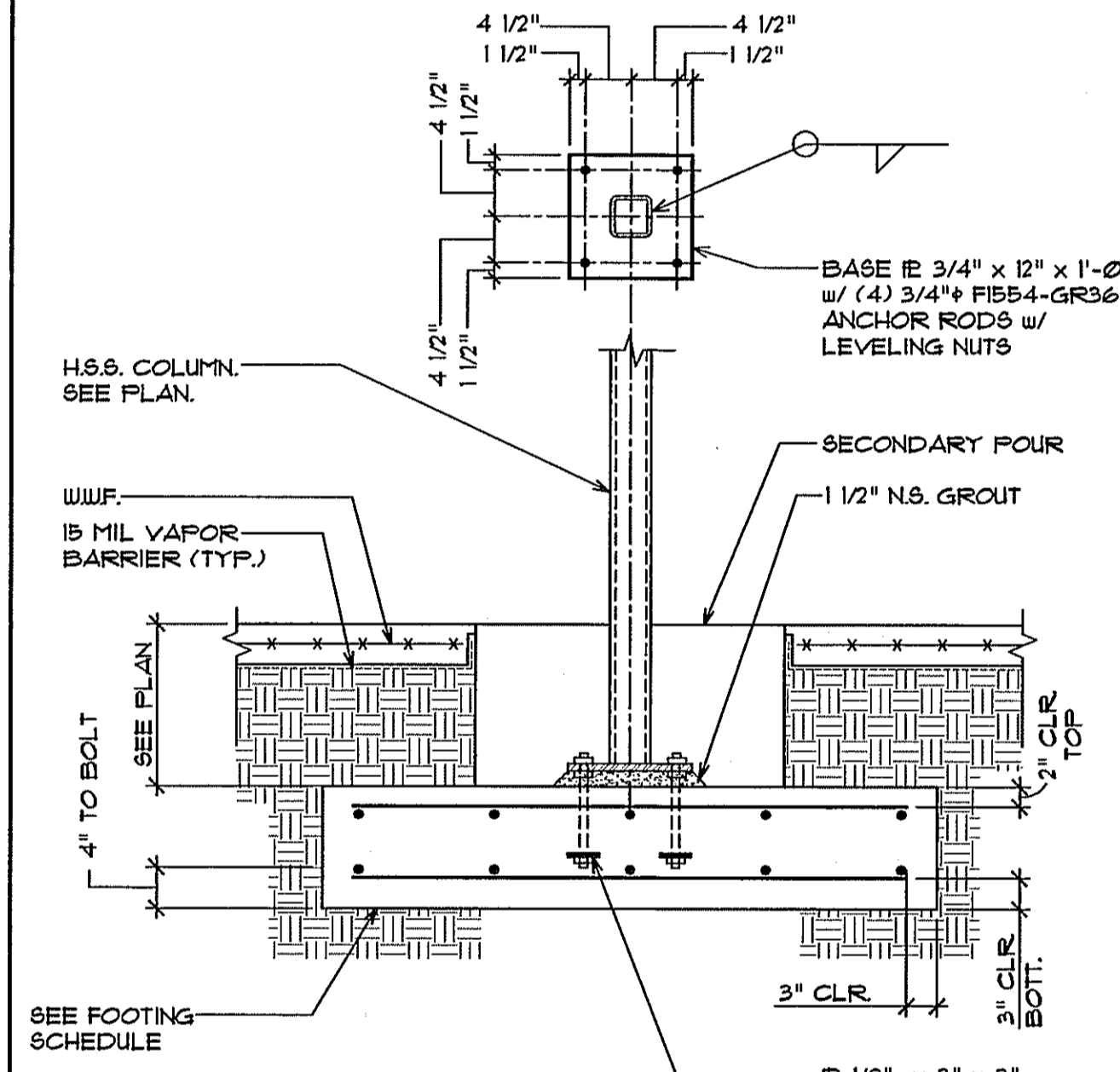
5 STEPPED FOOTING
 SCALE: 3/4" = 1'-0"



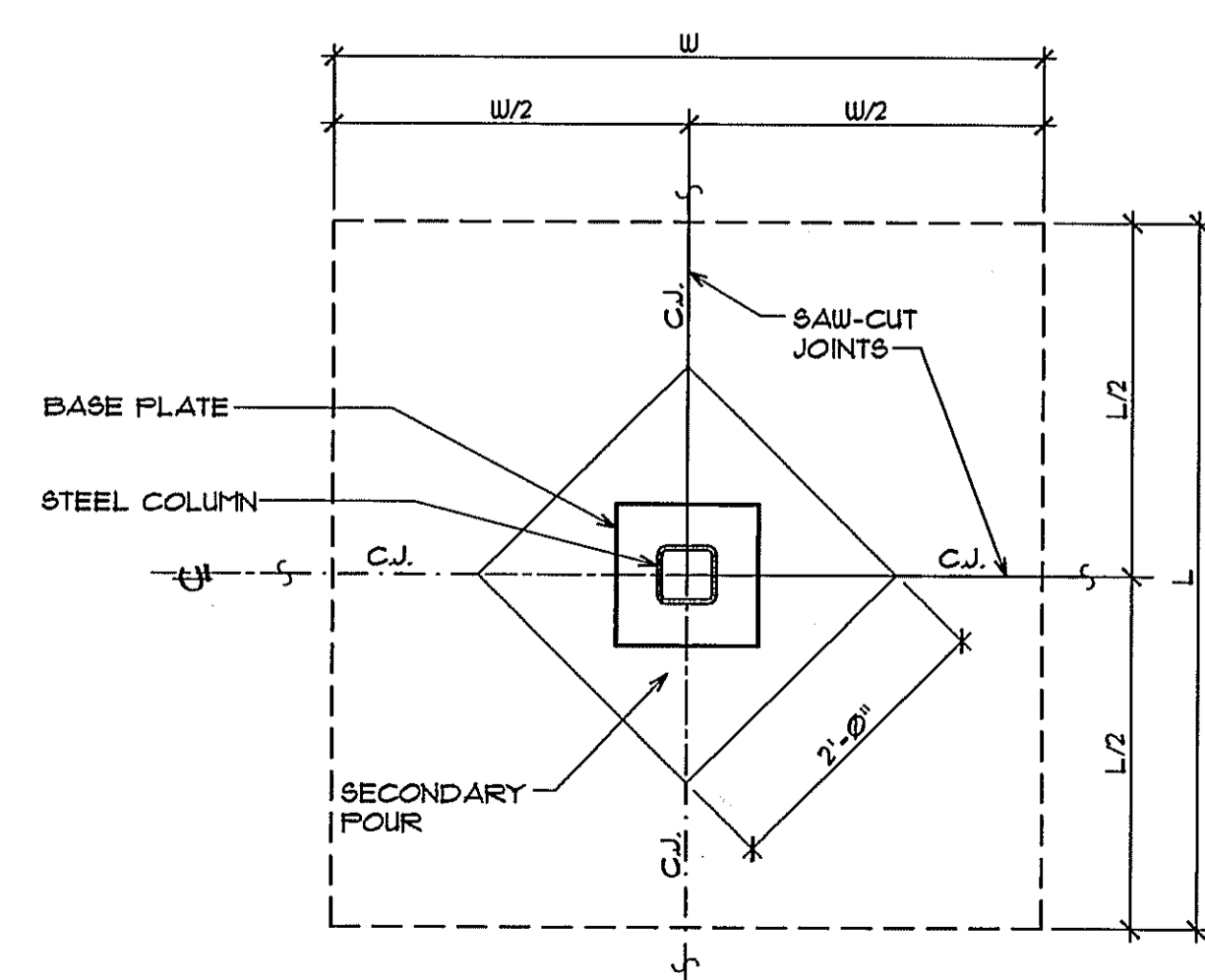
6 WALL FOOTING
 SCALE: 3/4" = 1'-0"



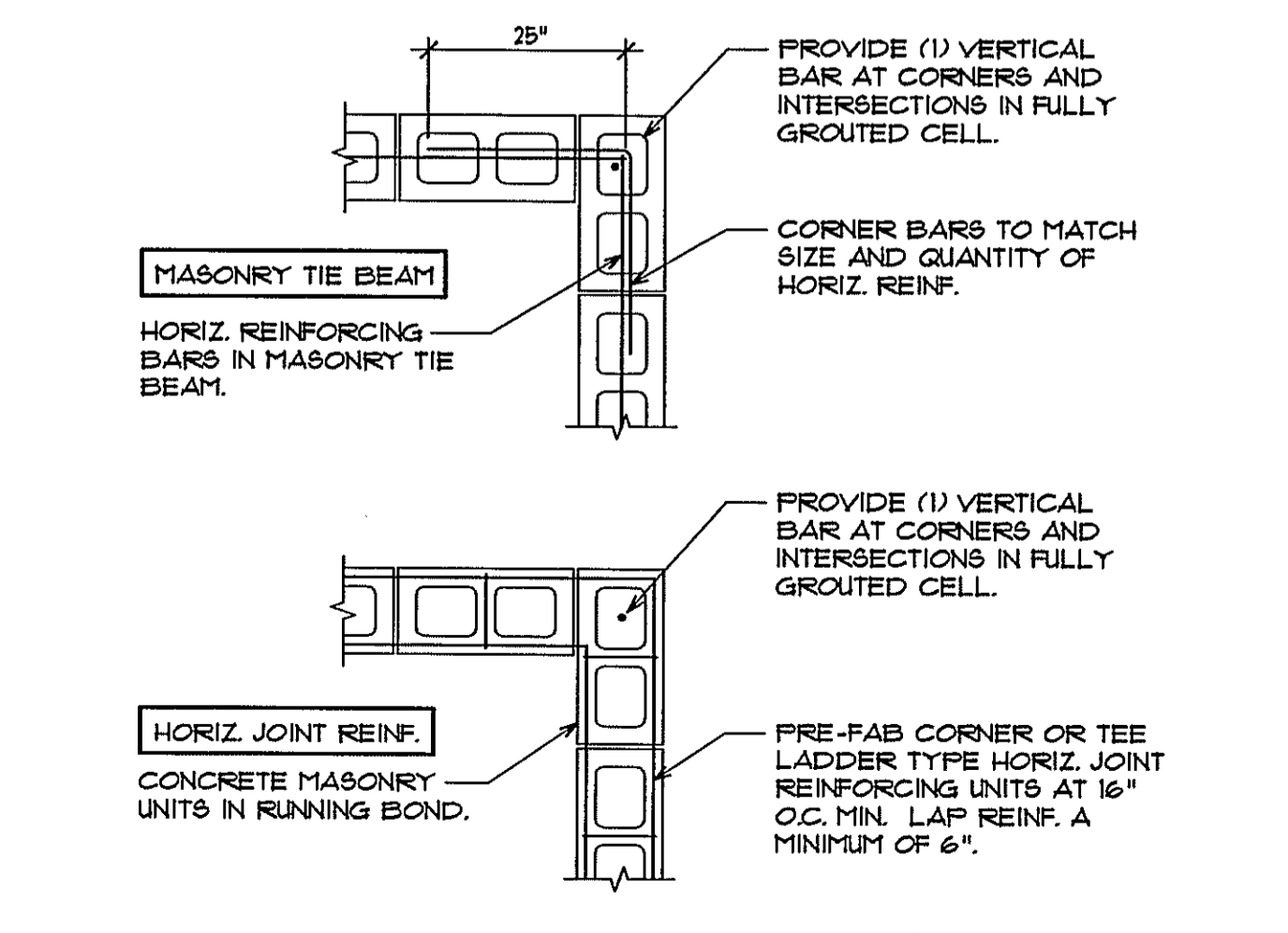
7 SECTION
 SCALE: 3/4" = 1'-0"



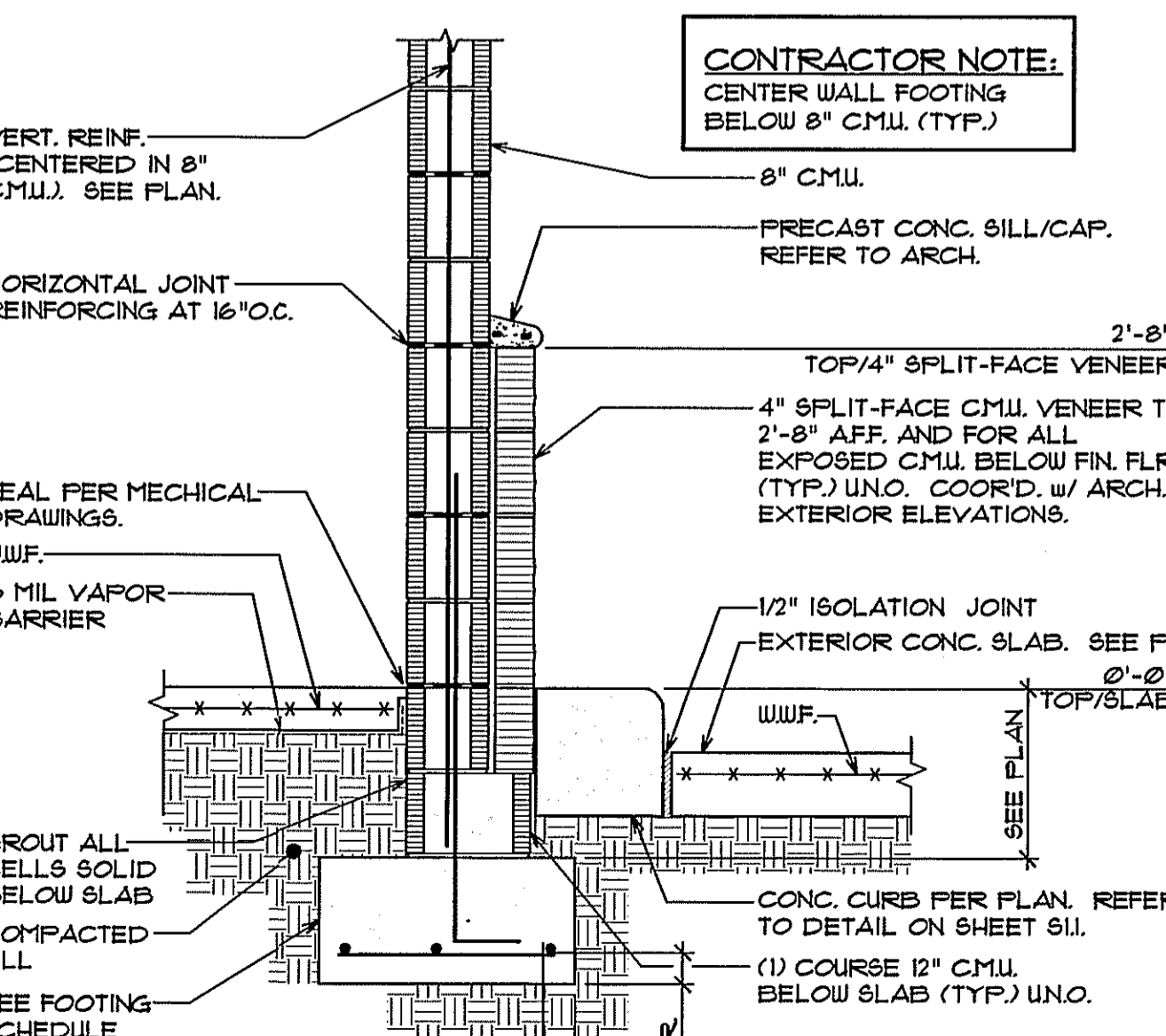
8 STEEL COLUMN FOUNDATION
 SCALE: 3/4" = 1'-0"



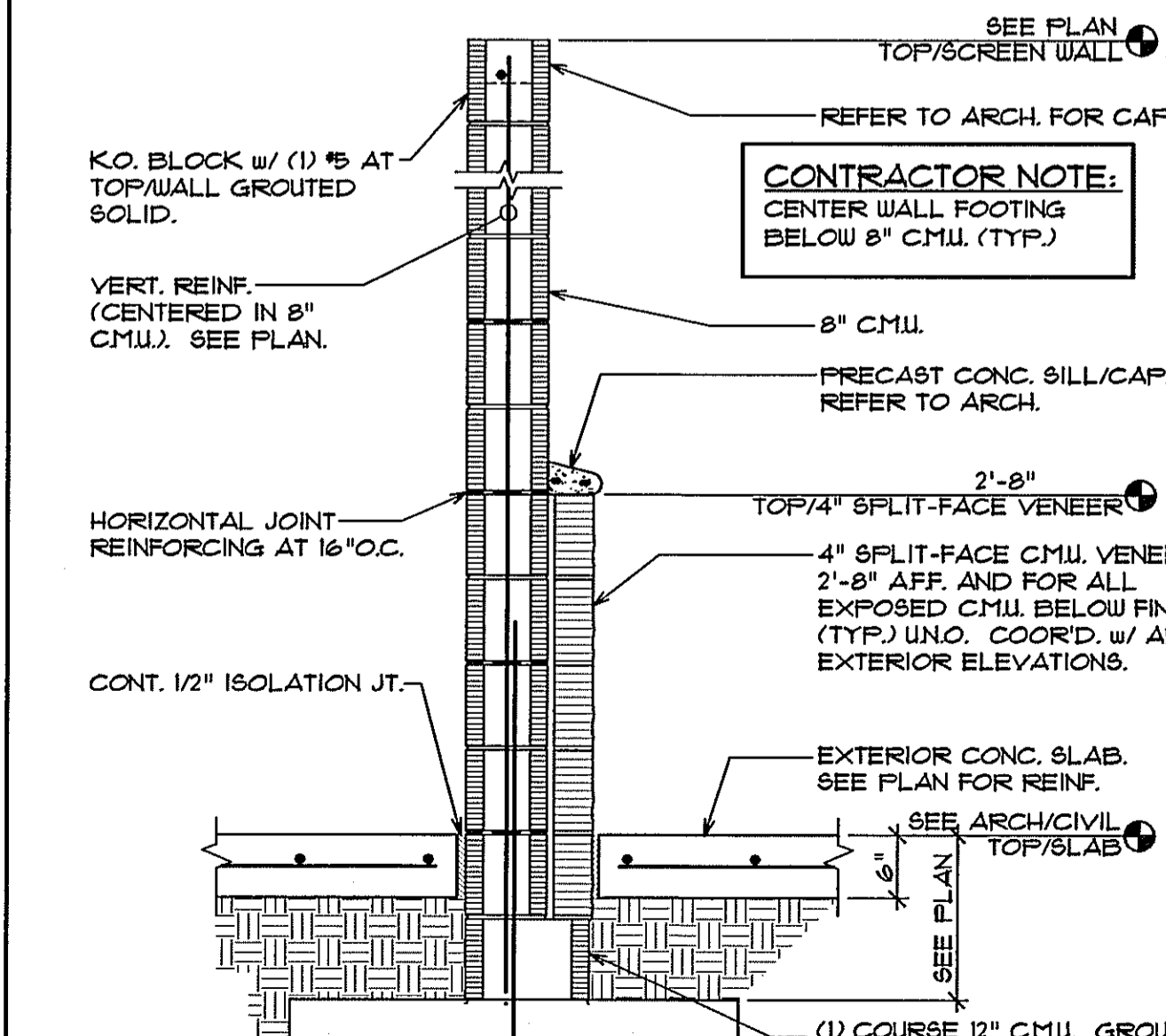
9 COLUMN ISOLATION JOINT
 SCALE: 1 1/2" = 1'-0"



10 TYPICAL REINF. DETAIL AT CORNERS AND INTERSECTING WALLS
 SCALE: N.T.S.



11 SECTION
 SCALE: 3/4" = 1'-0"



12 SCREEN WALL
 SCALE: 3/4" = 1'-0"

PROJECT TYPE
 DRAWINGS/SPECIFICATIONS BY:
 WALGREENS' CONSULTANT
 LANDLORD'S CONSULTANT

CONSTRUCTION WORK BY: (UNLESS NOTED OTHERWISE)
 WALGREENS' CONTRACTOR
 LANDLORD'S CONTRACTOR (TURNKEY CONSTRUCTION)

STORE	BUILDING
NEW..... <input checked="" type="checkbox"/>	NEW..... <input checked="" type="checkbox"/>
REMODELING... <input type="checkbox"/>	EXISTING..... <input type="checkbox"/>
RELOCATION... <input type="checkbox"/>	NEW SHELL ONLY <input type="checkbox"/>
OTHER..... <input type="checkbox"/>	

NO.	DATE	DESCRIPTION
04.05.10		REVISED PER WGS 2nd REVIEW COMMENTS

NO.	DATE	DESCRIPTION

CERTIFICATION AND SEAL
 I HEREBY CERTIFY THAT THIS PLAN AND SPECIFICATION WAS PREPARED BY ME OR UNDER MY DIRECT SUPERVISION AND THAT I AM A DULY REGISTERED ARCHITECT OR ENGINEER UNDER THE LAWS OF THE STATE OF FLORIDA AS SIGNIFIED BY MY HAND AND SEAL.
 ALAN C. GUENTHER, P.E.
 FL P.E. NO. 53308

PROJECT NAME
STORE #13450
SWC OF FOURAKER & NORMANDY
JACKSONVILLE, FLORIDA

DRAWING TITLE
FOUNDATION DETAILS

DATE	SCALE	DRAWING NO.
11.24.09	AS NOTED	S4.1
DRAWN BY: MAK	RELEASED TO CONSTRUCTION	FWH PROJECT NO. 0913
REVISED BY: ACG		