

PROJECT TYPE

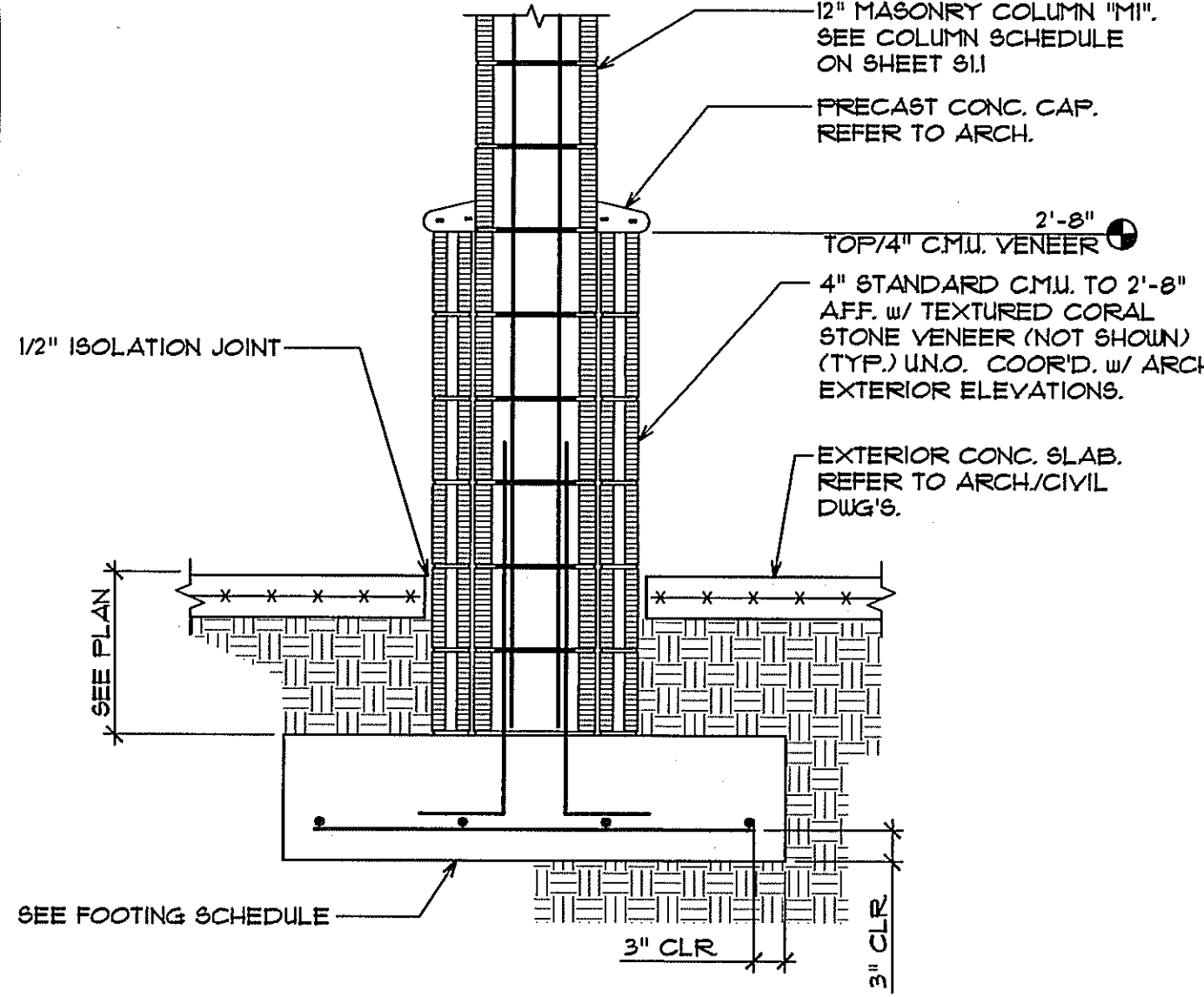
DRAWINGS/SPECIFICATIONS BY:

WALGREENS' CONSULTANT  
 LANDLORD'S CONSULTANT

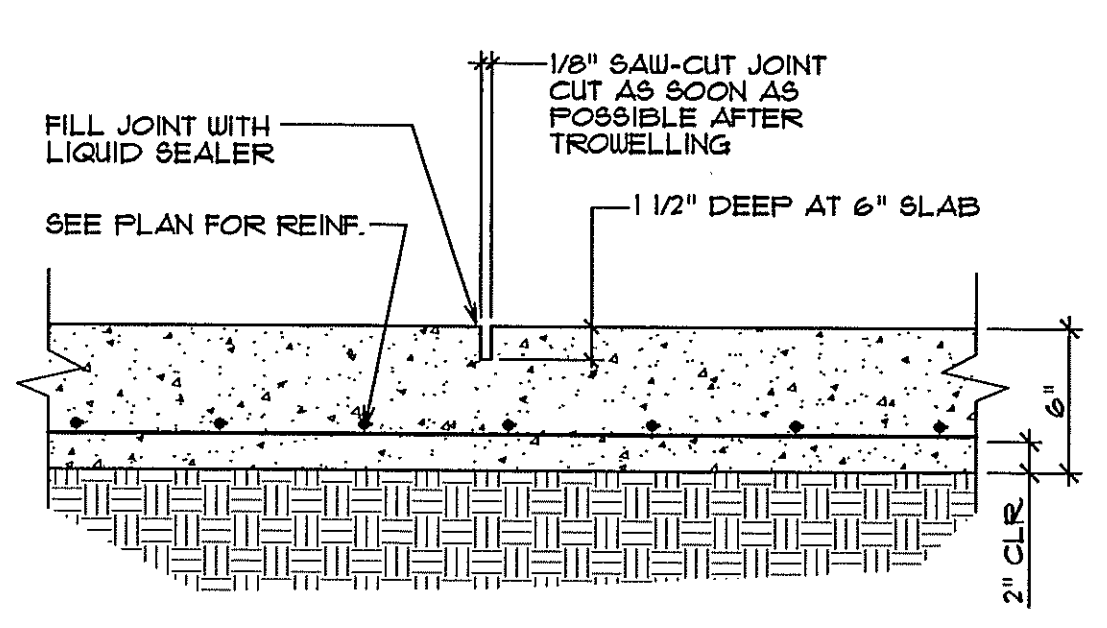
CONSTRUCTION WORK BY: (UNLESS NOTED OTHERWISE)

WALGREENS' CONTRACTOR  
 LANDLORD'S CONTRACTOR (TURNKEY CONSTRUCTION)

| STORE  | BUILDING                                     |
|--|--|
| NEW..... <input checked="" type="checkbox"/> | NEW..... <input checked="" type="checkbox"/> |
| REMODELING... <input type="checkbox"/>       | EXISTING..... <input type="checkbox"/>       |
| RELOCATION... <input type="checkbox"/>       | NEW SHELL ONLY <input type="checkbox"/>      |
| OTHER..... <input type="checkbox"/>          |  |



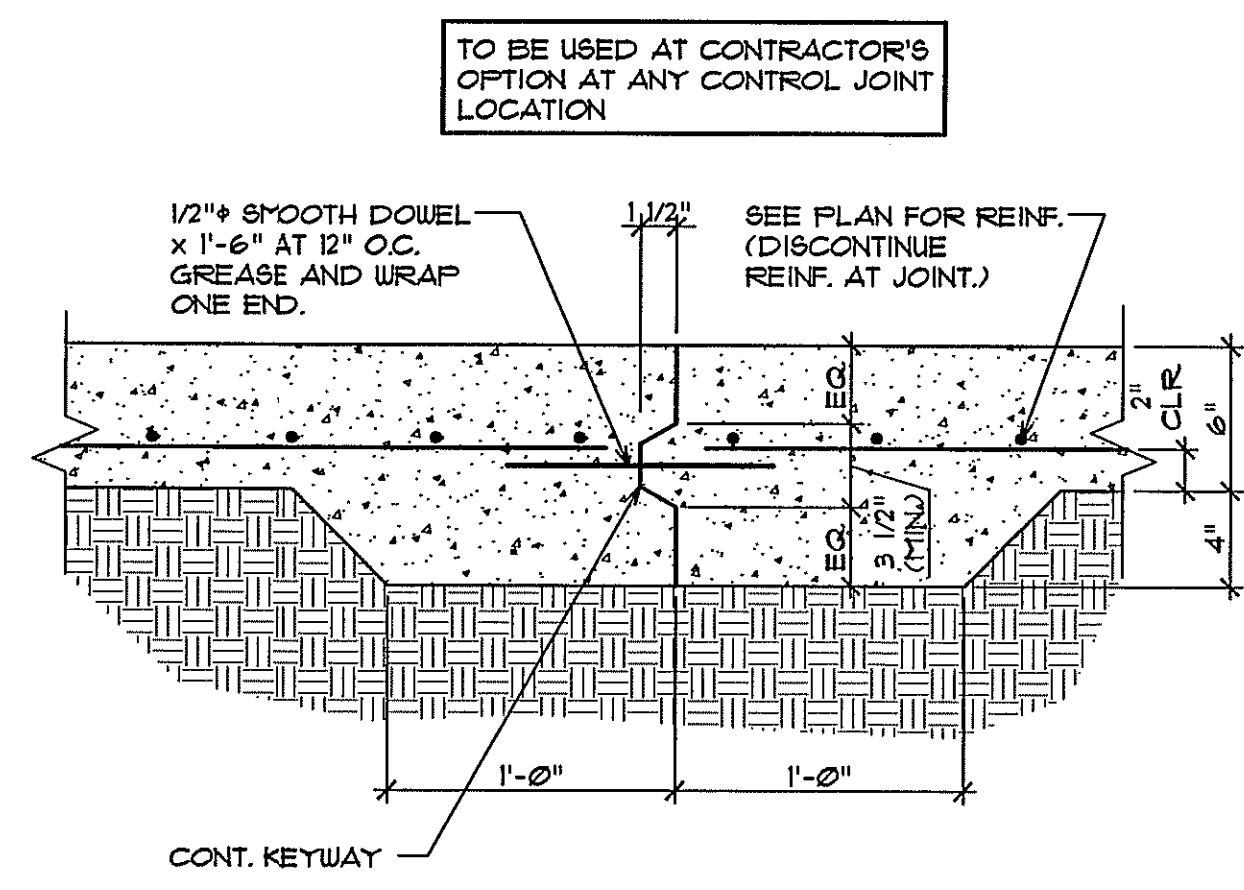
**1 MASONRY PILASTER COLUMN**  
 SCALE: 3/4" = 1'-0"



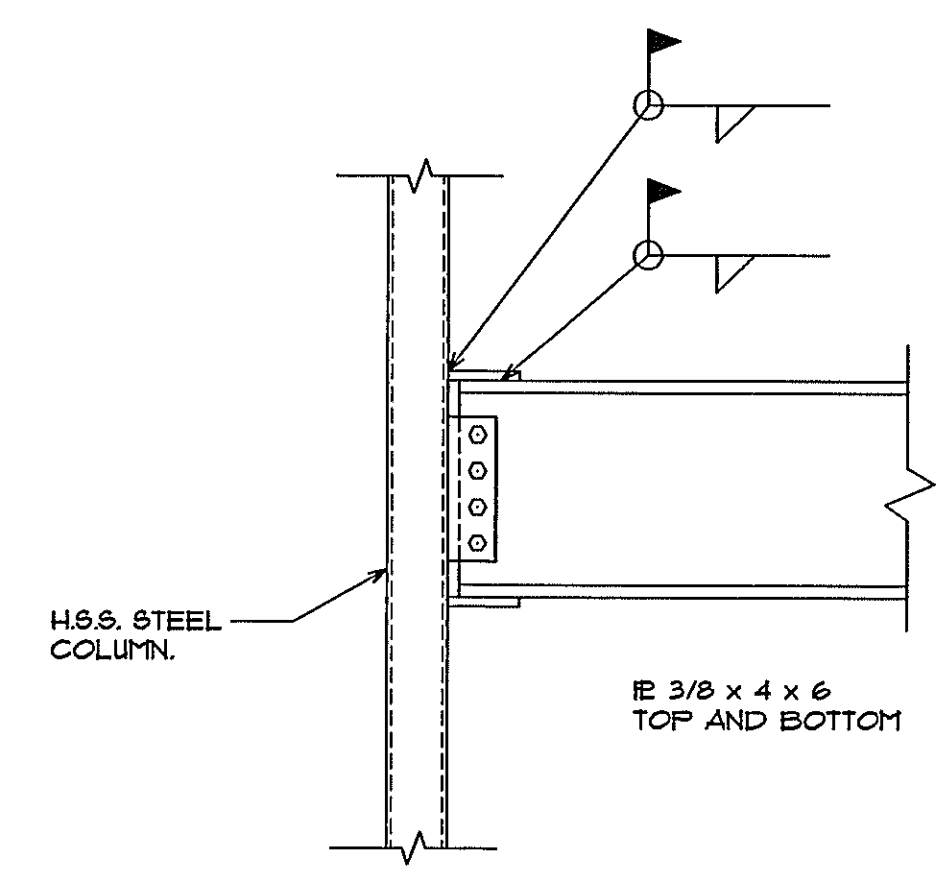
NOTES:

- CUT SLAB AS SOON AS AGGREGATE DOES NOT DISLODGE (MUST BE WITHIN 12 HOURS OF CONCRETE PLACEMENT).
- HAND TOOL JOINT WHERE SAW DOES NOT REACH.

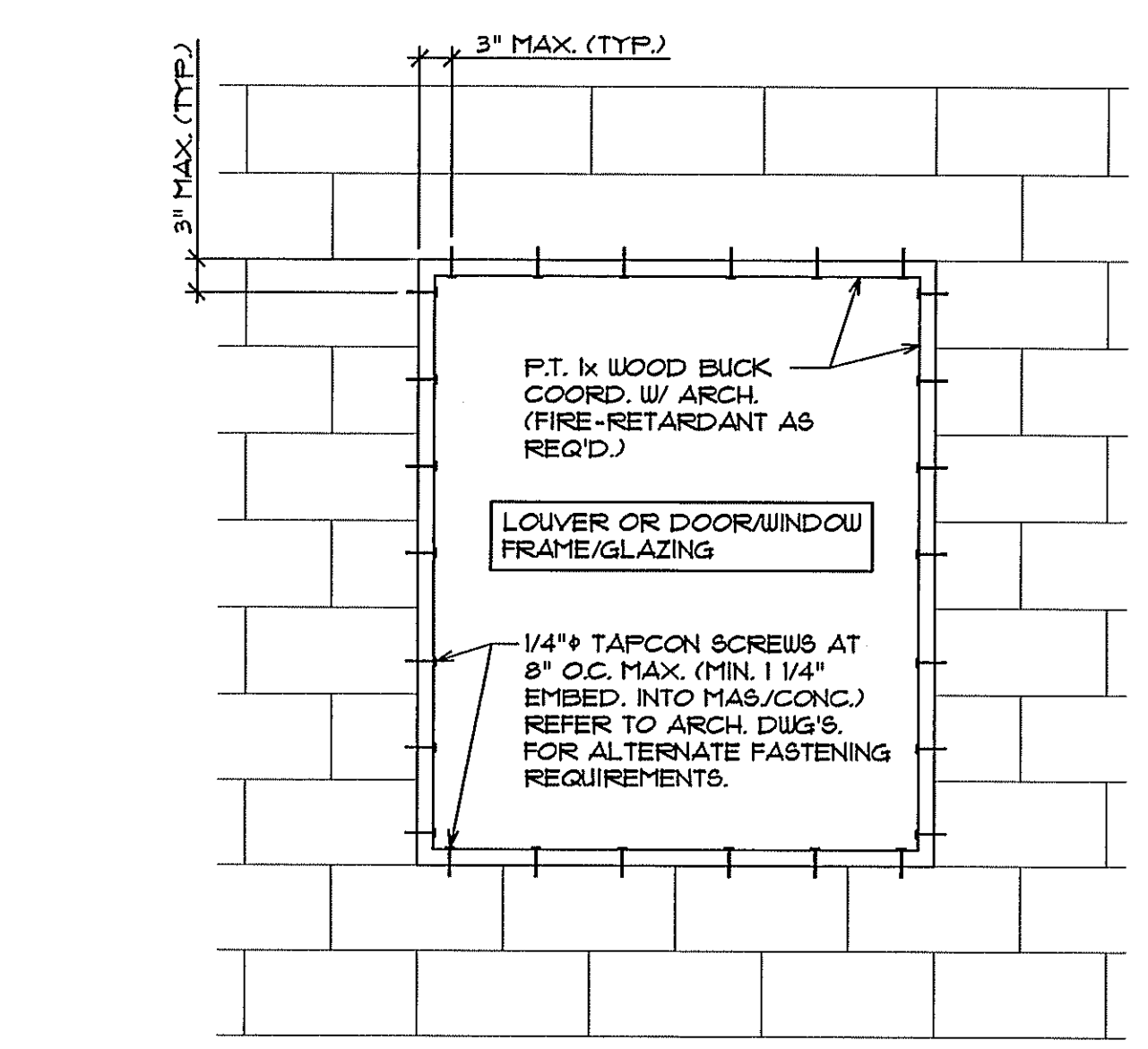
**2 CONTROL JOINT**  
 SCALE: 3/4" = 1'-0"



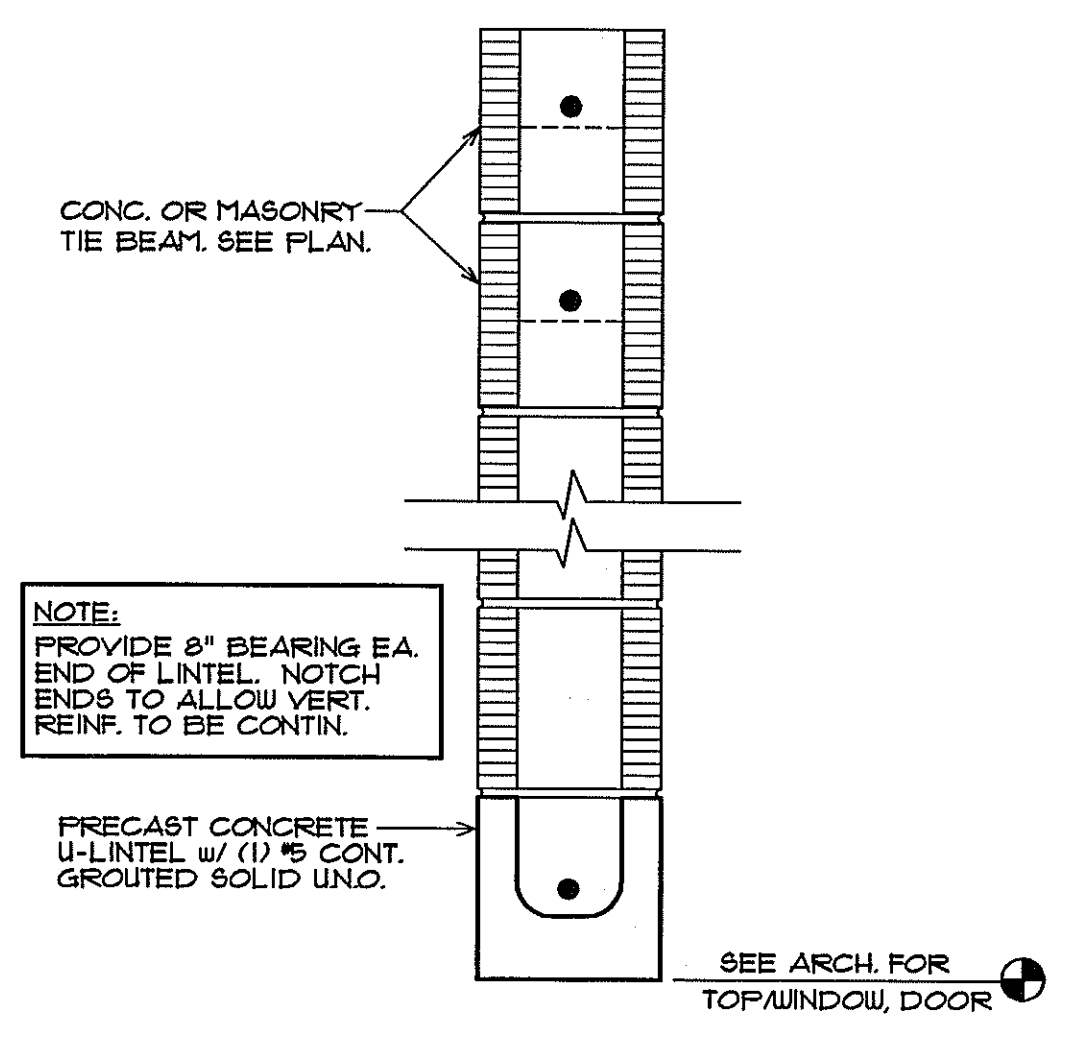
**3 CONSTRUCTION JOINT**  
 SCALE: 3/4" = 1'-0"



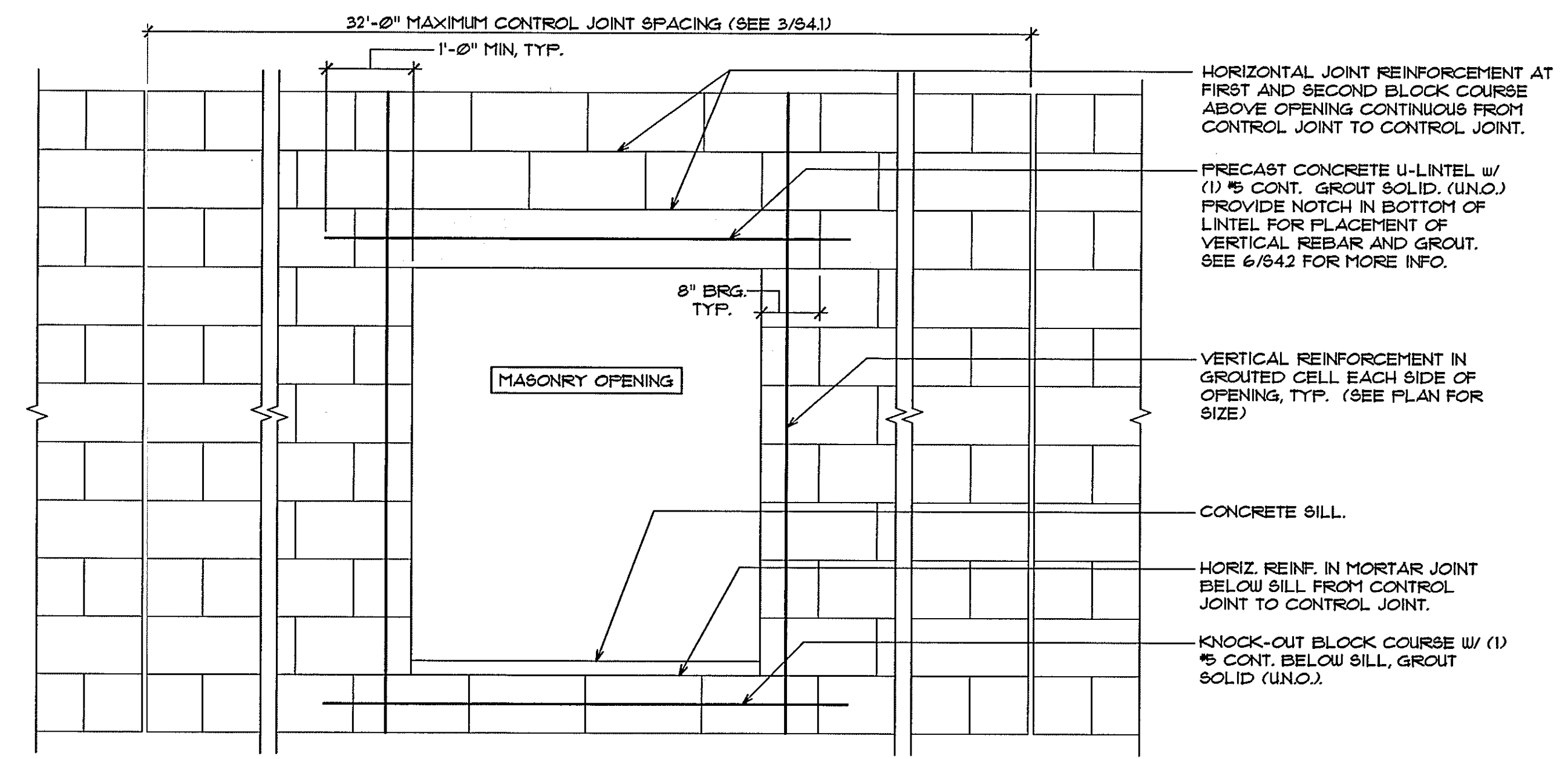
**4 BEAM-COLUMN CONNECTION**  
 SCALE: 3/4" = 1'-0"



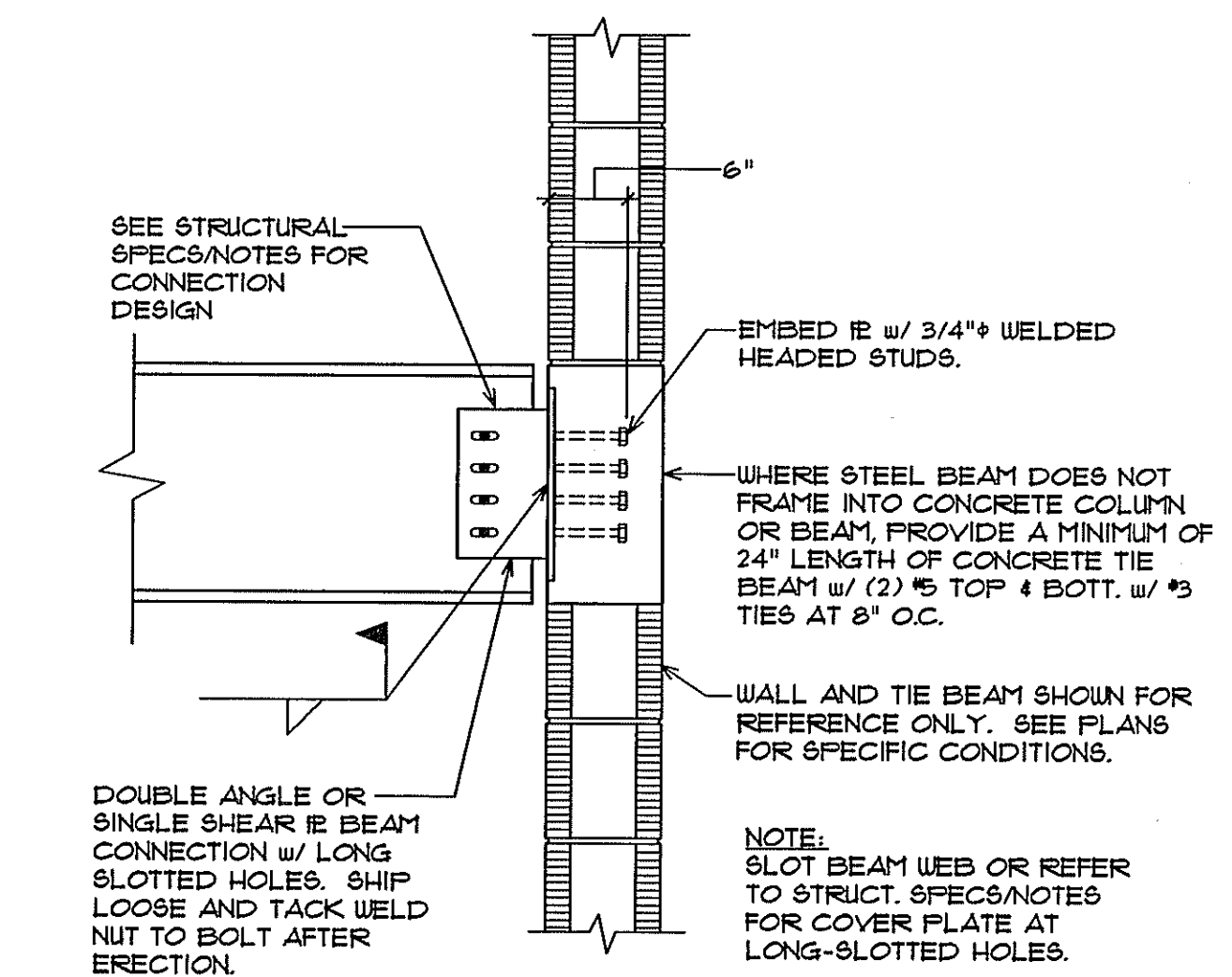
**5 BUCK CONNECTION - ELEVATION**  
 SCALE: 3/4" = 1'-0"



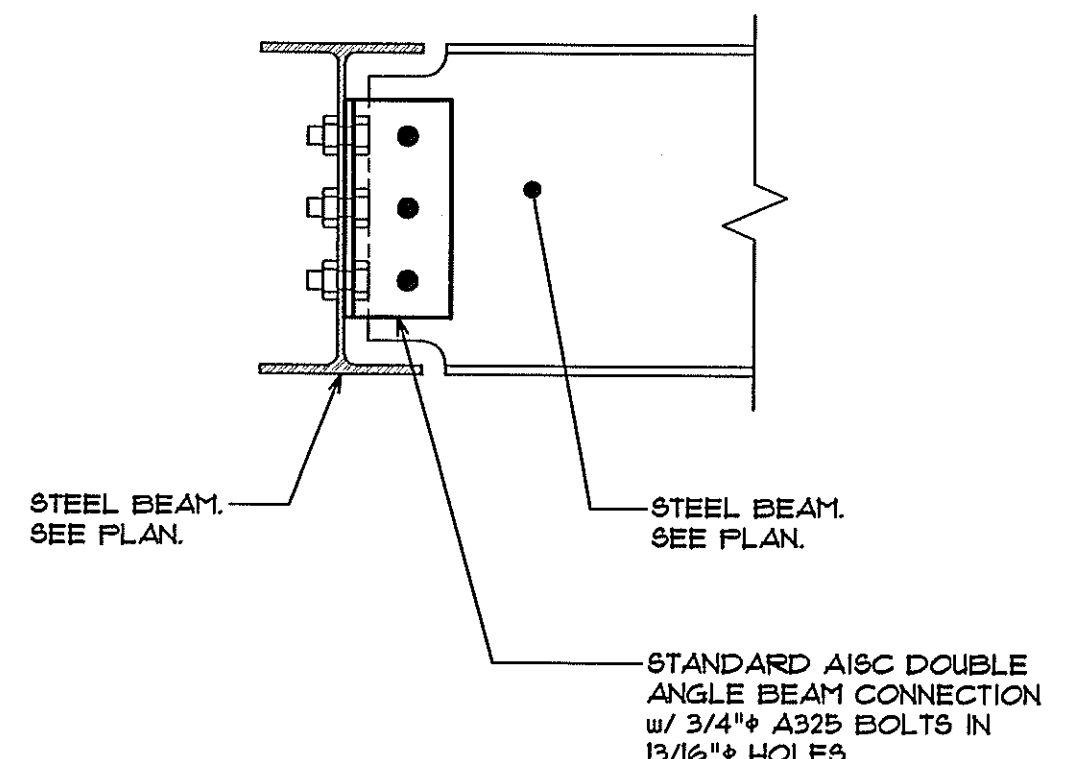
**6 TYPICAL PRECAST LINTEL DETAIL**  
 SCALE: 1 1/2" = 1'-0"



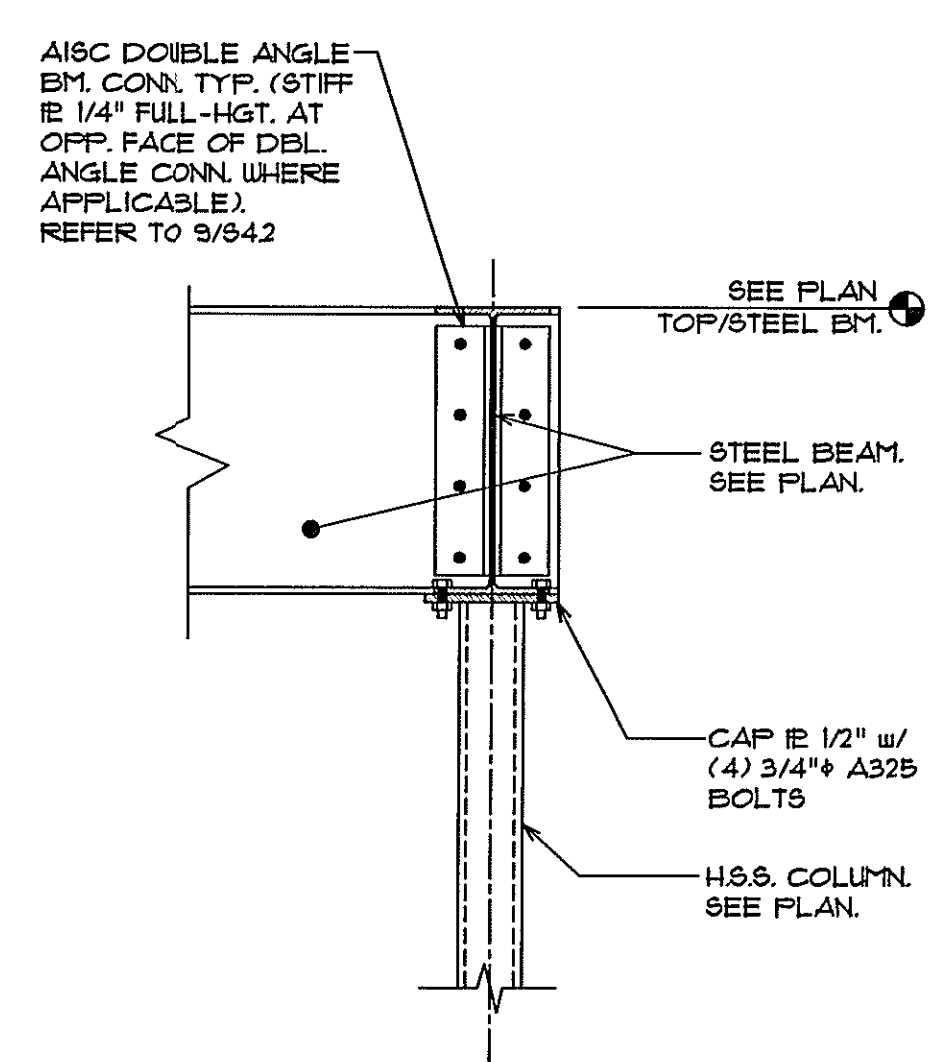
**7 WALL ELEVATION AT OPENING**  
 SCALE: 3/4" = 1'-0"



**8 BOLT CLUSTER**  
 SCALE: 1" = 1'-0"



**9 DBL. ANGLE BEAM CONNECTION**  
 NOT TO SCALE



**10 STEEL BEAM BEARING**  
 NOT TO SCALE

**11 NOT USED**

| NO. | DATE     | DESCRIPTION                         |
|-----|----------|-------------------------------------|
| 1   | 04.05.10 | REVISED PER WGS 2nd REVIEW COMMENTS |

CERTIFICATION AND SEAL

I HEREBY CERTIFY THAT THIS PLAN AND SPECIFICATION WAS PREPARED BY ME OR UNDER MY DIRECT SUPERVISION AND THAT I AM A DULY REGISTERED ARCHITECT OR ENGINEER UNDER THE LAWS OF THE STATE OF FLORIDA AS SIGNIFIED BY MY HAND AND SEAL.

ALAN C. GUENTHER, P.E.  
 FL. P.E. NO. 53308

PROJECT NAME

**STORE #13450**  
**SWC OF FOURAKER & NORMANDY**  
**JACKSONVILLE, FLORIDA**

DRAWING TITLE

**DETAILS**

| DATE     | WALGREENS STORE NO. | DRAWING NO. |
|----------|---------------------|-------------|
| 11.24.04 | 13450               | <b>S4.2</b> |

DRAWN BY: MAK

REVIEWED BY: ACG

SCALE: AS NOTED

RELEASED TO CONSTRUCTION

FWH PROJECT NO. 0413

D:\ACPE\ACPE Projects\WVW\12\Walgreens\_Jacksonville (13450)\CAD\Structure\2010\_0224 - FCO\S12-6466a\_BCS.dwg Apr 05, 2010 - 4:18pm