

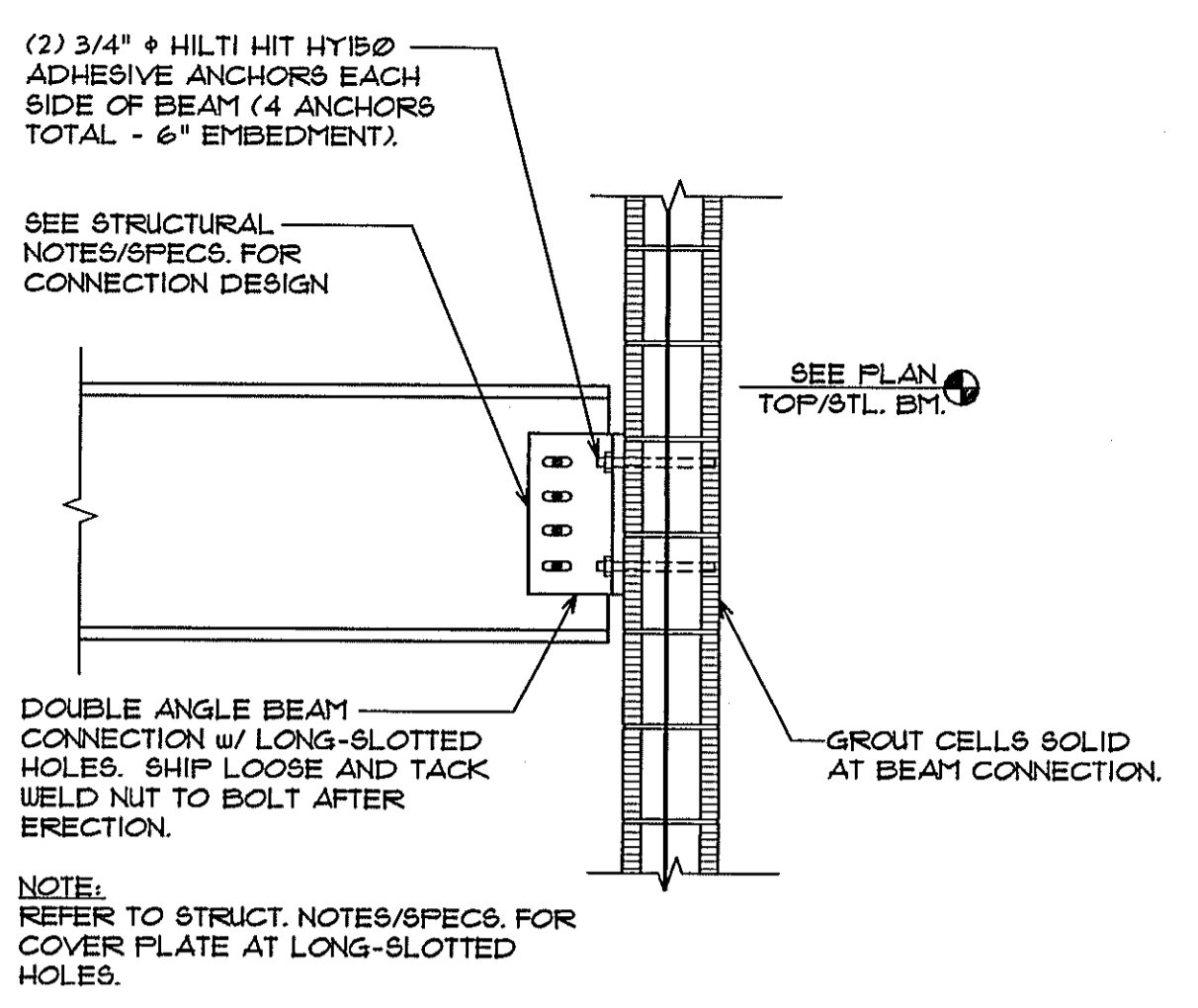
**PROJECT TYPE**

DRAWINGS/SPECIFICATIONS BY:  
 HALGREENS' CONSULTANT  
 LANDLORD'S CONSULTANT

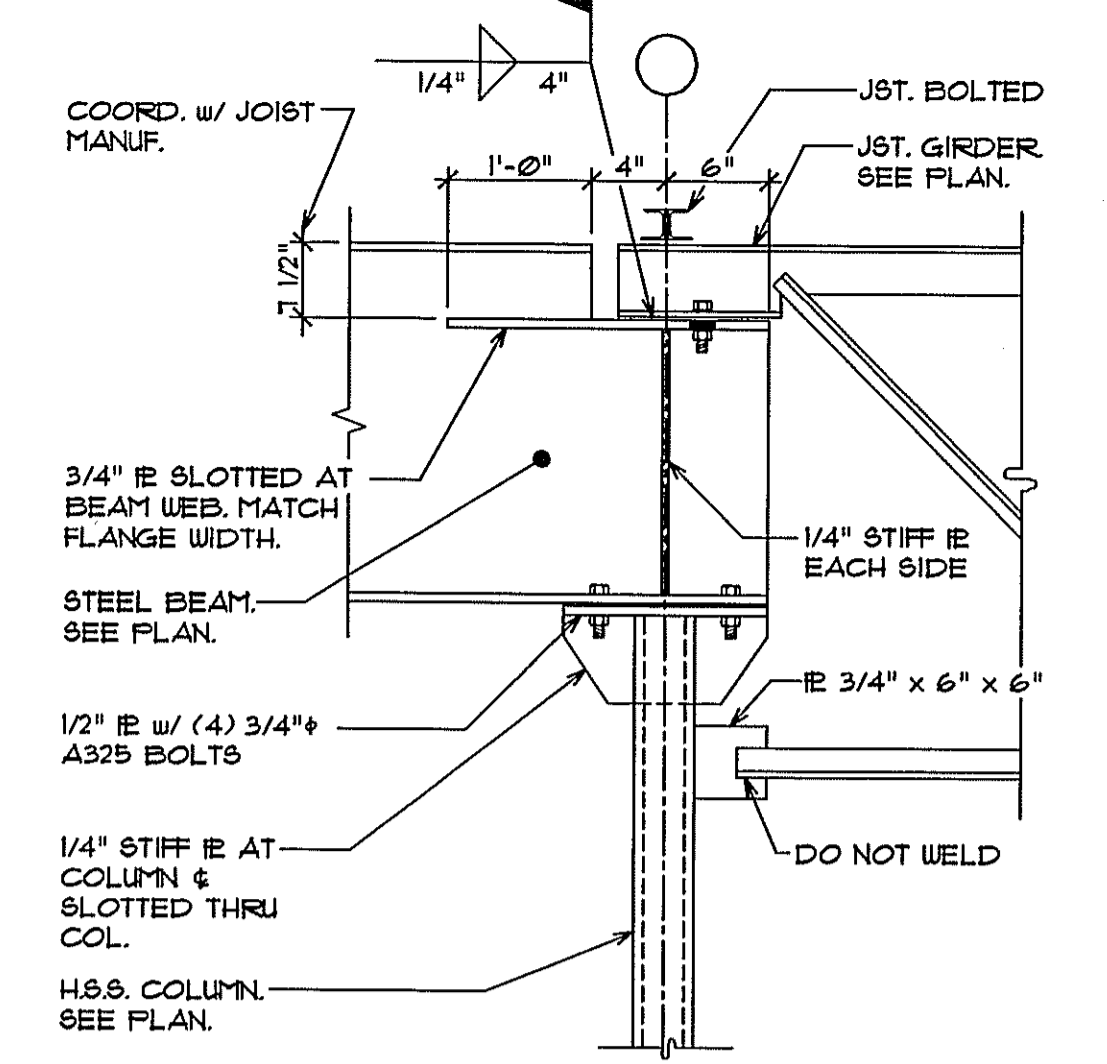
CONSTRUCTION WORK BY: (UNLESS NOTED OTHERWISE)  
 HALGREENS' CONTRACTOR  
 LANDLORD'S CONTRACTOR (TURNKEY CONSTRUCTION)

STORE	BUILDING
NEW.....	NEW.....
REMODELING... <input type="checkbox"/>	EXISTING..... <input type="checkbox"/>
RELOCATION... <input type="checkbox"/>	NEW SHELL ONLY <input type="checkbox"/>
OTHER..... <input type="checkbox"/>	

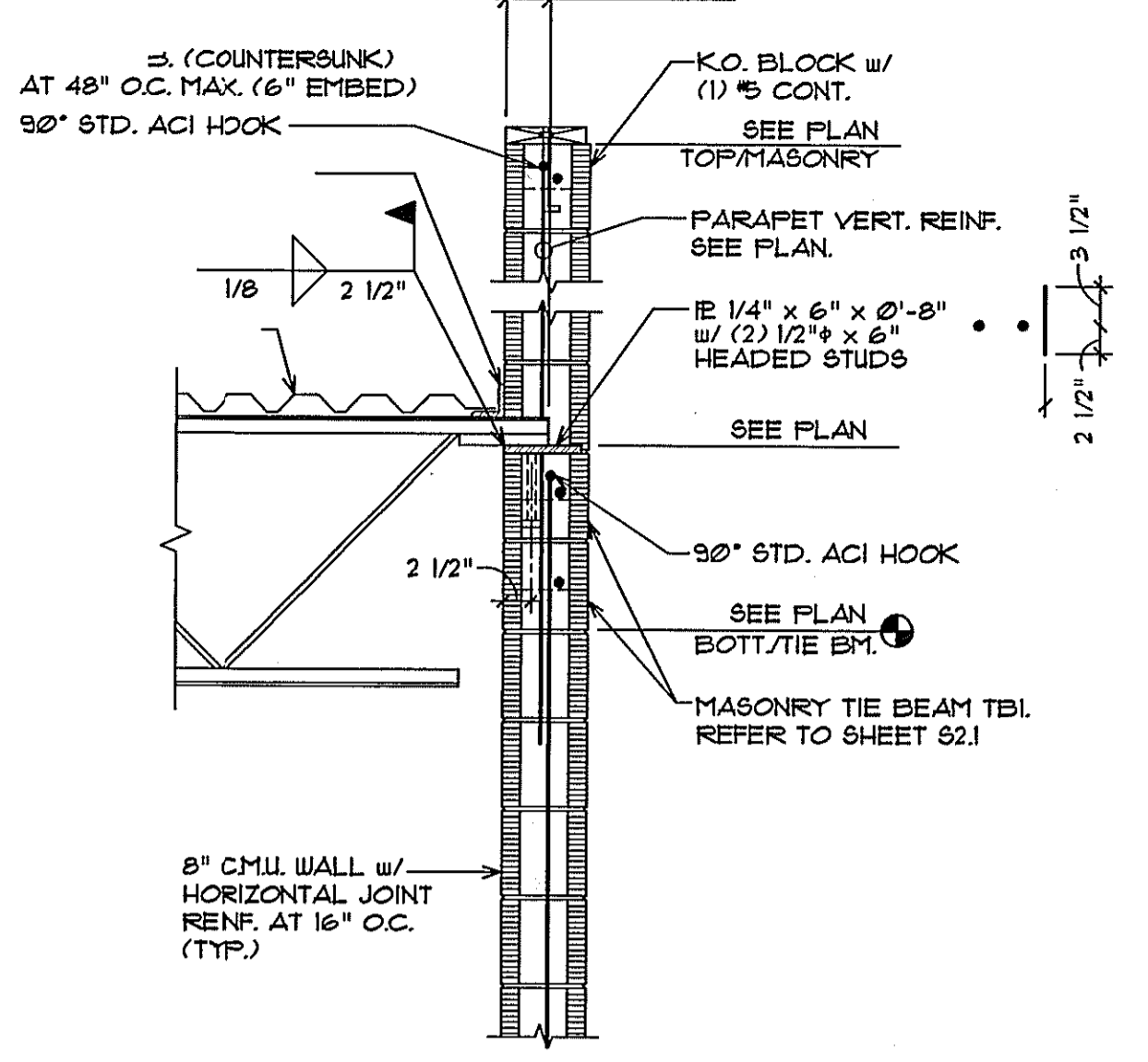
**EA G**  
 PROFESSIONAL ENGINEERING, INC.  
 1947 Melody Fair Place - Suite FL 3355  
 Ph: 813.926.0568 Fax: 813.926.0562  
 Alan C. Guenther, P.E. #53308 / C.A. #26813



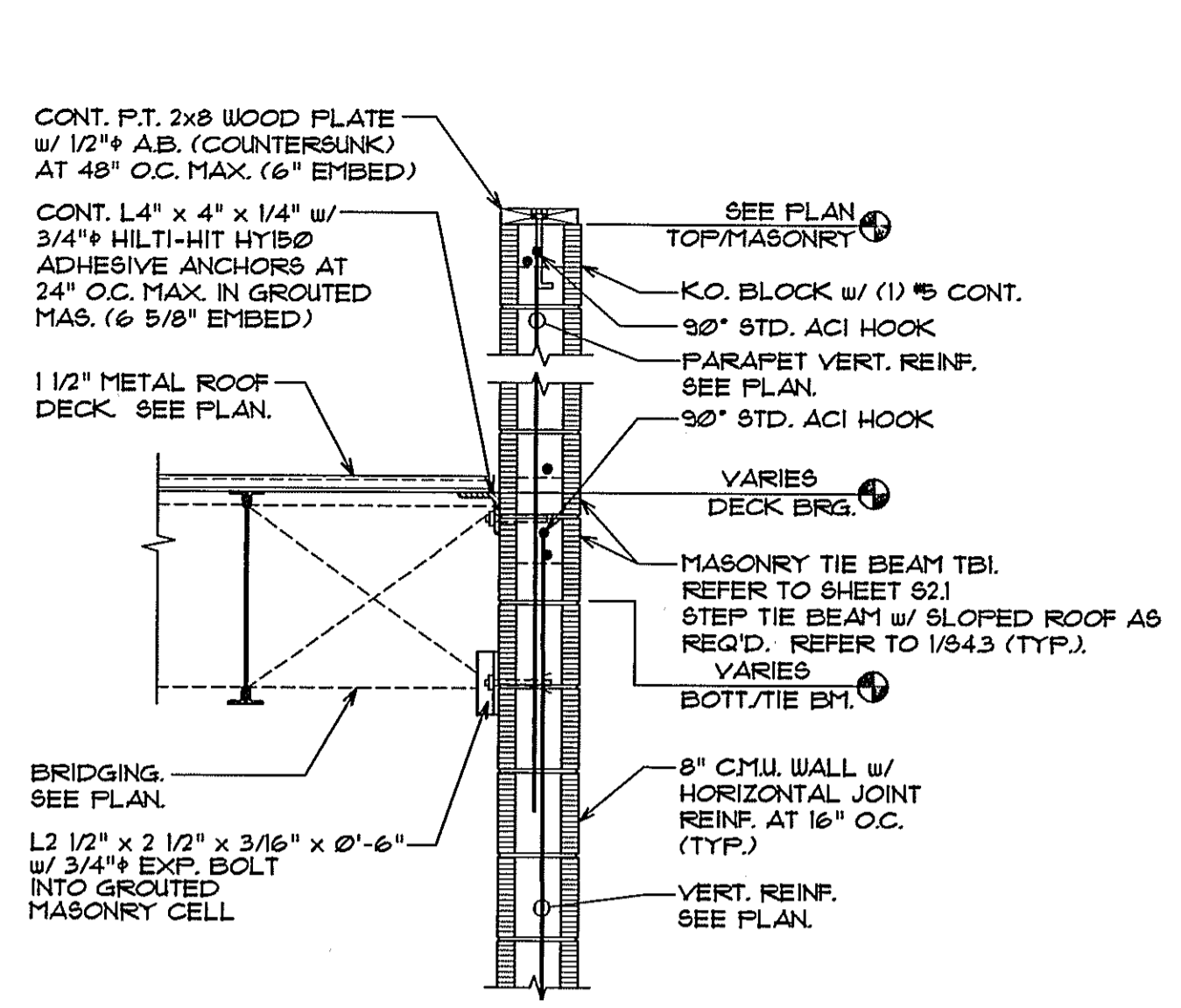
**1 CANOPY BEAM CONNECTION**  
 SCALE: 3/4" = 1'-0"



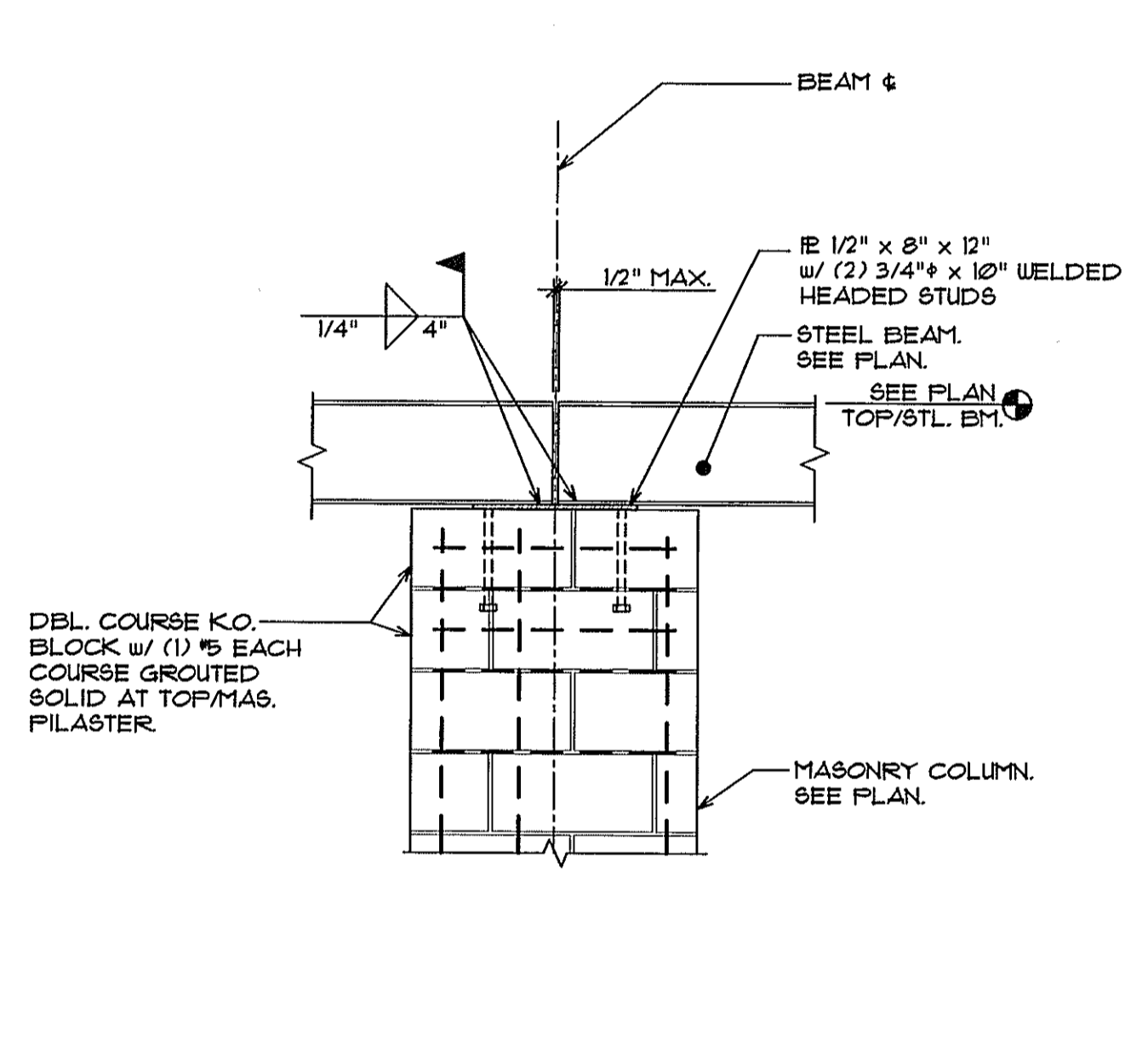
**2 SECTION**  
 SCALE: 3/4" = 1'-0"



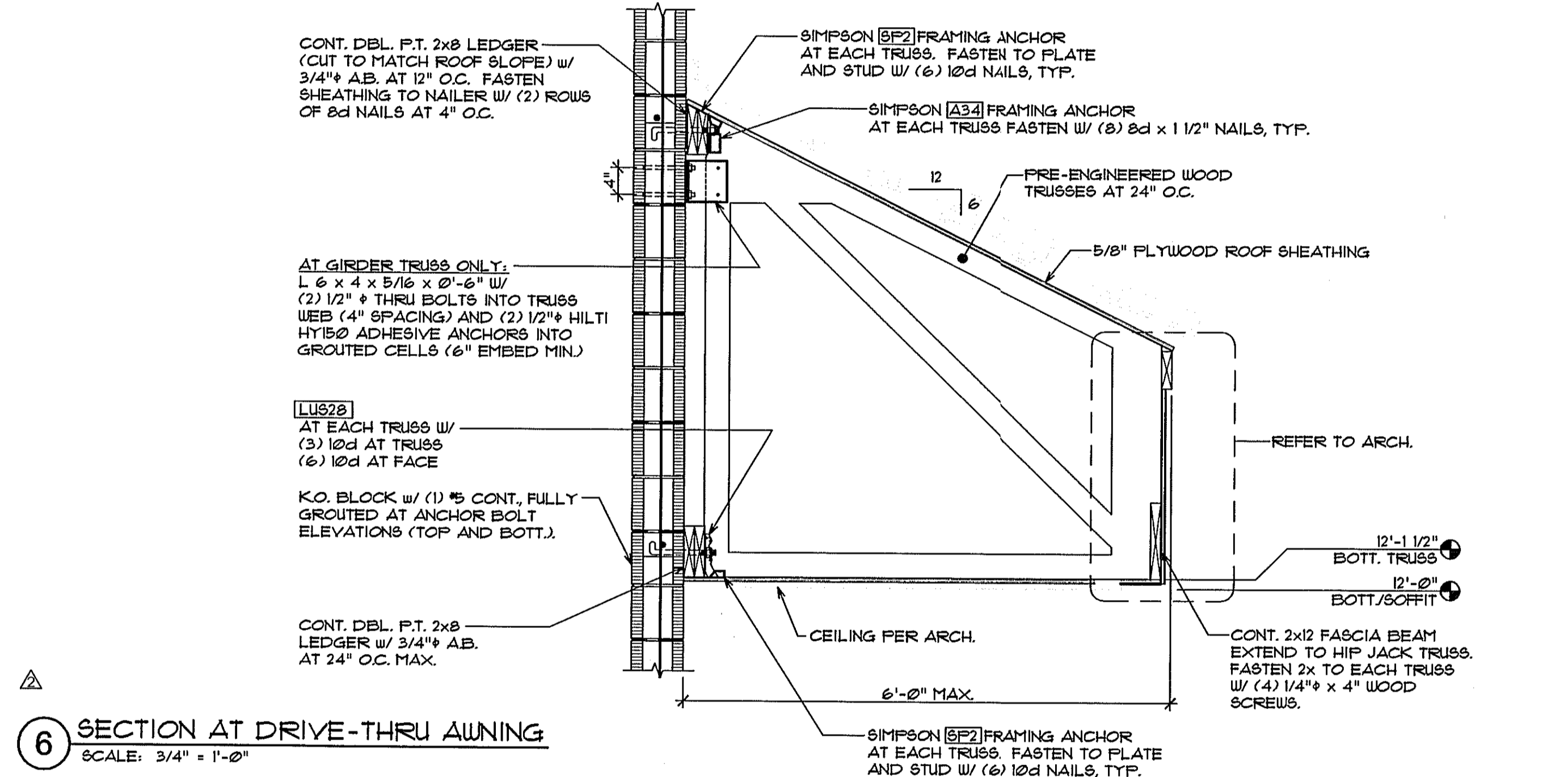
**3 JOIST BEARING**  
 SCALE: 3/4" = 1'-0"



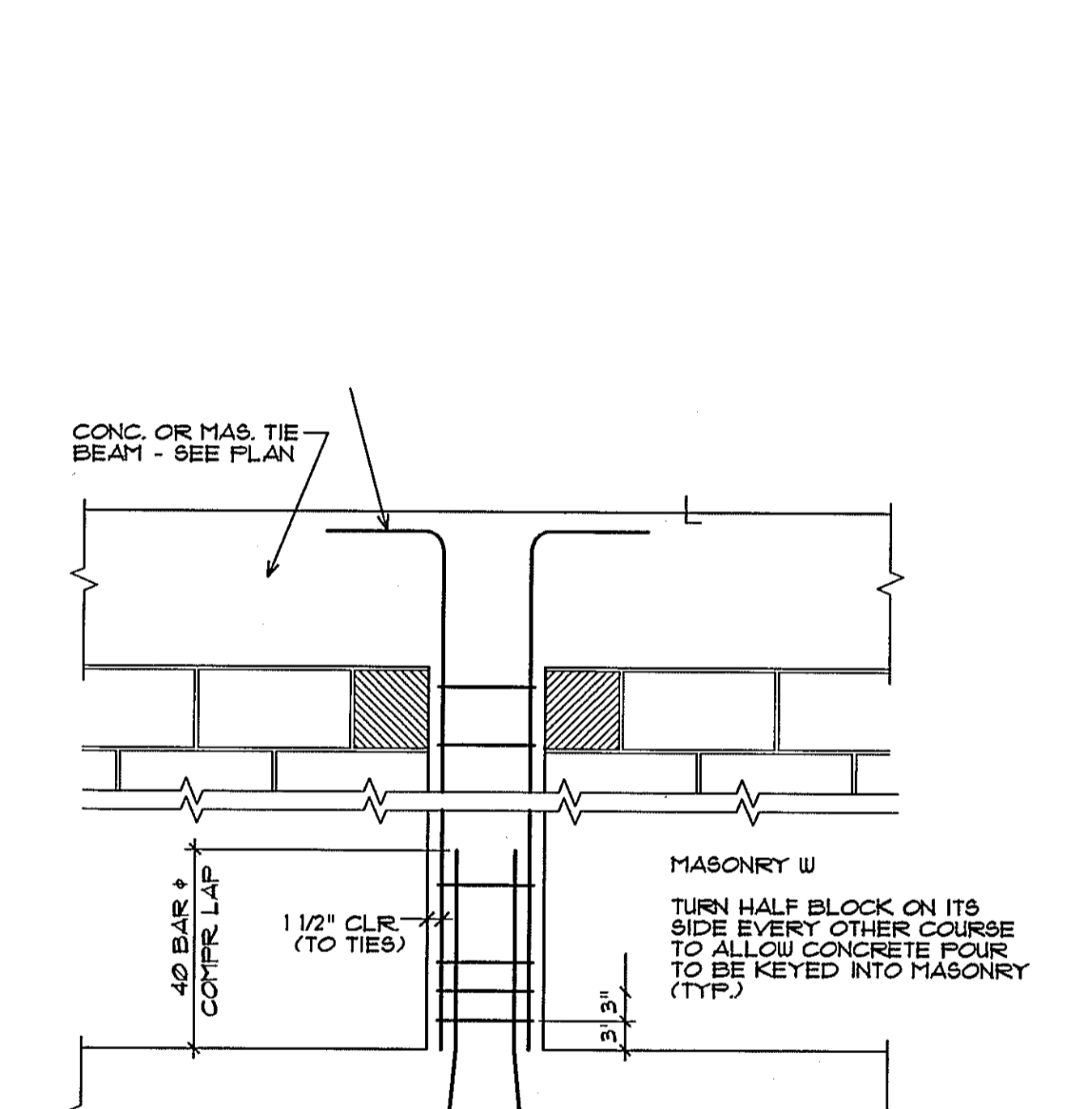
**4 DECK BEARING**  
 SCALE: 3/4" = 1'-0"



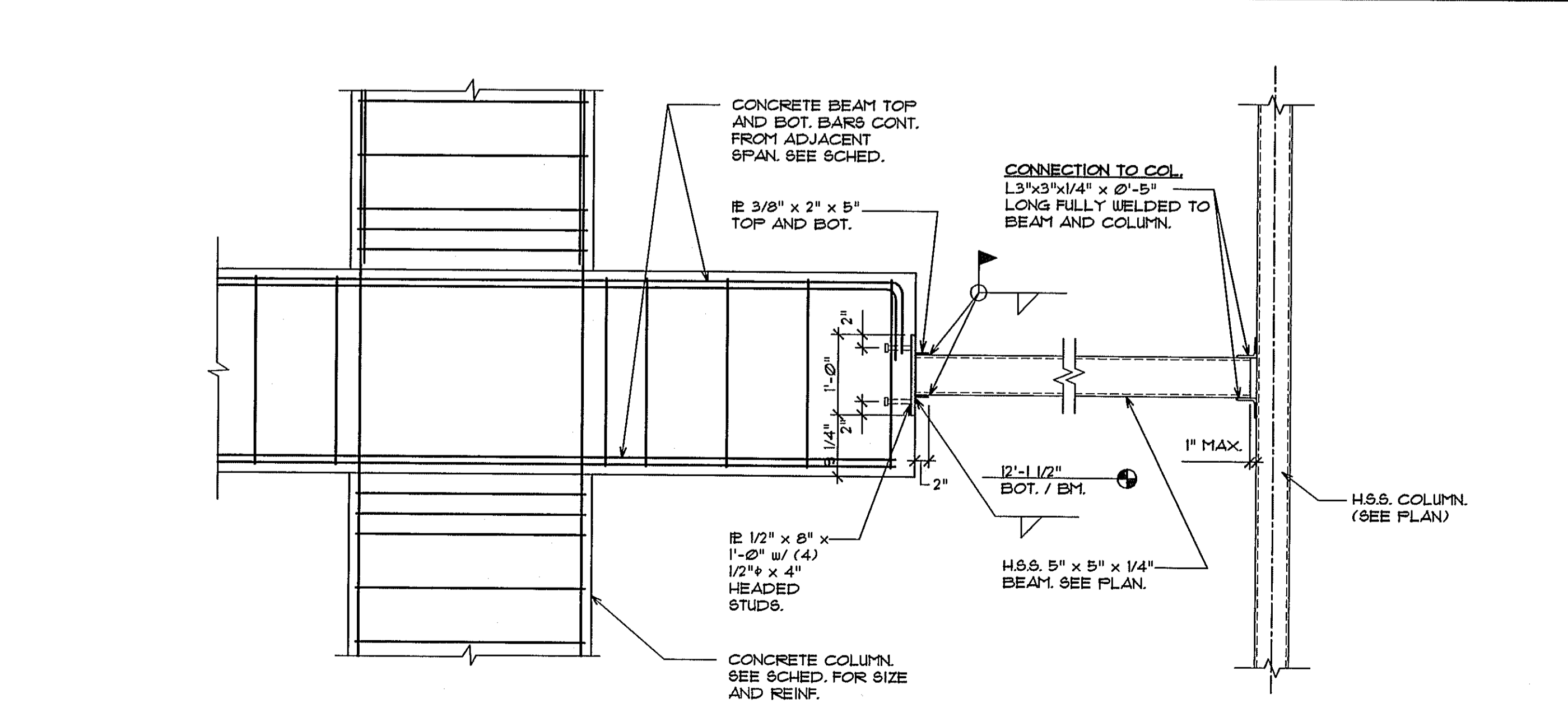
**5 SECTION**  
 SCALE: 3/4" = 1'-0"



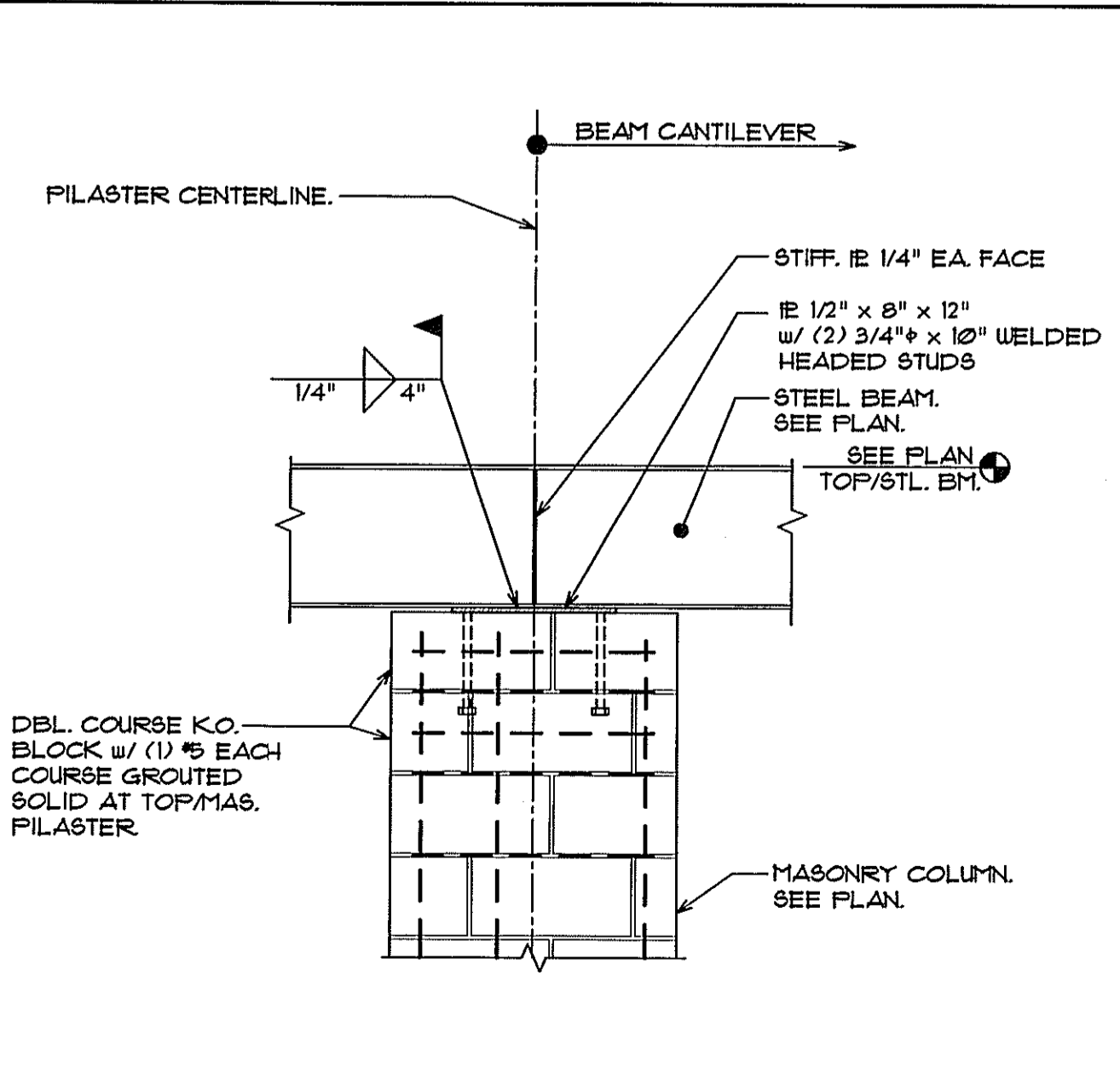
**6 SECTION AT DRIVE-THRU AWNING**  
 SCALE: 3/4" = 1'-0"



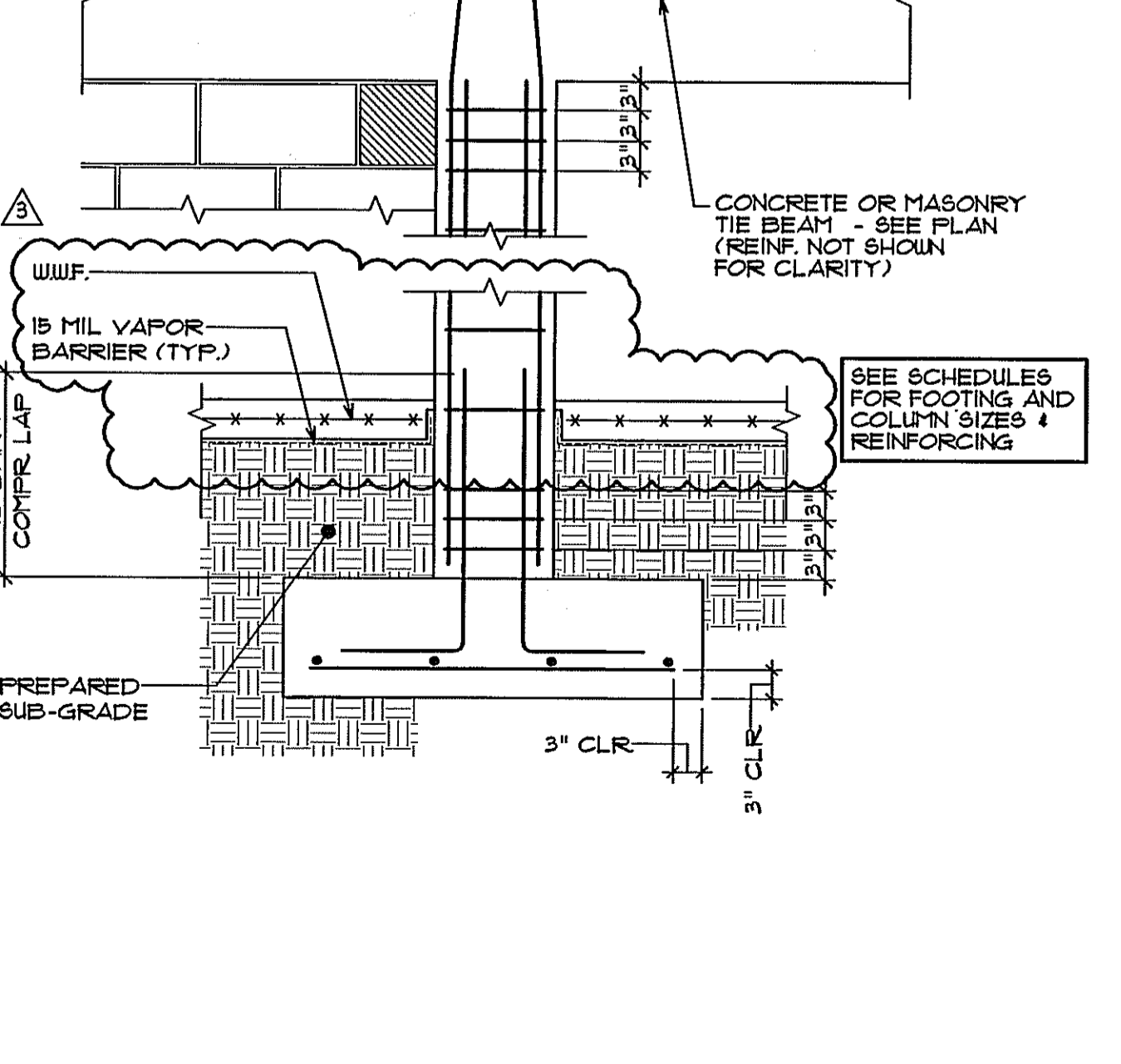
**7 SECTION**  
 SCALE: 3/4" = 1'-0"



**8 SECTION**  
 SCALE: 3/4" = 1'-0"



**9 SECTION**  
 SCALE: 3/4" = 1'-0"



**10 CONCRETE COLUMN DETAIL**  
 SCALE: 3/4" = 1'-0"

NO.	DATE	DESCRIPTION
02.05.10		REVISED PER WGS 1ST REVIEW COMMENTS
04.05.10		REVISED PER WGS 2ND REVIEW COMMENTS

CERTIFICATION AND SEAL

I HEREBY CERTIFY THAT THIS PLAN AND SPECIFICATION WAS PREPARED BY ME OR UNDER MY DIRECT SUPERVISION AND THAT I AM A DULY REGISTERED ARCHITECT OR ENGINEER UNDER THE LAWS OF THE STATE OF FLORIDA AS SIGNIFIED BY MY HAND AND SEAL.

ALAN C. GUENTHER, P.E.  
 FL P.E. NO. 53308

PROJECT NAME  
**STORE #13450**  
**SWC OF FOURAKER & NORMANDY**  
**JACKSONVILLE, FLORIDA**

DRAWING TITLE  
**DETAILS**

DATE: 11.24.09	HALGREENS STORE NO. 13450	DRAWING NO. S4.4
DRAWN BY: MAK	SCALE: AS NOTED	FWH PROJECT NO. 0913
REVIEWED BY: ACG	RELEASED TO CONSTRUCTION	

P:\ACG\ACG\Projects\101012\101012.dwg - 11/24/09 10:10:10 AM - 11/24/09 10:10:10 AM - 11/24/09 10:10:10 AM