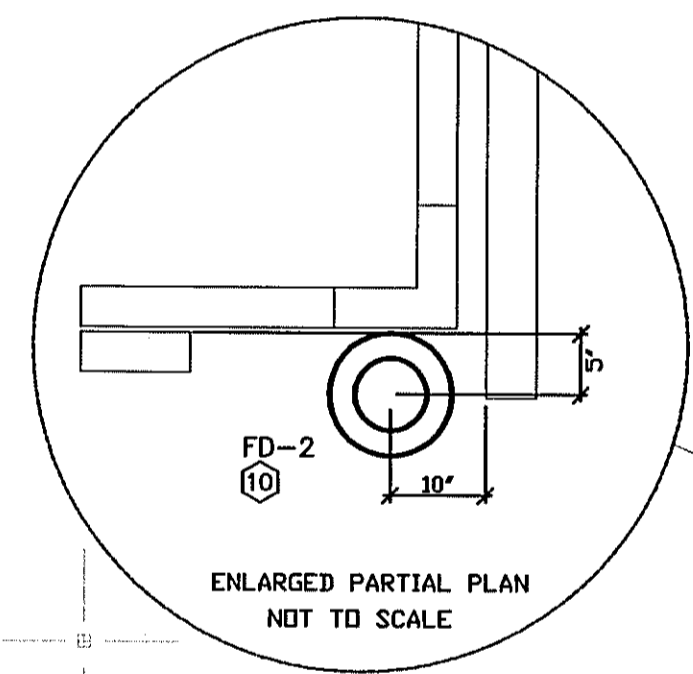
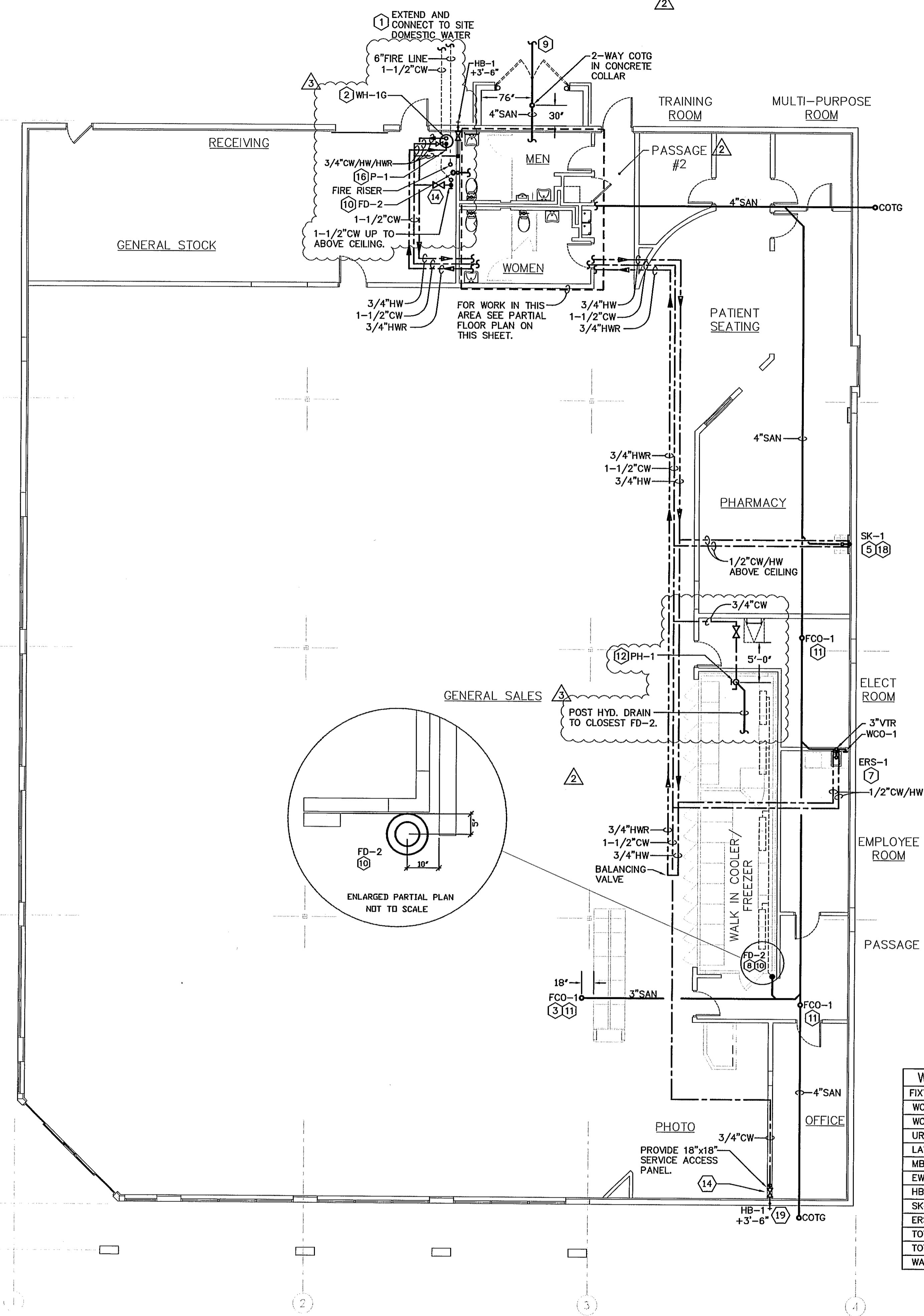


PROJECT TYPE

DRAWINGS/SPECIFICATIONS BY:  
 WALGREENS' CONSULTANT  
 LANDLORD'S CONSULTANT

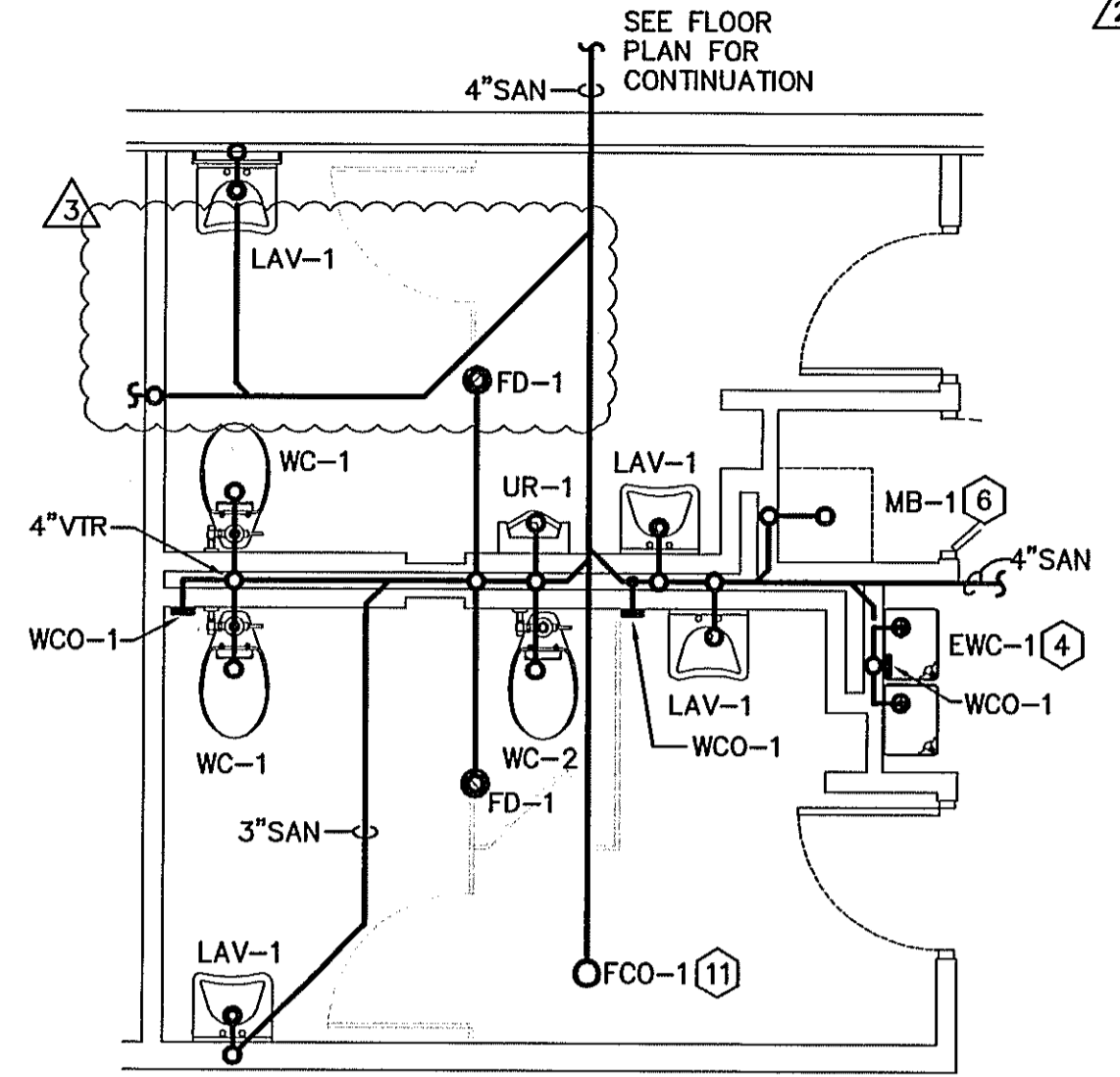
CONSTRUCTION WORK BY: (UNLESS NOTED OTHERWISE)  
 WALGREENS' CONTRACTOR  
 LANDLORD'S CONTRACTOR (TURNKEY CONSTRUCTION)

STORE	BUILDING
NEW..... <input type="checkbox"/>	NEW..... <input type="checkbox"/>
REMODELING... <input type="checkbox"/>	EXISTING..... <input type="checkbox"/>
RELOCATION... <input type="checkbox"/>	NEW SHELL ONLY <input type="checkbox"/>
OTHER..... <input type="checkbox"/>	

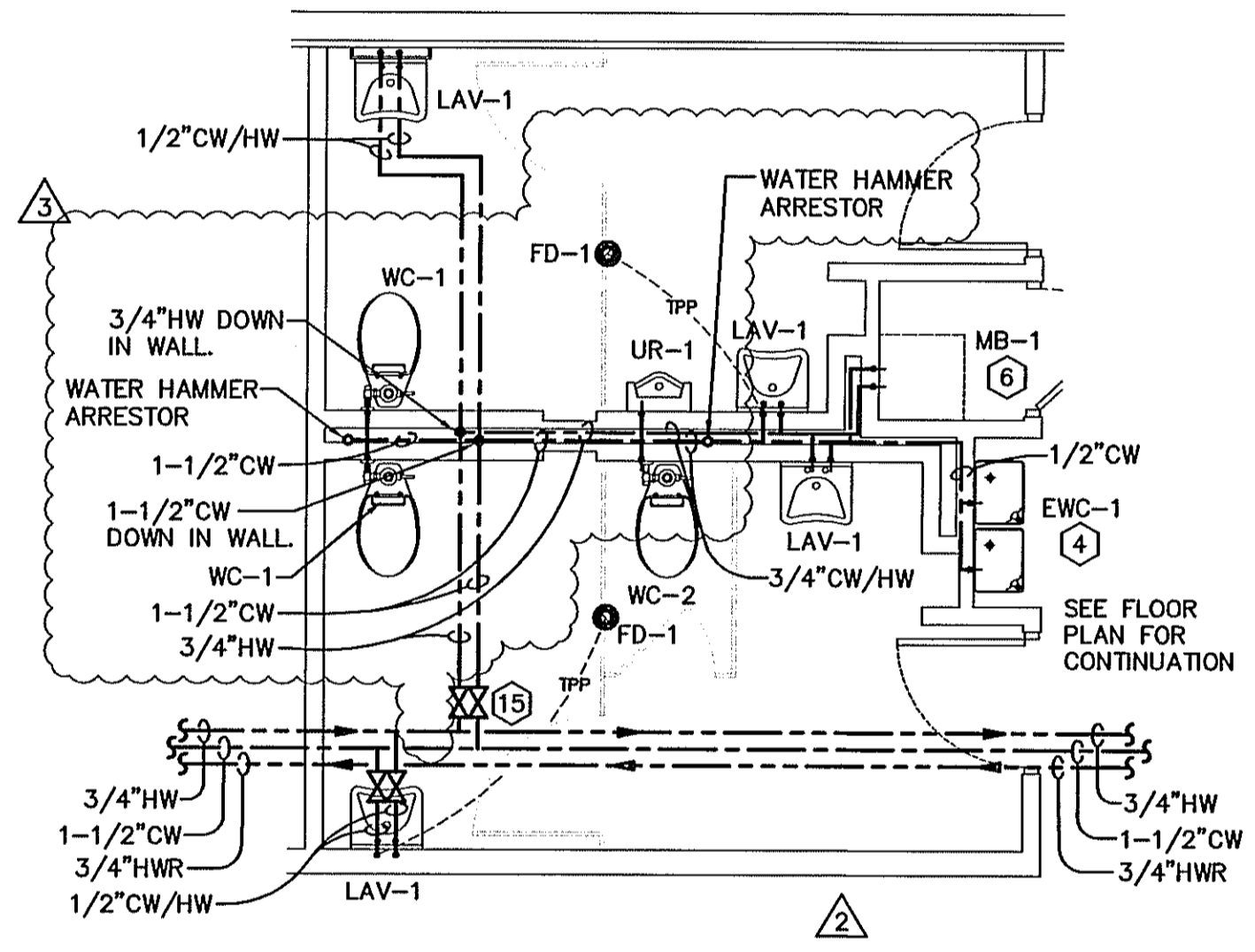


### PLUMBING LEGEND

	SAN	SANITARY PIPING
	CW	COLD WATER PIPING
	HW	HOT WATER PIPING
	HWR	HOT WATER RETURN
	CD	CONDENSATE DRAIN
		SANITARY VENT PIPING
	TPP	TRAP PRIMER PIPING
	FD-1	FLOOR DRAIN
	FCO-1	FLOOR CLEAN OUT - NOT ALLOWED IN PHARMACY
	FD-2	FUNNEL FLOOR DRAIN
	HB-1	HOSE BIBB
	PH-1	POST HYDRANT



**PARTIAL FLOOR PLAN - SANITARY**  
SCALE: 1/4"=1'-0" 9064



**PARTIAL FLOOR PLAN - WATER**  
SCALE: 1/4"=1'-0" 9064

### WATER FIXTURE COUNT

FIXTURE	QUANTITY	WSFU	TOTAL
WC-1	2	10.0	20.0
WC-2	1	10.0	10.0
UR-1	1	5.0	5.0
LAV-1	4	2.0	8.0
MB-1	1	3.0	3.0
EWC-1	2	0.25	0.5
HB-1	3	3.0	9.0
SK-1	1	1.4	1.4
ERS-1	1	1.4	1.4
<b>TOTALS</b>			<b>58.3</b>
<b>TOTAL GPM</b>			<b>54</b>
<b>WATER SERVICE NEEDED</b>			<b>1.5"</b>

- ### PLUMBING KEYED NOTES
- WATER SERVICE. PROVIDE BFP PER CODE. SEE DETAIL 5/P2.1.
  - WH-1G - GAS WATER HEATER, SEE DETAIL 4/P2.1 AND 9/P2.1.
  - LOCATE FDD IN AN AISLE WITH 18" MINIMUM CLEARANCE AROUND IT AS SPECIFIED BY CODE.
  - WATER COOLER. PROVIDE 1/2" C.W.; 1 1/2" DRAIN AND VENT IN WALL (MOUNTED 3'-0" A.F.F. TO CENTER LINE OF NOZZLE).
  - SK-1, RX SINK. PROVIDE 1/2"C.W.; 1/2"H.W.; 1 1/2" DRAIN AND 1-1/2" VENT IN WALL. SEE DETAIL 1/P2.1.
  - MB-1 - MOP BASIN. PROVIDE 1/2"C.W.; 1/2"H.W.; 105 DEGREE F.; 3" DRAIN AND VENT IN WALL.
  - EMPLOYEE ROOM SINK. PROVIDE 1/2"C.W.; 1/2"H.W.; 1 1/2" DRAIN AND VENT IN WALL.
  - ROUTE CONDENSATE DRAIN LINES FROM COOLER EVAPORATOR TO FD-2.
  - 4" SANITARY LINE. SEE CIVIL FOR CONTINUATION.
  - COMBINATION FUNNEL/FLOOR DRAIN. DO NOT LOCATE ANY PORTION OF FD-2 UNDER ANY PORTION OF COOLER/FREEZER OR ANY PARTITION. DO NOT ENCRUSH ON ADA PASSAGEWAY.
  - FLOOR CLEAN-OUT TO ACCEPT FLOOR TILE.
  - POST HYDRANT (PH-1) ABOVE ROOF FOR MAINTENANCE OF EQUIPMENT. PROVIDE A DRAIN LINE FROM POST HYDRANT DRAIN PORT TO FUNNEL/FLOOR DRAIN. SEE DETAIL 12/P2.1.
  - NOT USED.
  - LOCATE THE WATER PIPING FOR HOSE BIBB IN THE WALL WITH THE UNION AND SHUT-OFF VALVE BEHIND AN 18"x18" SERVICE ACCESS PANEL.
  - CW SHUT-OFF VALVES LOCATED ABOVE CEILING. MATCH TO PIPING SIZE. PROVIDE AT ALL HOT AND COLD WATER SUPPLIES TO PLUMBING FIXTURES.
  - P-1 - HOT WATER RECIRCULATION PUMP.
  - NOT USED.
  - PHARMATE REVERSE OSMOSIS DISPENSER. FAUCET, FILTERS AND INSTALLATION KIT PROVIDED BY WALGREENS, INSTALLED BY PLUMBING CONTRACTOR. FAUCET TO BE MOUNTED ON PHARMACY SINK AND DISPENSER AT END OF BOTTLE BAY SHELF (FIELD VERIFY EXACT LOCATION).
  - 3/4" CW DOWN IN WALL TO HB-1. FURNISH WITH SHUT-OFF VALVE, UNION, AND 18"x18" ACCESS PANEL FOR SERVICING.

**FLOOR PLAN - PLUMBING**  
SCALE: 1/8"=1'-0" 9064

NO.	DATE	DESCRIPTION
1		
2	02.05.10	REVISED PER WGS 1ST REVIEW COMMENTS
3	04.05.10	REVISED PER WGS 2ND REVIEW COMMENTS

NO.	DATE	DESCRIPTION

CERTIFICATION AND SEAL

I HEREBY CERTIFY THAT THIS PLAN AND SPECIFICATION WAS PREPARED BY ME OR UNDER MY DIRECT SUPERVISION AND THAT I AM A DULY REGISTERED ARCHITECT OR ENGINEER UNDER THE LAWS OF THE STATE OF FLORIDA AS SIGNIFIED BY MY HAND AND SEAL.

RON. R. RENNA  
FL LICENSE NO. PE56667

PROJECT NAME  
**STORE #13450**  
**SWC OF FOURAKER & NORMANDY**  
**JACKSONVILLE, FLORIDA**

DRAWING TITLE  
**PLUMBING FLOOR PLAN**

DATE: 11.30.09	WALGREENS STORE NO. 13450	DRAWING NO. P1.1
DRAWN BY: CN	SCALE: AS NOTED	FWH PROJECT NO. 013
REVIEWED BY: RR	RELEASED TO CONSTRUCTION	

**Renna Enterprises, Inc.**  
 P.E. # 56667 Ronald R. Renna, P.E.  
 AUTH. # 00006631 Consulting Engineers  
 3231 Drone Field Road Ph. (863) 646 1258  
 Lakeland, FL 33811 Fax. (863) 646 8881