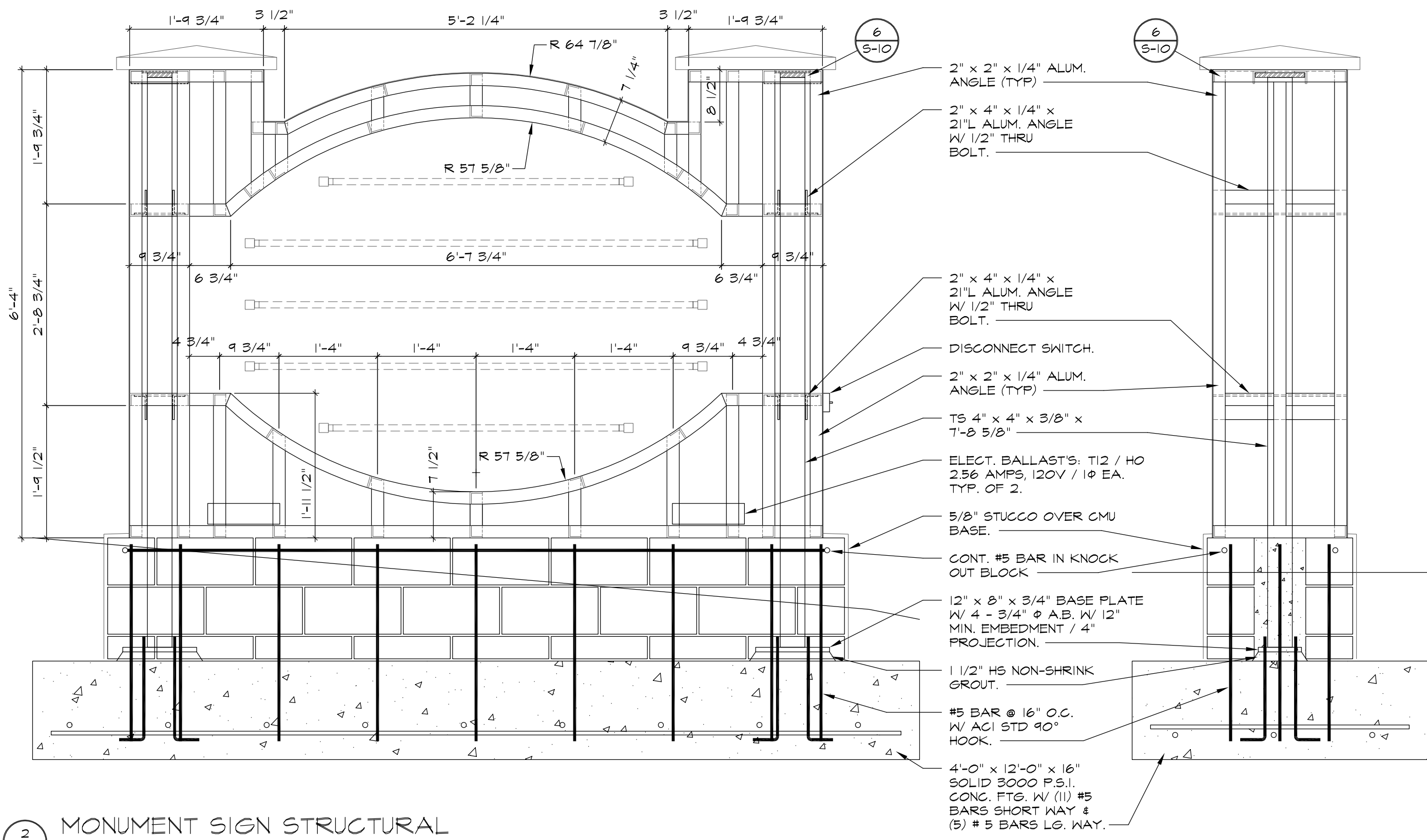
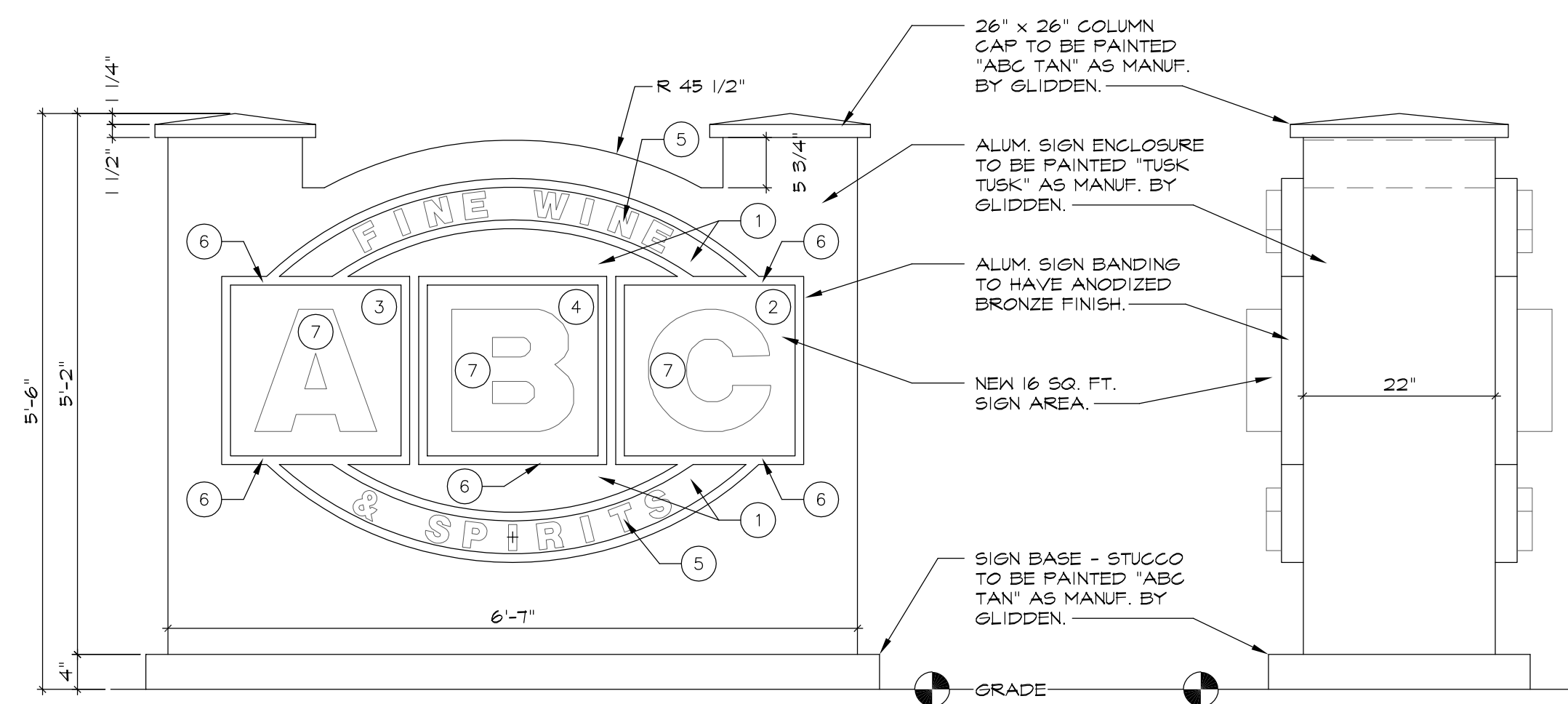


1 MONUMENT SIGN ELEVATION ~ 32 SQ. FT.

PALM COAST PARKWAY



2 MONUMENT SIGN STRUCTURAL

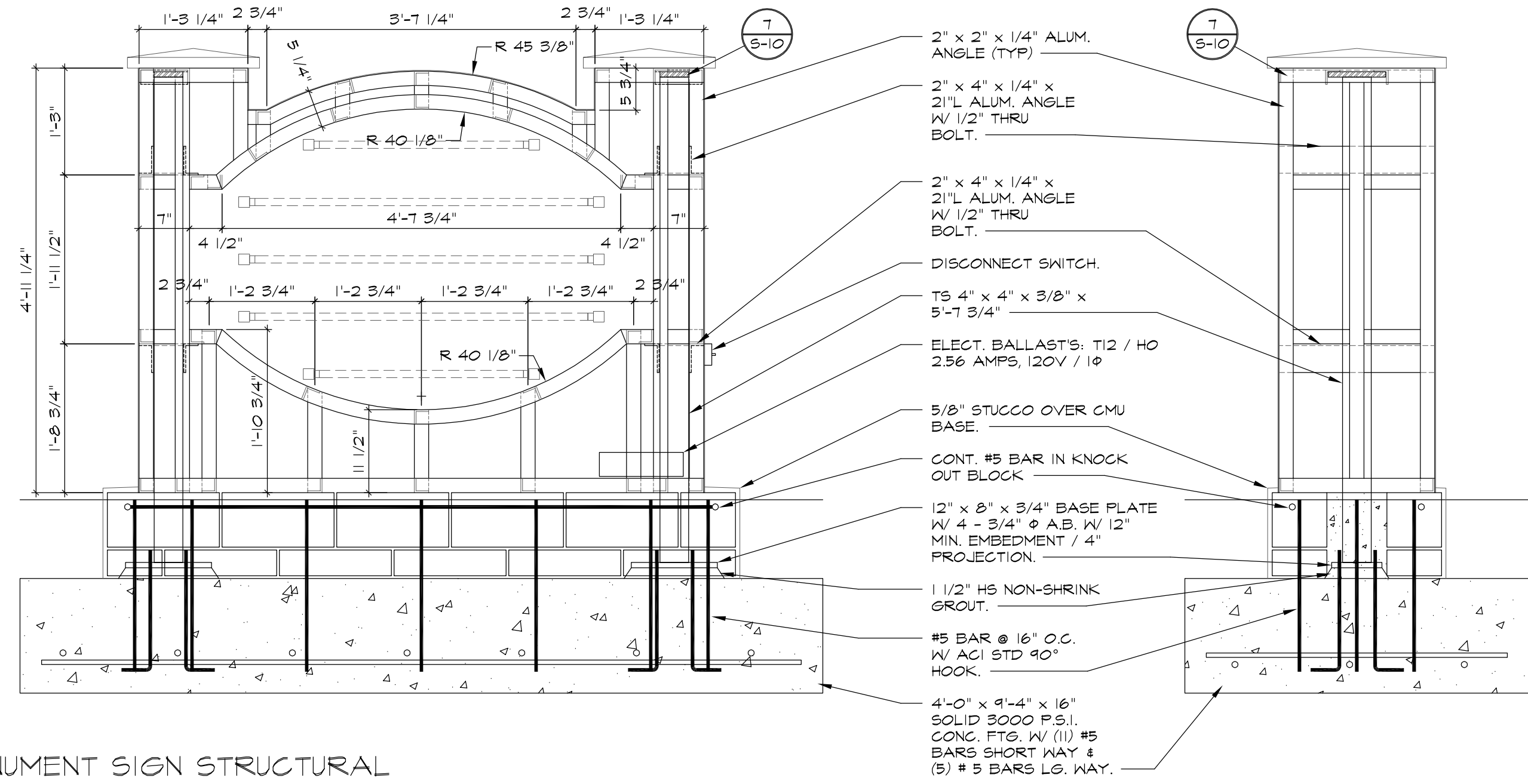


3 MONUMENT SIGN ELEVATION ~ 16 SQ. FT.

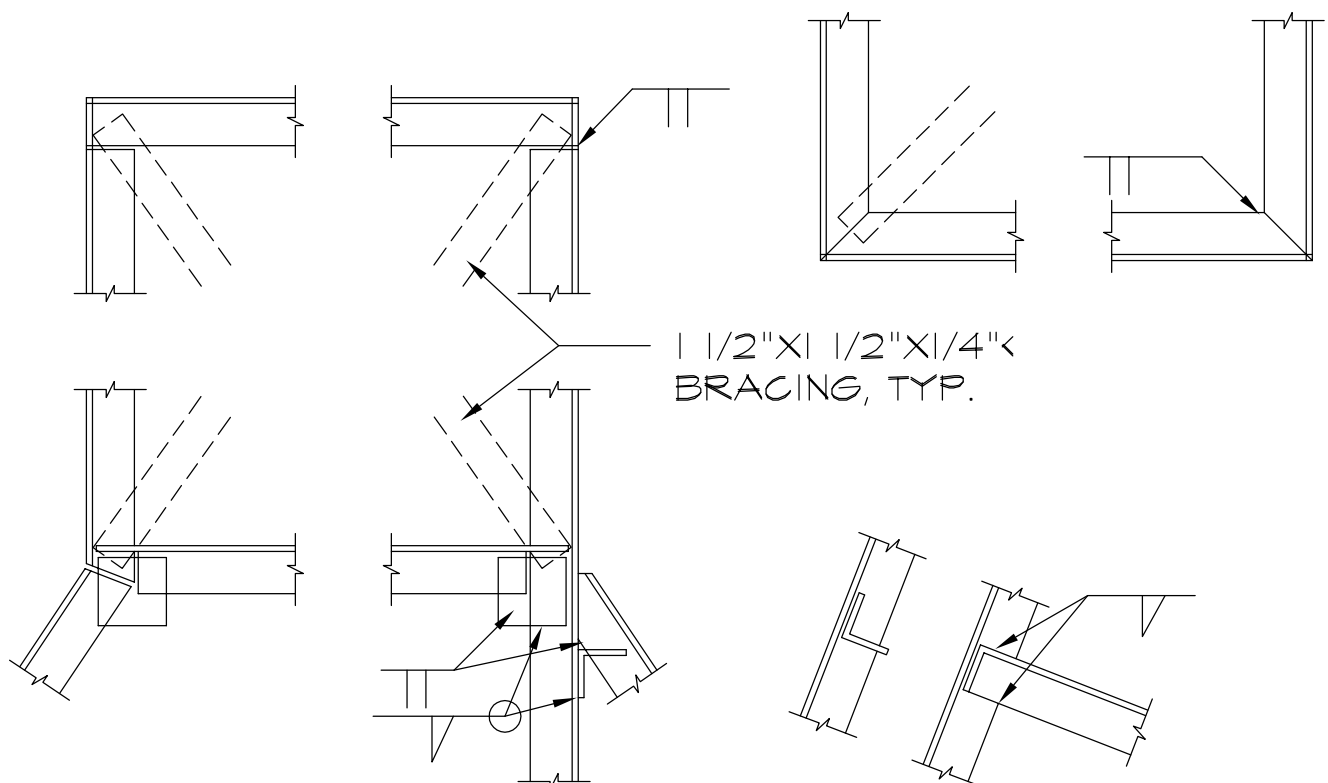
OLD KINGS ROAD

FACE KEY NOTES

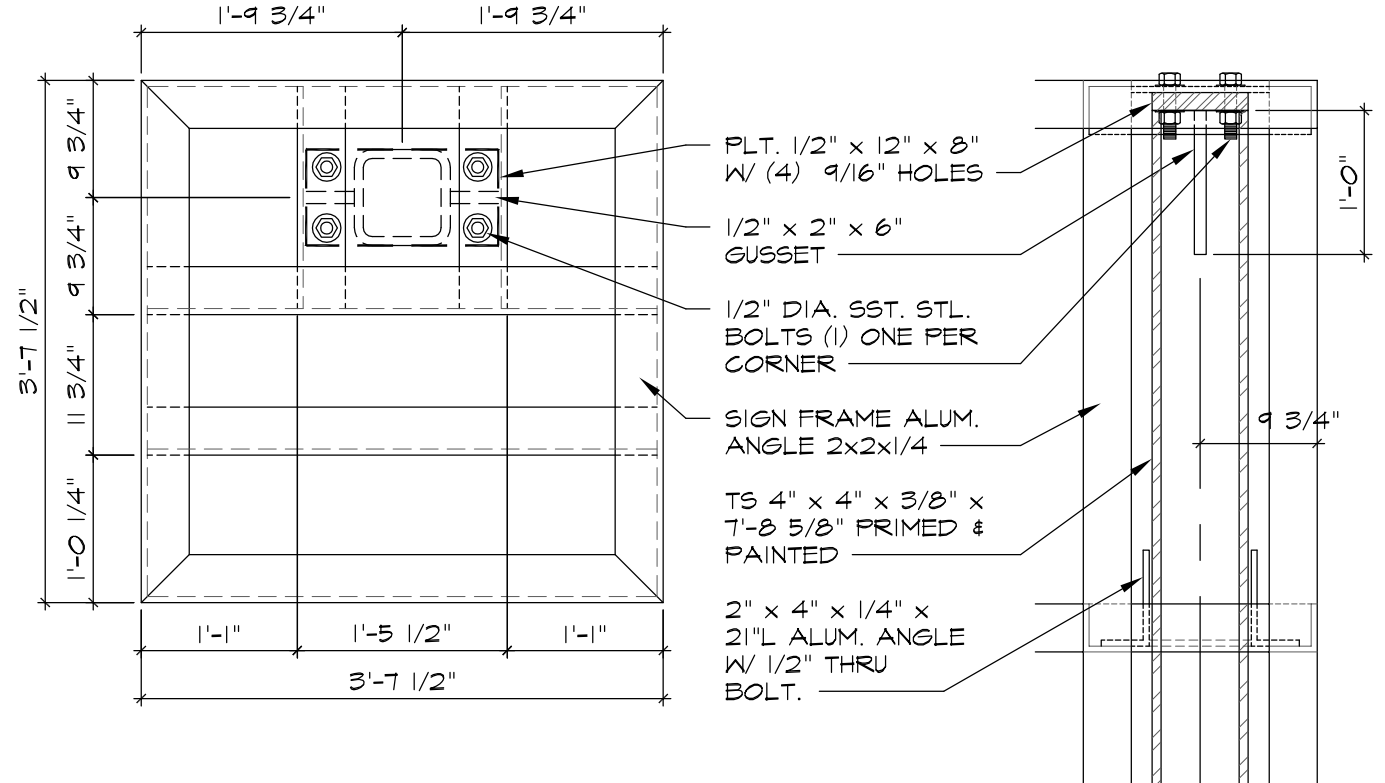
- 1 ILLUMINATE BACKGROUND - WHITE
- 2 ILLUMINATE BACKGROUND - BLUE 300CV
- 3 ILLUMINATE BACKGROUND - GREEN 354CV
- 4 ILLUMINATE BACKGROUND - RED 185CV
- 5 NON-ILLUMINATED CHANNEL LETTERS, BLACK RETURNS, BLACK TRIM, BLACK FACES
- 6 NON-ILLUMINATED BAND, BLACK RETURNS, BLACK TRIM, BLACK FACES
- 7 ILLUMINATED CHANNEL LETTERS, BLACK RETURNS, BLACK TRIM, WHITE FACES



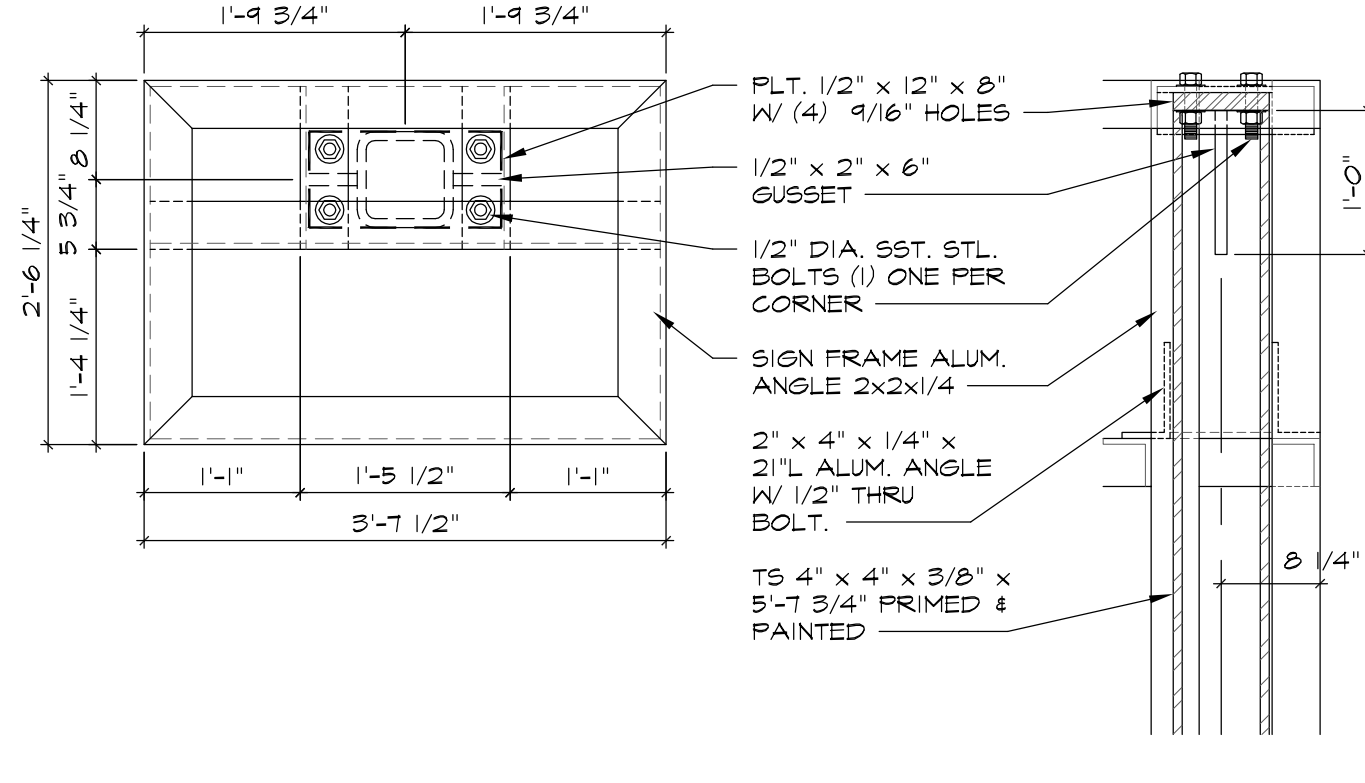
4 MONUMENT SIGN STRUCTURAL



5 CONNECTION DETAIL



6 MOUNTING PLATE DETAIL



7 MOUNTING PLATE DETAIL

SIGN NOTES:

1. ALL STRUCT. STEEL PER ASTM A36, SHOP PRIMED AND PAINTED PER AIA 500. W/ (4) 9/16" HOLES.
2. ALL 2x2x1/4" ALUM. ANGLE TO BE 60 61 T6 GRADE.
3. ALUMINUM PARTS TO BE PROTECTED FROM STEEL FOR GALVANIC ACTION. FINISH, ZINC CHROMATE PRIMER, W/ THERMAL SET ACRYLIC ENAMEL FINISH OR BITUMINOUS COATING.
4. PRIMARY WIRING, LIGHT FIXTURES AND ELECTRICAL HOOKUP BY OWNER.
5. SIGNS TO BE ILLUMINATED VIA A FLUORESCENT LIGHT SOURCE.
6. ALL STL. TUBING SHALL BE ASTM A-500, GRADE 'B' W/ YIELD STRESS OF 46 KSI.
7. SIGNS TO COMPLY W/ 120 MPH WIND LOAD AS REQUIRED BY THE FLORIDA BUILDING CODE.

FREESTANDING SIGN

ONE (1) FREESTANDING SIGN IS ALLOWED PER LOT FRONTAGE.
 MAXIMUM HEIGHT - SEVEN (7) FEET.
 MAXIMUM SIGN AREA THIRTY-TWO (32) SQUARE FEET FOR THE FIRST ONE HUNDRED (100) FEET OF LOT FRONTAGE, PLUS ONE (1) SQUARE FOOT FOR EACH FOUR (4) LINEAL FEET THEREAFTER, TO A MAXIMUM SIZE OF NINETY-SIX (96) SQUARE FEET FOR EACH SIGN.
 PALM COAST PARKWAY (WEST BOUND) - 172.67 LIN. FT. OF FRONTAGE / 172.67 TOTAL LIN. FT. = 100 LIN. FT. = 72.67 LIN. FT.
 72.67 LIN. FT. / 4 = 18.17 SQ. FT. MAX. PROPOSED: (1) 32 SQ. FT. SIGN @ 7' TALL
 OLD KINGS ROAD - 134.88 LIN. FT. OF FRONTAGE / 134.88 TOTAL LIN. FT. = 100 LIN. FT. = 34.88 LIN. FT.
 34.88 LIN. FT. / 4 = 8.72 SQ. FT. MAX. PROPOSED: (1) 16 SQ. FT. SIGN @ 5'-6" TALL

REVISIONS	BY

290 CITRUS TOWER BLVD
 SUITE 200
 CLERMONT, FL 34711
 PHONE: (352)242-0100
 FAX: (352)242-0302

Lindemann Bentzon Bojack
 ENGINEERING DESIGN INSPECTION <<

ABC LIQUORS, INC.
 8989 S. ORANGE AVE. - ORLANDO, FLA. 32809

ABC STORE NO. 197
 PALM COAST, FL

DRAWN:	M. MAISCO
CHECKED:	S. RIVERA
DATE:	2-6-09
SCALE:	AS NOTED
JOB No:	197
SHEET	

S-10

FOUNDATION PLAN