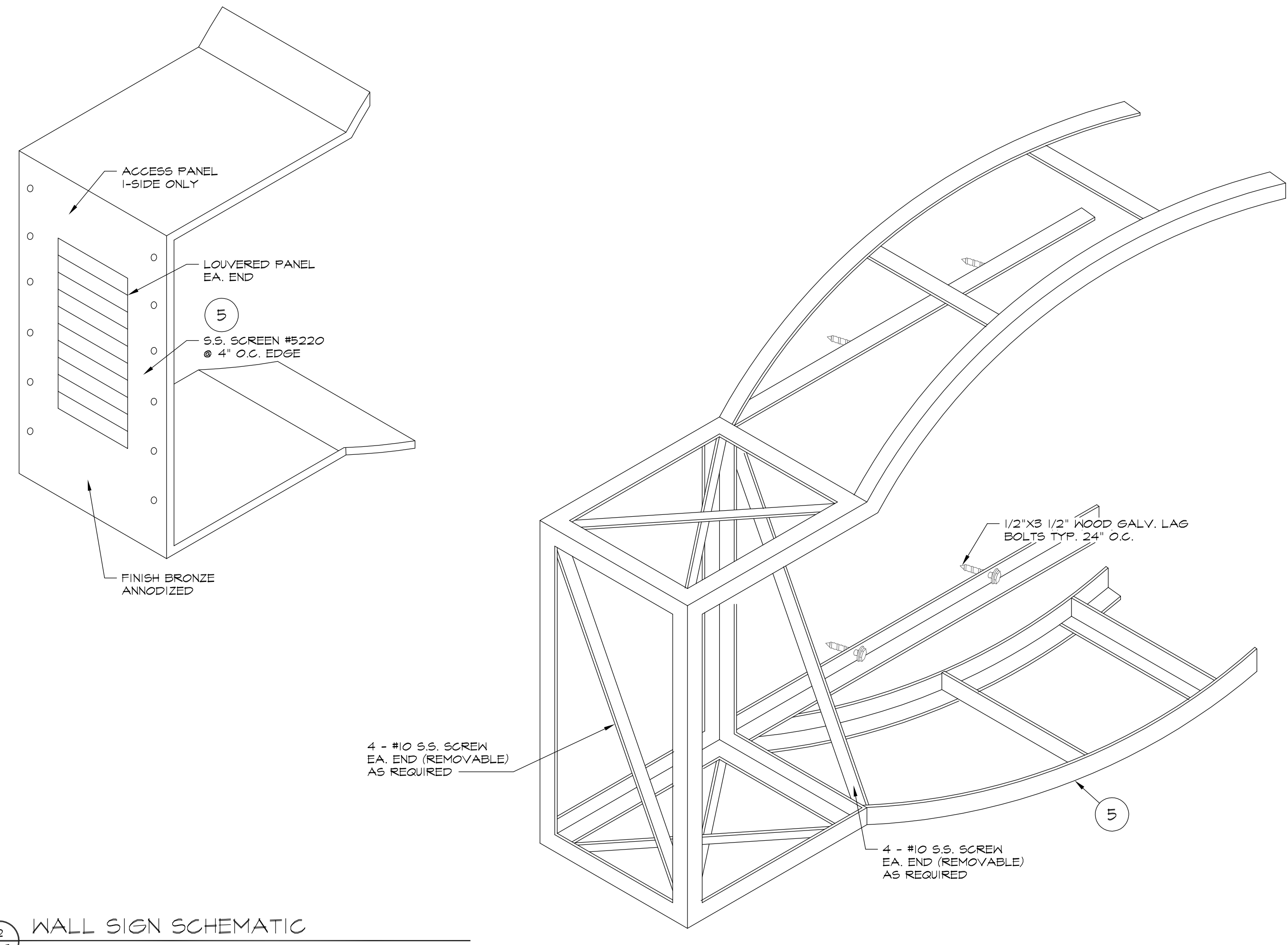
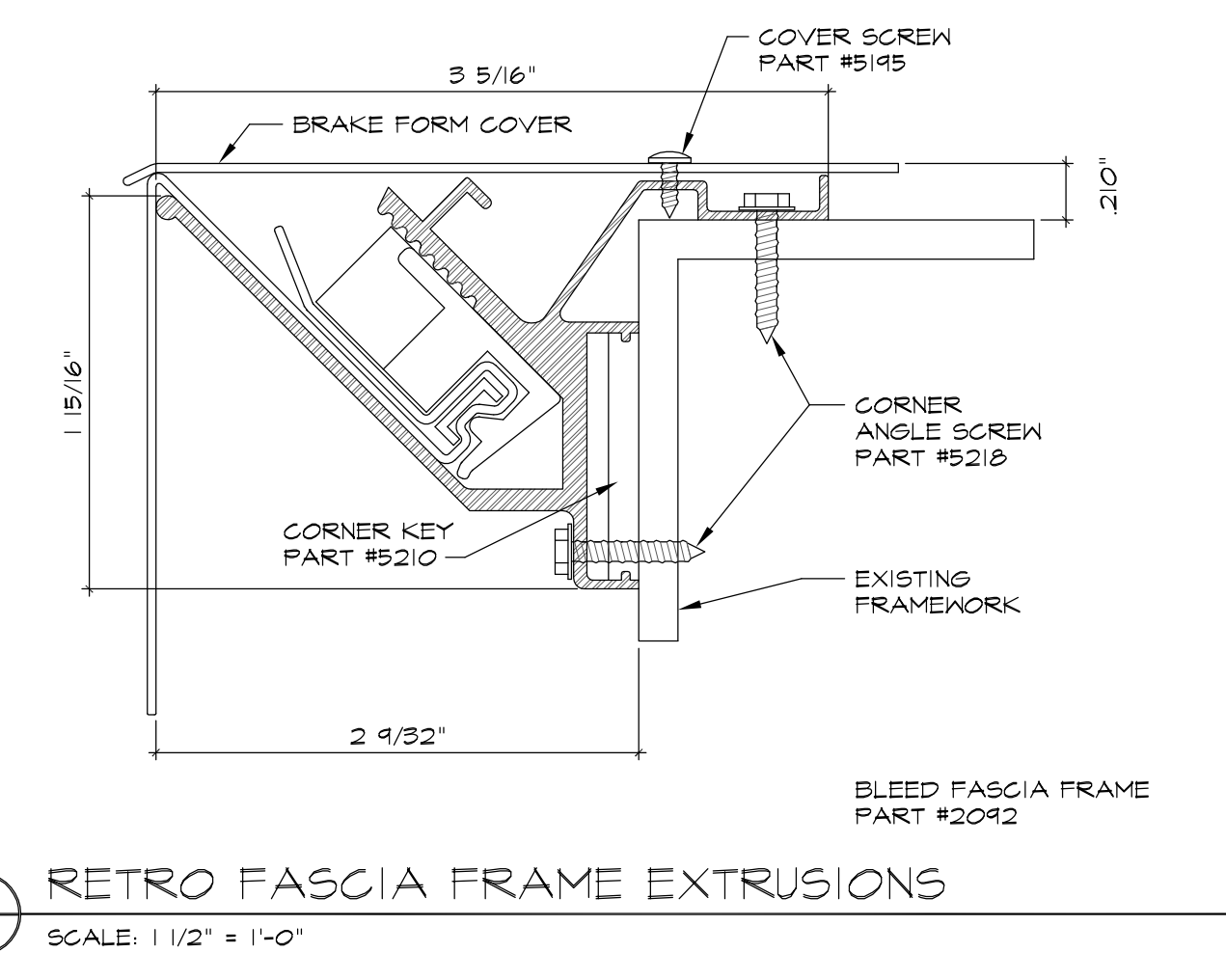


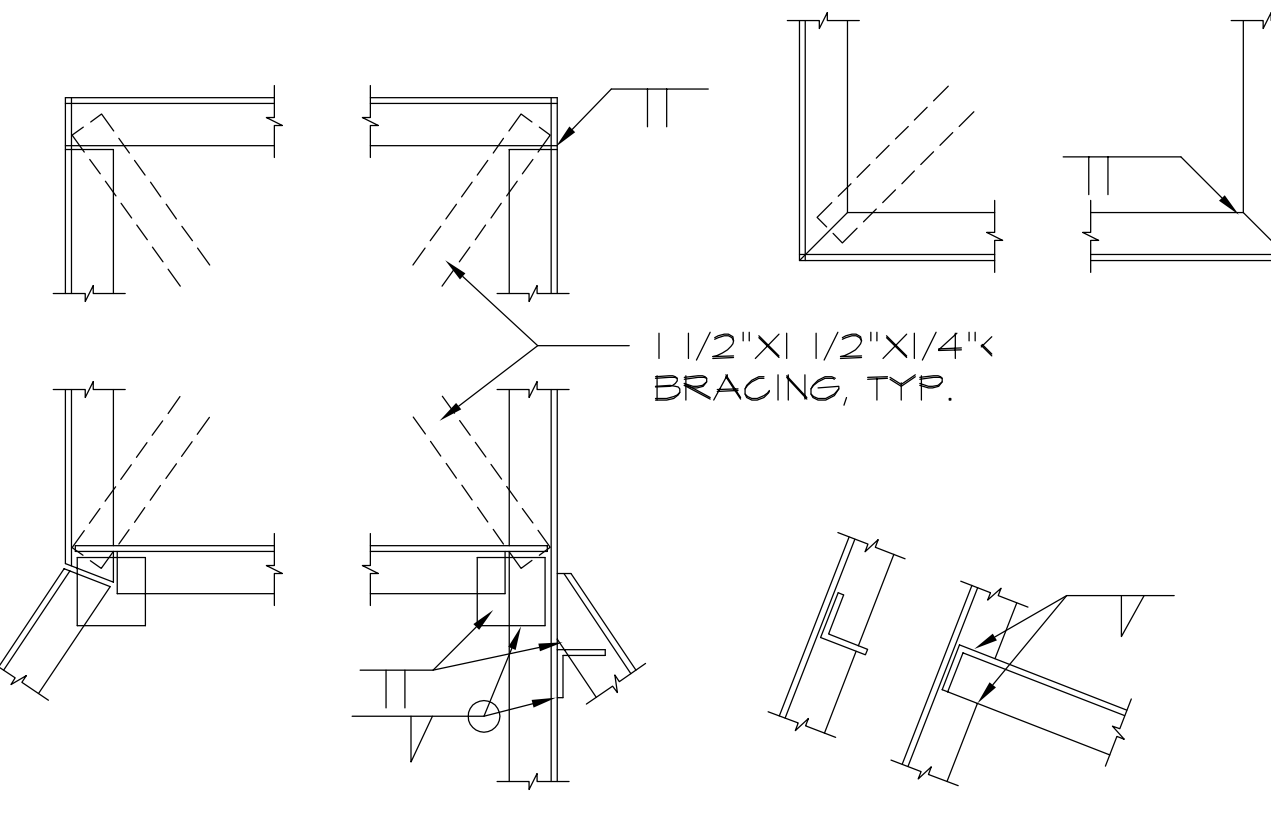
1  
5-4  
DETAIL NAME  
SCALE: 3/4" = 1'-0"



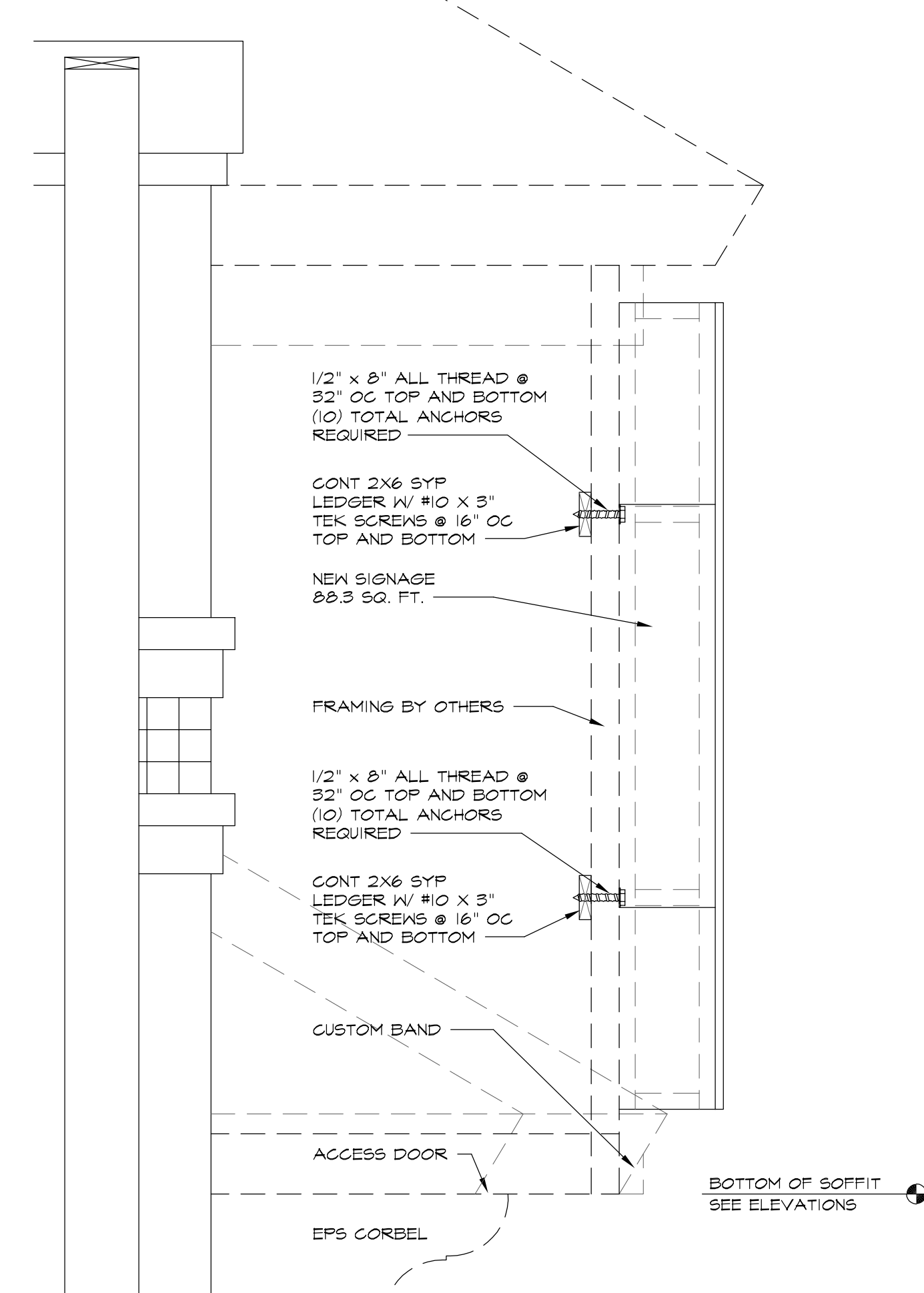
2  
5-4  
WALL SIGN SCHEMATIC  
NOT TO SCALE



3  
5-4  
RETRO FASCIA FRAME EXTRUSIONS  
SCALE: 1 1/2" = 1'-0"



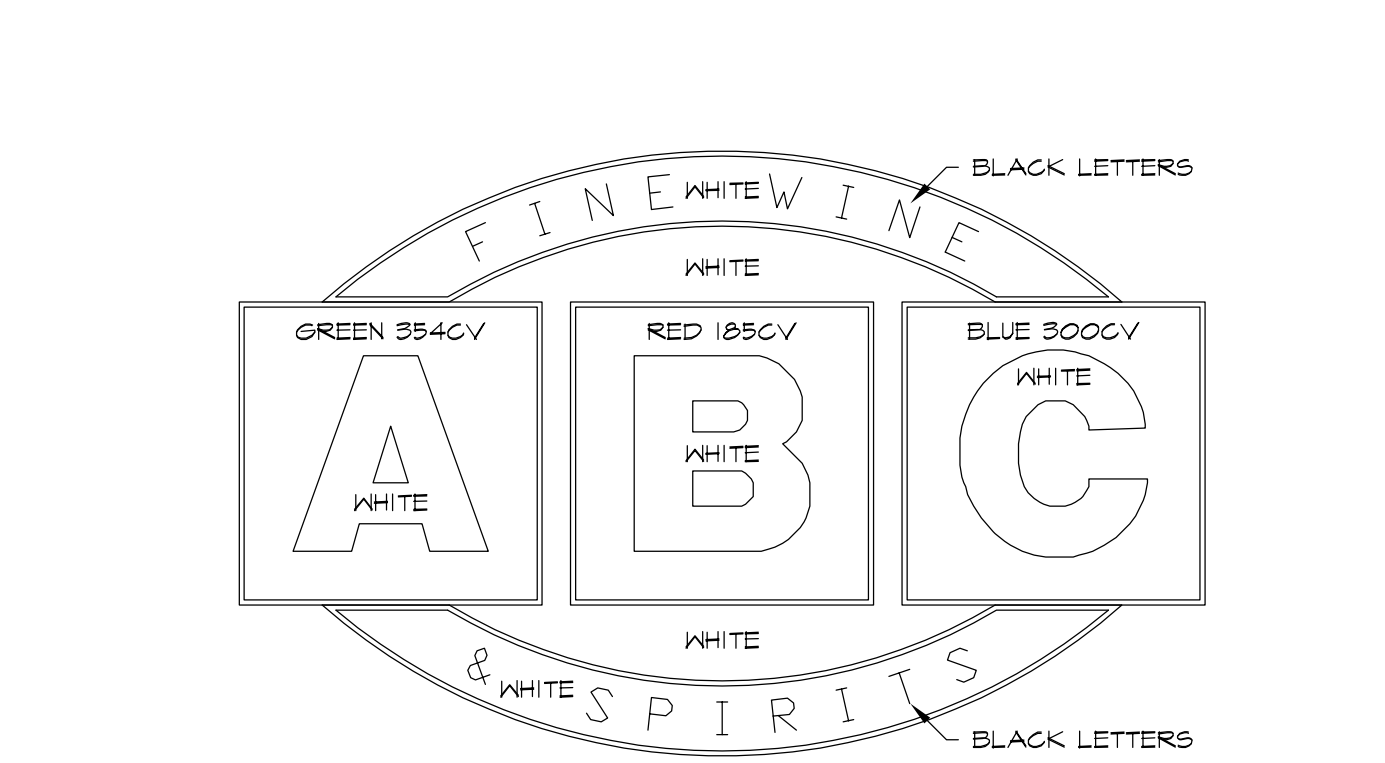
4  
5-4  
CONNECTION DETAIL  
SCALE: 1 1/2" = 1'-0"



5  
5-4  
WALL SIGN SUPPORT DETAIL (88.3 SQ. FT.)  
SCALE: 3/4" = 1'-0"

HARDWARE

PART NO.	PART
5040	CAP SCREW #10 X 1/2" STAINLESS STEEL PHILLIPS FLAT HEAD COUNTERSUNK SCREW - TYPE A
5220	REVEAL TO BODY SCREW #10 X 3/4" STAINLESS STEEL HEX WASHER TAPPING SCREW - TYPE A
5280	HINGE SCREW #10 X 5/8" STAINLESS STEEL ALLEN HEAD SCREW
5290	CLOSURE SCREW #10 X 7/8" STAINLESS STEEL PHILLIPS HEAD SCREW SCREW - TYPE A
5270	SLIDE RETAINER CORNER SCREW #8 X 1 1/2" STAINLESS STEEL PHILLIPS HEAD SCREW SCREW - TYPE A
5240	SLIDE BODY CORNER SCREW #10 X 3/4" STAINLESS STEEL PHILLIPS HEAD SCREW COUNTERSUNK THREAD CUTTING SCREW - TYPE F
5290	RACEWAY COVER SCREW #8 X 1/2" COATED HEX WASHER SLOTTED SCREW
5168	ACCESS FRAME COVER SCREW DIVIDER SCREW #8 X 1 1/2" STAINLESS STEEL PHILLIPS HEAD SCREW COUNTERSUNK SCREW - TYPE A
5195	COVER SCREW 1 1/2" RETAINER SCREW #8 X 1/4" STAINLESS PANHEAD
5218	CORNER ANGLE SCREW #10 X 1/2" STAINLESS STEEL HEX WASHER TAPPING SCREW - TYPE A



6  
5-4  
SIGN COLOR  
NOT TO SCALE

WALL SIGNS

EACH INDIVIDUAL BUSINESS HAVING A SEPARATE BUILDING ENTRANCE SHALL BE PERMITTED ONE (1) WALL SIGN, INCLUDING AWNING AND PROJECTING SIGNS, SUBJECT TO THE FOLLOWING MAXIMUM SQUARE FOOTAGES.

PERMITTED MAXIMUM WALL SIGN AREA IN A NONRESIDENTIAL DISTRICT

BUILDING FRONTAGE (LINEAR FEET)	SIGN AREA (SQUARE FEET)
25 OR LESS	32
26 - 50	50
51 - 100	75
101 - 150	90
151 - 200	110
201 OR MORE	150

144.48 LIN. FT. OF BUILDING FRONTAGE  
110 SQ. FT. MAX. ALLOWABLE

WALL SIGN -

ILLUMINATED WALL SIGN - NOTE'S AND SPECS:

DESIGN CODE:  
FLORIDA BUILDING CODE, 2007 IV/ 2009 AMENDMENTS

WIND LOAD DESIGN CRITERIA FOR SIGN:  
FLORIDA BUILDING CODE 2007 IV/ 2009 AMENDMENTS, CHAPTER 1609  
AMERICAN SOCIETY OF CIVIL ENGINEERS, ASCE 7-05

BASIC WIND VELOCITY -	120 MPH (3 SECOND GUST, ANY DIRECTION)
BUILDING CATEGORY -	II
IMPORTANCE FACTOR -	1.00 (TABLE 1604.5)
EXPOSURE CATEGORY -	B
ENCLOSURE CLASSIFICATION -	OPEN
MAIN WINDFORCE RESISTING SYSTEM PRESSURES:	
ROOF -	27.4 PSF (GROSS UPLIFT)
NET UPLIFT -	14 PSF
WALLS -	22.8 PSF
COMPONENTS AND CLADDING -	34.1 PSF

CONTRACTOR TO VERIFY THAT THE SUPPORTING LIGHT-GAGE STEEL FRAMING MATCHES THE ORIGINAL DRAWING PLANS AND ARE SUPPORTED TO THE BEARING WALL ACCORDING TO THE BUILDING PLANS. ANY DISCREPANCIES NOTED SHOULD BE REPORTED TO THE ENGINEER OF RECORD, 352-242-0100. ANY CHANGES TO THESE PLANS SHOULD BE APPROVED IN WRITING.

SIGN FRAME IS DESIGNED FOR USE WITH "SIGN COMP" ALUMINUM RETRO FASCIA FRAME EXTRUSIONS, 6061-T6 ALUM. (7) PART #2094, WITH ALUMINUM BRAKE FORM COVER (5) 16 GA. ALUM. 3004-H14, FOR SIDE PANELS.

ALUMINUM PARTS TO BE PROTECTED FROM STEEL FOR GALVANIC ACTION. FINISH: ZINC CHROMATE PRIMER, W/ THERMAL SET ACRYLIC ENAMEL FINISH, OR BITUMINOUS COATING.

THE FLEXIBLE FABRIC AND FRAME EXTRUSIONS TO BE INSTALLED PER MANUFACTURERS INSTRUCTION (8)

PRIMARY WIRING DISCONNECT, LIGHT FIXTURES PROVIDED BY OWNER.

ASSEMBLY NOTE'S:

- 2X2X1/4 ANGLE @ 2 TOP SUPPORTS
- 2X2X1/4 ANGLE @ 2 OUTSIDE TOP SUPPORTS
- 2X2X1/4 ANGLE @ 2 OUTSIDE BOTTOM SUPPORTS
- 2X2X1/4 ANGLE FOR SIGN FRAME

CONTRACTOR TO VERIFY ALL WALL CONNECTIONS AND SIZES. CONTRACTOR RESPONSIBLE FOR ALL JOB SAFETY AND SHORING.

REVISIONS BY

NO.	DATE	BY

290 CITRUS TOWER BLVD  
SUITE 200  
CLERMONT, FL 34711  
PHONE: (352)242-0100  
FAX: (352)242-0302

**Lindemann  
Bentzon  
Bojack**

ENGINEERING DESIGN INSPECTION <<

**ABC LIQUORS, INC.**  
8989 S. ORANGE AVE. - ORLANDO, FLA. 32809

**ABC STORE NO. 197**  
PALM COAST, FL

DRAWN: M. MAISCO  
CHECKED: S. RIVERA  
DATE: 2-6-09  
SCALE: AS NOTED  
JOB No: 197  
SHEET

WALL / WINDOW SIGN

S-9