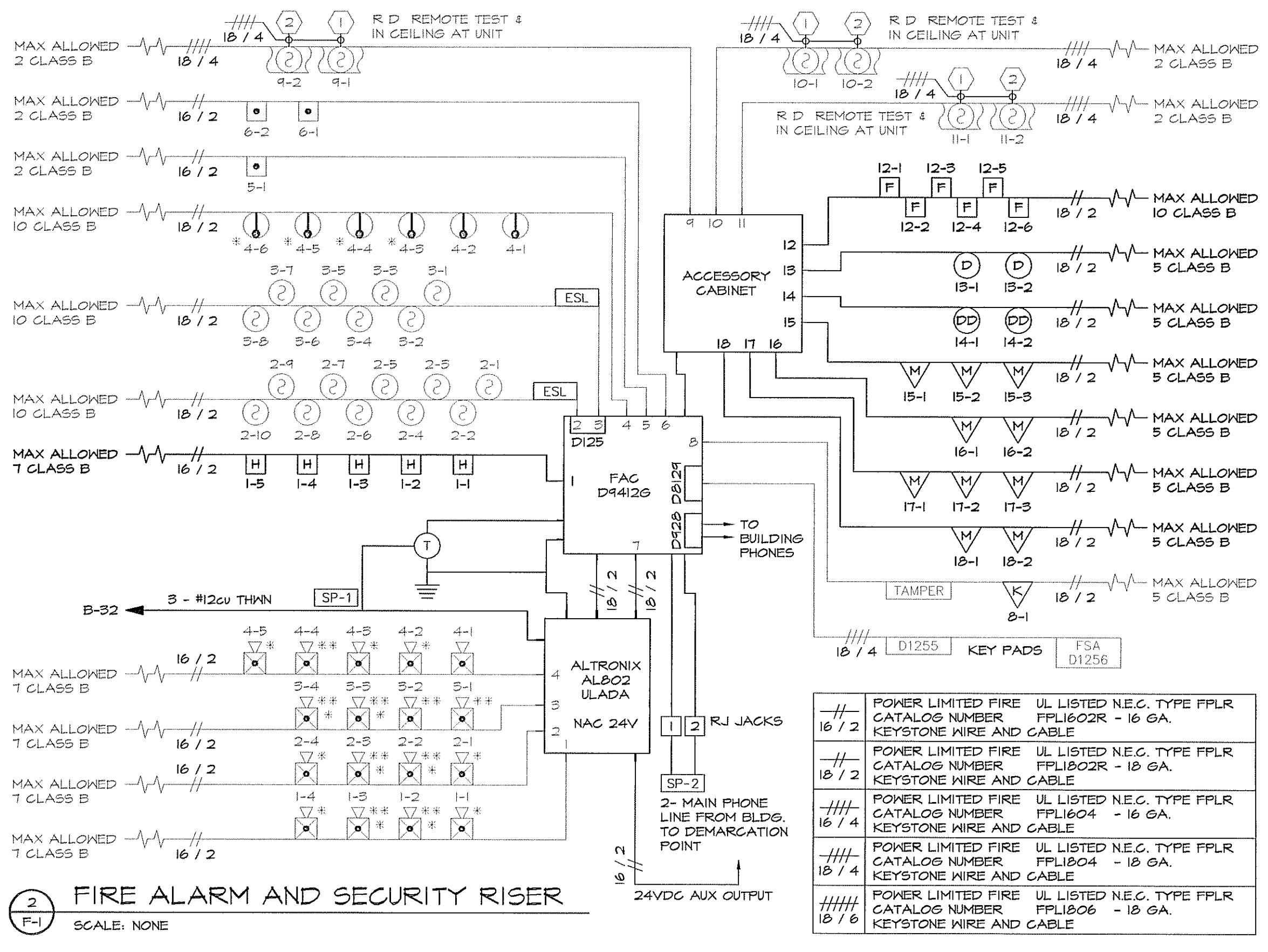


FIRE ALARM SYSTEM POINT LIST				SECURITY ALARM SYSTEM POINT LIST			
POINT	ZONE DESCRIPTION	FACP	NOTIFICATION CIRCUITS	POINT	ZONE DESCRIPTION	POINT	ZONE DESCRIPTION
PT-2	SMOKE DETECTOR	NAC-1	HORN & STROBE SUPERVISION	PT-14	HOLD UP	PT-14	FRONT DOOR
PT-3	SMOKE DETECTOR	NAC-2	HORN & STROBE SUPERVISION	PT-15	TAMPER KNOX BOX	PT-15	FRONT STORE FIR
PT-4	HEAT DETECTORS	NAC-3	HORN & STROBE SUPERVISION	PT-16	GLASS BREAK	PT-16	FRONT STORE FIR
PT-5	FRONT STORE PULL STATION	NAC-4	HORN & STROBE SUPERVISION	PT-17	REAR STORE PULL STATION	PT-17	REAR STORE FIR
PT-6	REAR STORE PULL STATION			PT-18	REAR DOOR	PT-18	ROOM FIR
PT-7	A/G DUCT SMOKE DETECTOR #1			NOTE: THIS IS AN INSTALLATION DIAGRAM AND IT IS EXPECTED THAT THE SYSTEM WILL BE INSTALLED IN ACCORD WITH THIS DIAGRAM.			
PT-8	A/G DUCT SMOKE DETECTOR #2						
PT-9	A/G DUCT SMOKE DETECTOR #3						



2 FIRE ALARM AND SECURITY RISER
SCALE: NONE

FIRE ALARM NOTES:

- CONTRACTOR IS RESPONSIBLE FOR PHONE LINE HOOK UP TO RJ45 JACK TO ALARM SYSTEM AND PHONE LINES FROM PHONE BOARD TO ALARM BOARD. THE C.A.T.V. SYSTEM TO BE FULLY OPERATIONAL. 2-CONDUCTOR FROM ALARM C.O.T.O. RELAY TO VCR FOR REAL TIME ACTIVATION.
- CONTRACTOR IS RESPONSIBLE TO PROVIDE A LOG BOOK AND DRAWINGS, WHICH SHALL BE ATTACHED TO SECURITY ALARM PANEL.
- CONTRACTOR WILL SUPPLY ALL REQUIRED EQUIPMENT, TESTING AND MATERIAL TO SUPPLY ABC W/ A FULLY OPERATIONAL SECURITY ALARM SYSTEM.
- NO WIRES TO BE EXPOSED.
- ABC - ID #441067-001 IS TO MONITOR THIS SYSTEM W/ CENTRAL STATION CONTACT # (407) 851-0000 (EXT. 2443), U.L. FILE # 52624-1 FIRE ALARM.
- CONTRACTOR TO PROVIDE AND APPLY ALL NECESSARY CERTIFICATION LABELS ON THE FIRE ALARM PANEL, AND FILE ALL REQ'D. PAPER WORK TO REGISTER AND CERTIFY THE PANELS.
- ALL LOW VOLTAGE WIRING TO MEET REQUIREMENTS OF UL LISTING TYPE FPLR. WIRING TO BE IN RACEWAY IN INACCESSIBLE LOCATIONS, ALL RACEWAYS TO HAVE APPROVED TRANSITION FITTINGS FROM IN ACCESSIBLE LOCATIONS TO ACCESSIBLE LOCATIONS.
- CONTRACTOR TO LABEL ALL DEVICES.
- ELECTRICAL CONTRACTOR TO PROVIDE 1-1/2" CHASE THROUGH FIREWALL TO TERMINATE ON EACH SIDE OF FIRE WALL (OVER 24" INCHES FROM EACH SIDE OF FIRE WALL.) IN A 12"x12"x1/2" BOX.
- ALL DEVICE LOCATION ARE APPROX. "VERIFY" OR AS STATED ON PLAN.
- ALL EQUIPMENT IDENTIFIED, COMPATIBLE & LISTED FOR USE & INDICATED ON PLANS INCLUDING UNIQUE IDENTIFICATION NUMBER.
- SYSTEM INSTALLATION SHALL BE CABLED W/ MIN. 18 GA. WIRE SIZE. OPEN WIRE INSTALLATION, CONDUIT SLEEVES USED FOR PROTECTION.
- ALL CONDUIT SHALL BE MIN. 1/2", MAX. 40% FILLED, TYP.
- NALL INITIATING, NOTIFICATION, SINGLE LINE CIRCUITS ARE CLASS B CIRCUITS.
- ALARM CONTRACTOR WILL CONNECT TO SECURITY ALARM SYSTEM.

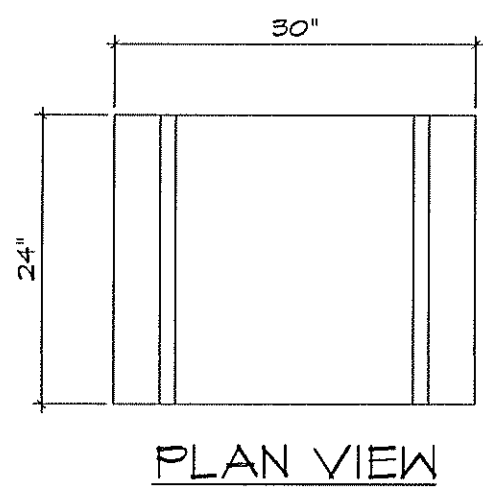
1 SECURITY ALARM PLAN
SCALE: 1/8" = 1'-0"

SECURITY ALARM LEGEND

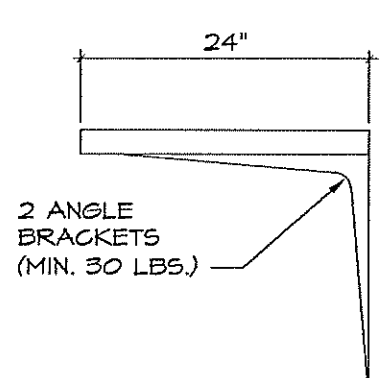
SYMBOL	QTY	DESCRIPTION	LOCATION	MANUFACTURER	REMARKS
[FAC]	1	D94126V2 FIRE ALARM COMMUNICATOR	WALL MOUNT IN ELECTRICAL ROOM	BOSCH	W/ D942B DUAL PHONE SWITCHER @ 100mA
[F]	6	5600 GLASSBREAK	CEILING SURFACE	SENTROL	
[H]	5	A264 HOLD UP BUTTON	UNDER COUNTER MOUNTED TO VERTICAL SURFACE	ADENCO	DB124 OCTO RELAY @ 150mA
[D]	2	10B5T DOOR MAGNETS	RECESSED	SENTROL	D-122 DUAL BATTERY & WIRE HARNESS
[PD]	2	10B5T DOOR SWITCH ON DELAY		SENTROL	
[M]	10	D100ST MOTION DETECTOR	WALL SURFACE ANGLE AS REQUIRED	NAPCO	DB004 TRANSFORMER KIT
[A]	1	SIREN - MPI-B	RECESSED IN HIP	MOOSE	D-1640 16.5 VAC 40 VA TRANSFORMER
[D1255]	1	KEYPAD - D1255A	SURFACE MOUNT	RADIONICS	BOSCH D-1255, D-8004, D-161, D-162 (2), ECT, D-8103 UNIVERSAL ENCLOSURE
[4-B]	6	CCD COLOR CAMERA TDI-14420-0000 4-B (V) @E LENSE RAINBOW		SONY OR APPROVED EQUAL	
[6-12]	10	CCD COLOR CAMERA TDI-14420-0000 6-12 (V) @E LENSE RAINBOW		SONY OR APPROVED EQUAL	
[CT]	1	TVM1001 13" COLOR MONITOR	ON SHELF	TOSHIBA	
[DVR]	1	SECURITY DVR	ON SHELF		
[M]	1	PE-V55104 SWITCHER (COLOR) DUPLEX MULTIPLEXED	ON SHELF	FELECAN	
[~]	8	END OF LINE RESISTOR	IN BOX OR AT DEVICE - SEE POINT ASSIGNMENT	N/A	
	55	TOTAL NUMBER OF DEVICES INSTALLED			

CCTV LEGEND

SYMBOL	QTY	MANUFACTURER	MODEL NUMBER	REMARKS
[C]	16	JVC	TK-C400U	COLOR CAMERA
[H]	6	COMPUTER	T60412FC3-3	LENS
[H]	10	COMPUTER	T6223514FC3-2	LENS
	16	SMC	81035	MOUNT
	16	REVERSE	RT2440SL	24VAC40VA PS



PLAN VIEW



SIDE VIEW

NOTE: 4'-0" MIN. HEIGHT TO BE MOUNTED TO WALL STUD

3 SECURITY SHELF
SCALE: 3/4" = 1'-0"

REVISIONS BY

ARTERBURY ARCHITECTS, INC.
AA 26000718
1008 MAITLAND CENTER COMMONS BLVD
(SUITE 216) MAITLAND, FL 32751
TEL: (407) 774-2233
FAX: (407) 774-7377

Carroll
Arterbury
9-28-09

ABC LIQUORS, INC.
8889 S. ORANGE AVE. - ORLANDO, FLA. 32809
ABC STORE NO. 197
PALM COAST, FL

SECURITY PLAN

DRAWN:	M. MAISCO
CHECKED:	S. RIVERA
DATE:	5-15-09
SCALE:	AS NOTED
JOB No:	197
SHEET	

F-2