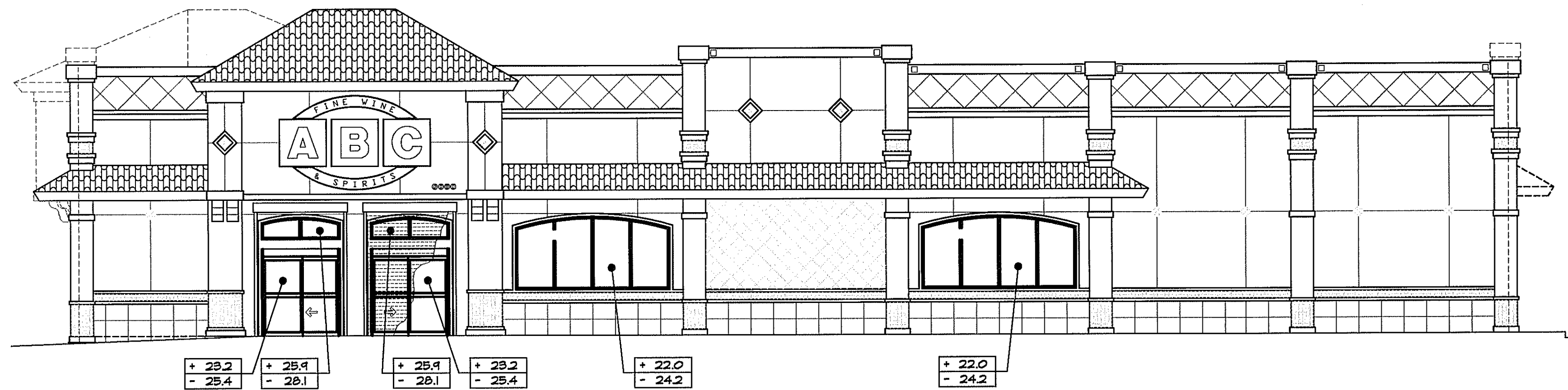


- 1 ELEV. 28'-10" TOP OF FRAMING
- 2 ELEV. 25'-4" TOP OF ICF WALL
- 3 ELEV. 23'-10" TOP OF ICF WALL
- 4 ELEV. 20'-0" TOP OF BAND 'K'
- 5 ELEV. 17'-1" CENTER OF SIGN
- 6 ELEV. 15'-4" BOTTOM OF BAND 'H'
- 7 ELEV. 12'-0" BOTTOM OF SOFFIT
- 8 ELEV. 10'-6" TOP OF WINDOW
- 9 ELEV. 4'-0" TOP OF BANDING 'D'
- 10 ELEV. 0'-0" FINISHED FLOOR



1 EAST ELEVATION (ARCHITECTURAL)
SCALE: 1/8" = 1'-0"

POS
NEG
DENOTES DESIGN WIND PRESSURES IN PSF

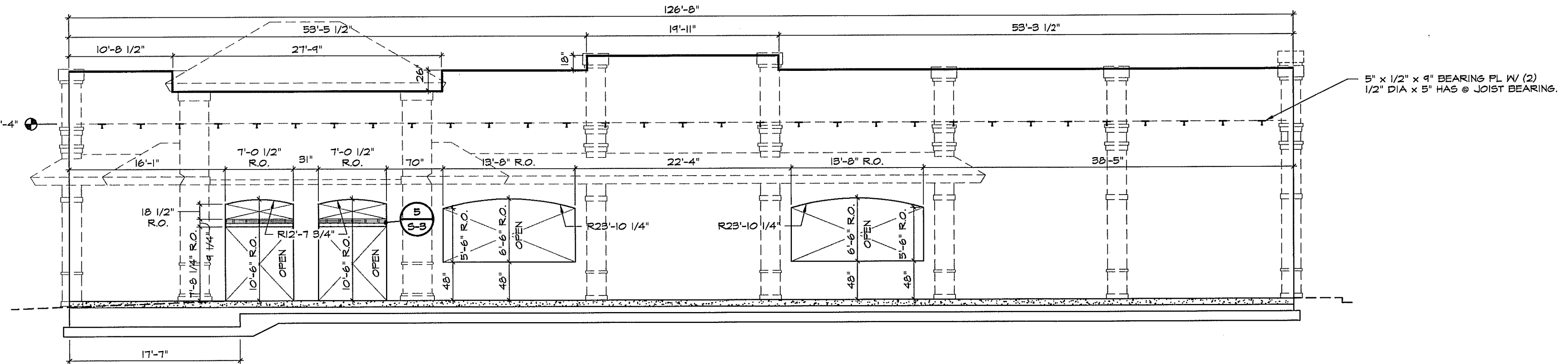
NOTE:
ARCH. ELEV. SHOWN FOR REFERENCE ONLY
REFER TO ARCH. ELEVATIONS FOR
DETAILS & FINISHES.

KEY NOTES

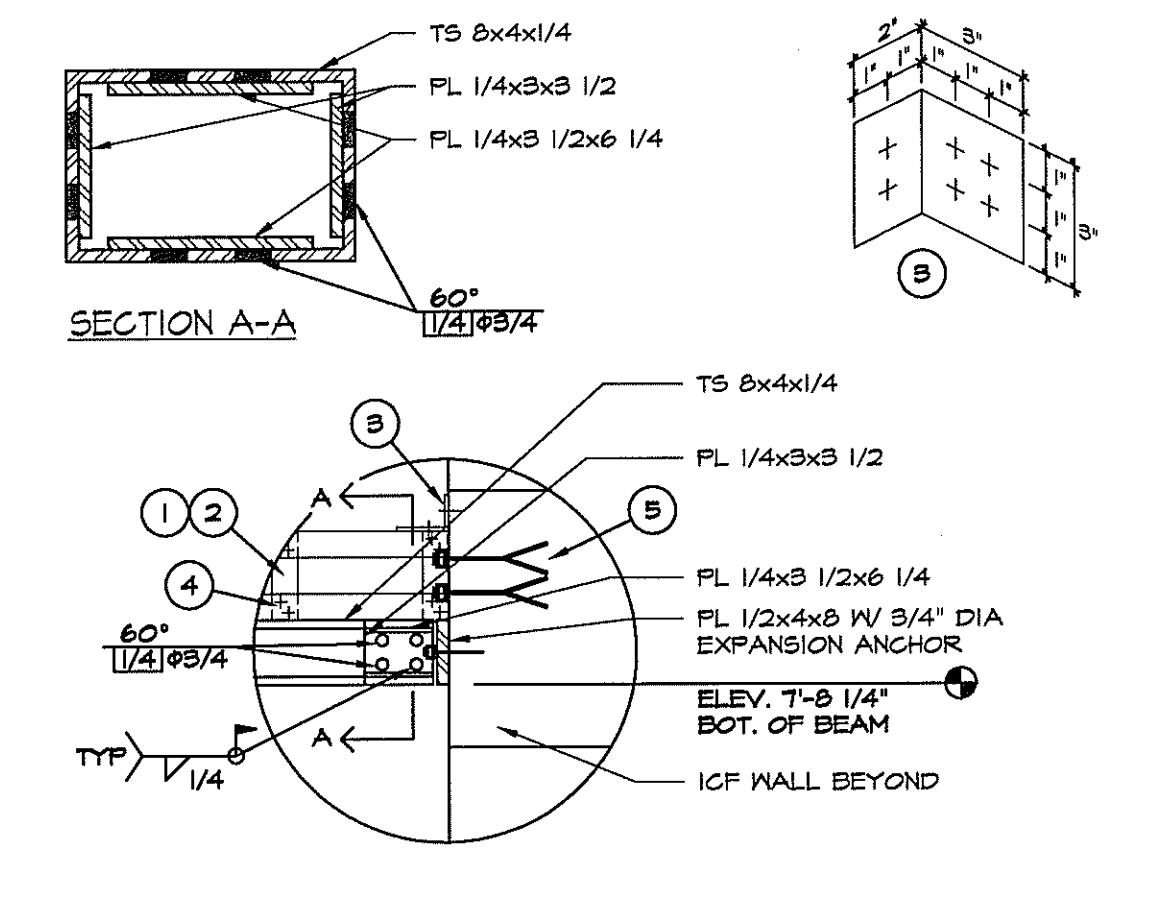
- 1 INFILL FRAMING TO BE MIN. 8" - 16 GA. STUDS W/ 8" - 16 GA TRACK TOP AND BOTTOM - CONNECT BOTTOM TRACK TO STEEL TUBE W/ 2.144" DIA PAF @ 12" O.C.
- 2 TRACK ABOVE DOOR AND BELOW TRANSOM TO BE TS 8" x 4" x 1/4" W/ FL 1/2" x 4" x 8"
- 3 16 GA. CLIP ANGLE
- 4 ALL SCREW CONNECTIONS TO LIGHT GAUGE FRAMING TO USE #10 SELF DRILLING, SELF TAPPING SCREWS
- 5 EXPANSION ANCHORS 3/4" x 6" LONG
- 6 WALL OPENING FRAMING - ALL LUMBER TO BE 2X10 P.T. S.Y.P. #2 OR BETTER
- 7 16 GA. CLIP ANGLE
- 8 12 3/4" SQUARE OPENING FOR STORMPROOF LOUVER - SEE EXTERIOR ELEVATIONS FOR ADD. INFO.

REVISIONS	BY

- 1 ELEV. 25'-4" TOP OF ICF WALL
- 2 ELEV. 23'-10" TOP OF ICF WALL
- 3 ELEV. 21'-8" TOP OF ICF WALL
- 4 ELEV. 18'-4" TOP OF WINDOW
- 5 ELEV. 10'-6" TOP OF WINDOW
- 6 ELEV. 4'-0" BOTT OF WINDOW
- 7 ELEV. 0'-0" FINISHED FLOOR

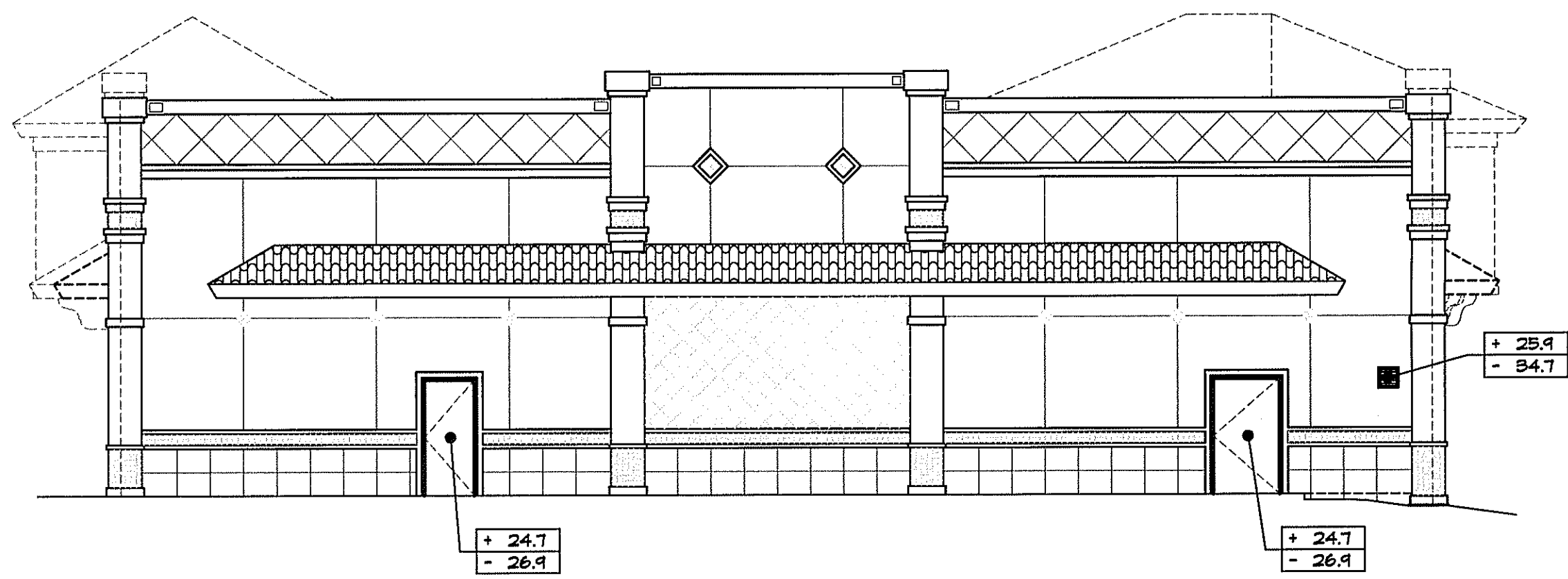


2 EAST ELEVATION (STRUCTURAL)
SCALE: 1/8" = 1'-0"



5 CONNECTION DETAIL
SCALE: 1" = 1'-0"

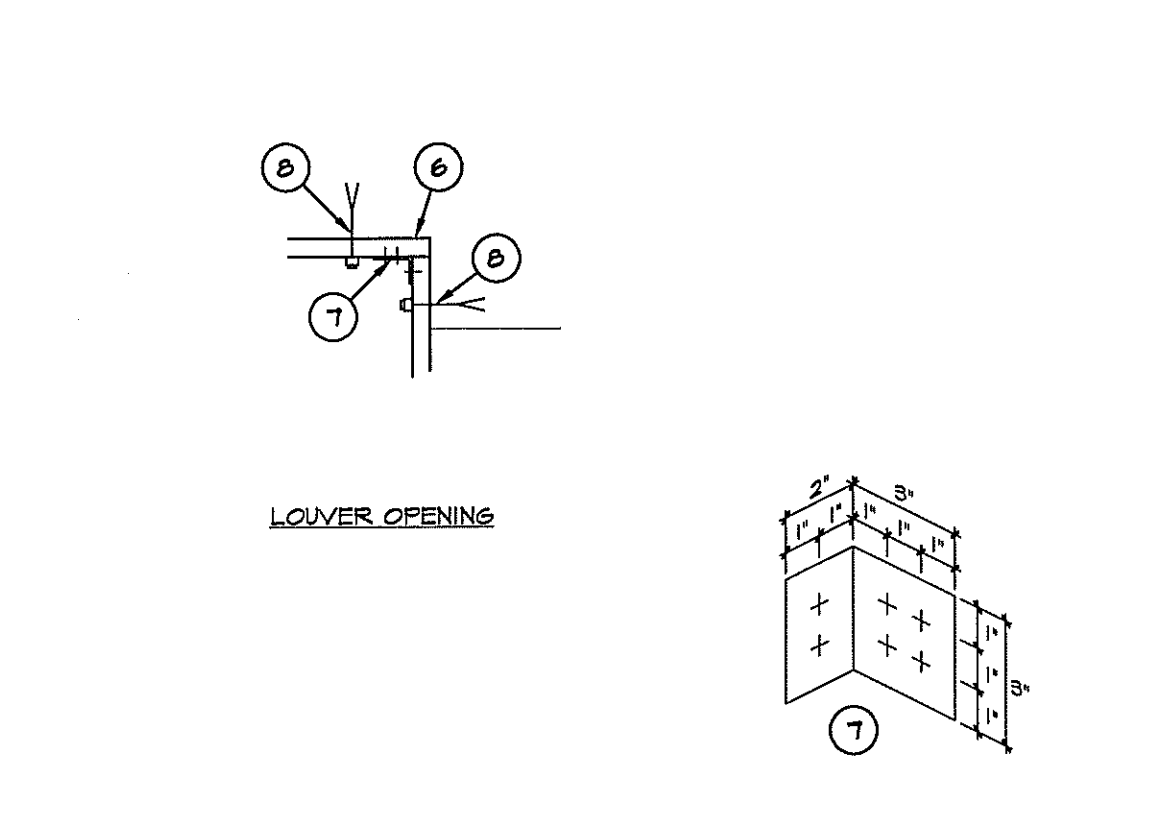
- 1 ELEV. 25'-4" TOP OF ICF WALL
- 2 ELEV. 23'-10" TOP OF ICF WALL
- 3 ELEV. 20'-0" TOP OF BAND 'K'
- 4 ELEV. 15'-4" BOTTOM OF BAND 'H'
- 5 ELEV. 12'-0" BOTTOM OF SOFFIT
- 6 ELEV. 4'-0" TOP OF BANDING 'D'
- 7 ELEV. 0'-0" FINISHED FLOOR



4 NORTH ELEVATION (ARCHITECTURAL)
SCALE: 1/8" = 1'-0"

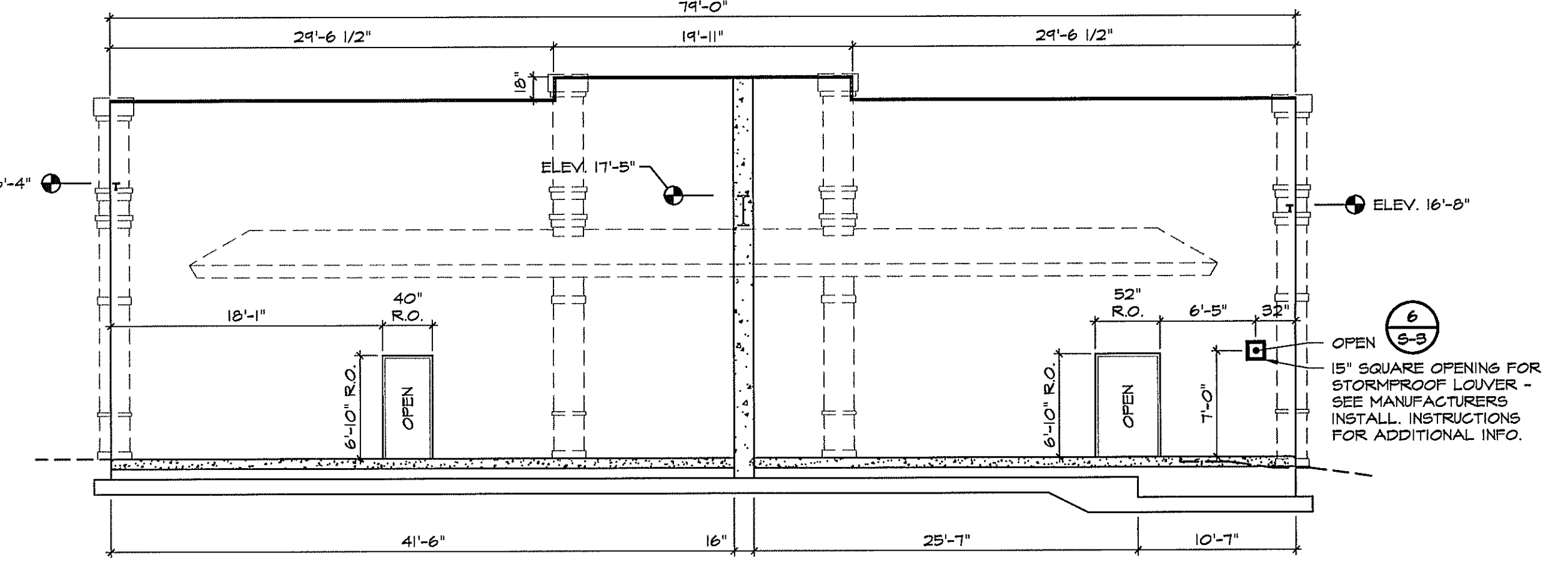
POS
NEG
DENOTES DESIGN WIND PRESSURES IN PSF

NOTE:
ARCH. ELEV. SHOWN FOR REFERENCE ONLY
REFER TO ARCH. ELEVATIONS FOR
DETAILS & FINISHES.

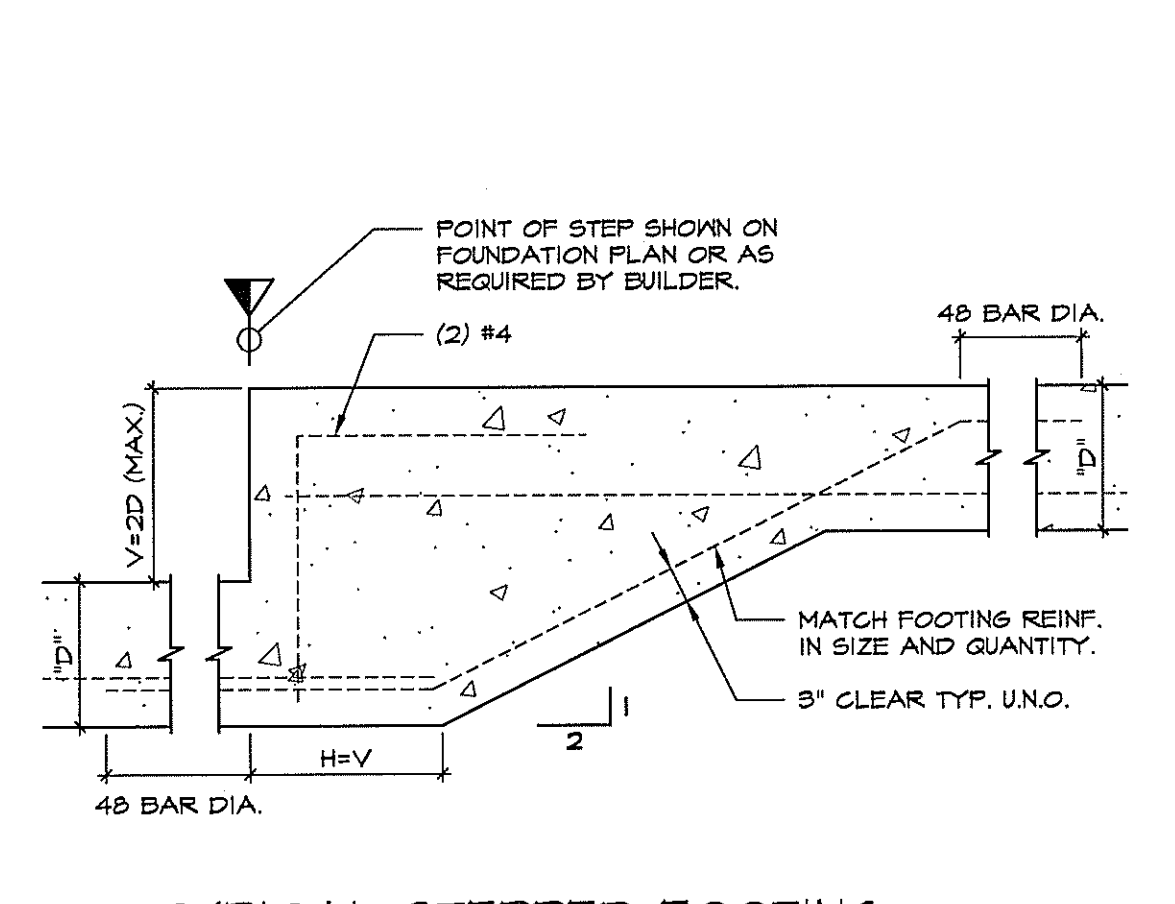


6 FRAMING AT LOUVER
SCALE: 3/4" = 1'-0"

- 1 ELEV. 25'-4" TOP OF ICF WALL
- 2 ELEV. 23'-10" TOP OF ICF WALL
- 3 ELEV. 18'-4" TOP OF WINDOW
- 4 ELEV. 17'-5" TOP OF WINDOW
- 5 ELEV. 16'-8" TOP OF WINDOW
- 6 ELEV. 0'-0" FINISHED FLOOR



7 NORTH ELEVATION (STRUCTURAL)
SCALE: 1/8" = 1'-0"



7 TYPICAL STEPPED FOOTING
SCALE: 3/4" = 1'-0"

280 CITRUS TOWER BLDG
SUITE 200
CLERMONT, FL 34711
PHONE: (352)242-0100
FAX: (352)242-0302

**Lindemann
Bentzon
Bojack**

ENGINEERING DESIGN INSPECTION <<

FL License No. 29996
Landscape Architect/Engineer
Certificate No. EB-00000000

3/22/2008

ABC LIQUORS, INC.
8889 S. ORANGE AVE. - ORLANDO, FLA. 32809

ABC STORE NO. 197
PALM COAST, FL

DRAWN:	M. MAISCO
CHECKED:	S. RIVERA
DATE:	2-6-04
SCALE:	AS NOTED
JOB No:	197
SHEET	

S-3

STRUCTURAL ELEVATIONS