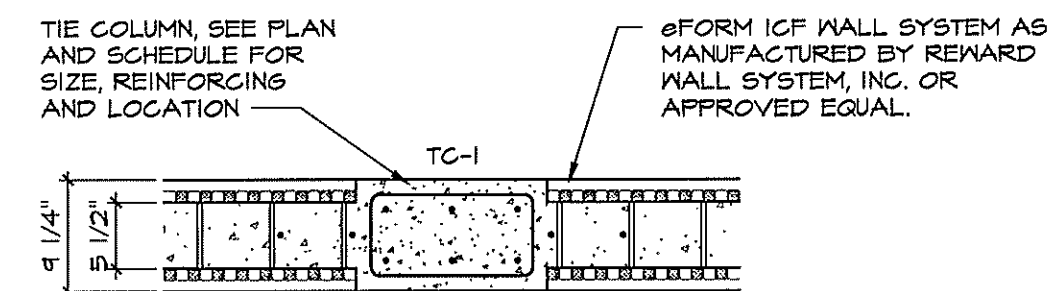
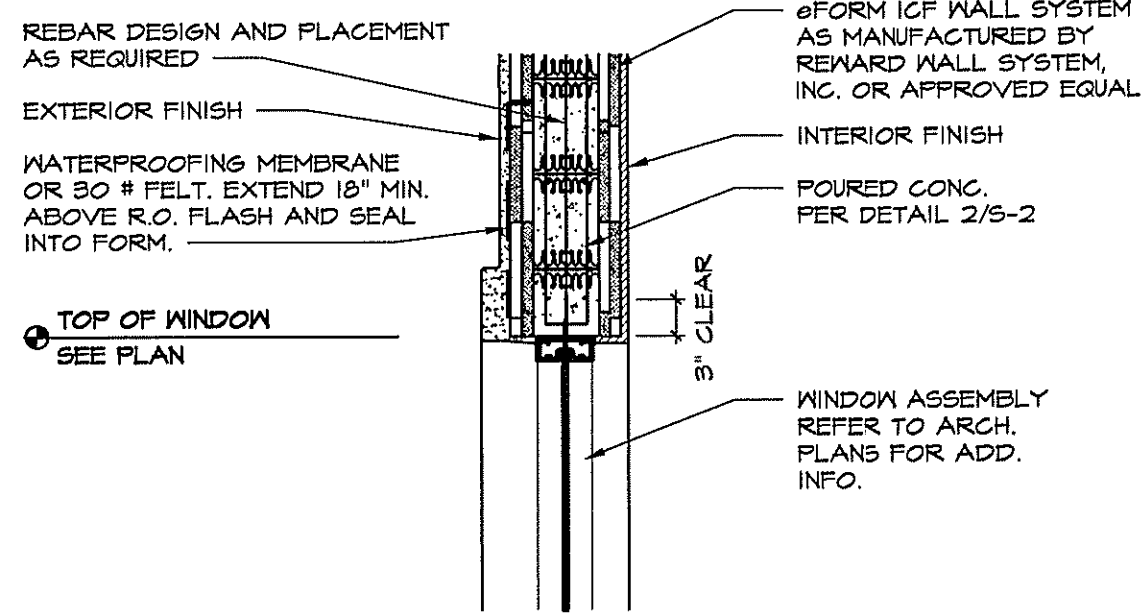


1 SECTION AT WIBC
SCALE: 3/4" = 1'-0"

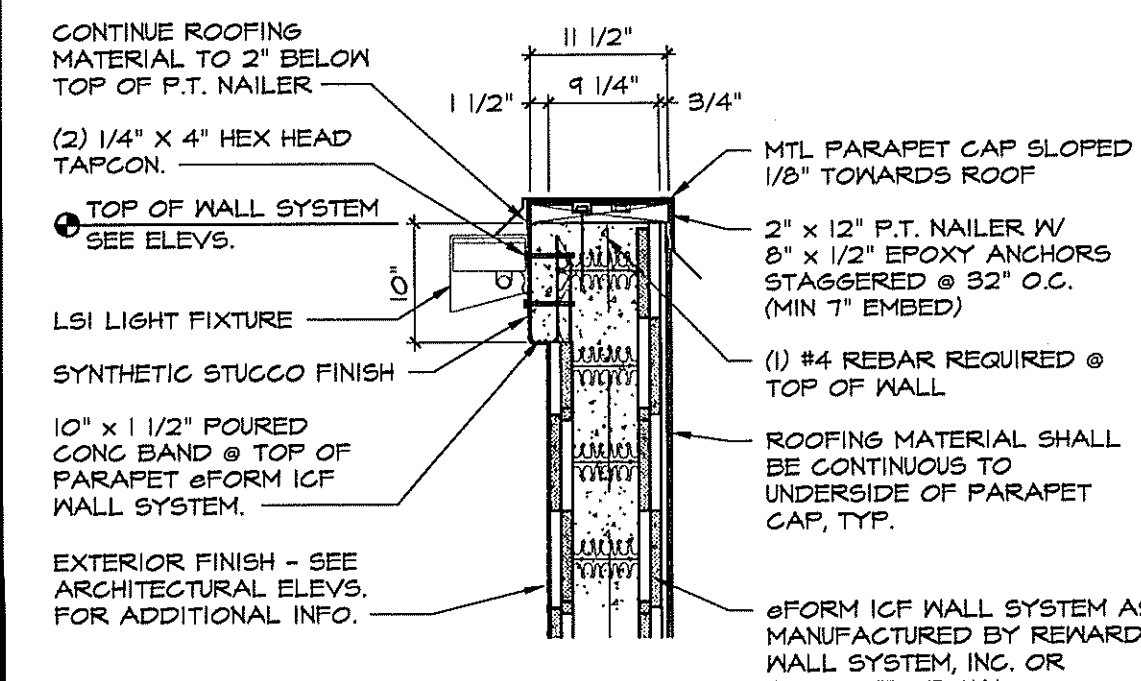
COLUMN SCHEDULE				
MARK	SIZE	REINFORCING	TIES	REMARKS
TC-1	4 1/4" x 16"	(6) #5@ VERT.	#3@ 8"	POURED CONC. COL.



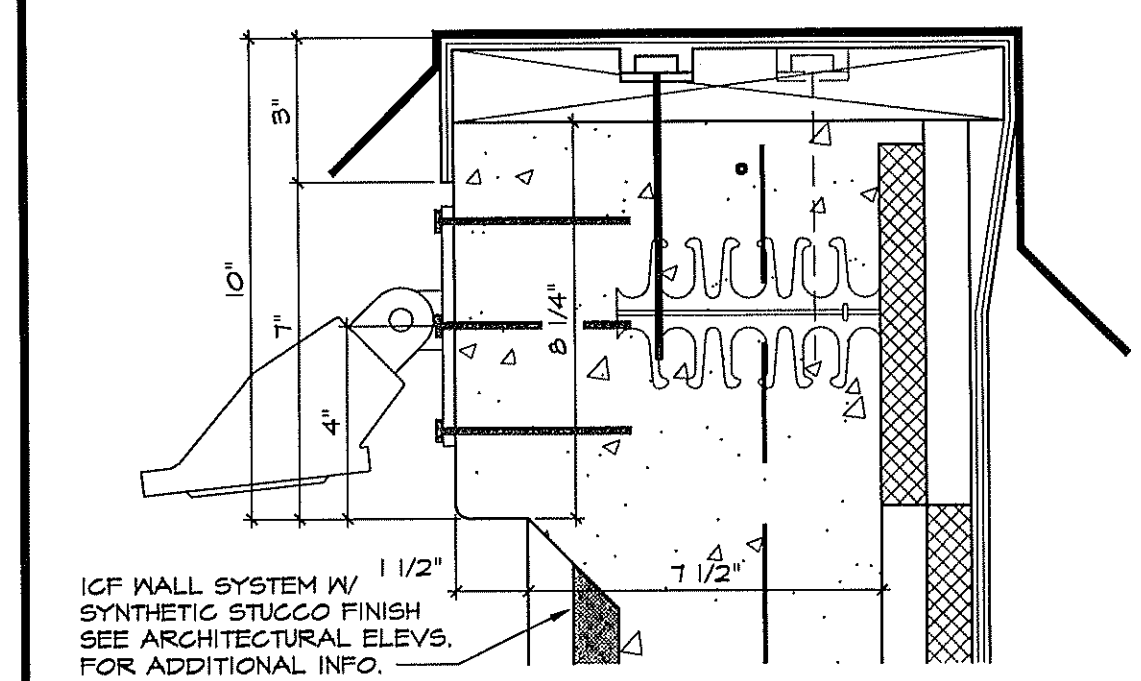
2 COLUMN DETAIL & SCHEDULE
SCALE: 3/4" = 1'-0"



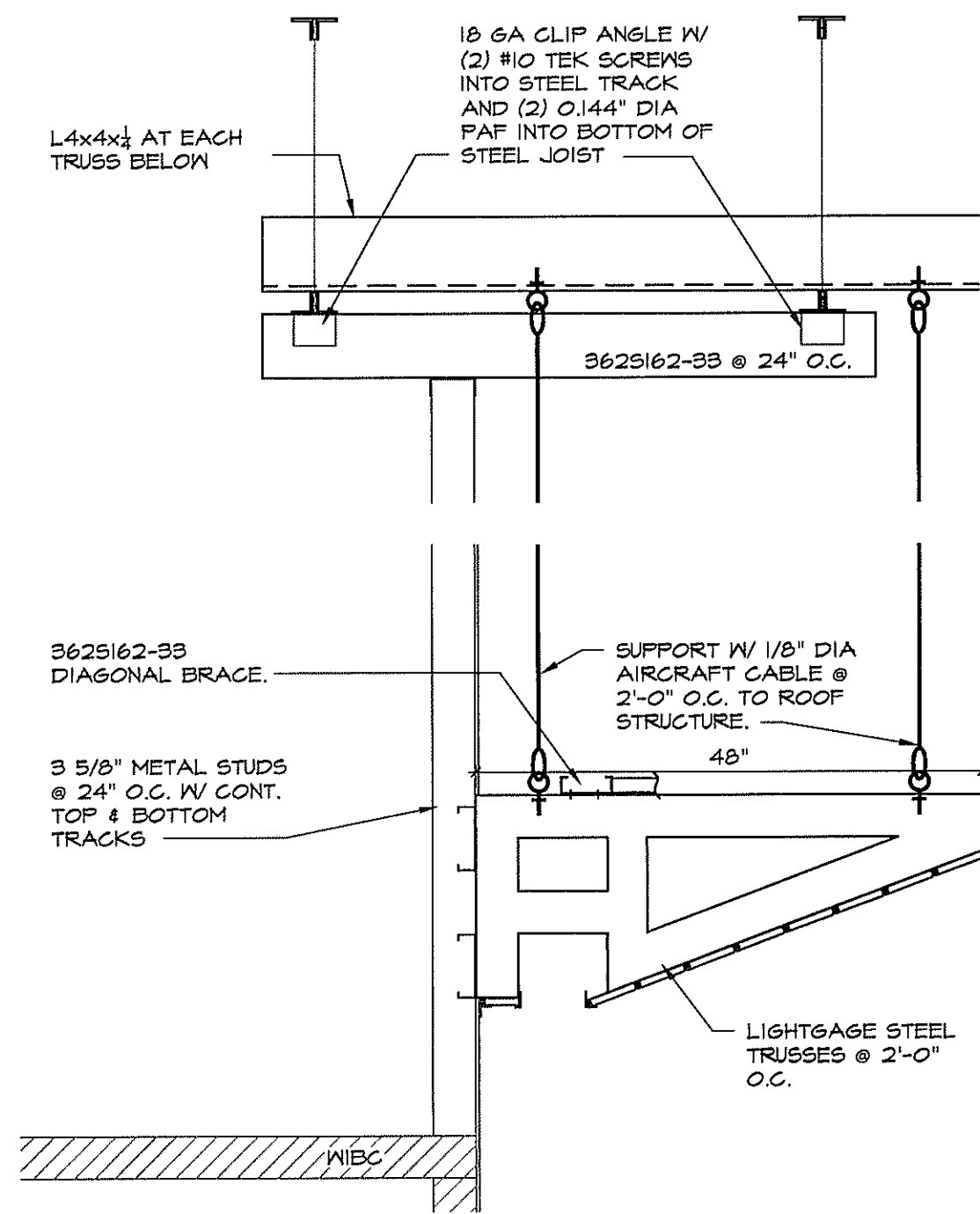
3 WINDOW HEADER DETAIL
SCALE: 3/4" = 1'-0"



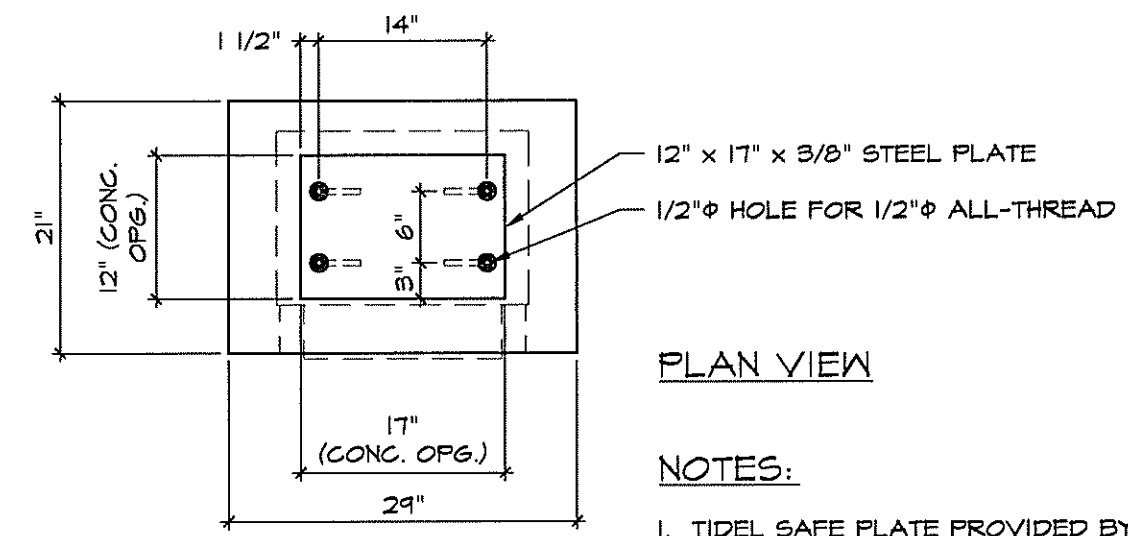
4 TOP OF PARAPET
SCALE: 3/4" = 1'-0"



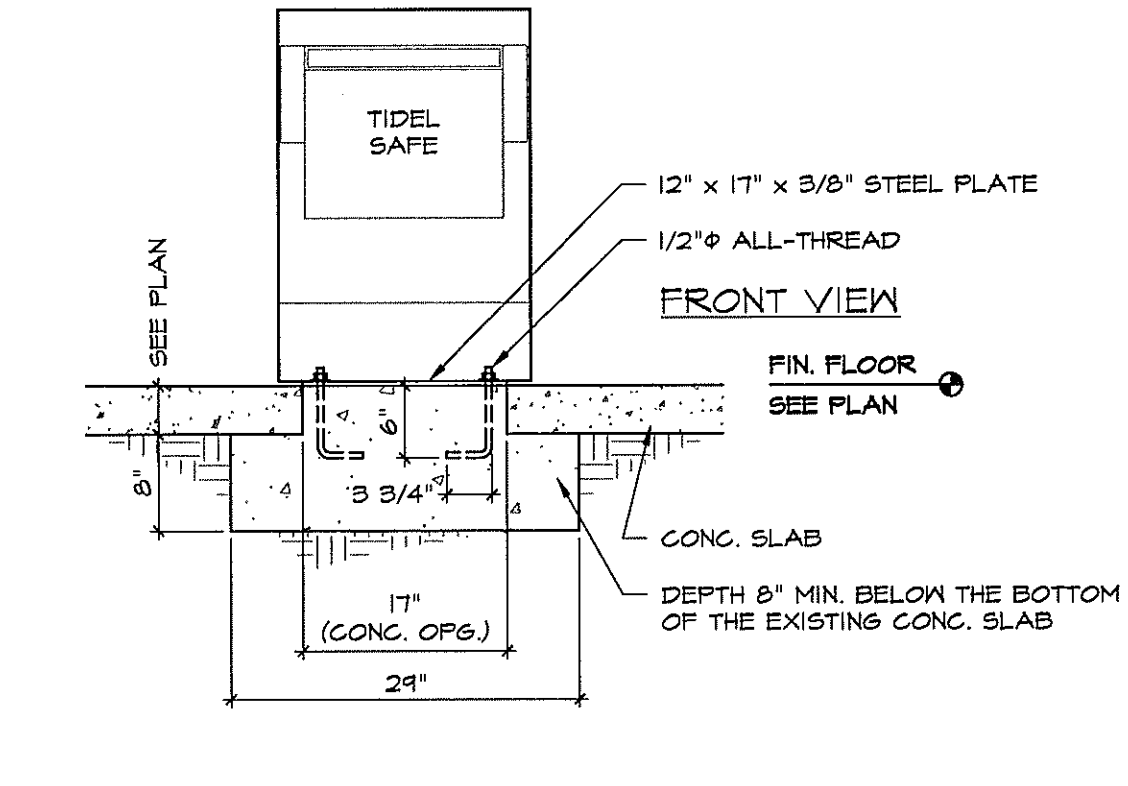
5 PARPET CONC BAND DETAIL
SCALE: 3" = 1'-0"



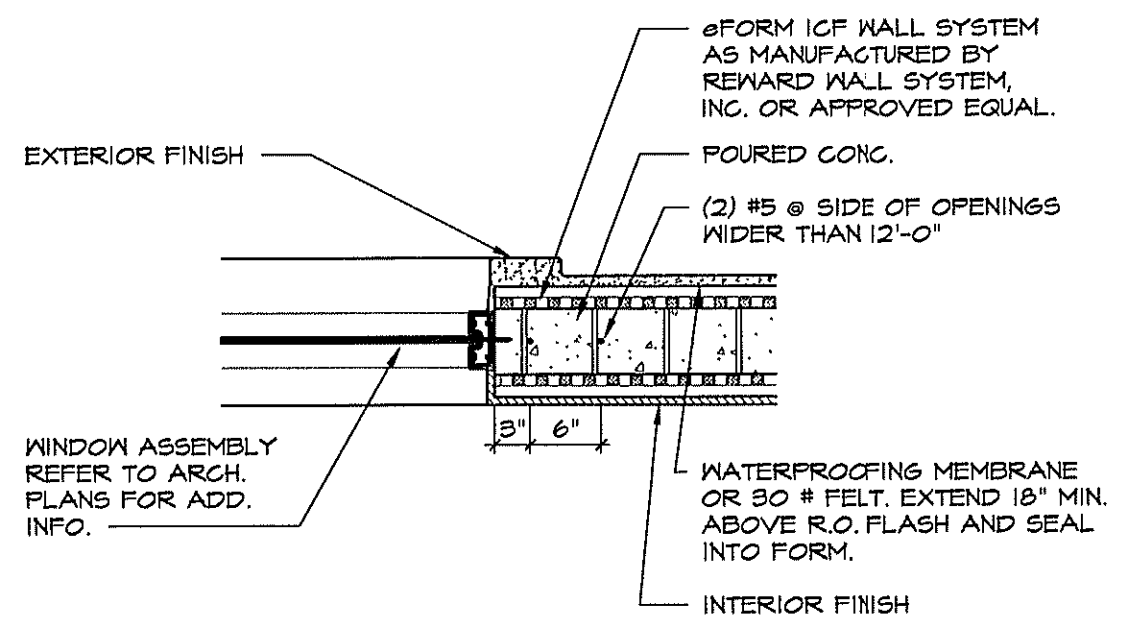
9 SECTION @ WIBC
SCALE: 3/4" = 1'-0"



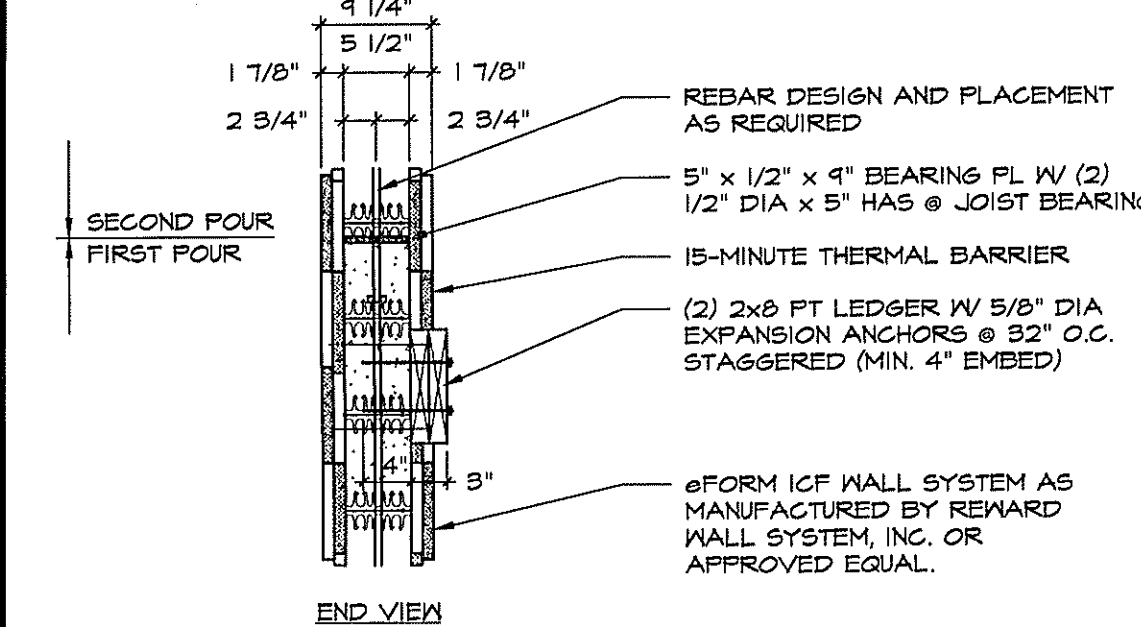
- NOTES:
- TIDEL SAFE PLATE PROVIDED BY OWNER, INSTALLED BY CONT.
 - CONC. OPENING DIMENSIONS IN CONC. SLAB = 17" x 9"
 - CONC. HOLE DIMENSIONS UNDER CONC. SLAB = 24" x 21"



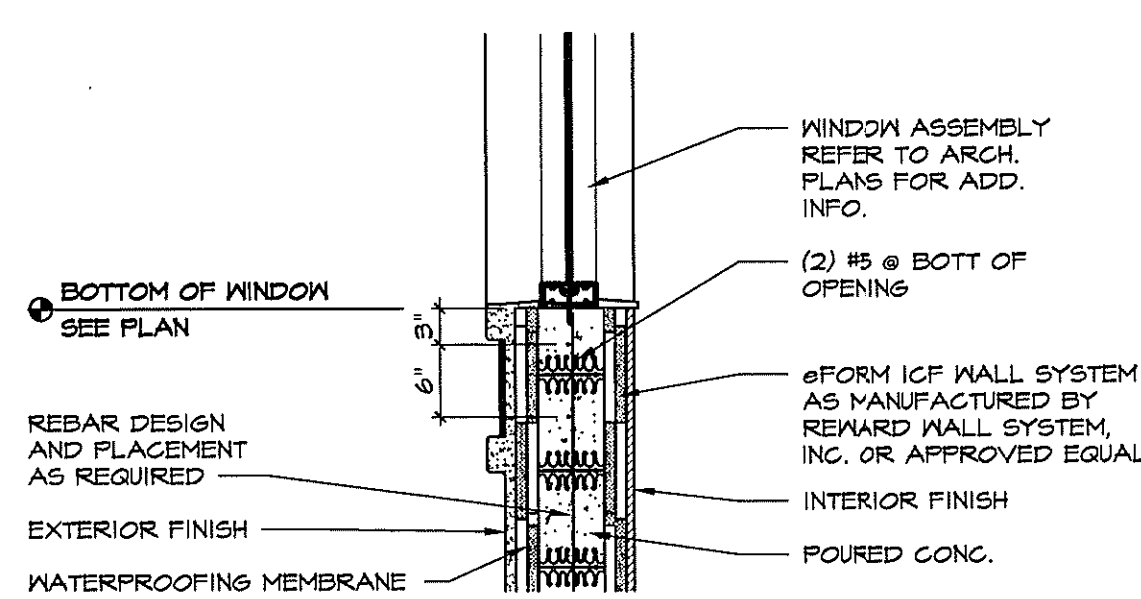
10 TIDEL SAFE DETAIL
SCALE: 1/2" = 1'-0"



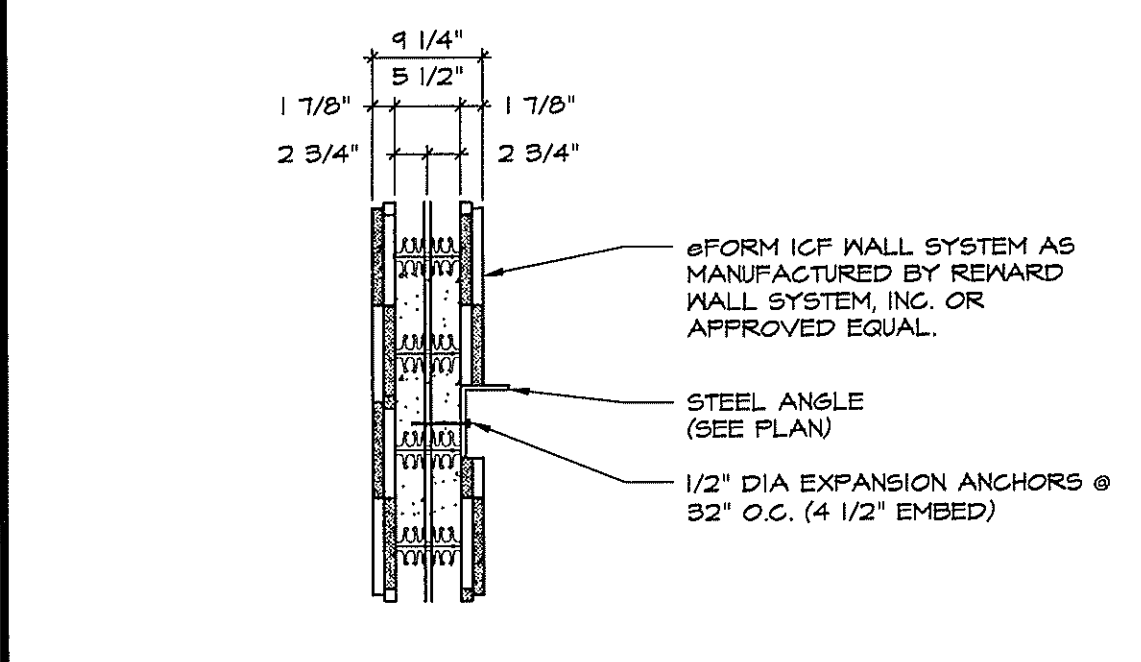
7 WINDOW JAMB DETAIL
SCALE: 3/4" = 1'-0"



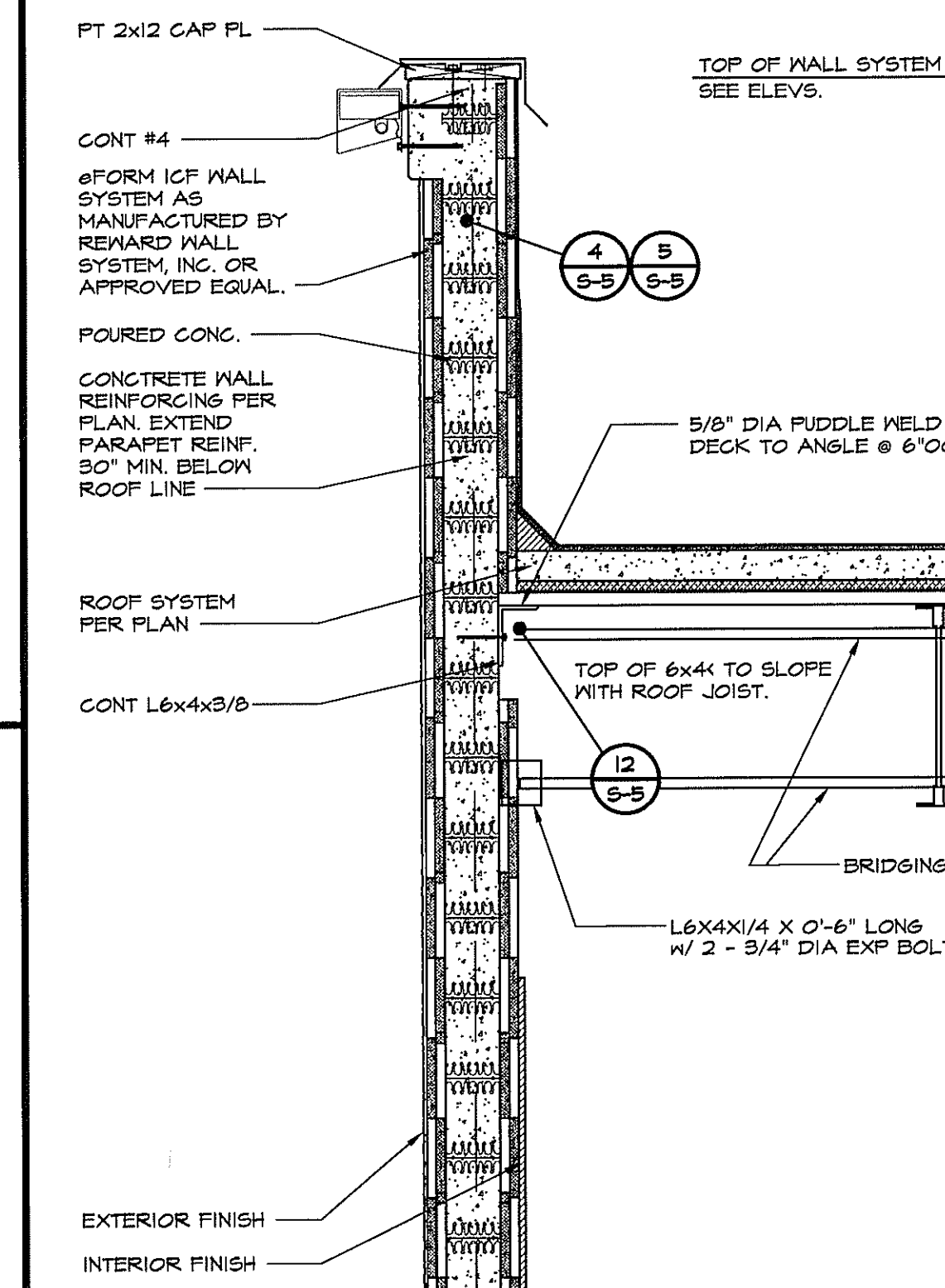
8 LEDGER BOARD
SCALE: 3/4" = 1'-0"



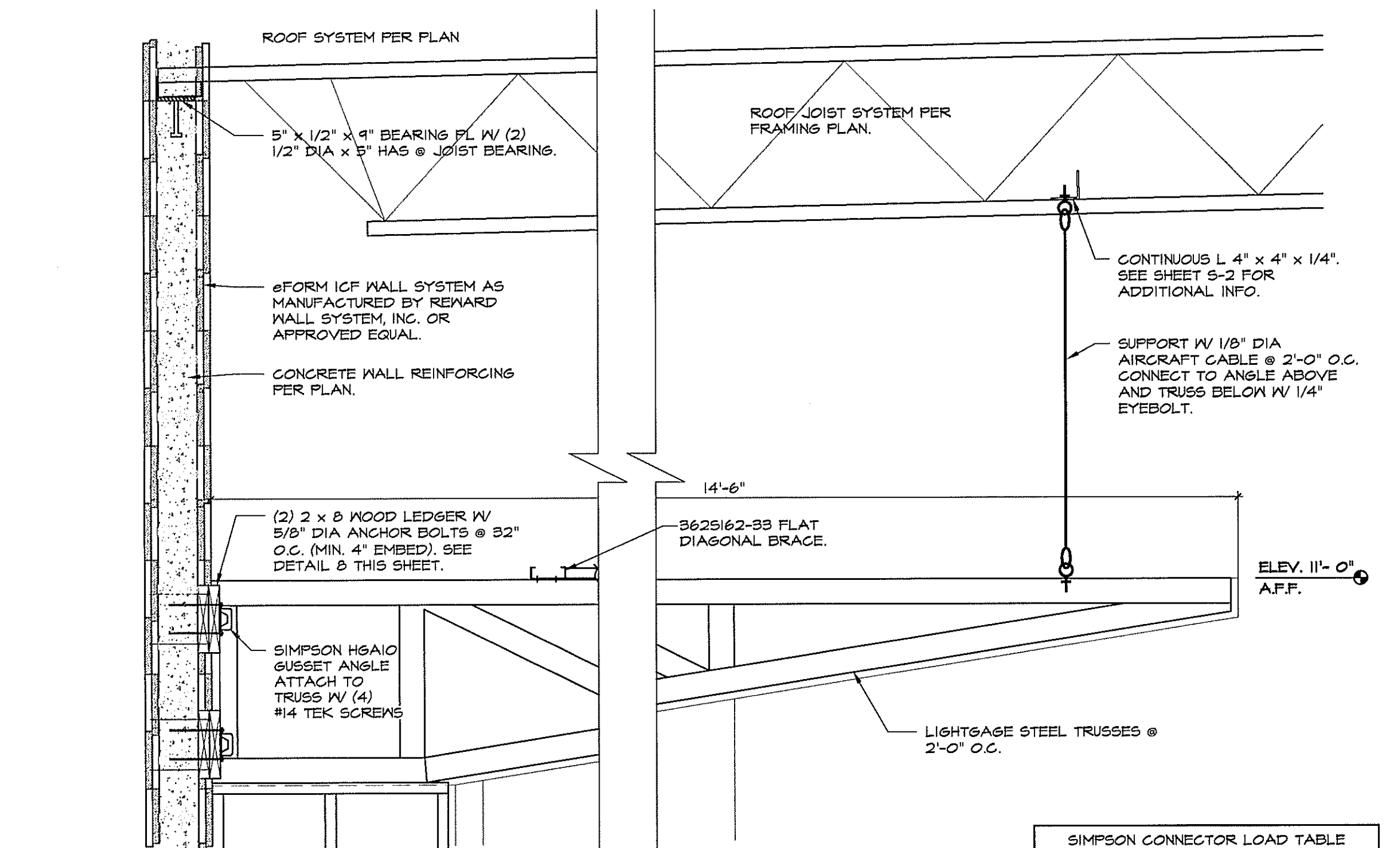
11 WINDOW SILL DETAIL
SCALE: 3/4" = 1'-0"



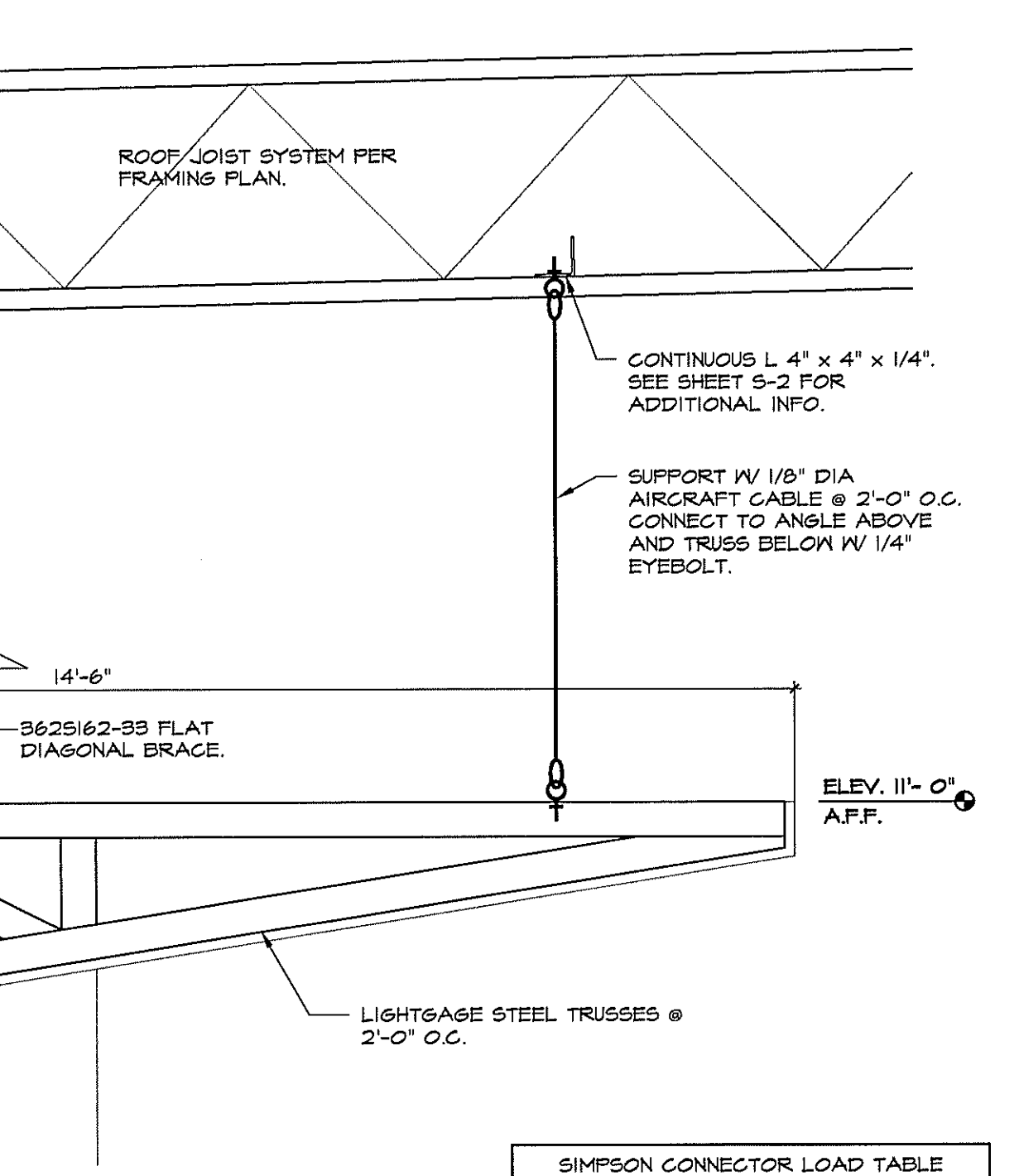
12 STEEL ANGLE CONNECTION
SCALE: 3/4" = 1'-0"



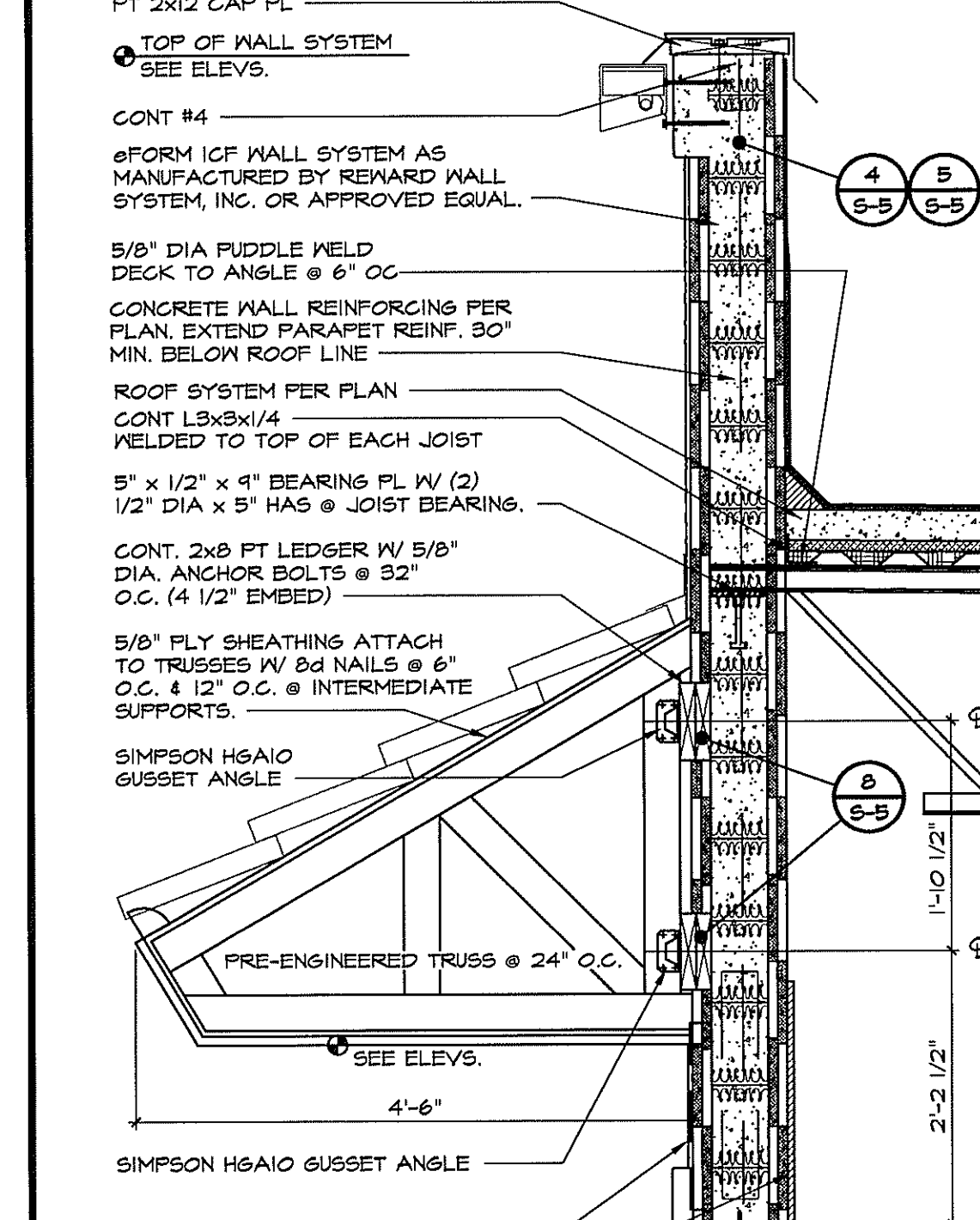
13 TOP WALL SECTION
SCALE: 3/4" = 1'-0"



14 SECTION @ HUMIDOR / CHILLER
SCALE: 3/4" = 1'-0"



15 TYP. CONC WALL OPENING DETAIL
SCALE: 1/2" = 1'-0"



16 SECTION AT AWNING
SCALE: 3/4" = 1'-0"

SIMPSON CONNECTOR LOAD TABLE			
CONNECTOR	UPLIFT	F1	F2
HSAIO	695#	1165#	940#

SIM. AT P.O.S. (TOP OF P.O.S. MANSARD @ 13'-0" A.F.F.)

REVISIONS	BY

290 CITRUS TOWER BLVD
SUITE 200
CLERMONT, FL 34711
PHONE: (352)242-0100
FAX: (352)242-0302

Lindemann Bentzon Bojack
ENGINEERING, DESIGN, INSPECTION & CONSTRUCTION

Christopher M. Smith
Lindemann Bentzon Bojack
Professional Engineer
Certificate No. EB-00000000

ABC LIQUORS, INC.
8899 S. ORANGE AVE. - ORLANDO, FLA. 32809
ABC STORE NO. 197
PALM COAST, FL

STRUCTURAL DETAILS

DRAWN: M. MAISCO
CHECKED: S. RIVERA
DATE: 2-6-04
SCALE: AS NOTED
JOB No: 197
SHEET

S=J