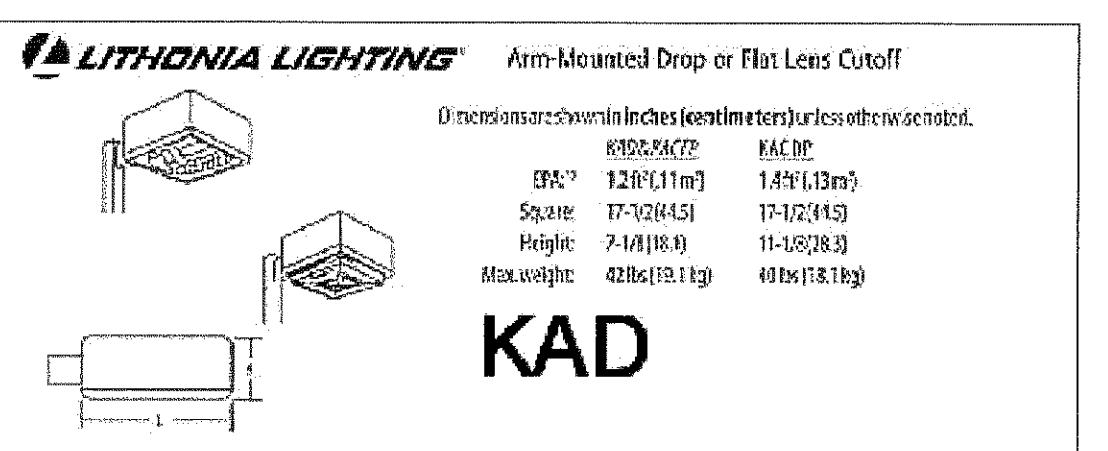
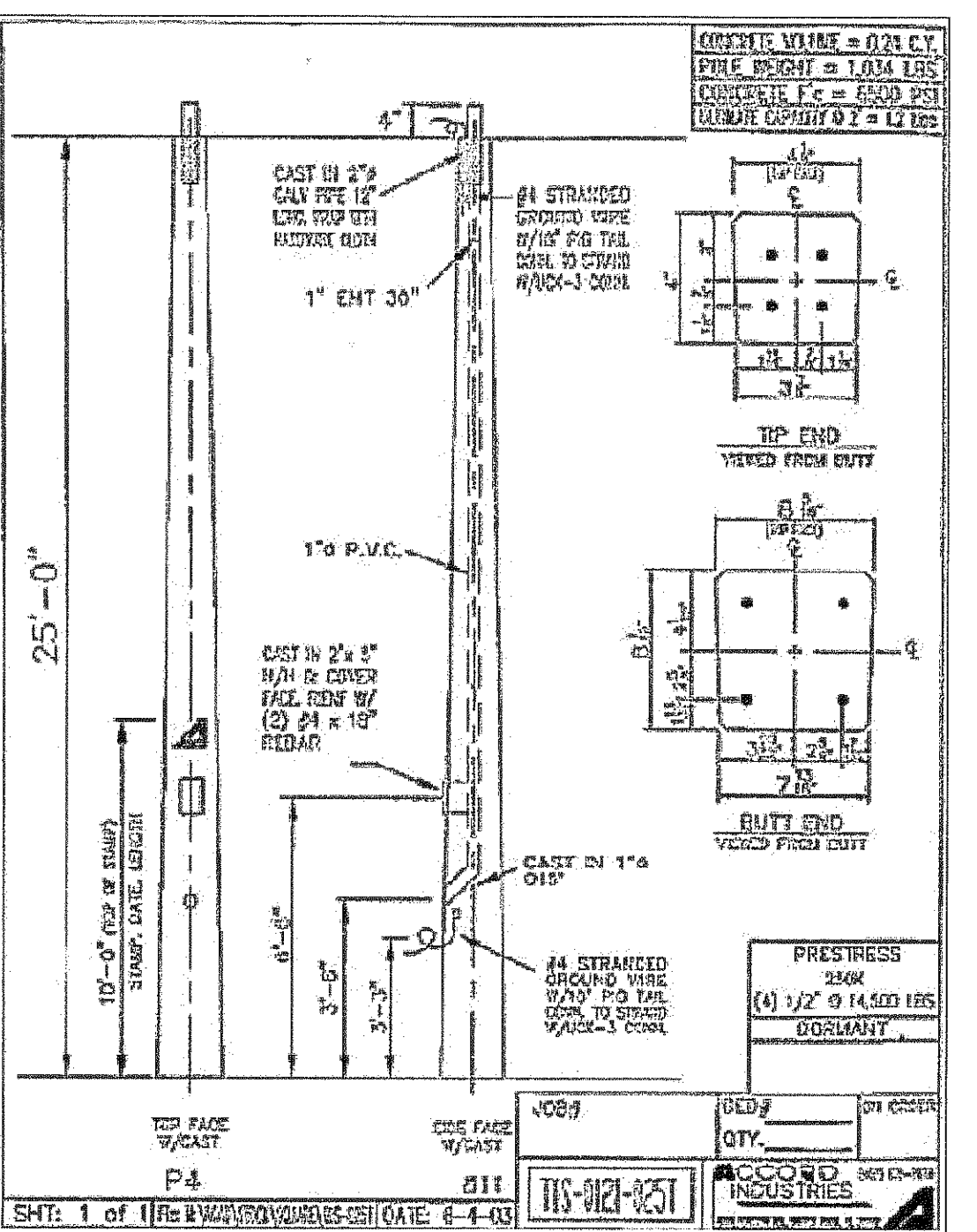


LUMINAIRE SCHEDULE								
SYMBOL	LABEL	QTY	CATALOG NUMBER	DESCRIPTION	LAMP	LUMENS	LLF	NOTES
□	KAD	5	KAD 400M R3	LITHONIA - DIE CAST ALUMINUM HOUSING FLAT GLASS LENS	ONE 400-WATT CLEAR BT-37 METAL HALIDE, HORIZONTAL POSITION.	32000	0.89	LIGHT AND POLE TO HAVE A BRONZE FINISH PROVIDE W/ HOUSE SIDE SHIELD. PHOTOMETRICS FILE: 92040902.IES
⊗	SOFFIT L.E.D.	56	A2/B1-05	WITH WHITE TRIM AND RECESSED WHITE PLASTIC LENS	LEDS, LUMEN RATING = 648 LMS.	647	0.95	LIGHT MOUNTED @ 12'-0" AFG @ ENTRANCE SOFFIT



NOTE:
POLE WITH LIGHT FIXTURE SHALL COMPLY WITH 125 M.P.H. WIND LOAD REQUIREMENT



1 SITE LIGHTING PLAN
SCALE: 1" = 20'-0"

2 POLE DETAIL 1
SCALE: 1" = 20'-0" 4 REQUIRED

REVISIONS	BY
BUILDING DEPT REVISION 4-4-09	MCM

ARTERBURY ARCHITECTS, INC.
 1008 MAITLAND CENTER COMMONS BLVD
 (SUITE 216) MAITLAND, FL 32751
 TEL: (407) 774-2283
 FAX: (407) 774-7377
 AA 26000718

Arterbury Architects
 5-11-09

ABC LIQUORS, INC.
 8888 S. ORANGE AVE. - ORLANDO, FLA. 32809
 ABC STORE NO. 197
 PALM COAST, FL

DRAWN:	M. MAISCO
CHECKED:	S. RIVERA
DATE:	5-1-09
SCALE:	AS NOTED
JOB No:	197
SHEET	

SL-1

SITE LIGHTING PLAN