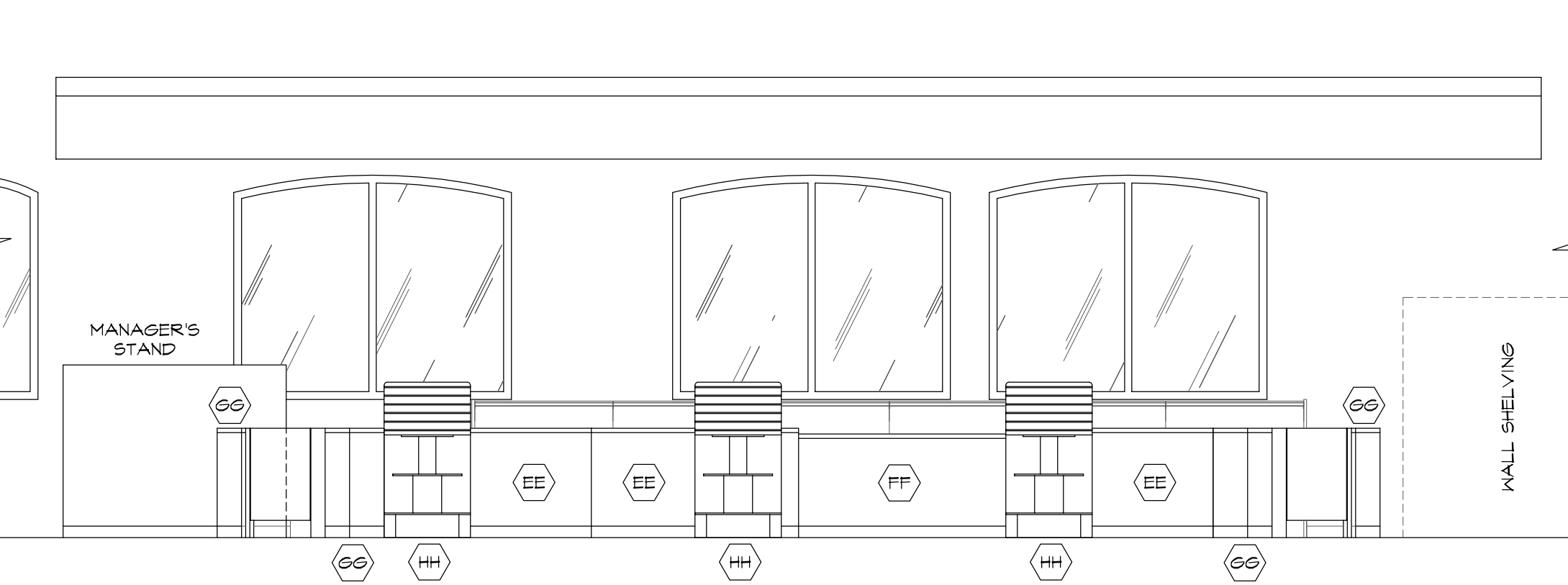
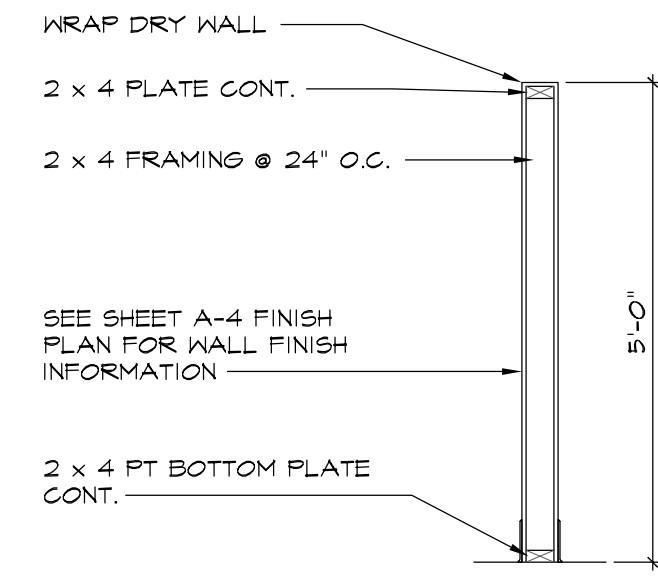


FURNITURE / EQUIPMENT SCHEDULE					ALL FURNITURE LISTED ABOVE TO BE PROVIDED BY OWNER AND INSTALLED BY CONTRACTOR, U.N.O.		
MARK	EQUIPMENT	MANUFACTURER	MODEL NUMBER	FINISH	QTY	REMARKS	
A	WALL SHELVING	LOZIER CORPORATION	WS 4 84 25 LB 5 CBF	CHR GL6 N56 M N36 S N GL6		7'-0" T x 4'-0" W	
B	WALL SHELVING	LOZIER CORPORATION	WS 2 84 25 LB 5 CBF	CHR GL6 N56 M N36 S N GL6		7'-0" T x 2'-0" W	
C	SHELVING CORNER	LOZIER CORPORATION	BCA 84 LB M	LMOI-N36-CHR		7'-0" T SHELVING CORNER	
D	WALL SHELVING END PANEL	LOZIER CORPORATION	EP 84 25 LB	LMOI		7'-0" T	
E	WALL SHELVING	LOZIER CORPORATION	WS 4 84 25 LB 5 CBF	CHR GL6 N56 M N36 S N GL6		7'-0" T x 4'-0" W	
F	WALL SHELVING	LOZIER CORPORATION	WS 4 48 25 LB 5 CBF	CHR GL6 N56 M N36 S N GL6		4'-0" T x 4'-0" W	
G	WALL SHELVING	LOZIER CORPORATION	WS 2 48 25 LB 5 CBF	CHR GL6 N56 M N36 S N GL6		4'-0" T x 2'-0" W	
H	WALL SHELVING END PANEL	LOZIER CORPORATION	EP 48 25 LB	LMOI		4'-0" T	
I	ISLAND SHELVING	LOZIER CORPORATION	IS 4 54 25 25 LB 5 CBF	CHR GL6 N56 M N36 S N GL6 5 N GL6		4'-6" T x 4'-0" W	
J	ISLAND SHELVING	LOZIER CORPORATION	IS 4 54 25 25 LB 5 CBF	CHR GL6 N56 M N36 S N GL6 5 N GL6		4'-6" T x 4'-0" W	
K	ISLAND END DISPLAY	LOZIER CORPORATION	CED 4 54 25 LB 5 M M	OL6 N36 OL6		4'-6" T x 4'-0" W	
L	ISLAND SHELVING	LOZIER CORPORATION	IS 4 48 16 16 LB 5 CBF	CHR GL6 N56 M N36 S N GL6 5 N GL6		4'-0" T x 4'-0" W	
M	ISLAND END CAPS	ABC LIQUORS, INC.	N/A			4'-0" T	
N	ISLAND END DISPLAY	LOZIER CORPORATION	CED 4 54 18 LB 5 M M	OL6 N36 OL6		4'-6" T x 4'-0" W PEG BOARD	
O	DISPLAY PLATFORM	ABC LIQUORS, INC.	N/A				
P	SHELVING	LOZIER CORPORATION	WS 4 36 16 LB 5 CBF	CHR GL6 N56 M N36 S N GL6		4'-6" T	
Q	FOUR WAY DISPLAYER	LOZIER CORPORATION	FWD 54 24 D SM	LM-OI N56 OL6 N36 OL6 CHR			
R	GIFT CENTER	ABC LIQUORS, INC.	N/A				
S	MOBILE WINE STAND	ABC LIQUORS, INC.	N/A				
T	WROUGHT IRON BASKET STAND	EAGLE EMPORIUM	BASKET STAND LARGE			65" T W/ (8) 6" ARMS	
U	CIRCULAR MERCHANDISER	WINE CELLAR INNOVATIONS	FFUGIRM (BASE) W/ FVUTOP (TOP)				
V	ICE MERCHANDISER	LEER	#40			78 1/2" H x 50 1/2" W x 30" D	
W	24" D. CUSTOM COUNTER W/ CABINETS BEHIND	ABC	N/A			36" H x 5'-6" W x 24" D 3 CABINET DOORS	
X	WINE DISPENSING SYSTEM "WINE STATION"	NAPA TECHNOLOGIES	N/A				
Y	LOCKABLE COGNAC CABINET	-	-			48" H x 30" W x 21" D RETAIL AREA	
Z	CHEESE COOLER	HUMANN	SHM-4				
AA	METAL RACK	METRO	18"X48"X 72"				
BB	TIDEL SAFE	TIDEL	N/A			W/ BASE PLATE	
CC	FILE CABINET	N/A	N/A			TO BE LOCATED NEXT TO MANAGER STAND	
DD	MANAGER / I.S.P. STAND	ABC LIQUORS, INC.	N/A				
EE	72" x 36" P.O.S. COUNTER	ABC LIQUORS, INC.	N/A				
FF	72" x 36" P.O.S. COUNTER	ABC LIQUORS, INC.	N/A				
GG	P.O.S. COUNTER CORNER	ABC LIQUORS, INC.	N/A				
HH	P.O.S. DISPLAY SHELF	ABC LIQUORS, INC.	N/A				
II	REGISTER	IBM	N/A				
JJ	SHOPPING CART CORAL	ABC LIQUORS, INC.	N/A				
KK							
LL	FIRE EXTINGUISHER	KIDDE	PRO 340 - 21005T82			UL RATED 3-A, 40-B, C	
MM	CORBELS AND TICKET MOLDING	ABC LIQUORS, INC.	N/A			FIELD VERIFY ALL DIMS PRIOR TO FABRICATION	
NN							
OO	WIDE SPAN SHELVING	LOZIER CORPORATION	WSU 18 144 RE U GR7			LOCATED IN STORAGE ROOM	
PP	WIDE SPAN SHELVING	LOZIER CORPORATION	WSU 24 144 RE U GR7			LOCATED IN STORAGE ROOM	
QQ	WALK-IN COOLER	KYSOR	1 ACCESS DOORS SERVICE DOOR				
RR	LADDER RACK	BILCO	N/A			30" x 36" HATCH W/ LADDER LOCATED IN STORAGE ROOM	
SS							
TT	SOAP DISPENSER	N/A	N/A				
UU	PAPER TOWEL DISPENSER	N/A	N/A				
VV	AUTOMATIC HAND DRYER	EXCEL DRYER, Inc.	XLERATOR SERIES, MODEL XL-N				
WW	BRaille REST-ROOM ID SIGN	N/A	N/A			MOUNTED 60" AFF. TO CTR.	
XX							
YY	CUSTOM WOOD DISPLAY CABINET, SEE DETAIL THIS SHT.						
ZZ	CUSTOM DISPLAY CABINET W/ CLEAR SINGLE PANE 1/2" TEMPERED GLASS DOORS					2	DOOR

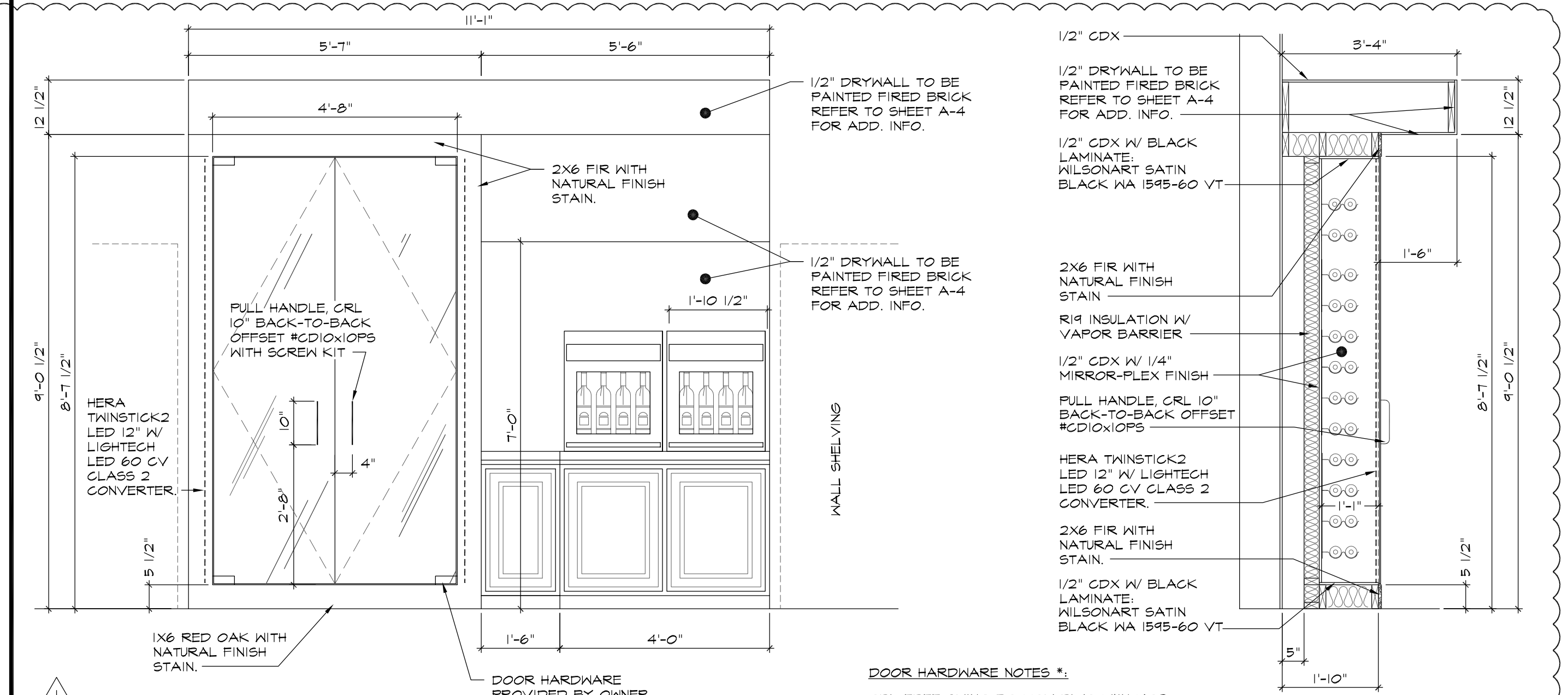
1 FURNITURE PLAN
SCALE: 1/8" = 1'-0"



2 P.O.S. ELEVATION
SCALE: 1/4" = 1'-0"



3 MANAGER STAND WALL DETAIL
SCALE: 1/2" = 1'-0"



4 WINE DISPLAY CABINET
SCALE: 1/2" = 1'-0"

REVISIONS BY	
OWNER REVISION	MCM
1-30-10	

ARTERBURY ARCHITECTS, INC.
AA 26000718
1009 MAITLAND CENTER COMMONS BLVD
(SUITE 216) MAITLAND, FL 32751
TEL: (407) 774-2233
FAX: (407) 774-7377

ABC LIQUORS, INC.
8989 S. ORANGE AVE. - ORLANDO, FLA. 32809
ABC STORE NO. 43
VERO BEACH CENTURY TOWN CENTER

DRAWN:	M. MAISCO
CHECKED:	S. RIVERA
DATE:	5-15-04
SCALE:	AS NOTED
JOB No:	43
SHEET	

A-7