

LIGHTING SCHEDULE						
SYM	DESCRIPTION	MOUNTING	LAMPS	MANUF	QTY	REMARKS
(XX)	= FIXTURE LENGTH					
⊠	POWER PANEL	SURFACE	N / A	SQUARED 'D'		LOCATED IN ELECTRICAL ROOM
⊞	SINGLE POLE LIGHT SWITCH 20 AMP CS115-2T	ON WALL / RECESSED	N / A	LEVITON	2	
⊞ DS	DISCONNECT SWITCH	EXT. SOFFIT / RECESSED	N / A		2	MOUNT WITHIN SIGHT OF WALL SIGN ?WHAT DISTANCE?
⊞ M	H-MOSS MOTION SENSOR SWITCH 20 AMP W51201	ON WALL / RECESSED	N / A	HUBBELL	2	
⊞ M	H-MOSS MOTION SENSOR SWITCH 20 AMP GU120A	CLG OR SUSPENDED 11'-6" A.F.F.	N / A	HUBBELL	2	MOUNT SENSORS TO UNISTRUT OR CEILING AS NOTED
(A)	FLUORESCENT HIGH BAY M50 5 32 SBL WD 120 GEB1015	SUSPENDED 11'-6" A.F.F.	(3) T8 @ 32W	LITHONIA	10	MOUNT LIGHTS TO UNISTRUT
(B)	FLUORESCENT HIGH BAY TMSB 6 32 SBL WD 120 GEB1015	SUSPENDED 11'-6" A.F.F.	(6) T8 @ 32W	LITHONIA	24	MOUNT LIGHTS TO UNISTRUT
(C)	WALL WASH W/ REFLECTOR TC 1 11 120 GEB1015 CASR 40	ABOVE WALL SHELVING	2' = (1) T8 @ 17W	LITHONIA	3	SEE DETAIL ? SHEET ? FOR ADDITIONAL MOUNTING INFORMATION
(D)	WALL WASH W/ REFLECTOR TC 1 32 120 GEB1015 CASR 40	ABOVE WALL SHELVING	4' = (1) T8 @ 32W	LITHONIA	5	SEE DETAIL ? SHEET ? FOR ADDITIONAL MOUNTING INFORMATION
(E)	WALL WASH W/ REFLECTOR TC 1 66T8 120 GEB1015 CASR 40	ABOVE WALL SHELVING	8' = (1) T8 @ 54W	LITHONIA	12	SEE DETAIL ? SHEET ? FOR ADDITIONAL MOUNTING INFORMATION
(F)	2 LAMP FIXTURE LB232120GEB	CLG OR SUSPENDED 11'-6" A.F.F.	4' = (2) T8 @ 32W	LITHONIA	11	MOUNT LIGHTS TO UNISTRUT
(G)	ADJUSTABLE WALL WASH PDATT 6 2 1 40BX 55B EM UE	UNDERSIDE OF WIBC EXTENDED CEILING	2' = (2) BIAX @ 40W	LSI	1	SEE DETAIL ? SHEET ? FOR ADDITIONAL MOUNTING INFORMATION
(H)	ADJUSTABLE WALL WASH PDATT 6 4 2 40BX 55B EM UE	UNDERSIDE OF WIBC EXTENDED CEILING	4' = (2) BIAX @ 40W	LSI	17	SEE DETAIL ? SHEET ? FOR ADDITIONAL MOUNTING INFORMATION
(J)	SURFACE MOUNTED COOLER LIGHT TDMX 2 32 AR 120 GEB	SURFACE	8' = (4) T8 @ 32W	LITHONIA	3	VAPOR PROOF TO OPERATE @ 32° F
(K)	8" Ø HORIZONTAL DOWN LIGHT CFRB26UEB 5T442A CO B6	CEILING / RECESSED	(1) Ø4 @ 26W	PRESCOLITE	20	MOUNT WITH PRESCOLITE BAR HANGERS FOR CEILING JOISTS
(L)	8" SQUARE KATI PENDANT 544520	SUSPENDED 7'-0" A.F.F.	(1) @ 60W	CB2	4	BOTTOM OF PENDANT TO BE 1'-0" A.F.F.
(M)	DECORATIVE TRAPEZOID WALL LIGHT WBT-TOMHC-MD-120-DWHS-LPI	WALL MOUNT UNDER CANOPY	(1) MH @ 70W	LITHONIA	23	BOTTOM OF LIGHT TO BE 12'-8" A.F.F.
(N)	6" Ø DOWN LIGHT LR6	SOFFIT / RECESSED	(1) LED @ 12W	CREE LED LIGHTING	7	
(O)	3" WALL WASH FIXTURE EX5 SMS SA TSHO 54W 3 1 TS PC	ON WALL / SURFACE	(1) TSHO @ 34W	INSIGHT	0	FIXTURE MOUNTING HEIGHT TO BE CENTERED ON TO BAND OF EXTERIOR WALL
(P)	4" WALL WASH FIXTURE EX5 SMS SA TSHO 54W 4 1 TS PC	ON WALL / SURFACE	(1) TSHO @ 54W	INSIGHT	8	FIXTURE MOUNTING HEIGHT TO BE CENTERED ON TO BAND OF EXTERIOR WALL
(Q)	6" WALL WASH FIXTURE EX5 SMS SA TSHO 54W 6 1 TS PC	ON WALL / SURFACE	(2) TSHO @ 34W	INSIGHT	12	FIXTURE MOUNTING HEIGHT TO BE CENTERED ON TO BAND OF EXTERIOR WALL
(R)	8" WALL WASH FIXTURE EX5 SMS SA TSHO 54W 8 1 TS PC	ON WALL / SURFACE	(2) TSHO @ 54W	INSIGHT	27	FIXTURE MOUNTING HEIGHT TO BE CENTERED ON TO BAND OF EXTERIOR WALL
(S)	8" AUDIO SPEAKER WITH GRILLE BB-R05	SUSPENDED 11'-6" A.F.F.		REVERE	5	MOUNT SPEAKERS TO UNISTRUT
(T)	COACH LIGHT M211-B1	ON WALL / SURFACE 6'-6" A.F.F.	FLICKER 40W	THOMAS	0	
(U)	STASIS METAL HALIDE LAMP L 5 05 6 34 MB	TRACK LIGHTING	(1) T6 CMH @ 34W	HALO		
---	SINGLE CIRCUIT TRAC - WHITE L650=2' L652=8' L651=4' L653=12'	CEILING / SUSPENDED 11'-0" A.F.F.		HALO		MOUNT TRACKS TO UNISTRUT GRID OR CEILING AS NOTED
-5' 1' L' 1' T' X'	CONNECTORS L903 5' L904 1' L905 T' L906 X'	CEILING / SUSPENDED 11'-0" A.F.F.		HALO		
⊞ L907 ⊞ L902	L907 WIRE BOX FOR CLG MOUNT L902 PENDANT KIT ASSEMBLY	CEILING / SUSPENDED 11'-0" A.F.F.		HALO		
(NL)	NIGHT LIGHT	PER LIGHT FIXTURE	PER LIGHT FIXTURE	PER LIGHT FIXTURE	5	ON 24 HOURS - SEE PLAN FOR EXACT LOCATIONS
△	EMERGENCY LITE W/ REMOTE BATTERY PACK AFN W EXT	SURFACE	(2) XENON @ 6W	LITHONIA	3	LOCATED IN W.I.B.C.
⊞	EMERGENCY LITE ELM2	WALL OR CEILING	(2) T-5 @ 5.4W	LITHONIA	12	EMERGENCY FIXTURE
⊞	EXIT/EMERGENCY LITE COMBO LHM-SWR-120/2T1	WALL OR CEILING	(2) T-5 @ 5.4W (1) LED @ 3.5W	LITHONIA	8	EMERGENCY EXIT FIXTURE
⊞	EXHAUST FAN				2	SEE MECHANICAL PLAN FOR ADDITIONAL INFORMATION

1 LIGHTING PLAN
SCALE: 1/8" = 1'-0"

LIGHTING PLAN GENERAL NOTES:

- SEAL OFF FITTINGS TO BE INSTALLED ON ALL RACEWAYS GOING TO THE WIBC AT TRANSITION FROM STORE TO COOLER.
- LIGHTING TO BE RELOCK OR EMT INSTALLATION.
- NL NIGHT LIGHT WITH EMERG. BALLAST
- EF EXHAUST FAN CONNECTED TO LIGHT
- GENERAL LIGHTING LOAD BRANCH CIRCUITRY TO HAVE NO MORE THAN 3 CIRCUITS PER HOME RUN.
- LSI LIGHTING - ELECTRICAL CONDUIT / WIRING TO PENETRATE EXTERIOR WALL AND DROP DOWN TO BELOW ROOF ELEVATION.
- ALL EMERGENCY LIGHTS, LIGHTING LOCATED IN THE WINE VAULT TO BE WATER / VAPOR PROOF AND ELECTRICAL OUTLETS LOCATED IN THE WINE VAULT TO BE GFI
- ALL CIRCUITRY DESIGNATED FOR FIXTURES WITH ELECTRONIC BALLASTS SHALL HAVE SEPERATE NEUTRAL CONDUCTORS PER PHASE CONDUCTOR.
- ALL SWITCHES TO BE COLOR COORDINATED WITH THE SURFACE THEY ARE MOUNTED TO.
- 3 CURRENT CARRY CONDUCTORS PER H.R.
- ALL DIMENSIONS ARE APPROX * VERIFY LOCATIONS'
- LIGHTING TO BE RELOCK OR EMT INSTALLATION
- WIRING TO BE INSTALLED IN PANELS PER THE FOLLOWING:
COLOR PHASE: BLACK - A, RED - B, BLUE - C, WHITE - NEUTRAL
- ALL WIRING WILL BE IDENTIFIED BY NUMBERS RELATING TO RESPECTIVE BREAKER LOCATION AND / OR CIRCUIT IDENTIFICATION.
- ALL WIRING TO BE LACED AND/OR TIE WRAPS, INSTALLED IN A PERPENDICULAR AND / OR HORIZONTAL METHOD AND FORMED AT 90° ANGLE, (NO LOOPING)

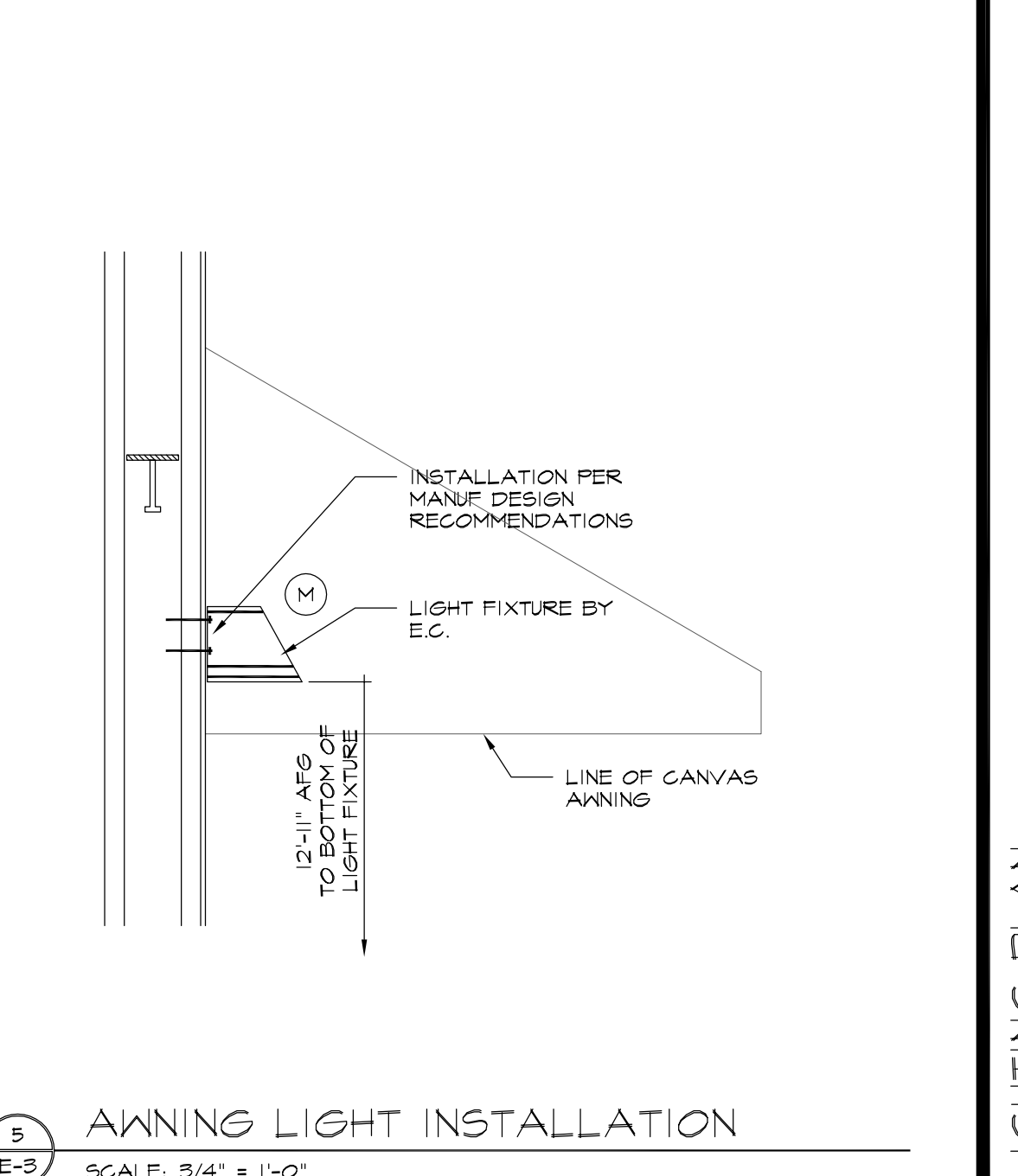
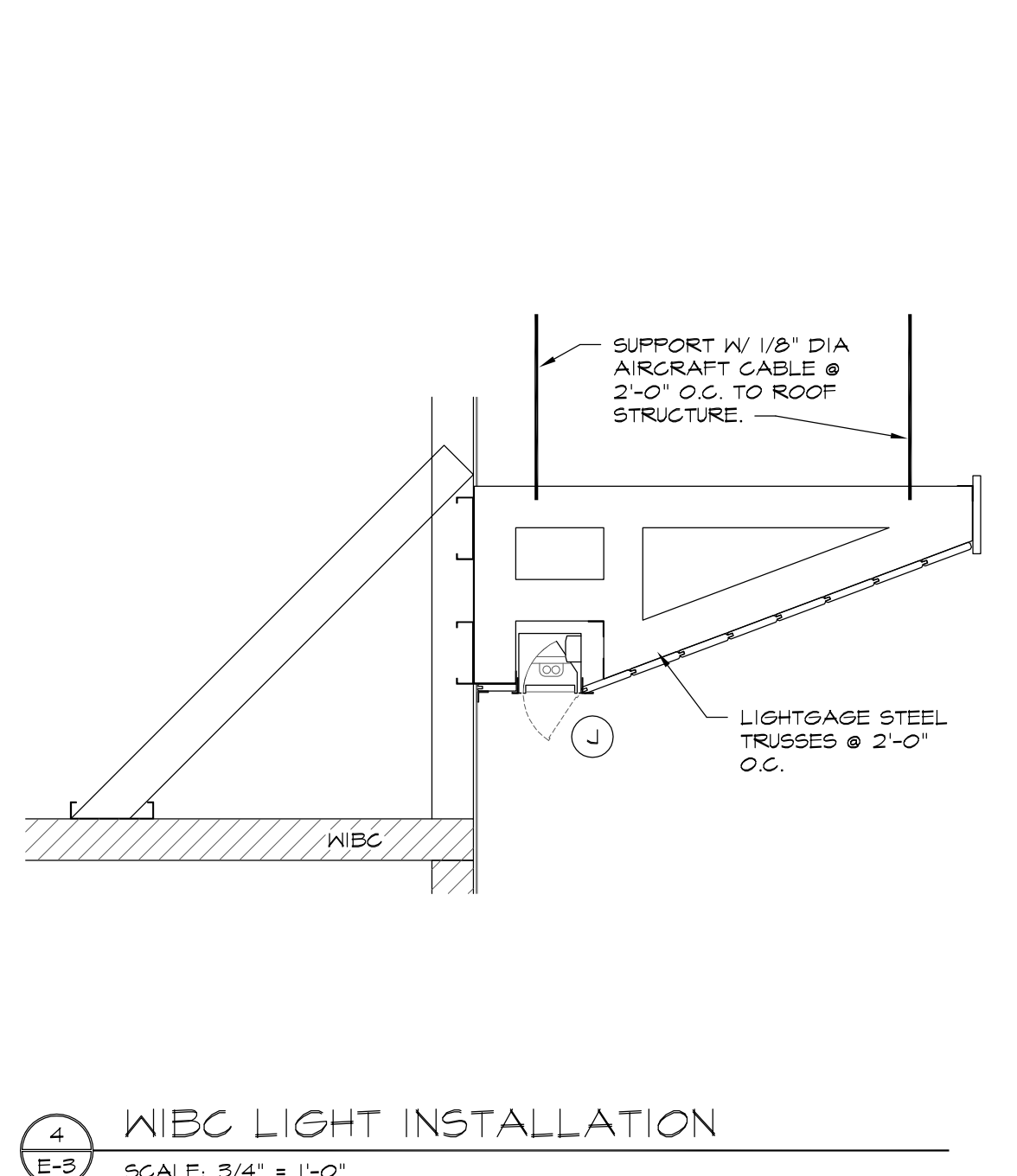
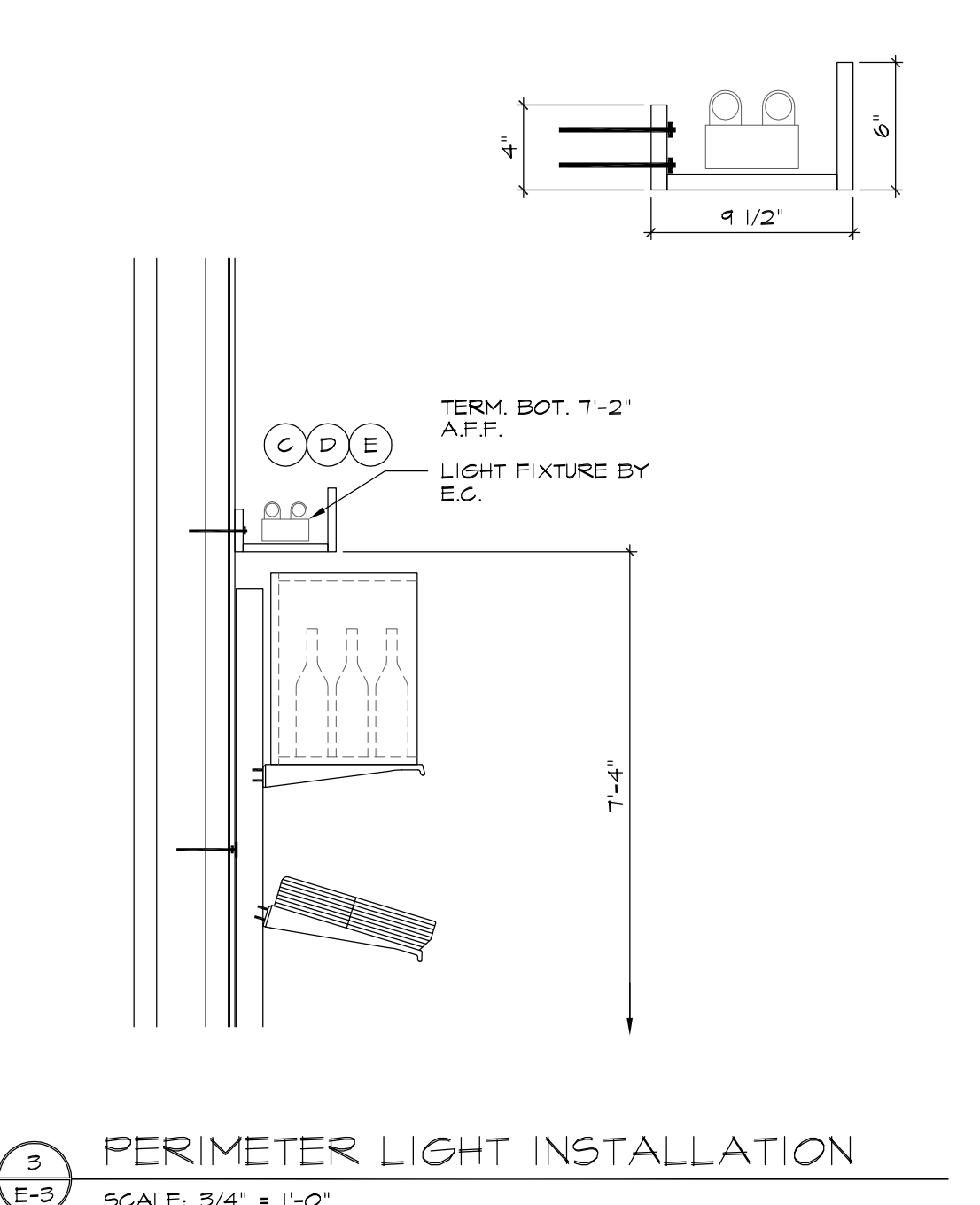
LIGHTING PLAN KEY NOTES:

- SWITCH TO OPERATE WIBC DOOR LIGHTS.
- BALLAST TO OPERATE BELOW 40°
- EXTEND WIRING CIRCUITS AT W.I.B.C. FOR LIGHTS, FRAME, DOOR HEATERS.
- NIGHT LIGHT WITH EMERGENCY BALLAST. CONNECT TO UN-SWITCHED LEG.
- AUDIO SPEAKER, REFER TO SHT. E-1 FOR SPEC. TERMINATE SPEAKER WIRE IN STORAGE RM.
- PROVIDE SWITCH BANK AS INDICATED, TO BE LOCATED NEAR P.O.S. COUNTER.
- REMOTE BATTERY PACK FOR EMERG. LIGHTING.

SWITCH BANK NOTES:
THE FOLLOWING LIGHTS ARE TO BE CONTROLLED VIA CONTACTOR:

- SHELF LIGHTS
- WIBC DOOR LIGHTS
- ALL SALES AREA LIGHTS
- RECEPTACLES ABOVE WIBC

2 SWITCH BANK DETAIL
SCALE: NO SCALE



REVISIONS BY	
OWNER REVISION	MCM
1-30-10	

ARTERBURY ARCHITECTS, INC.
AA 26000718
1009 MAITLAND CENTER COMMONS BLVD
SUITE 216 | MAITLAND, FL 32751
TEL: (407) 774-2233
FAX: (407) 774-7377

ABC LIQUORS, INC.
8989 S. ORANGE AVE. - ORLANDO, FLA. 32809
ABC STORE NO. 43
VERO BEACH CENTURY TOWN CENTER

DRAWN: M. MAISCO
CHECKED: S. RIVERA
DATE: 5-15-04
SCALE: AS NOTED
JOB No: 43
SHEET

E-3

LIGHTING PLAN