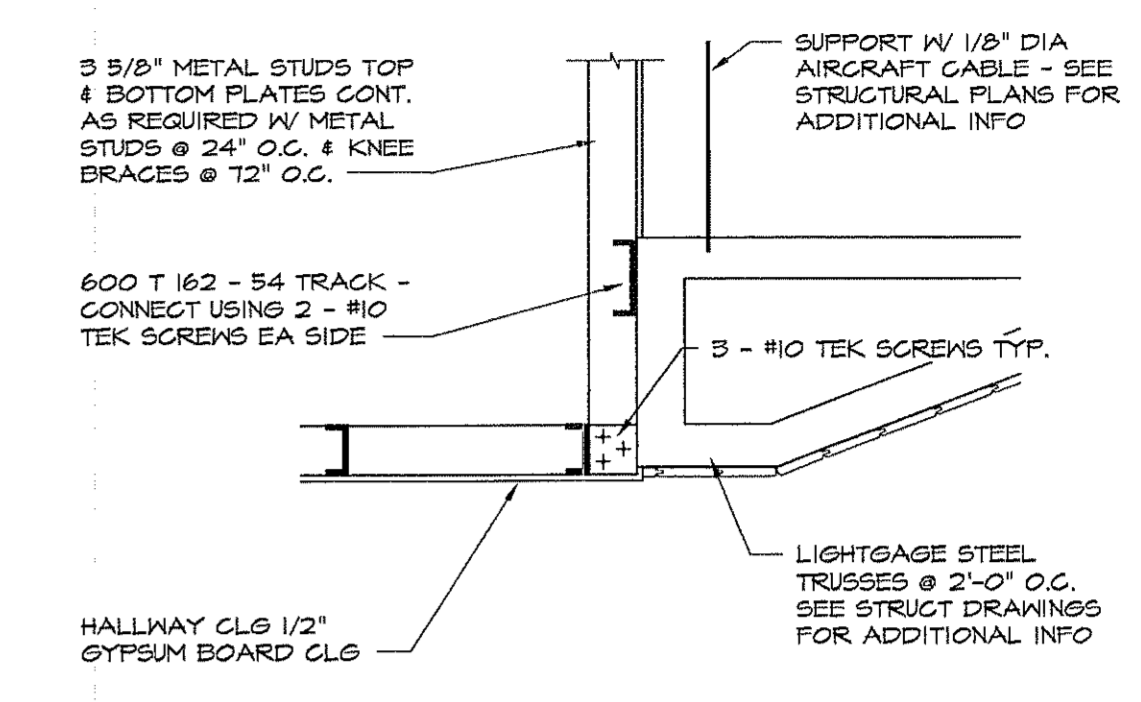


1 REFLECTED CEILING PLAN
SCALE: 1/8" = 1'-0"

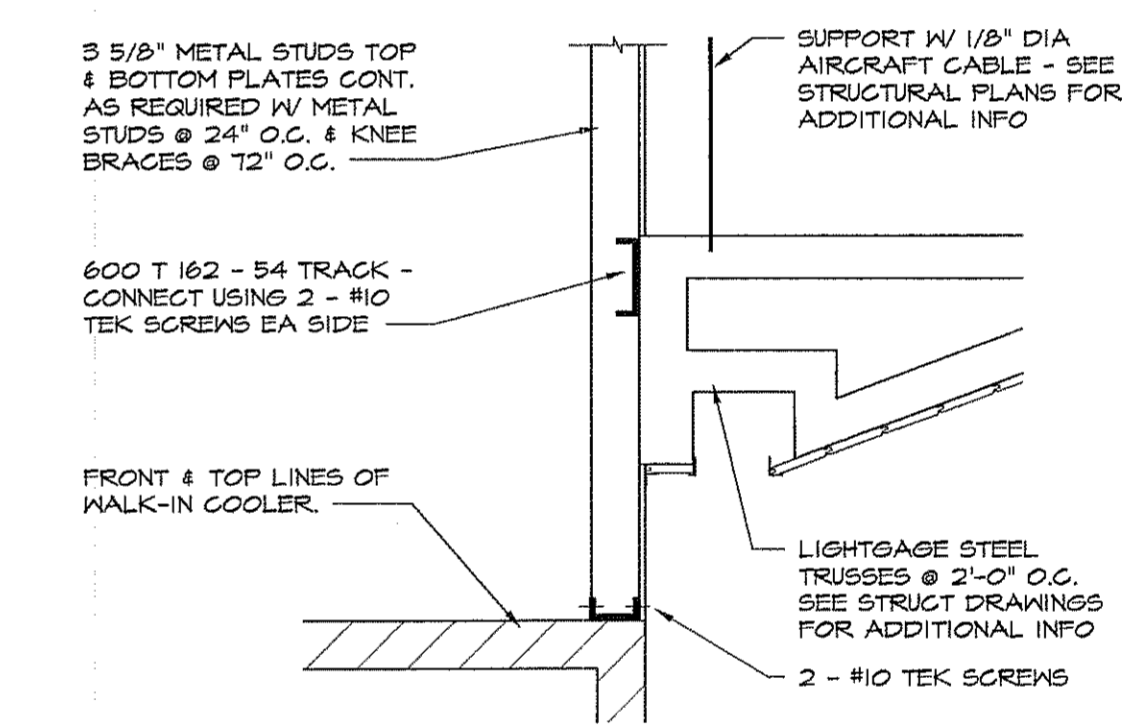
NOTE:
REFER TO ELEC./ LIGHTING PLAN FOR
EXIT, EMERGENCY, AND NIGHT LIGHTING
LOCATIONS.

REFLECTED CEILING LEGEND:

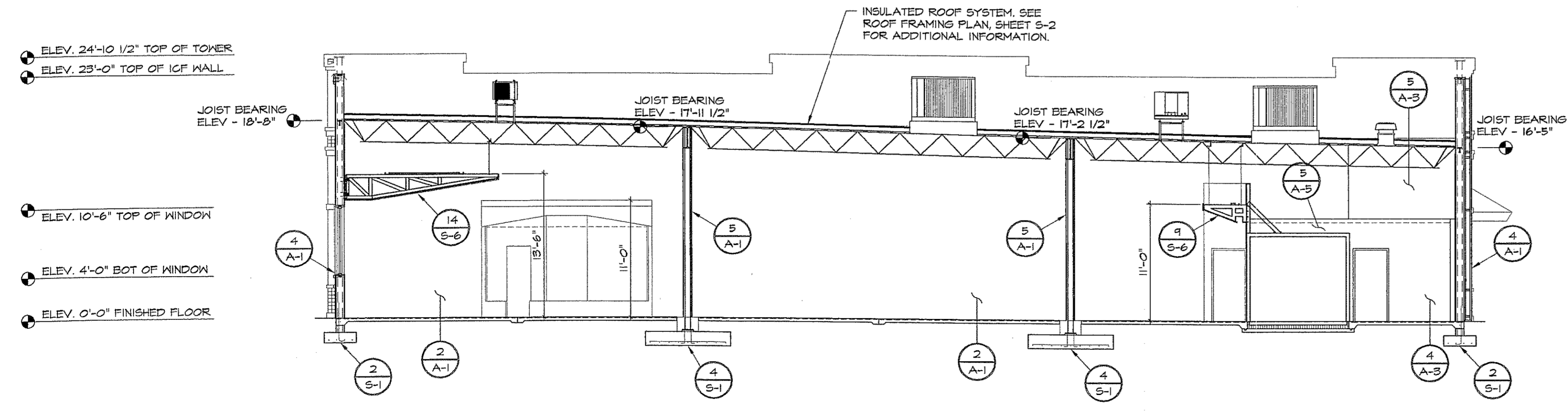
- ROUND SUPPLY DIFFUSER. SEE MECHANICAL DRAWINGS FOR SPECIFICATIONS.
- SQUARE SUPPLY DIFFUSER. SEE MECHANICAL DRAWINGS FOR SPECIFICATIONS.
- ⊠ FILTERED RETURN REGISTER. SEE MECHANICAL DRAWINGS FOR SPECIFICATIONS.
- ⊞ EXHAUST GRILLE. SEE MECHANICAL AND ELECTRICAL DRAWINGS FOR SPECIFICATIONS.
- 4' OR 8' LAMP STRIP LIGHT. SEE ELECTRICAL DRAWINGS FOR SPECIFICATIONS.
- WALL WASH STRIP WITH REFLECTOR. SEE ELECTRICAL DRAWINGS FOR SPECIFICATIONS.
- ⊞ FLUORESCENT HIGH BAY. SEE ELECTRICAL DRAWINGS FOR SPECIFICATIONS. MOUNT LIGHTS TO UNISTRUT CHANNEL SUSPENDED FROM STRUCTURE.
- ADJUSTABLE BIAx WALL WASH. SEE ELECTRICAL DRAWINGS FOR SPECIFICATIONS.
- 8" HORIZONTAL REGRESSED LENSED DOWNLIGHT. SEE ELECTRICAL DRAWINGS FOR SPECIFICATIONS.
- 8" SQUARE KATI PENDANT. SEE ELECTRICAL DRAWINGS FOR SPECIFICATIONS. (BOTTOM OF PENDANT TO BE 1'-0" A.F.F.)
- 16" BRUSHED STAINLESS DOME PENDANT. SEE ELECTRICAL DRAWINGS FOR SPECIFICATIONS. (BOTTOM OF PENDANT TO BE 8'-0" A.F.F.)
- SURFACE MOUNTED COOLER LIGHT. SEE ELECTRICAL DRAWINGS FOR SPECIFICATIONS.
- ⊞ EMERGENCY LIGHTING. SEE ELECTRICAL DRAWINGS FOR SPECIFICATIONS.
- TRACK LIGHTING. SEE ELECTRICAL DRAWINGS FOR SPECIFICATIONS.
- ⊞ HALO L5056 STASIS CERAMIC METAL HALIDE LAMP ON GRID. SEE ELECTRICAL DRAWINGS FOR SPECIFICATIONS. MOUNT TO GRID OR CEILING AS NOTED PER PLANS.
- ⊞ RECESSED AT MANSARD SOFFIT LIGHTING. SEE ELECTRICAL DRAWINGS FOR SPECIFICATIONS.
- ⊞ EMERGENCY LIGHT. SEE ELECTRICAL DRAWINGS FOR SPECIFICATIONS.
- ⊞ EXIT / EMERGENCY LIGHT COMBO. SEE ELECTRICAL DRAWINGS FOR SPECIFICATIONS.
- ⊞ AUDIO SPEAKER. SEE ELECTRICAL DRAWINGS FOR SPECIFICATIONS.
- ▨ 6" T&G RS CEDAR CEILING



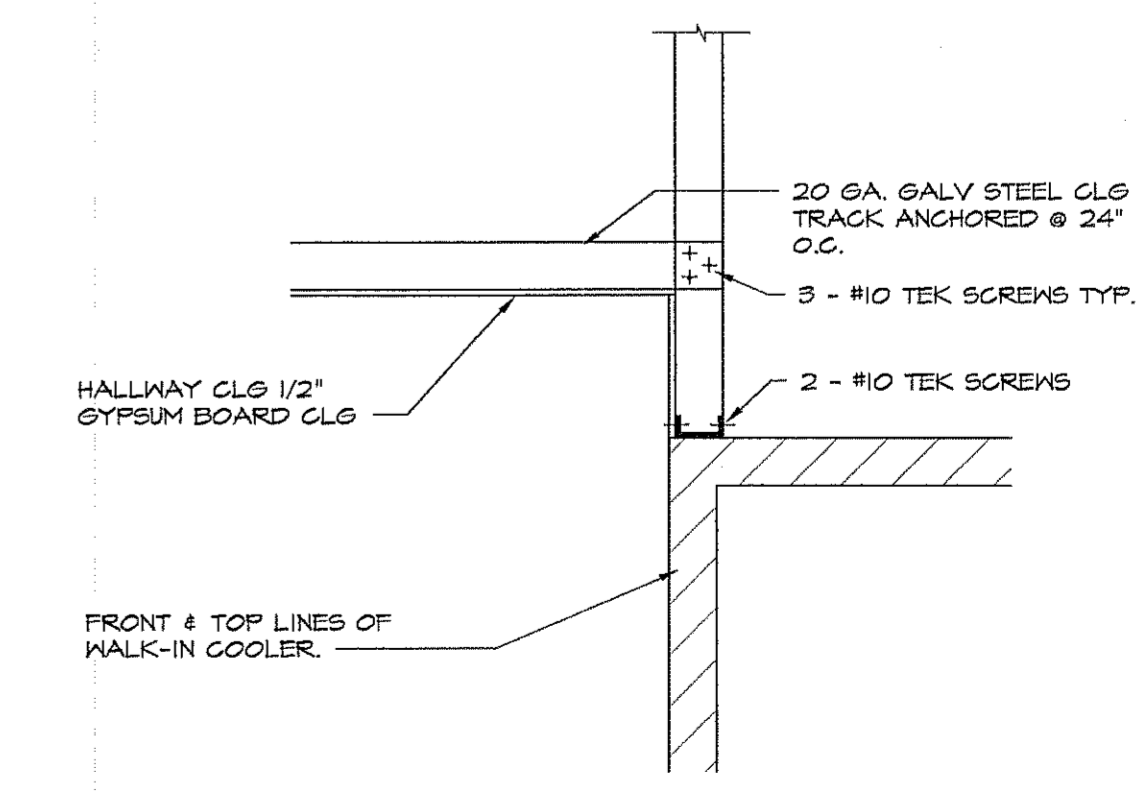
SECTION @ HALLWAY ENTRANCE
SCALE: 3/4" = 1'-0"



W.I.B.C. PACKAGE
WALL ABOVE W.I.B.C. AT PACKAGE
SCALE: 3/4" = 1'-0"



2 BUILDING SECTION
SCALE: 1/8" = 1'-0"



HALLWAY W.I.B.C.
WALL ABOVE W.I.B.C. AT HALLWAY
SCALE: 3/4" = 1'-0"

REVISIONS	BY

ARTERBURY ARCHITECTS, INC.
AA26000718
1009 MAITLAND CENTER COMMONS BLVD
(SUITE 216) MAITLAND, FL 32751
TEL: (407) 774-2233
FAX: (407) 774-7377

Handwritten signature and date: 5/15/09

ABC LIQUORS, INC.
8989 S. ORANGE AVE. - ORLANDO, FLA. 32809
ABC STORE NO. 43
VERO BEACH CENTURY TOWN CENTER

REFLECTED CEILING PLAN
DRAWN: M. MAISCO
CHECKED: S. RIVERA
DATE: 5-15-09
SCALE: AS NOTED
JOB No: 43
SHEET

A-5