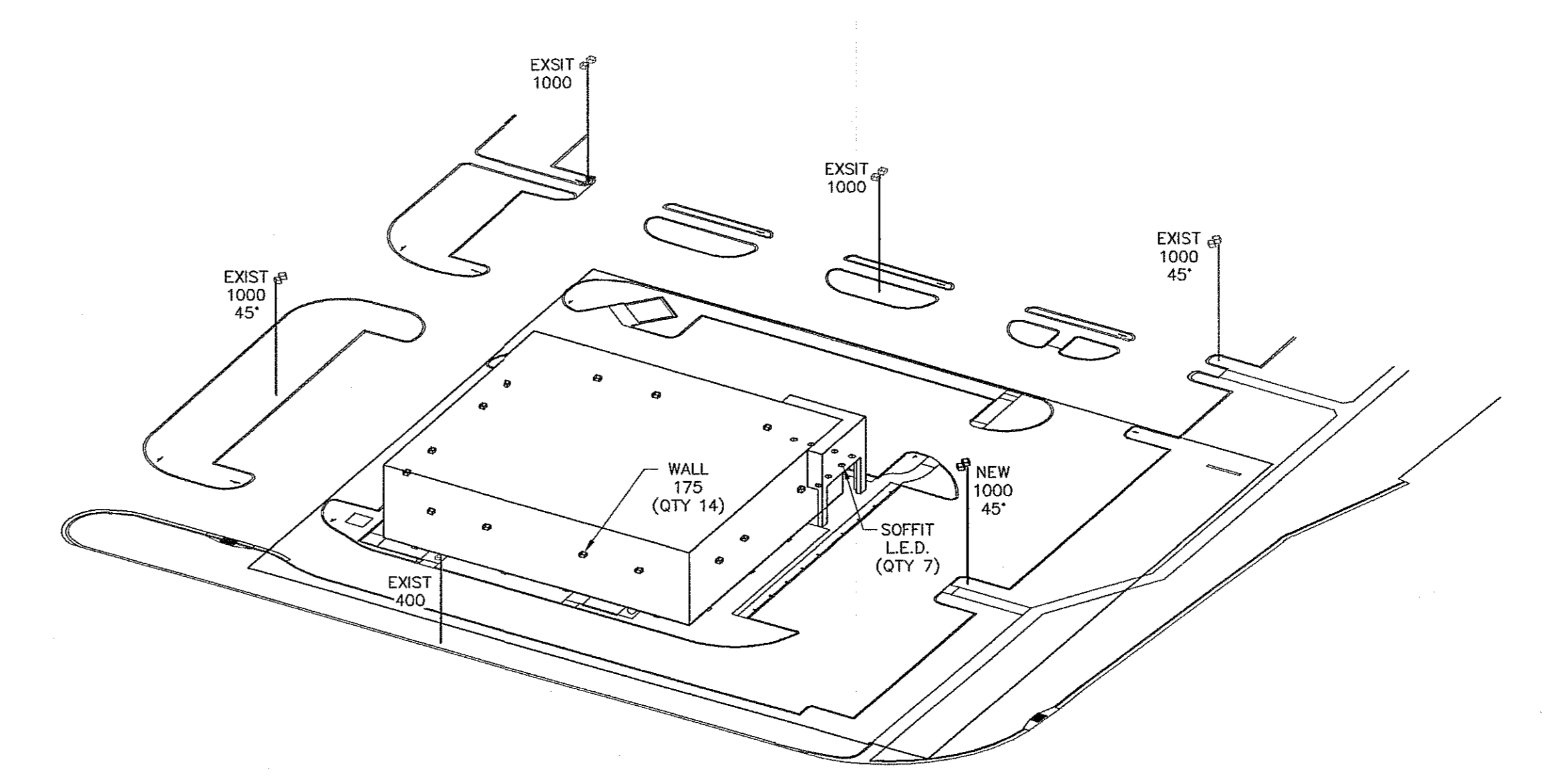
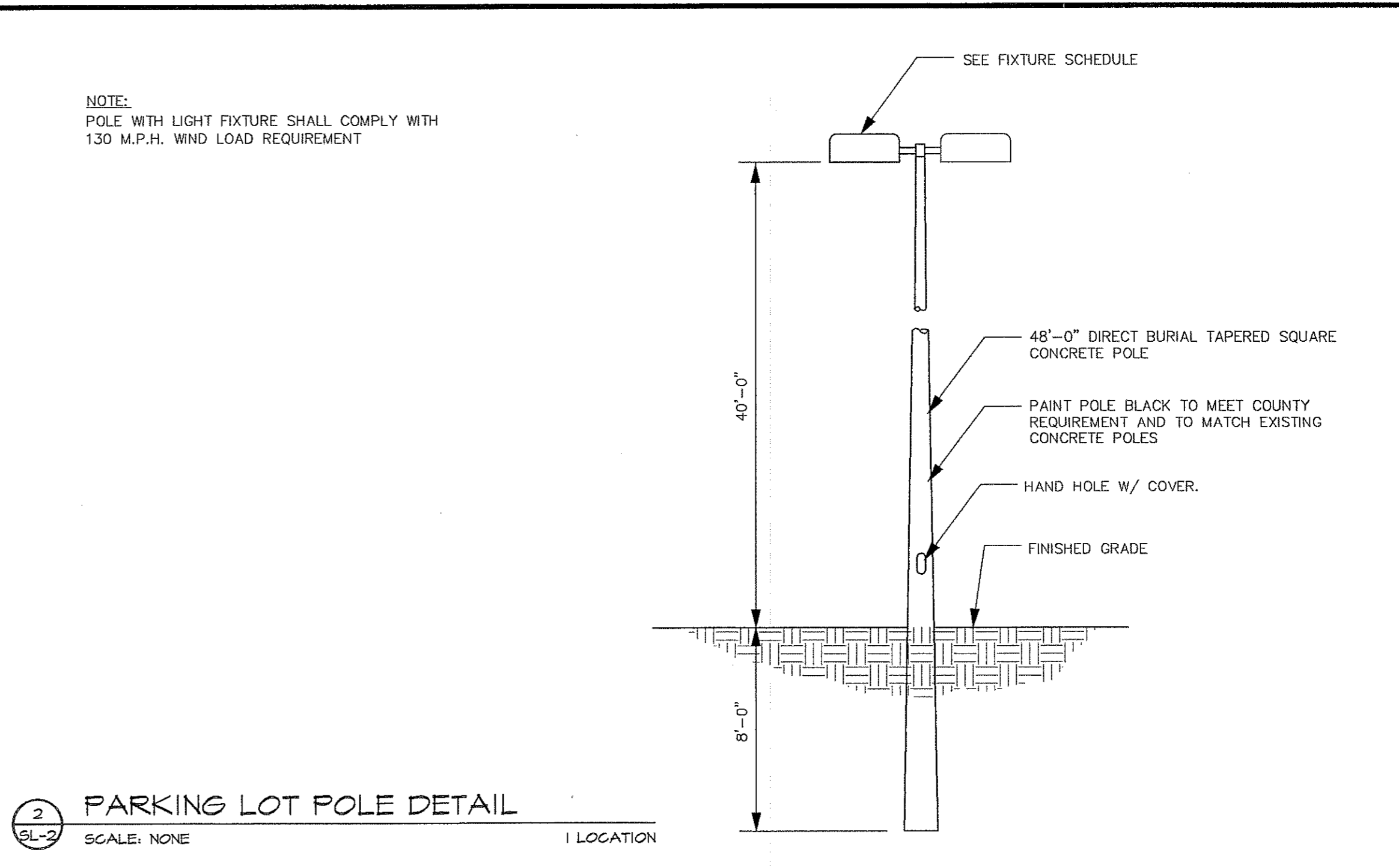


1 SITE PHOTOMETRICS PLAN  
SCALE: 1" = 20'-0"

| SYMBOL | LABEL          | QTY   | CATALOG NUMBER           | DESCRIPTION                                                                              | LAMP                                                                   | LUMENS | LLF  | NOTES                                                                                              |
|--------|----------------|-------|--------------------------|------------------------------------------------------------------------------------------|------------------------------------------------------------------------|--------|------|----------------------------------------------------------------------------------------------------|
| □      | EXIST 400      | EXIST | KVS3 400M R3             | ARM MNT SQUARE CUTOFF W/ANODIZED ALUMINUM REFL. CLEAR CONVEX GLASS.                      | ONE 400-WATT CLEAR B1-37 PULSE START METAL HALIDE HORIZONTAL POSITION. | 38000  | 0.81 | EXISTING ALUMINUM LIGHT POLE<br>LIGHT MOUNTED @ 30'-0" AFG                                         |
| □      | EXIST 1000     | EXIST | AME-4-T3-1000MH-VLFG     | AMERICAN SIZE 4-T3-1000MH-FLAT GLASS-SPECULAR REFLECTOR LUMINAIRE SIZE 23" X 23" X 15"   | 1000MH VERTICAL BASE UP                                                | 110000 | 0.81 | EXISTING 48"-0" PAINTED CONCRETE LIGHT POLE<br>LIGHT MOUNTED @ 40'-0" AFG                          |
| ◇      | EXIST 1000 45° | EXIST | AME-4-T3-1000MH-VLFG     | AMERICAN SIZE 4-T3-1000MH-FLAT GLASS-SPECULAR REFLECTOR LUMINAIRE SIZE 23" X 23" X 15"   | 1000MH VERTICAL BASE UP                                                | 110000 | 0.81 | EXISTING 48"-0" PAINTED CONCRETE LIGHT POLE<br>LIGHT MOUNTED @ 40'-0" AFG                          |
| ◇      | NEW 1000 45°   | 1     | AME-4-T3-1000MH-VLFG     | AMERICAN SIZE 4-T3-1000MH-FLAT GLASS-SPECULAR REFLECTOR LUMINAIRE SIZE 23" X 23" X 15"   | 1000MH VERTICAL BASE UP                                                | 110000 | 0.81 | NEW 48"-0" CONCRETE LIGHT POLE PAINTED TO MATCH EXISTING LIGHT POLES<br>LIGHT MOUNTED @ 40'-0" AFG |
| ○      | SOFFIT L.E.D.  | 7     | A2/B1-05                 | WITH WHITE TRIM AND RECESSED WHITE PLASTIC LENS                                          | LEDS. LUMEN RATING = 648 LMS.                                          | 647    | 0.95 | LIGHT MOUNTED @ 12'-0" AFG @ ENTRANCE SOFFIT                                                       |
| ■      | WALL 175       | 14    | ASW1 175M SR2 HS (PROBE) | AERIS ARCHITECTURAL BUILDING MOUNTED LUMINAIRE, SR2 DISTRIBUTION WITH HOUSE SIDE SHIELD. | ONE 175-WATT CLEAR ED17 METAL HALIDE, HORIZONTAL POS.                  | 12800  | 0.81 | LIGHT MOUNTED @ 14'-0" AFG UNDER CANVAS CANOPY                                                     |

| Description    | Symbol | Avg    | Max     | Min    | Max/Min | Avg/Min |
|----------------|--------|--------|---------|--------|---------|---------|
| Landscape Zone | □      | 5.6 fc | 16.2 fc | 0.5 fc | 32.4:1  | 11.2:1  |
| Outside Lot    | ×      | 5.0 fc | 10.8 fc | 0.5 fc | 21.6:1  | 10.0:1  |
| Parking Zone   | ✕      | 5.8 fc | 12.6 fc | 1.8 fc | 7.0:1   | 3.2:1   |



| REVISIONS | BY |
|-----------|----|
|           |    |
|           |    |
|           |    |
|           |    |
|           |    |

ABC LIQUORS, INC.  
8989 S. ORANGE AVE. - ORLANDO, FLA. 32809

ABC STORE NO. 43  
VERO BEACH CENTURY TOWN CENTER

*[Signature]*  
7-25-09

ABC LIQUORS, INC.  
8989 S. ORANGE AVE. - ORLANDO, FLA. 32809

ABC STORE NO. 43  
VERO BEACH CENTURY TOWN CENTER

SITE PHOTOMETRICS PLAN

DRAWN: M. MAISCO  
CHECKED: S. RIVERA  
DATE: 5-15-09  
SCALE: AS NOTED  
JOB No: 43  
SHEET

SL-2