

REVISIONS	BY

ARTERBURY ARCHITECTS, INC.
 A A 260 0718
 1009 MAITLAND CENTER COMMONS BLVD
 (SUITE 216) MAITLAND, FL. 32751
 TEL: (407) 774-2283
 FAX: (407) 774-7377

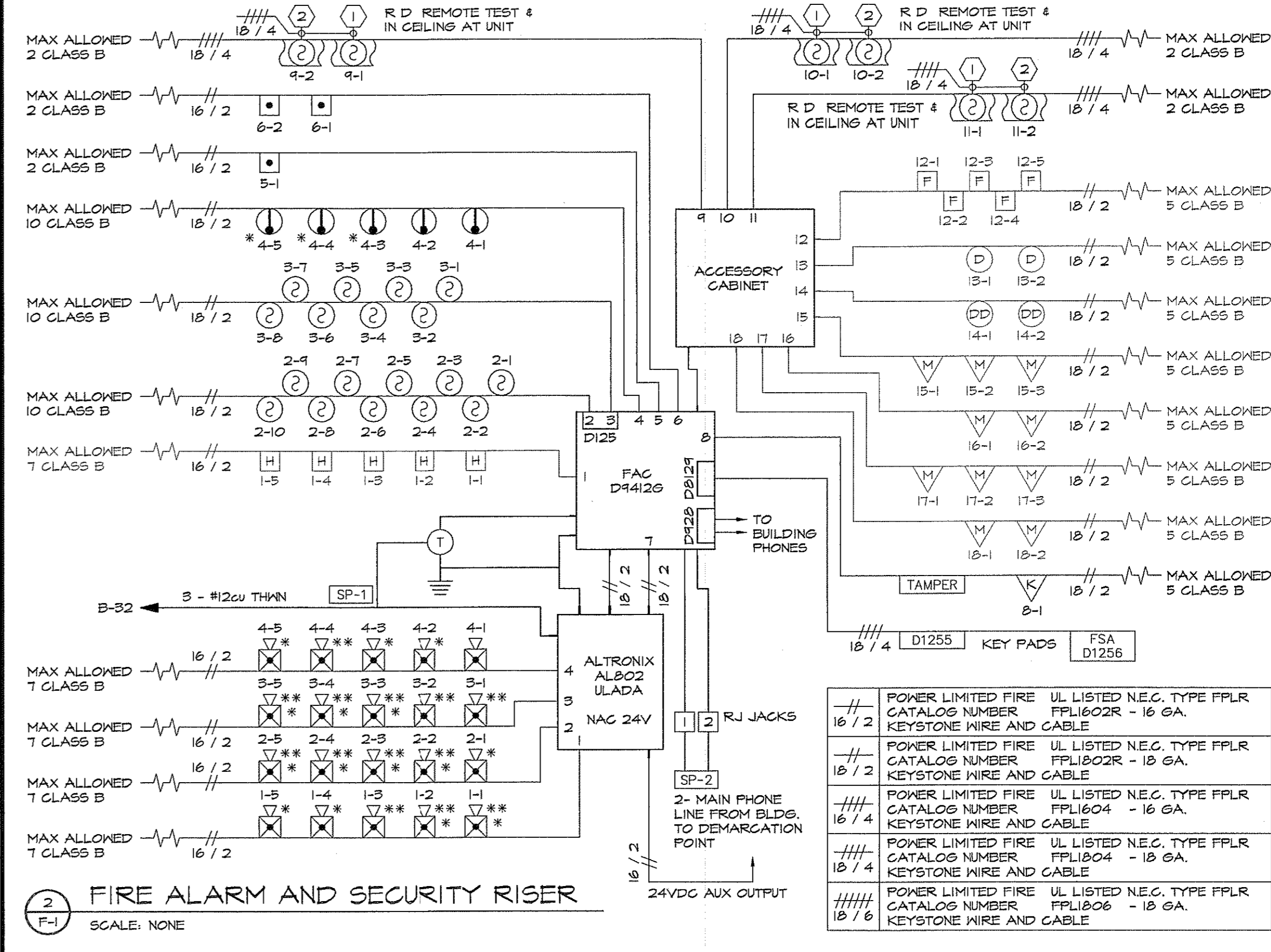
[Signature]
 2-28-09

ABC LIQUORS, INC.
 8889 S. ORANGE AVE. - ORLANDO, FLA. 32809
ABC STORE NO. 43
 VERO BEACH CENTURY TOWN CENTER

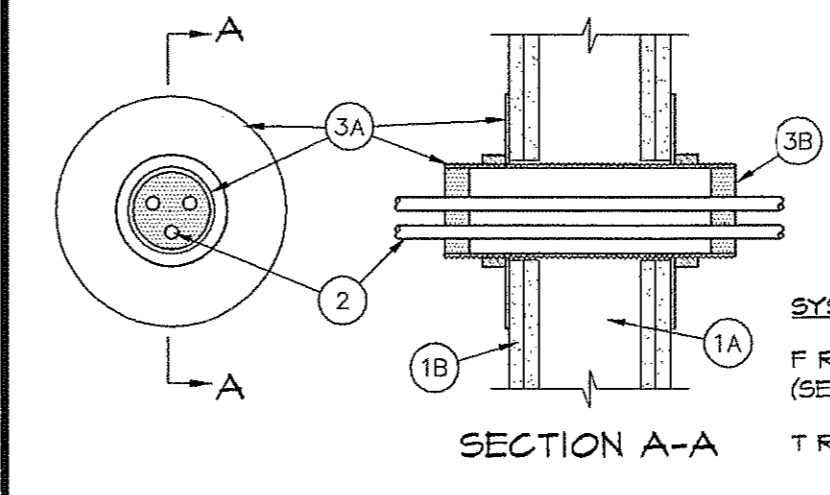
DRAWN: M. MAISCO
 CHECKED: S. RIVERA
 DATE: 5-15-09
 SCALE: AS NOTED
 JOB No: 43
 SHEET

FIRE ALARM SYSTEM POINT LIST				SECURITY ALARM SYSTEM POINT LIST			
POINT	ZONE DESCRIPTION	FACP	NOTIFICATION CIRCUITS	POINT	ZONE DESCRIPTION	POINT	ZONE DESCRIPTION
PT-2	SMOKE DETECTOR	NAC-1	HORN & STROBE SUPERVISION	PT-14	HOLD UP	PT-14	FRONT DOOR
PT-3	SMOKE DETECTOR	NAC-2	HORN & STROBE SUPERVISION	PT-15	FACP CONNECTION	PT-15	FRONT STORE PIR
PT-4	HEAT DETECTORS	NAC-3	HORN & STROBE SUPERVISION	PT-16	TAMPER KNOX BOX	PT-16	FRONT STORE PIR
PT-5	FRONT STORE FULL STATION	NAC-4	HORN & STROBE SUPERVISION	PT-17	GLASS BREAK	PT-17	REAR STORE PIR
PT-6	REAR STORE FULL STATION			PT-18	REAR DOOR	PT-18	ROOM PIR
PT-9	A/C DUCT SMOKE DETECTOR #1						
PT-10	A/C DUCT SMOKE DETECTOR #2						
PT-11	A/C DUCT SMOKE DETECTOR #3						

NOTE: THIS IS AN INSTALLATION DIAGRAM AND IT IS EXPECTED THAT THE SYSTEM WILL BE INSTALLED IN ACCORD WITH THIS DIAGRAM.



FIRE ALARM AND SECURITY RISER
 SCALE: NONE



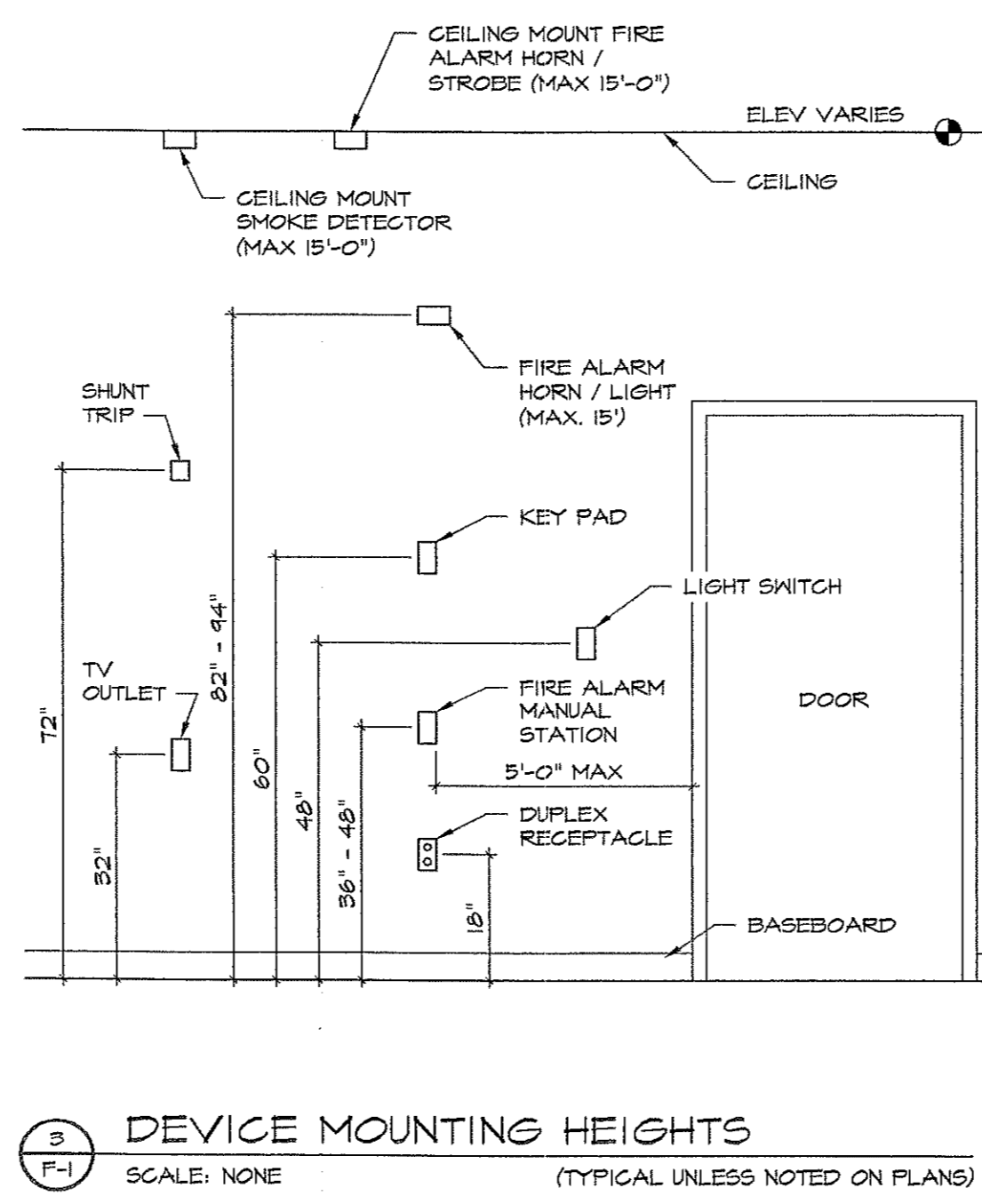
SYSTEM NO. W-L-3188
 F RATINGS - 1 AND 2 HR (SEE ITEM 1)
 T RATINGS - 0 HR

FIRE ALARM NOTES:

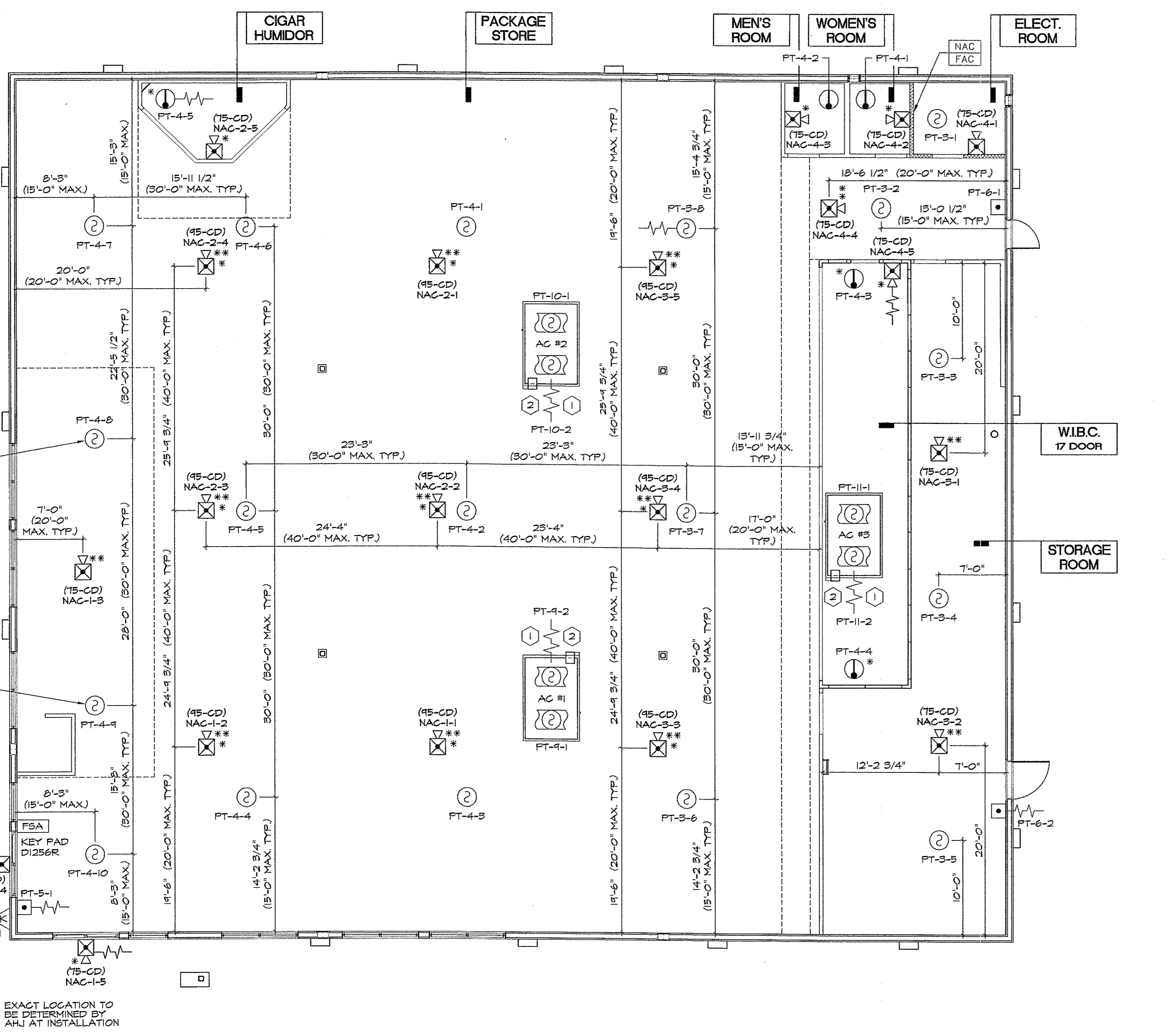
- CONTRACTOR IS RESPONSIBLE FOR PHONE LINE HOOK UP TO R-151 JACK TO ALARM SYSTEM, AND PHONE LINES FROM PHONE BOARD TO ALARM BOARD. THE C.A.T.V. SYSTEM TO BE FULLY OPERATIONAL. 2-CONDUCTOR FROM ALARM DCTO RELAY TO VCR FOR REAL TIME ACTIVATION.
- CONTRACTOR IS RESPONSIBLE TO PROVIDE A LOG BOOK AND DRAWINGS, WHICH SHALL BE ATTACHED TO FIRE ALARM PANEL.
- CONTRACTOR WILL SUPPLY ALL REQUIRED EQUIPMENT, TESTING AND MATERIAL TO SUPPLY ABC W/ A FULLY OPERATIONAL RADIONICS FIRE ALARM SYSTEM.
- CONTRACTOR IS RESPONSIBLE TO INSTALL THE FIRE ALARM SYSTEM TO MEET ALL CITY, COUNTY, N.F.P.A. AND FLORIDA ACCESSIBILITY CODES.
- NO WIRES TO BE EXPOSED.
- ALL FIRE ALARM WIRING TO BE APPROVED W/ COUNTY, STATE & CITY CODES.
- THE HEIGHTS OF THE KEY PAD, FULL STATIONS, STROBES, HORN STROBES TO MEET N.F.P.A. AND ALL STATE, COUNTY AND FLORIDA ACCESSIBILITY CODE REQUIREMENTS.
- PANEL AND ALL ACCESSORIES TO BE BOSCH / RADIONICS NO ACCEPTION.
- ABC - ID #41087-001 IS TO MONITOR THIS SYSTEM W/ CENTRAL STATION CONTACT # (407) 881-0000 (EXT. 2443), UL FILE # 52624-1 FIRE ALARM.
- CONTRACTOR TO PROVIDE AND APPLY ALL NECESSARY CERTIFICATION LABELS ON THE FIRE ALARM PANEL, AND FILE ALL REQ'D. PAPER WORK TO REGISTER AND CERTIFY THE PANELS.
- ALL LOW VOLTAGE WIRING TO MEET REQUIREMENTS OF UL LISTING TYPE FPLR REFER TO BE IN ACCESSIBLE LOCATIONS. ALL RACEWAYS TO HAVE APPROVED TRANSITION FITTINGS FROM IN ACCESSIBLE LOCATIONS TO ACCESSIBLE LOCATIONS.
- INSTALLATION AND LOCATION OF ALL HEAT, SMOKE, STROBES, HORN STROBES, FULL STATIONS, ANNUNCIATOR, ETC. TO BE COORDINATED W/ OTHER EQUIP.
- CONTRACTOR TO LABEL ALL DEVICES.
- ELECTRICAL CONTRACTOR TO PROVIDE A DEDICATED CIRCUIT LABELED IN RED AND MECHANICALLY PROTECTED, (FIRE ALARM POWER) PANEL B-32.
- ELECTRICAL CONTRACTOR TO PROVIDE 1/2" CHASE THROUGH FIREWALL TO TERMINATE ON EACH SIDE OF FIRE WALL (OVER 24" INCHES FROM EACH SIDE OF FIRE WALL) IN A 12"x12"x6" J BOX.
- ALL DEVICE LOCATION ARE APPROX. "VERIFY" OR AS STATED ON PLAN.
- ALL EQUIPMENT IDENTIFIED, COMPATIBLE & LISTED FOR USE & INDICATED ON PLANS INCLUDING UNIQUE IDENTIFICATION NUMBER.
- DUCT SMOKE DETECTOR REMOTE TEST SHALL BE MOUNTED CEILING TILE.
- SYSTEM INSTALLATION SHALL BE CABLED W/ MIN. 18 GA. WIRE SIZE. OPEN WIRE INSTALLATION, CONDUIT SLEEVES USED FOR PROTECTION.
- ALL CONDUIT SHALL BE MIN. 1/2" Ø, MAX. 40% FILLED, TYP.
- ALL STROBE LIGHTS AND HORNS SHALL BE SYNCHRONIZED.
- KNOX BOX INSTALLED IN ACCORDANCE TO AUTHORITY HAVING JURISDICTION.
- ANNUNCIATOR SHALL BE INSTALLED IN KEY LOCK ENCLOSURE (CLEAR).
- DUCT SMOKE DETECTOR WILL BE SUPERVISION ONLY.
- ALL INITIATING, NOTIFICATION, SINGLE LINE CIRCUITS ARE CLASS B CIRCUITS.
- 24 VOLT POWER SUPPLIED FROM ALTRONIX AL802-ULADA AUX. POWER TO INITIATING DEVICES, (SMOKE DET., DUCT SMOKE DET., AND CLEAN ME MODULE) MONITORING ONLY.
- AA. ALARM CONTRACTOR WILL CONNECT TO FIRE ALARM SYSTEM.
- BB. A SEPARATE MONITORING PERMIT IS REQUIRED. INSTALLATION OF THE TELEPHONE SURGE SUPPRESSION AND THE CABLES CONNECTING THE DIALER TO THE PHONE LINE SURGE SUPPRESSION TO THE PHONE JACKS WILL BE INSTALLED BY THE MONITORING CONTRACTOR UNDER THE "FIRE ALARM SYSTEM MONITORING ONLY" PERMIT.
- CC. SURGE PROTECTORS ARE LOCATED AT PANEL BOARD.

- WALL ASSEMBLY - THE 1 OR 2 HR FIRE-RATED GYPSUM WALLBOARD / STUD WALL ASSEMBLY SHALL BE CONSTRUCTED OF THE MATERIALS AND IN THE MANNER DESCRIBED IN THE INDIVIDUAL U300 OR U400 SERIES MALL OR PARTITION DESIGNS IN THE UL FIRE RESISTANCE DIRECTORY AND SHALL INCLUDE THE FOLLOWING CONSTRUCTION FEATURES:
 - STUDS - WALL FRAMING SHALL CONSIST OF EITHER WOOD STUDS OR STEEL CHANNEL STUDS. WOOD STUDS TO CONSIST OF NOM 2 BY 4 IN. LUMBER SPACED 16 IN. OC. STEEL STUDS TO BE MIN 3-5/8 IN. WIDE AND SPACED 24 IN. OC.
 - GYPSUM BOARD* - 5/8 IN. THICK, 4 FT WIDE WITH SQUARE OR TAPERED EDGES, THE GYPSUM WALLBOARD TYPE, THICKNESS, NUMBER OF LAYERS, FASTENER TYPE AND SHEET ORIENTATION SHALL BE AS SPECIFIED IN THE INDIVIDUAL U300 OR U400 SERIES DESIGNS IN THE UL FIRE RESISTANCE DIRECTORY.
 THE HOURLY F RATING OF THE FIRESTOP SYSTEM IS EQUAL TO THE HOURLY F RATINGS OF THE WALL ASSEMBLY IN WHICH IT IS INSTALLED.
- CABLES - AGGREGATE CROSS-SECTIONAL AREA OF CABLES IN THREADED SLEEVE TO BE MIN 8 PERCENT TO MAX 48 PERCENT OF THE AGGREGATE CROSS-SECTIONAL AREA OF THE THREADED SLEEVE. CABLES TO BE RIGIDLY SUPPORTED ON BOTH SIDES OF WALL ASSEMBLY. ANY COMBINATION OF THE FOLLOWING TYPES AND SIZES OF CABLES MAY BE USED:
 - MAX 200 PAIR NO. 24 AWG (OR SMALLER) COPPER CONDUCTOR CABLE WITH POLYVINYL CHLORIDE (PVC) JACKETING AND INSULATION.
 - MAX 1/2" 750 OHM POWER CABLE WITH COPPER CONDUCTORS AND CROSSLINKED POLYETHYLENE (XLPE) JACKETING.
 - MAX 3/8" NO. 2/0 AWG (OR SMALLER) ALUMINUM OR COPPER CONDUCTOR SERVICE ENTRANCE CABLE WITH PVC INSULATION AND JACKET.
 - MAX 3/8" NO. 8 AWG (OR SMALLER) NONMETALLIC SHEATHED (ROMEX) CABLE WITH COPPER CONDUCTORS, PVC INSULATION AND JACKET.
 - MAX 7/8" NO. 2/0 AWG (OR SMALLER) MULTICONDUCTOR POWER AND CONTROL CABLES WITH XLPE OR PVC INSULATION AND XLPE OR PVC JACKET.
 - MAX RS894/ (OR SMALLER) COAXIAL CABLE WITH FLUORINATED ETHYLENE INSULATION AND JACKETING.
 - MAX 625/48 FIBER OPTIC CABLE WITH PVC INSULATION AND JACKETING.
 - MAX 4 PAIR NO. 24 AWG (OR SMALLER) COPPER CONDUCTOR CATEGORY 5 WITH NYLAR INSULATION AND JACKET.
- FIRESTOP SYSTEM - THE FIRESTOP SYSTEM SHALL CONSIST OF THE FOLLOWING:
 - FIRESTOP DEVICE* - THREADED STEEL SLEEVE DEVICE INCORPORATING FLAT WASHERS SECURED BY THREADED COUPLERS. DEVICE SHALL BE INSTALLED AROUND CABLES IN ACCORDANCE WITH THE ACCOMPANYING INSTALLATION INSTRUCTIONS. DEVICE PROVIDED IN NOM 1, 2 AND 4 IN. SIZES. MAX DIAM OF OPENING IN WALL FOR 1, 2 AND 4 IN. SIZE DEVICES ARE 1-1/4, 2-7/16 AND 4-1/2 IN. RESPECTIVELY.
 - UNIQUE FIRESTOP PRODUCTS IN THREADED SLEEVE
 - FILL, VOID OR CAVITY MATERIAL* - SEALANT OR PUTTY - MIN 1 IN. THICKNESS OF FILL MATERIAL APPLIED WITHIN THE THREADED SLEEVE, FLUSH WITH BOTH SIDES.
 - SPECIFIED TECHNOLOGIES INC - SPECSEAL SERIES 100 SEALANT OR SPECSEAL PUTTY.

* BEARING THE UL CLASSIFICATION MARK
DESIGN NO. W-L-3188
 SCALE: NONE



DEVICE MOUNTING HEIGHTS
 SCALE: NONE (TYPICAL UNLESS NOTED ON PLANS)



NOTE: REFER TO ELECT LIGHTING PLAN FOR EXIT, EMERGENCY, AND NIGHT LIGHTING LOCATIONS.

FIRE ALARM PLAN
 SCALE: 1/8" = 1'-0"

FIRE ALARM LEGEND						
SYMBOL	QTY (DEVICES)	QTY (EQUIP)	DESCRIPTION	LOCATION	MANUFACTURER	REMARKS
[NAC]	1	1	AL802ULADA HORN STROBE / POWER MODULE	NEXT TO COMMUNICATOR	ALTRONIX	
[FAC]	1	1	D94126V2 FIRE ALARM COMMUNICATOR	WALL MOUNT IN ELECTRICAL ROOM	BOSCH	ACC. CABINET BOSCH - D9128 x 2
[T]	1	1	D8004 TRANSFORMER ENCLOSURE & TRANSFORMER 16.5 VOLTS @ 40 VA	OVER DEDICATED ALARM ELECTRICAL RECEPTACLE	BOSCH	
[ESL]	2	2	ESL505 CLEANME MODULE * 20 SMOKE DETECTORS MAX.	WALL MOUNT	ESL	24V DC TERMINALS 12V DC TERMINALS
[FSA]	1	1	D1256 ALPHA KEYPAD (ANNUNCIATOR TYPE)	FLUSH WALL 40" TO 48" A.F.F.	BOSCH	BOSCH D-428 D-8124
[SP-1]	1	1	DTK-120HM SURGE PROTECTOR	AT PANELS	DITEK	
[SP-2]	1	1	28060G / 1G SURGE PROTECTOR	AT PANELS	GIRCA	
[SP-3]	1	1	DTK-22P5CXP SURGE PROTECTOR	AT PANELS	DITEK	
[A]	1	1	FIRE DEPARTMENT STORE KEY ENCLOSURE	ABOVE FRONT DOOR	FIRE DEPARTMENT STANDARD	
[WAVE]	15	15	END OF LINE RESISTOR	IN BOX OR AT DEVICE - SEE POINT ASSIGNMENT	N/A	
[X]	1	1	GEC3 24 PAIR @ 75 CD AUDIO & VISUAL	WALL MOUNTED 80" A.F.F.	GENTEX	
[X]	6	6	NGE3 75 WR GEH24 SERIES W/ GOE WEATHER RESISTANT ENCLOSURE	WALL MOUNTED 80" A.F.F.	GENTEX	
[X]	4	4	GCC24CR @ 75 CD AUDIO & VISUAL	CEILING MOUNTED (MTD. 15" A.F.F. MAX)	GENTEX	
[X]	4	4	GCC24CR @ 95 CD AUDIO & VISUAL	CEILING MOUNTED (MTD. 15" A.F.F. MAX)	GENTEX	
[X]	18	18	ESL521B SMOKE DETECTOR	CEILING	ESL	
[X]	6	6	DH00ACDCLP SMOKE DUCT DETECTOR	SURFACE MOUNT	SYSTEM SENSOR	
[X]	3	3	MODEL 1 T FULL STATION	FLUSH WALL @ ENTRY 40" TO 48" A.F.F.	RSG	
	41	23	TOTAL NUMBER OF EQUIPMENT/DEVICES INSTALLED			

FIRE ALARM PLAN