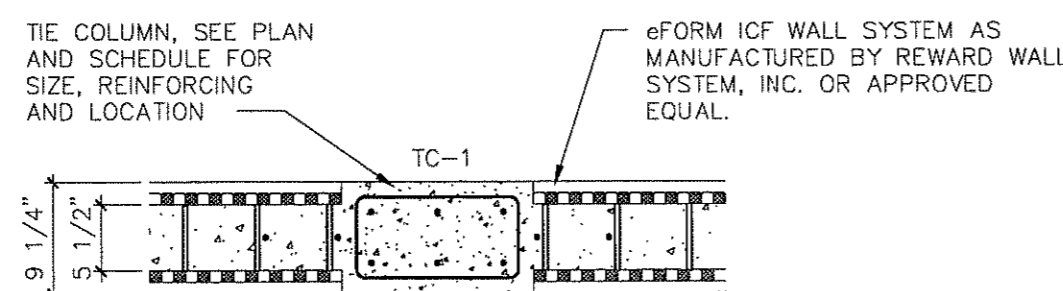
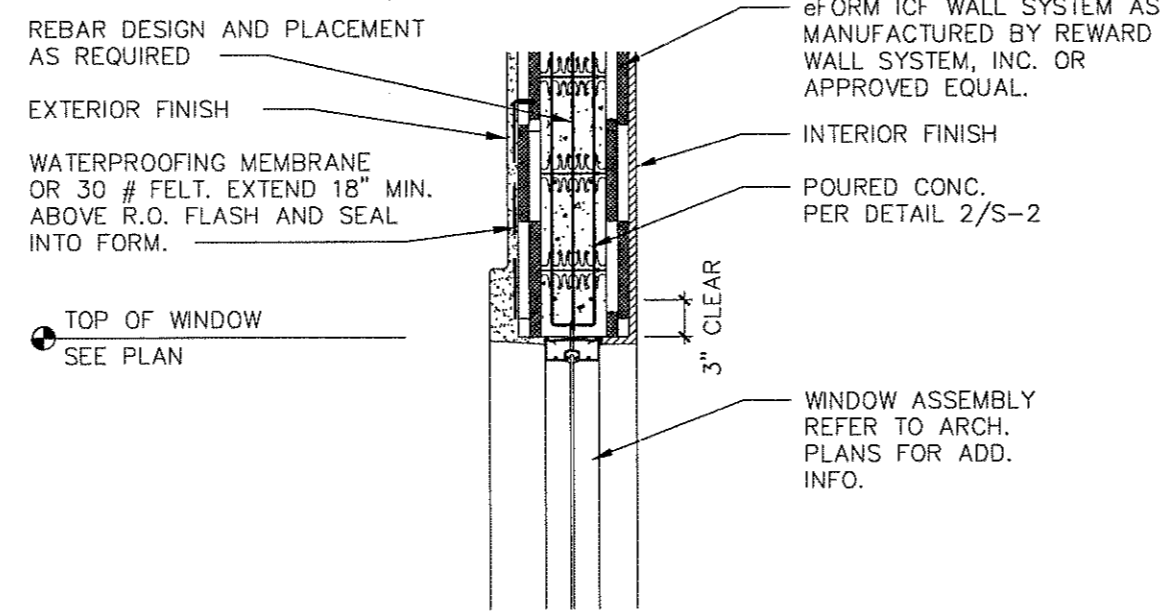


1 SECTION AT WBC  
SCALE: 3/4" = 1'-0"

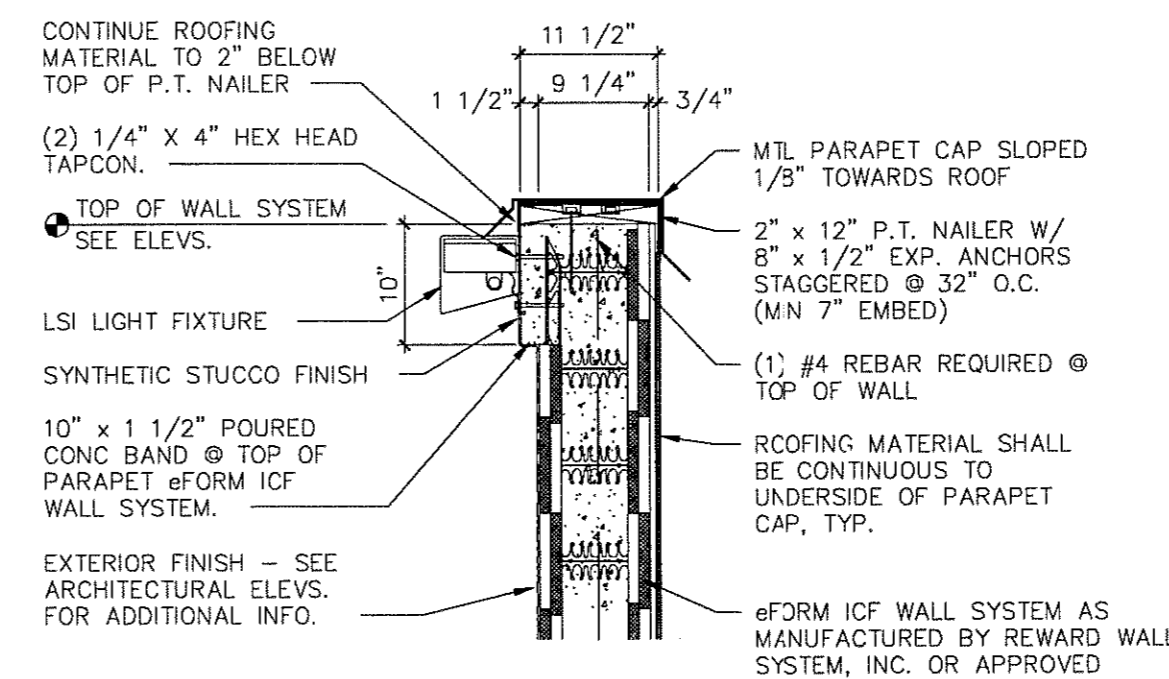
COLUMN SCHEDULE					
MARK	SIZE	REINFORCING	TIES	REMARKS	
X	Y	Z			
TC-1	9 1/4"	16"	(6) #5@ VERT.	#3@ 8"	POURED CONC. COL.



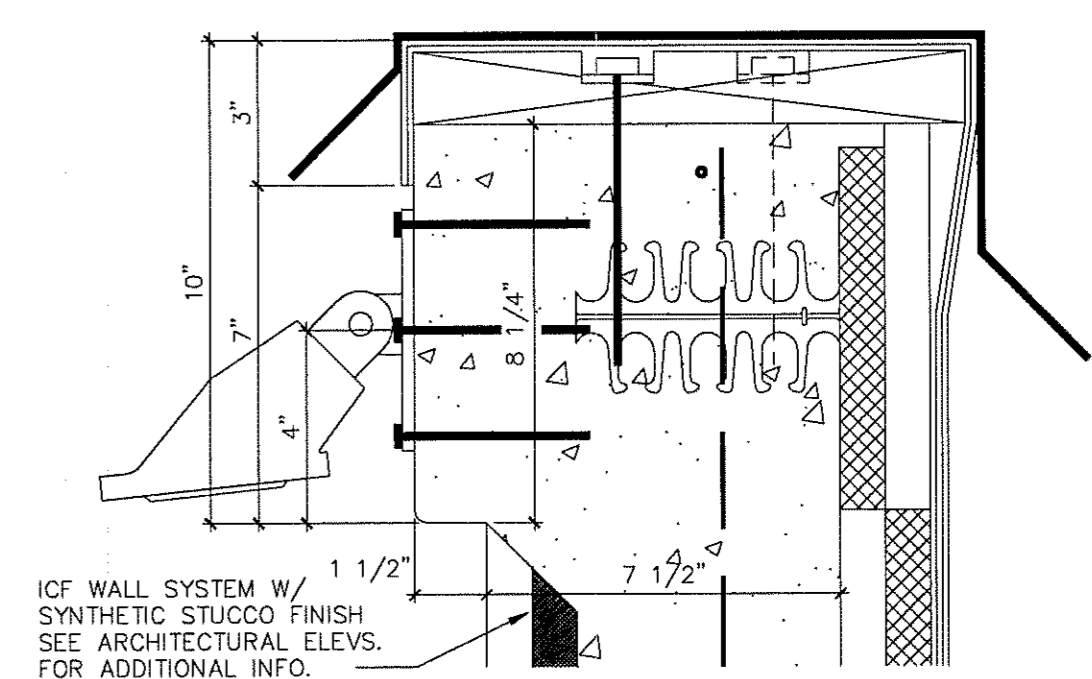
2 COLUMN DETAIL & SCHEDULE  
SCALE: 3/4" = 1'-0"



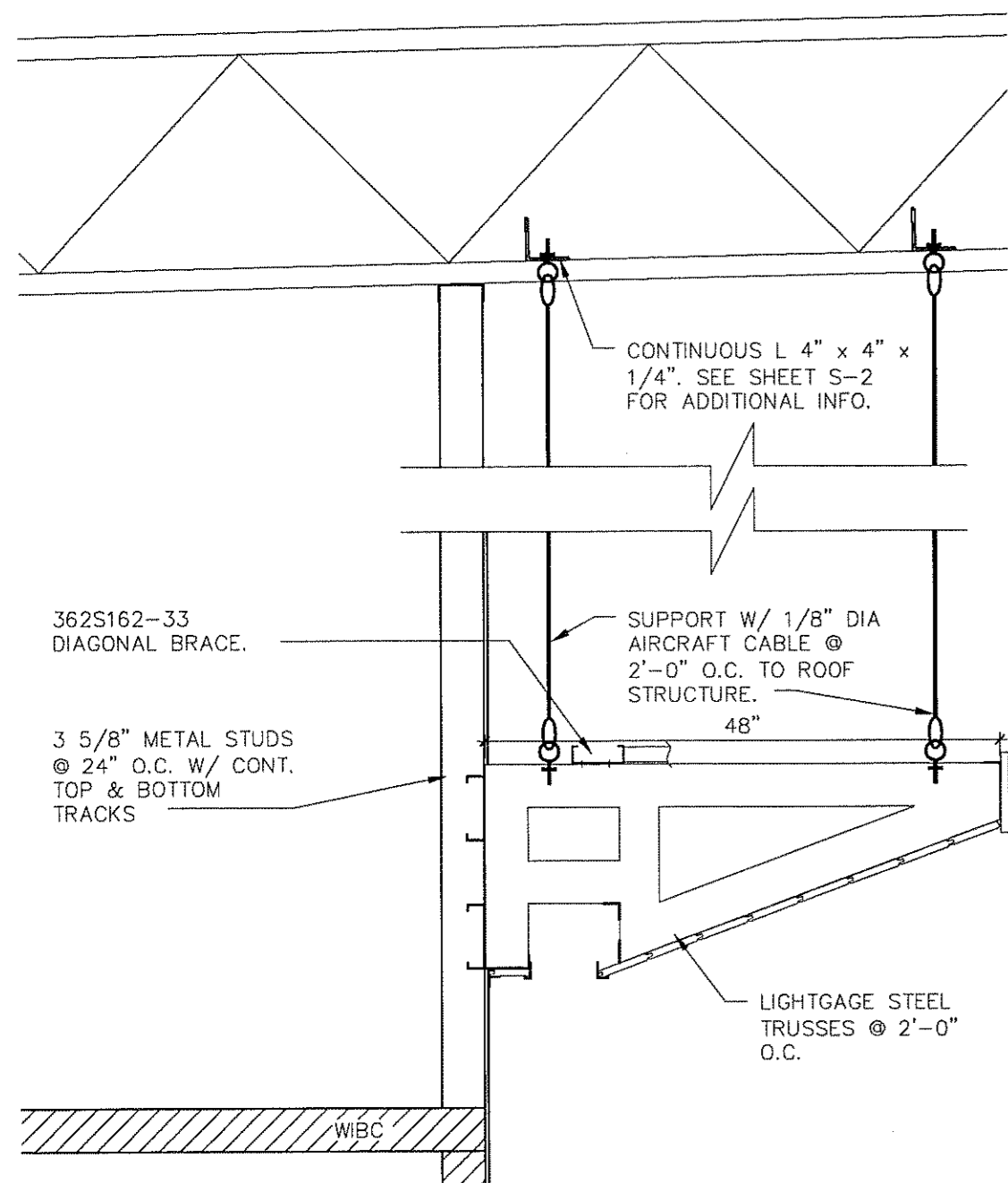
3 WINDOW HEADER DETAIL  
SCALE: 3/4" = 1'-0"



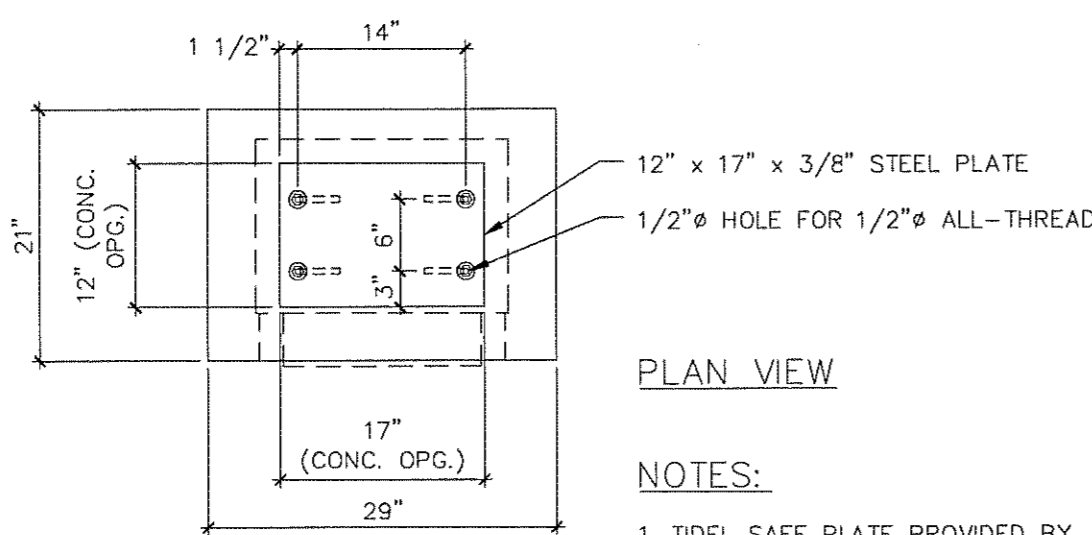
4 TOP OF PARAPET  
SCALE: 3/4" = 1'-0"



5 PARPET CONC BAND DETAIL  
SCALE: 3" = 1'-0"



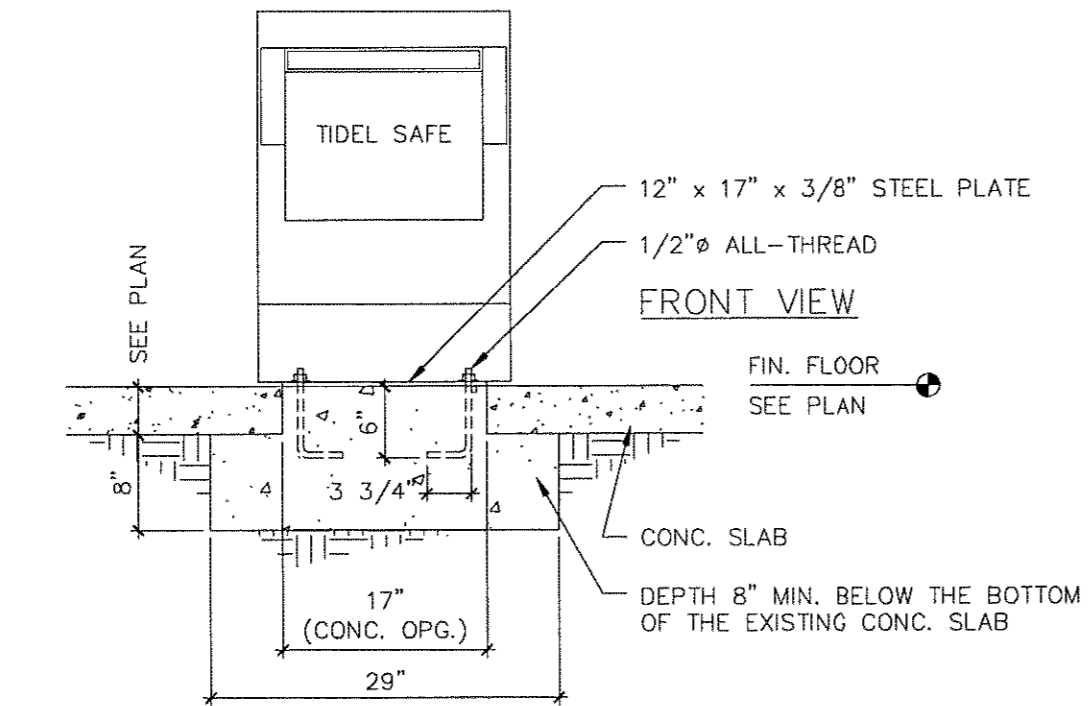
9 SECTION @ WBC  
SCALE: 3/4" = 1'-0"



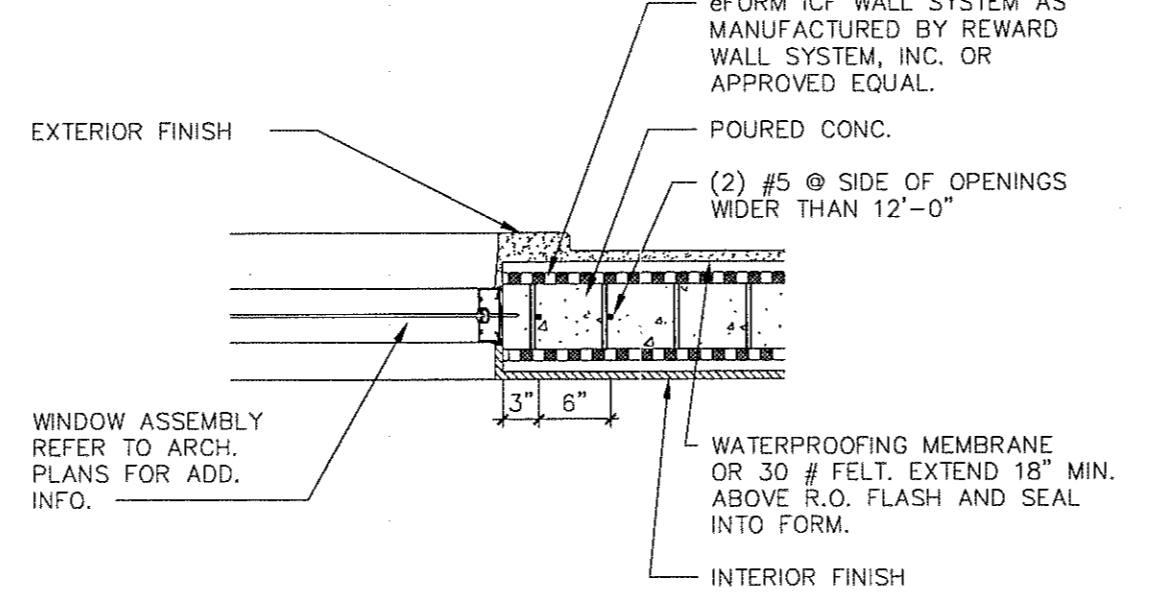
PLAN VIEW

NOTES:

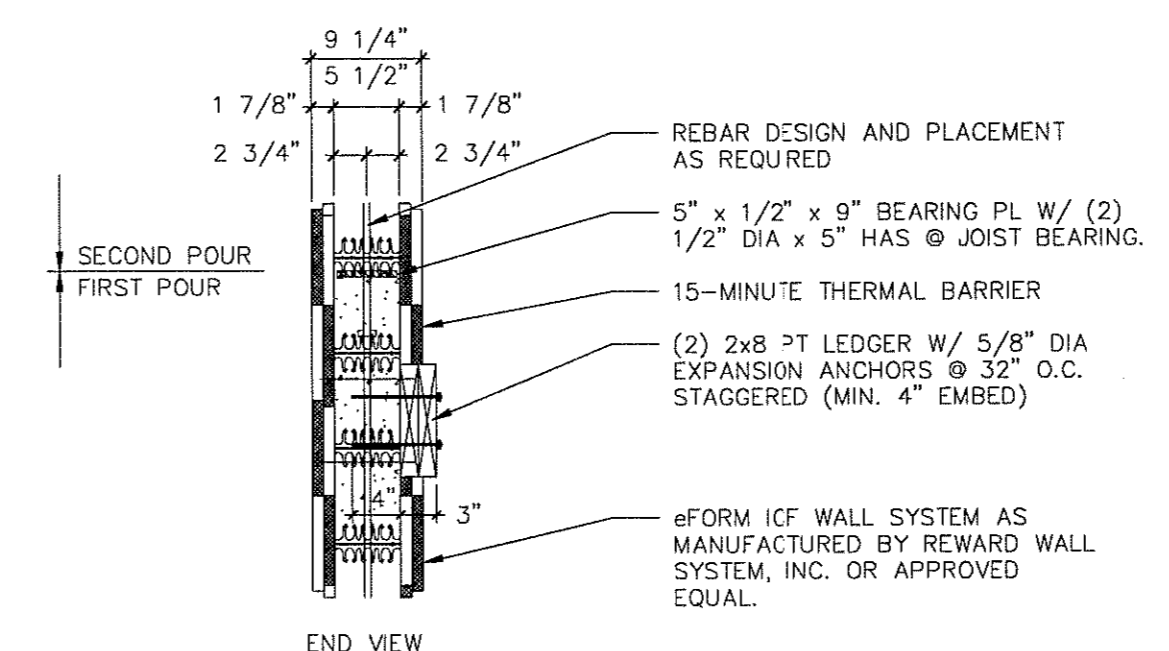
- TIDEL SAFE PLATE PROVIDED BY OWNER, INSTALLED BY CONT.
- CONC. OPENING DIMENSIONS IN CONC. SLAB = 17" x 9"
- CONC. HOLE DIMENSIONS UNDER CONC. SLAB = 29" x 21"



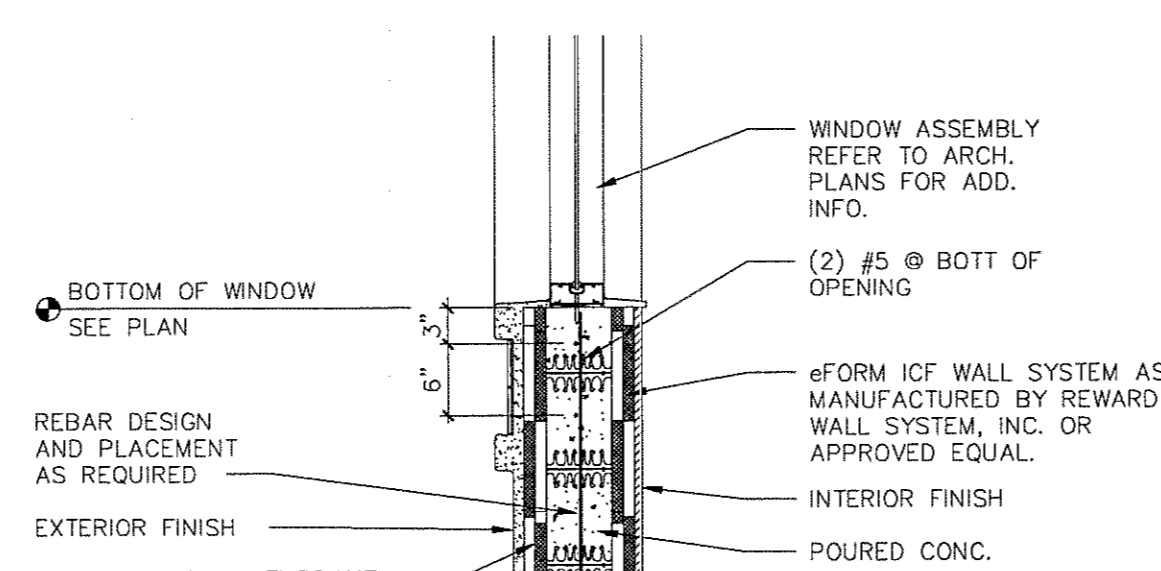
10 TIDEL SAFE DETAIL  
SCALE: 1/2" = 1'-0"



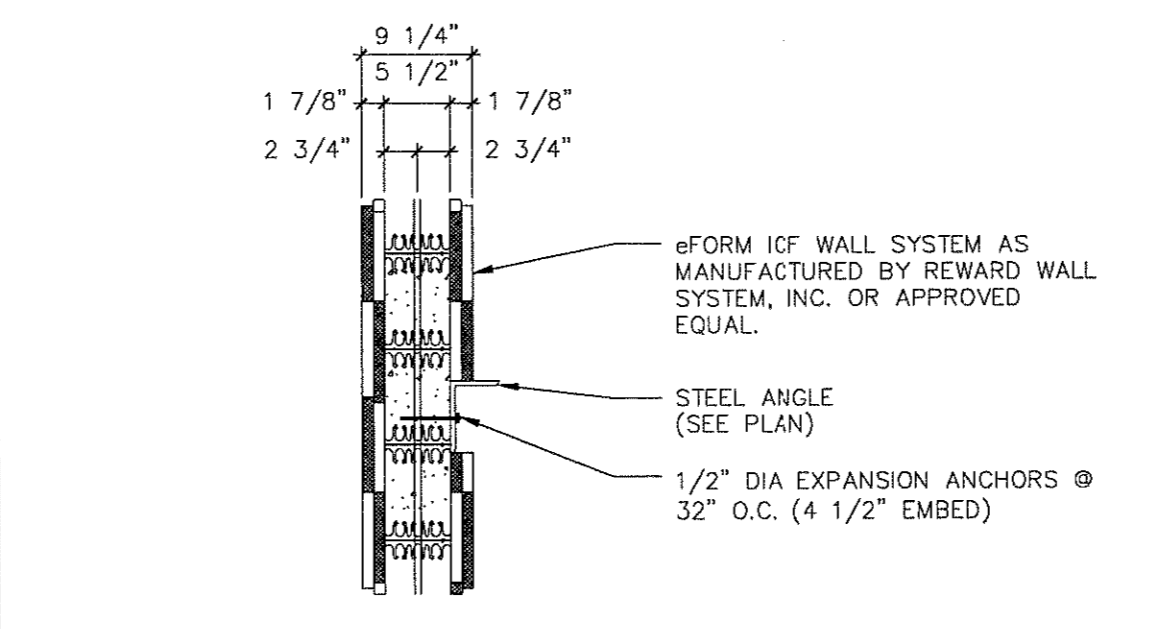
7 WINDOW JAMB DETAIL  
SCALE: 3/4" = 1'-0"



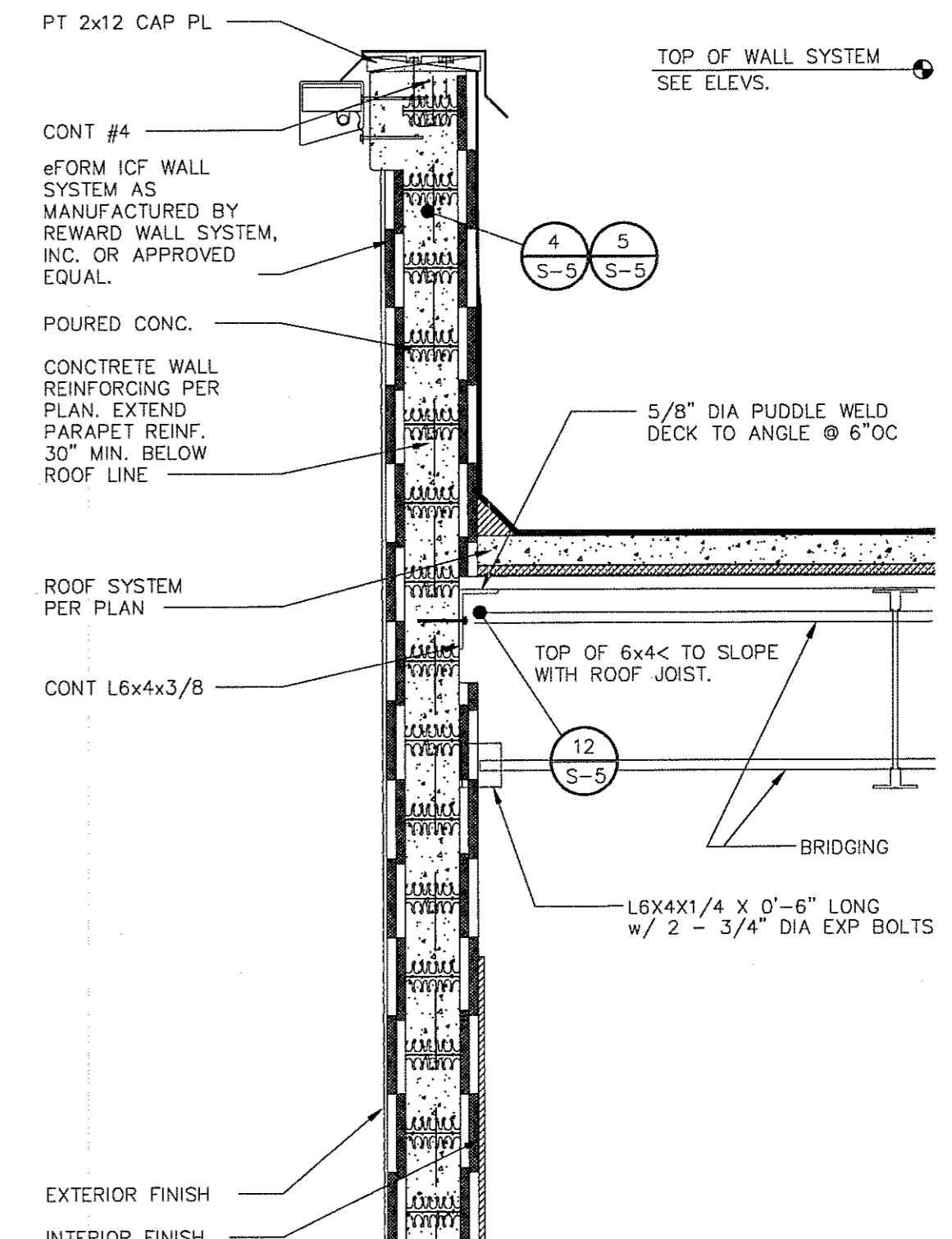
8 LEDGER BOARD  
SCALE: 3/4" = 1'-0"



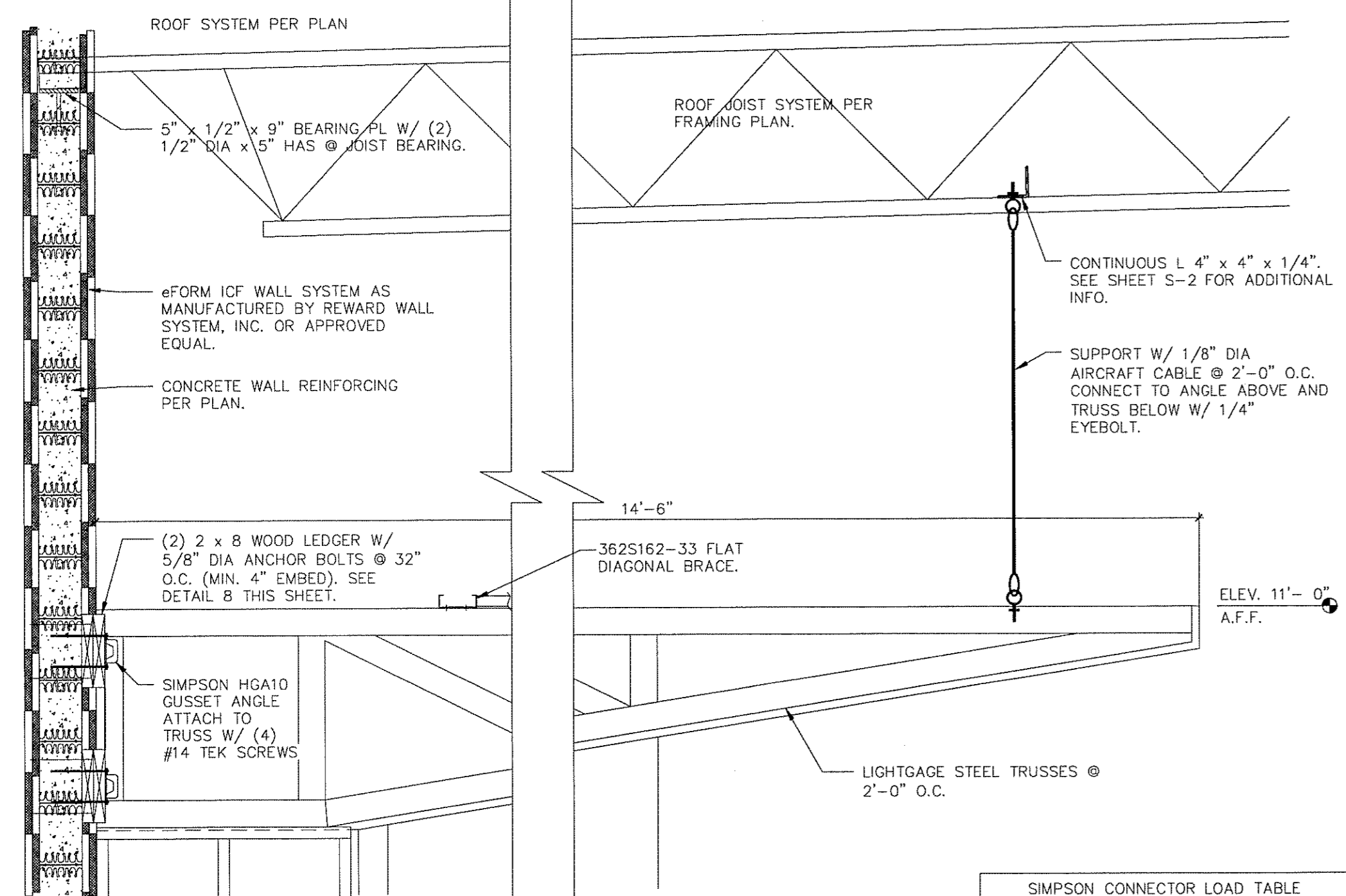
11 WINDOW SILL DETAIL  
SCALE: 3/4" = 1'-0"



12 STEEL ANGLE CONNECTION  
SCALE: 3/4" = 1'-0"



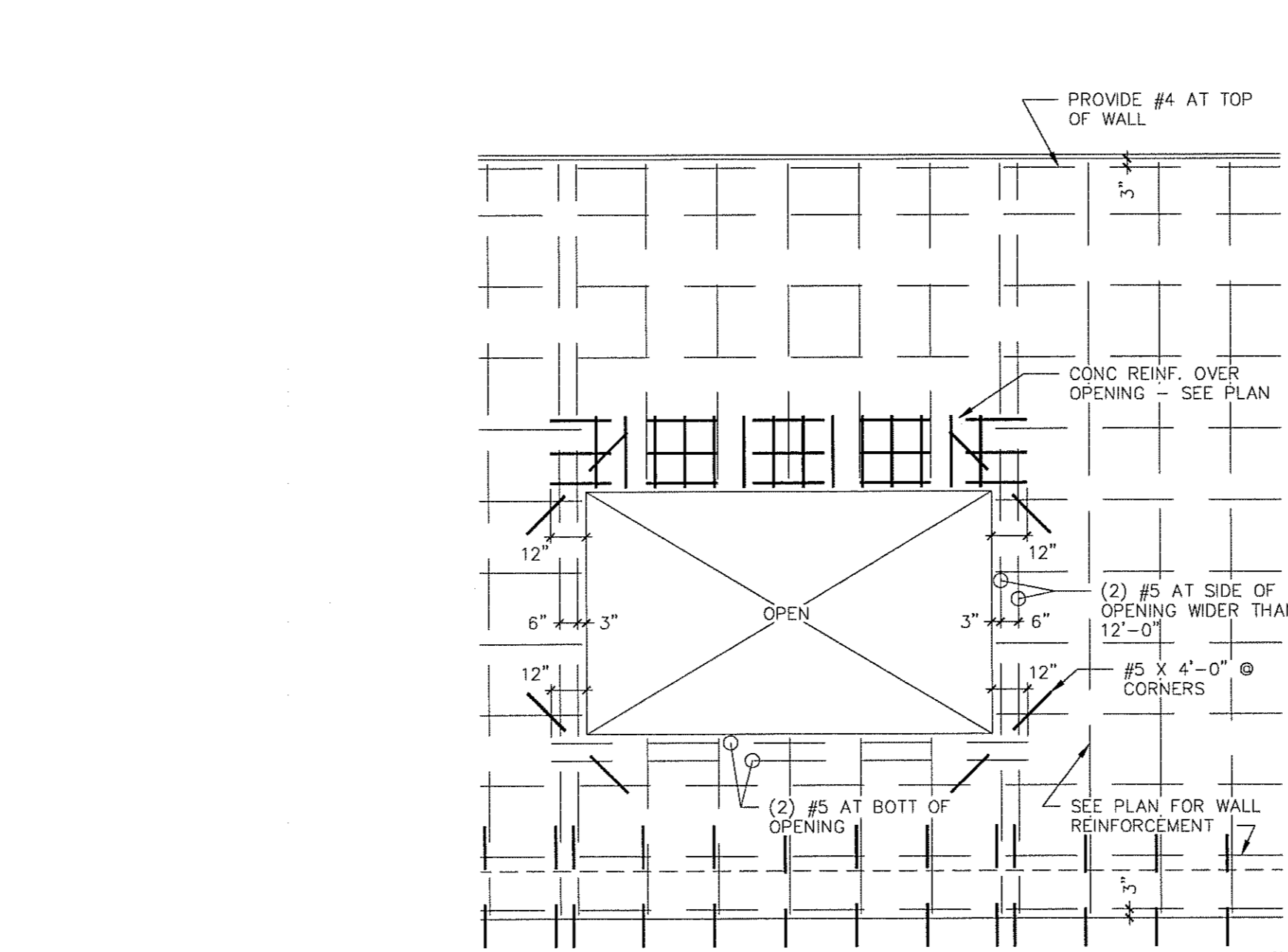
13 TOP WALL SECTION  
SCALE: 3/4" = 1'-0"



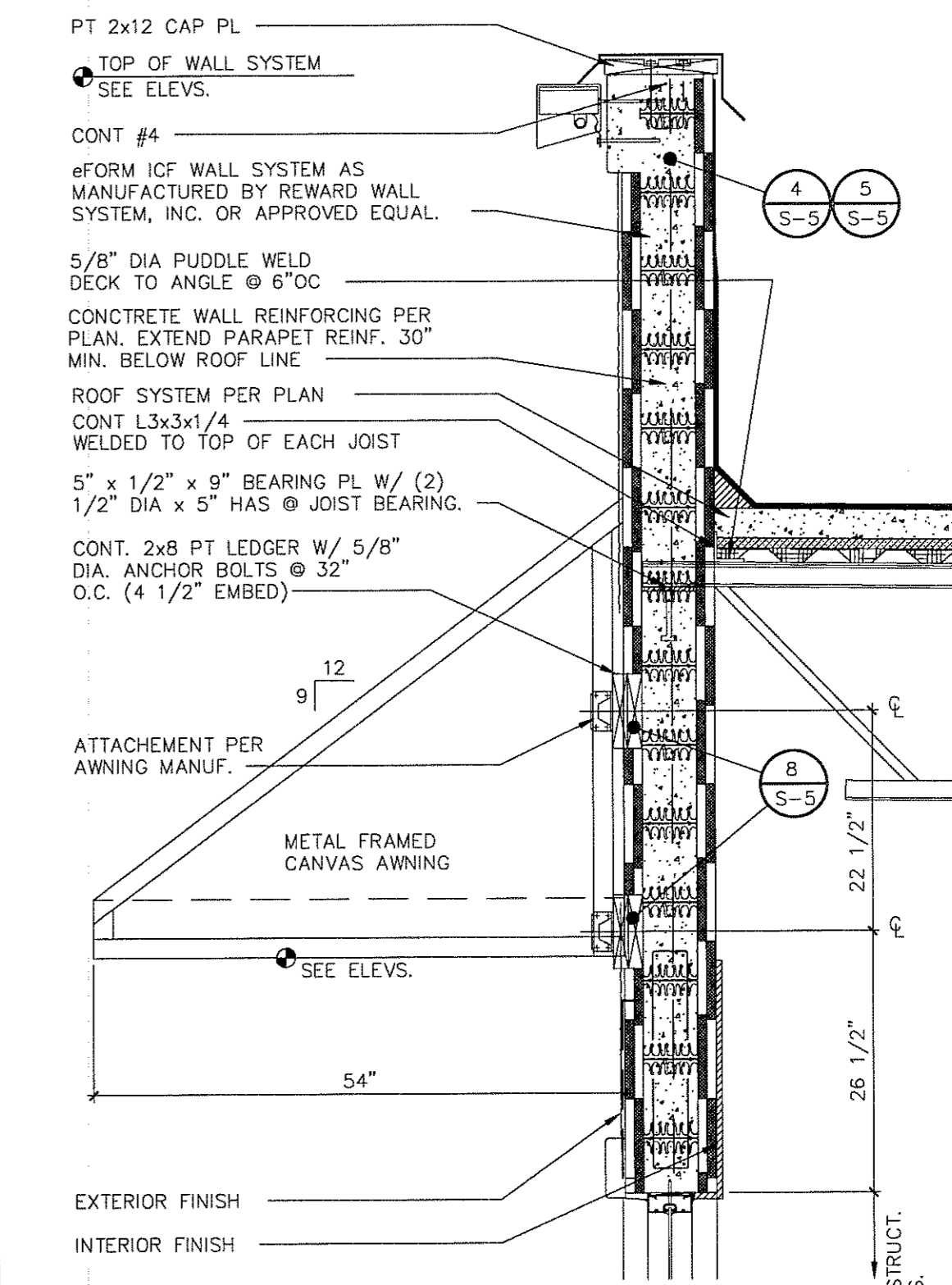
14 SECTION @ HUMIDOR / CHILLER  
SCALE: 3/4" = 1'-0"

SIM. AT P.O.S. (TOP OF P.O.S. MANSARD @ 13'-0" A.F.F.)

SIMPSON CONNECTOR LOAD TABLE			
CONNECTOR	UPLIFT	F1	F2
HGA10	695#	1165#	940#



15 TYP. CONC WALL OPENING DETAIL  
SCALE: 1/2" = 1'-0"



16 SECTION AT AWNING  
SCALE: 3/4" = 1'-0"

REVISIONS	BY

290 CITRUS TOWER BLVD. SUITE 200 CLEMONT, FLORIDA 34711  
**Lindemann Bentzon Bojack**  
 ENGINEERING, DESIGN INSPECTION & CONSTRUCTION  
 PHONE: (352) 242-0100 FAX: (352) 242-0302

**ABC LIQUORS, INC.**  
 8989 S. ORANGE AVE. - ORLANDO, FLA. 32809  
**ABC STORE NO. 43**  
 VERO BEACH CENTURY TOWN CENTER

STRUCTURAL DETAILS  
 DRAWN: M. MAISCO  
 CHECKED: S. RIVERA  
 DATE: 5-15-09  
 SCALE: AS NOTED  
 JOB No: 43  
 SHEET  
 S-5