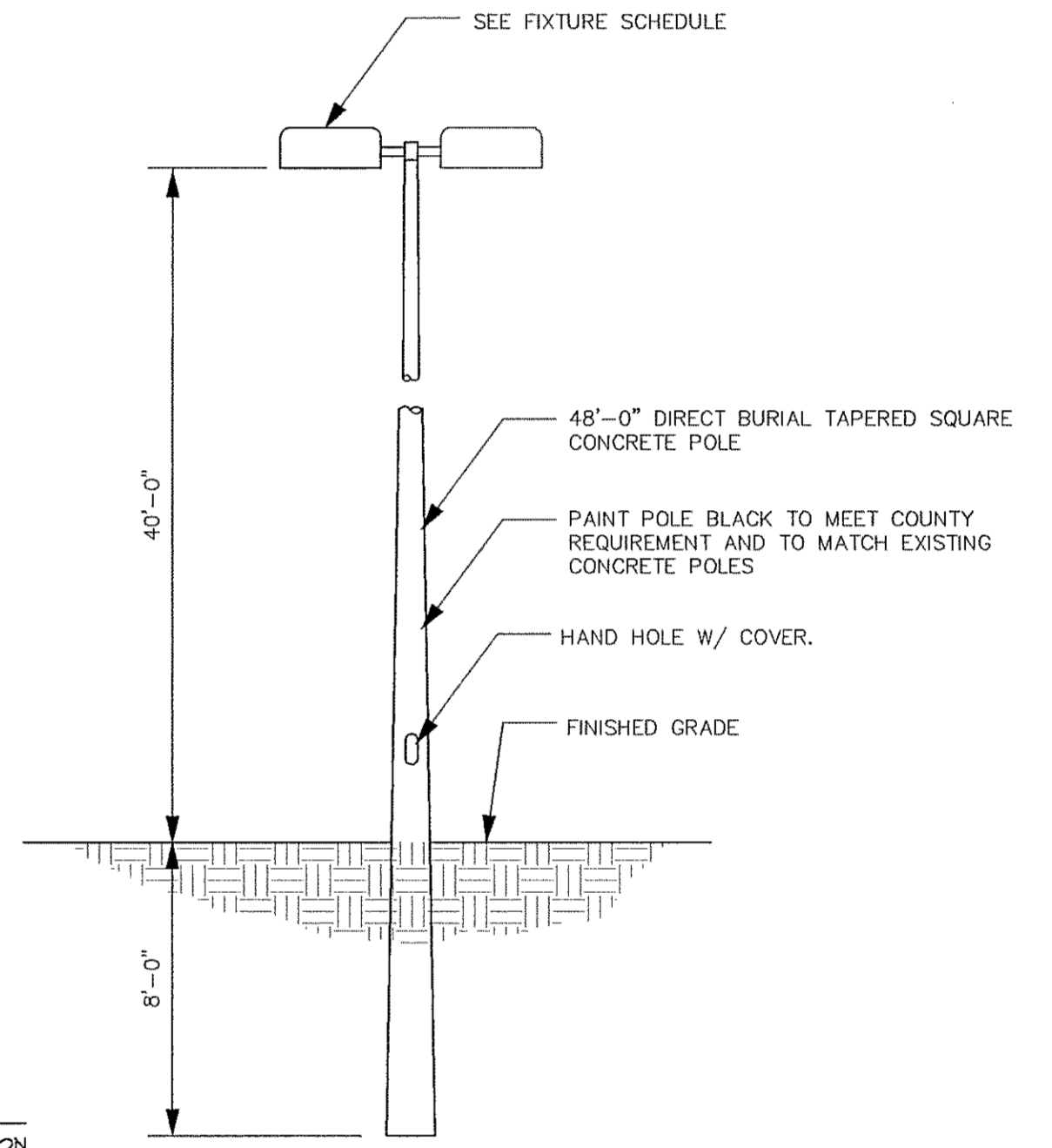


1 SITE LIGHTING PLAN  
SCALE: 1" = 20'-0"

LUMINAIRE SCHEDULE								
SYMBOL	LABEL	QTY	CATALOG NUMBER	DESCRIPTION	LAMP	LUMENS	LLF	NOTES
□	EXIST 400	1	KVS3 400M R3	ARM MNT SQUARE CUTOFF W/ANODIZED ALUMINUM REFL, CLEAR CONVEX GLASS.	ONE 400-WATT CLEAR BT-37 PULSE START METAL HALIDE, HORIZONTAL POSITION.	38000	0.81	EXISTING ALUMINUM LIGHT POLE LIGHT MOUNTED @ 30'-0" AFG
□	EXIST 1000	2	AME-4-T3-1000MH-VLFG	AMERICAN SIZE 4-T3-1000MH-FLAT GLASS-SPECULAR REFLECTOR LUMINAIRE SIZE 23" X 23" X 15"	1000MH VERTICAL BASE UP	110000	0.81	EXISTING 48'-0" PAINTED CONCRETE LIGHT POLE LIGHT MOUNTED @ 40'-0" AFG
◇	EXIST 1000 45'	2	AME-4-T3-1000MH-VLFG	AMERICAN SIZE 4-T3-1000MH-FLAT GLASS-SPECULAR REFLECTOR LUMINAIRE SIZE 23" X 23" X 15"	1000MH VERTICAL BASE UP	110000	0.81	EXISTING 48'-0" PAINTED CONCRETE LIGHT POLE LIGHT MOUNTED @ 40'-0" AFG
◇	NEW 1000 45'	1	AME-4-T3-1000MH-VLFG	AMERICAN SIZE 4-T3-1000MH-FLAT GLASS-SPECULAR REFLECTOR LUMINAIRE SIZE 23" X 23" X 15"	1000MH VERTICAL BASE UP	110000	0.81	NEW 48'-0" CONCRETE LIGHT POLE PAINTED TO MATCH EXISTING LIGHT POLES LIGHT MOUNTED @ 40'-0" AFG
○	SOFFIT L.E.D.	7	A2/B1-05	WITH WHITE TRIM AND RECESSED WHITE PLASTIC LENS	LEDS, LUMEN RATING = 648 LMS.	647	0.95	LIGHT MOUNTED @ 12'-0" AFG @ ENTRANCE SOFFIT
■	WALL 175	14	ASW1 175M SR2 HS (PROBE)	AERIS ARCHITECTURAL BUILDING MOUNTED LUMINAIRE, SR2 DISTRIBUTION WITH HOUSE SIDE SHIELD,	ONE 175-WATT CLEAR ED17 METAL HALIDE, HORIZONTAL POS.	12800	0.81	LIGHT MOUNTED @ 14'-0" AFG UNDER CANVAS CANOPY

NOTE:  
POLE WITH LIGHT FIXTURE SHALL COMPLY WITH 140 M.P.H. WIND LOAD REQUIREMENT



2 PARKING LOT POLE DETAIL  
SCALE: NONE 1 LOCATION

APPLICABLE LIGHTING CODES

SITE LIGHTING IS DESIGNED TO MEET THE INDIAN RIVER COUNTY SR60 CORRIDOR CRITERIA ALONG WITH THE FOLLOWING DEVELOPER REQUIREMENTS TO MAINTAIN CONTINUITY WITHIN THE DEVELOPMENT.

DEVELOPER REQUIREMENTS

NEW 48'-0" CONCRETE LIGHT POLE PAINTED TO MATCH EXISTING LIGHT POLES  
POLE LIGHT MOUNTED @ 30'-0" AFG (AME-4-T3-1000MH-VLFG)  
AMERICAN SIZE 4-T3-1000MH-FLAT GLASS SPECULAR REFLECTOR LUMINAIRE SIZE 23" X 23" X 15"

WALL LIGHT - AERIS ARCHITECTURAL BUILDING MOUNTED LUMINAIRE, SR2 DISTRIBUTION

IMPORTANT NOTE:  
LIGHT POLE, SITE LIGHTING AND WALL LIGHTING TO MATCH EXISTING DEVELOPMENT IN COLOR AND STYLE.

REVISIONS	BY
BUILDING DEPT REVISION 1-26-09	MCM

**ARTERBURY ARCHITECTS, INC.**  
AA26000718  
1009 MAITLAND CENTER COMMONS BLVD  
MAITLAND, FL. 32751  
TEL: (407) 774-2233  
FAX: (407) 774-7377

*Carolyn Arterbury*  
1-28-10

**ABC LIQUORS, INC.**  
8989 S. ORANGE AVE. - ORLANDO, FLA. 32809  
**ABC STORE NO. 43**  
VERO BEACH CENTURY TOWN CENTER

DRAWN:	M. MAISCO
CHECKED:	S. RIVERA
DATE:	5-15-09
SCALE:	AS NOTED
JOB No:	43
SHEET	

SL-1

SITE LIGHTING PLAN