

1 FOUNDATION PLAN
SCALE: 1/8" = 1'-0"

NOTE:
TOP OF FOOTING = -1'-4" U.N.O.

GENERAL STRUCT. / FOUNDATION NOTE'S:

DESIGN LOAD CRITERIA
DESIGN LOADS PER F.B.C. 2007 W/ 2004 AMENDMENTS
VERIFY LOCATION:
WIND LOADS PER F.B.C. 140 MPH REGION (3 SEC. GUST)
ROOF DEAD LOADS 25 PSF
ROOF LIVE LOADS (MANSARD) 30 PSF
ROOF LIVE LOADS 20 PSF
DEAD LOAD FOR UPLIFT CALCS 11 PSF
BUILDING IMPORTANCE FACTOR 1.0
INTERNAL PRESSURE COEFF 0.18
(TOTALLY ENCLOSED STRUCTURE)
BUILDING CATEGORY II
EXPOSURE B
COMPONENTS AND CLADDING SEE ELEVATIONS
BUILDING IS LOCATED IN AN WINDBORNE DEBRIS AREA
VERIFY ALL DIMENSIONS AND CONDITIONS AFFECTING THE WORK AT THE JOB SITE. DO NOT SCALE DRAWINGS.

1. FOR LOCATION OF EQUIPMENT, SEE MECHANICAL AND ELECTRICAL DRAWINGS.
2. CONTRACTOR SHALL VERIFY AND BE RESPONSIBLE FOR ALL DIMENSIONS AND CONDITIONS AT THE JOB SITE AND SHALL NOTIFY THE ARCHITECT OR ENGINEER OF ANY DISCREPANCIES BETWEEN THE ACTUAL CONDITIONS AND INFORMATION SHOWN ON THE DRAWINGS BEFORE PROCEEDING W/ THE WORK.
3. CONTRACTOR SHALL IMMEDIATELY NOTIFY THE ARCHITECT OR ENGINEER OF ANY CONDITIONS WHICH IN HIS OPINION MIGHT ENDANGER THE STABILITY OF STRUCTURE OR CAUSE DISTRESS OF STRUCTURE.
4. ALL CONSTRUCTION SHALL BE BRACED AND SHORED AS REQUIRED BY CONTRACTOR TO SAFELY PERFORM THE WORK.

SOIL CONDITION AND FOUNDATION
1. ALL UNSUITABLE MATERIAL SUCH AS ORGANICS SHALL BE REMOVED PRIOR TO BACKFILLING AND COMPACTION OPERATIONS.
2. SUBSOIL BELOW FOOTING AND FLOOR SLABS SHALL BE COMPACTED WITH A WALK BEHIND VIBRATORY COMPACTOR BEFORE CONCRETE IS PLACED.
3. COMPACTION OF THE SUBGRADE AND FILL MATERIALS SHALL ACHIEVE 95 PERCENT DENSITY ACCORDING TO MODIFIED PROCTOR, ASTM D 1557. THIS COMPACTION SHALL BE CERTIFIED BY AN INDEPENDANT SOILS LABORATORY BY REPORT TO THE ENGINEER.
4. FOUNDATION IS DESIGNED BASED ON AN ALLOWABLE SOIL BEARING PRESSURE OF 2500 PSF ALONG W/ FINDINGS AND RECOMMENDATIONS IN SOILS REPORT BY ARDAMANN AND ASSOCIATES, INC. DATED JUNE 4, 2004.
5. EXCAVATIONS SHALL BE WATERED AS REQUIRED TO ENABLE CONSTRUCTION TO BE CARRIED OUT UNDER RELATIVELY DRY CONDITIONS.
6. CONTRACTOR SHALL PROVIDE SOIL TREATMENT AS REQUIRED BY THE F.B.C. 2007, USING THE PRODUCT "DEMON TO" OR EQUAL. THE APPLICATION OF THE CHEMICAL SHALL BE STRICTLY "DICTATED" BY THE MANUFACTURERS INSTRUCTIONS.

CAST-IN-PLACE CONCRETE
TO BE MIXED AND PLACED IN ACCORDANCE WITH ACI 301-05. ALL CONCRETE SHALL USE AN APPROVED MIX DESIGN AND HAVE A 28 DAY COMPRESSIVE STRENGTH OF FC=3000 PSI UNLESS NOTED OTHERWISE ON THE DRAWINGS.
SUBMIT PROPOSED MIX DESIGN(S) WITH RECENT FIELD CYLINDER OR LAB TESTS FOR REVIEW AT LEAST 15 DAYS PRIOR TO USE. DO NOT BEGIN CONCRETE PRODUCTION UNTIL MIXES) HAVE BEEN APPROVED. BACK-UP DATA SHALL MEET THE REQUIREMENTS OF ACI 318-05 CHAPTER 5. ALL MIX DESIGNS SHALL BE UNIQELY IDENTIFIED AND INCLUDE A WRITTEN DESCRIPTION INDICATING WHERE EACH MIX IS TO BE PLACED IN THE STRUCTURE.
CONCRETE SHALL COMPLY WITH ASTM C94 FOR MEASURING, MIXING, AND TRANSPORTING. NO ADDITIONAL WATER SHALL BE ADDED TO THE MIX UNLESS APPROVED BY THE CONCRETE SUPPLIER. ADDITION OF WATER IF PERMITTED SHALL BE DONE ONE TIME ONLY AND THEN MIXED FOR AN ADDITIONAL 30 REVOLUTIONS.
CONCRETE MIX TO BE PLACED WITHIN ICF WALL SYSTEM TO HAVE MINIMUM SLUMP OF 6 1/2" AND MAXIMUM AGGREGATE OF 1/2" DIAMETER.

CONCRETE REINFORCEMENT
WORK SHALL BE IN ACCORD WITH ACI 318-05, ACI 318R-05, ACI 315-05, ACI 315R-05, CRSI "MANUAL OF STANDARD PRACTICE" 2TH EDITION, CRSI "PLACING REINFORCING BARS" 9TH EDITION, AND "MANUAL OF STD. PRACTICE", 8TH EDITION. BARS SHALL CONFORM TO ASTM SPEC. A616(S1), GRADE 60.
WELDED WIRE FABRIC SHALL CONFORM TO ASTM A185. PROVIDE CONC. COVER AS FOLLOWS:
A CAST AGAINST AND EXPOSED TO EARTH 3"
B FORMED, EXPOSED TO EARTH OR WEATHER #6 AND LARGER 2"
#5 AND SMALLER 1-1/2"
C NO EARTH OR WEATHER EXPOSURE SLABS AND WALLS 3/4"
COLUMNS AND BEAMS - TIES OR STIRRUPS 1-1/2"
LAP SPLICE LENGTHS SHALL BE AS FOLLOWS:
ALL LAP SPLICES SHALL BE TENSION CLASS "B" UNLESS NOTED OTHERWISE
2 SPLICE LENGTHS SHALL BE SHOWN ON SHOP DRAWINGS.
3 USE GENERAL HOOK BAR DEVELOPMENT LENGTHS.

SHOP DRAWINGS
THE CONTRACTOR SHALL REVIEW ALL SHOP DRAWINGS PRIOR TO SUBMITTAL TO THE ARCHITECT / ENGINEER. SHOP DRAWINGS SUBMITTED THAT HAVE NOT REVIEWED BY THE CONTRACTOR WILL BE RETURNED WITHOUT REVIEW. PROVIDE ONE (1) REPRODUCIBLE AND TWO (2) COPIES FOR MARK-UP.
SHOP DRAWING SUBMITTALS ARE REQUIRED FOR THE FOLLOWING:
A CONCRETE MIX DESIGN
B CONCRETE REINFORCING
C STRUCTURAL STEEL
D OPEN WEB STEEL JOISTS
E WOOD TRUSSES

IMPORTANT NOTES:

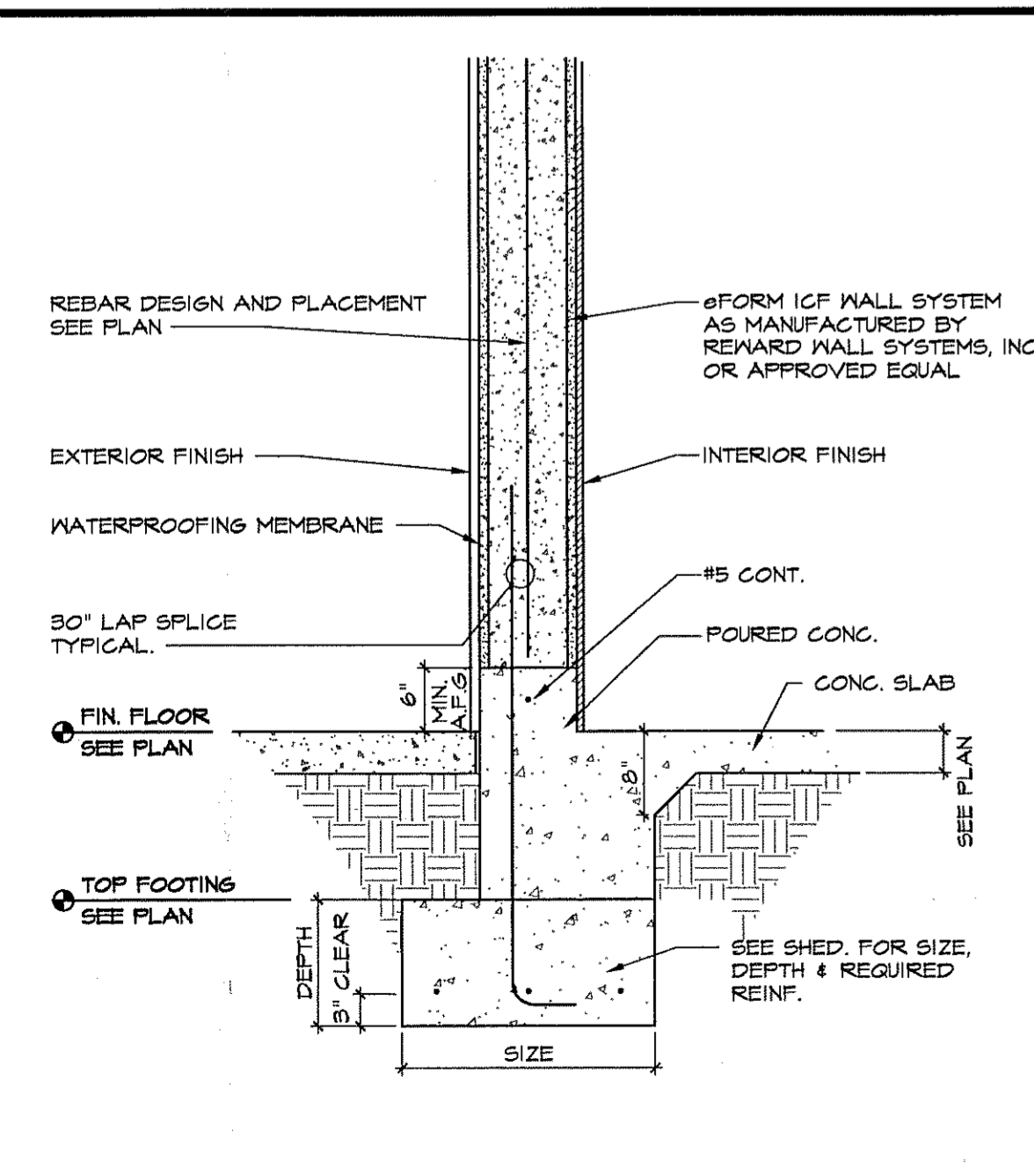
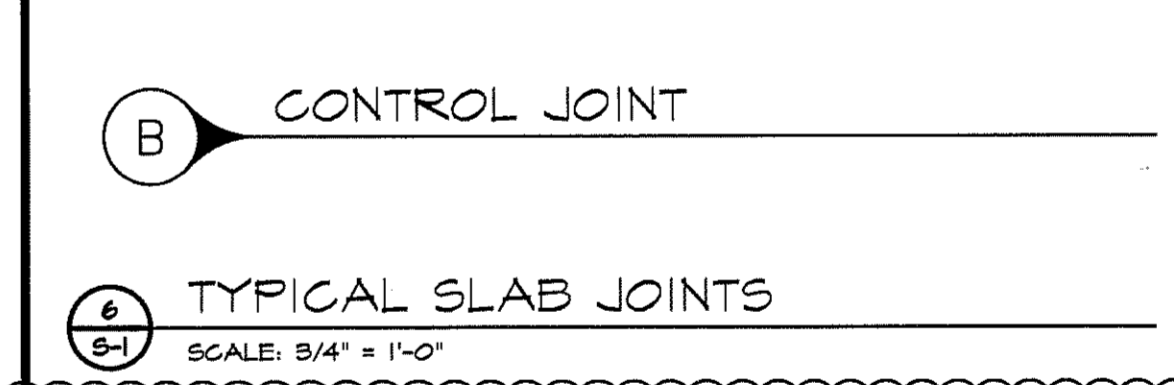
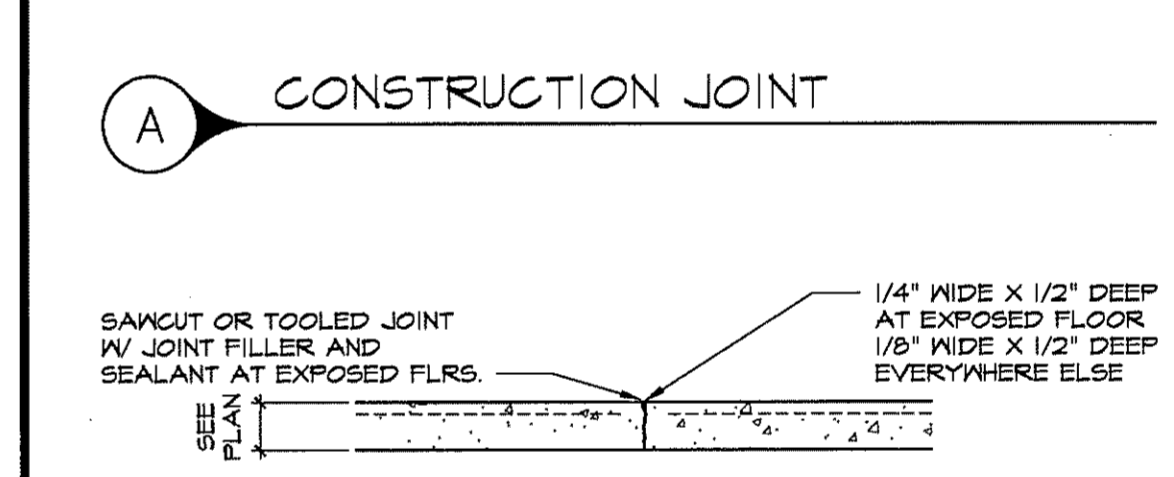
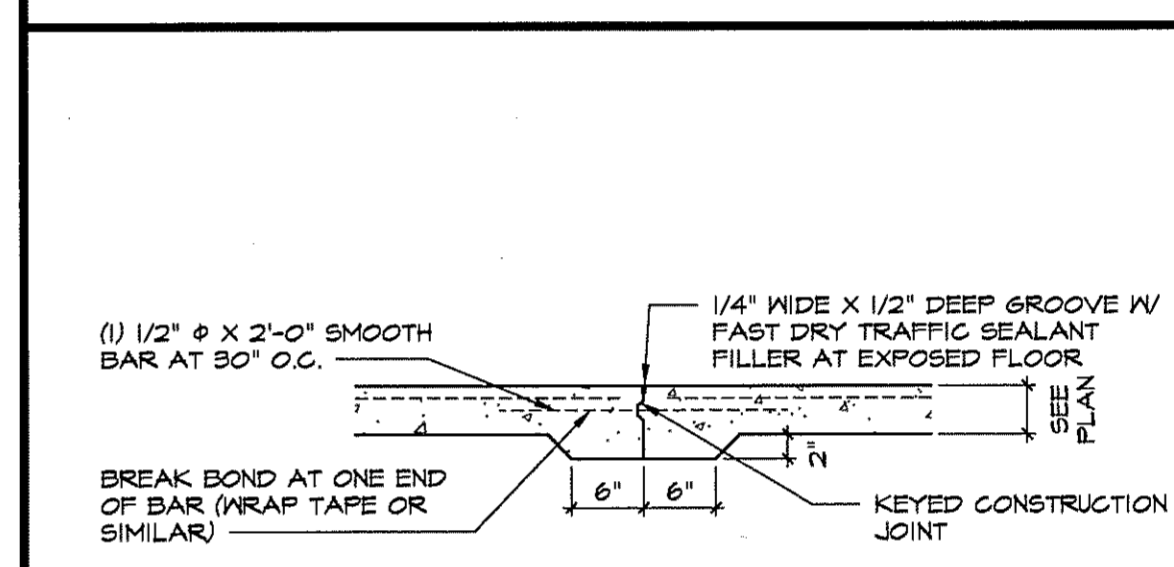
- TOP OF FTG. EL. -1'-4" UNLESS NOTED (-X")
 - ALL F.I.P. CONC. COL. TO BE 1/4" x 16 U.N.O. (SEE TC-1)
 - ALL EXTERIOR WALLS (LESS OPENINGS) ARE CONSIDERED SHEAR WALLS.
- STRUCTURAL KEY NOTES:**
- 4" CONCRETE SLAB OVER TERMITE TREATED CLEAN COMPACTED FILL ON 6 MIL VAPOR BARRIER REINFORCED W/ 6 x 6 - W1.4 x W1.4 W.W.F. LAPPED 6" (MIN) IN TOP 1/3 OF SLAB PROVIDE SAW CUT CONTROL JOINTS IN SLAB IN AREAS NOT TO EXCEED 400 SQ. FT.
 - OUTLINE OF W.I.B.C. CONTRACTOR SHALL COORDINATE W/ MANUF. SHOP DWGS.
 - INSULATED W.I.B.C. FLOOR SLAB, SEE DETAIL 1 SHEET S-5.
 - 5 1/2" CONCRETE WALL REINF. W/ #5 @ 18" O.C. VERT (#5 @ 12" O.C. VERT AT PARAFET) AND #4 @ 32" O.C. HORIZ. (TYP)
 - 5 1/2" CONCRETE WALL REINF. W/ #5 @ 18" O.C. VERT (#5 @ 16" O.C. VERT AT PARAFET) AND #4 @ 32" O.C. HORIZ. (TYP)

FOOTING SCHEDULE

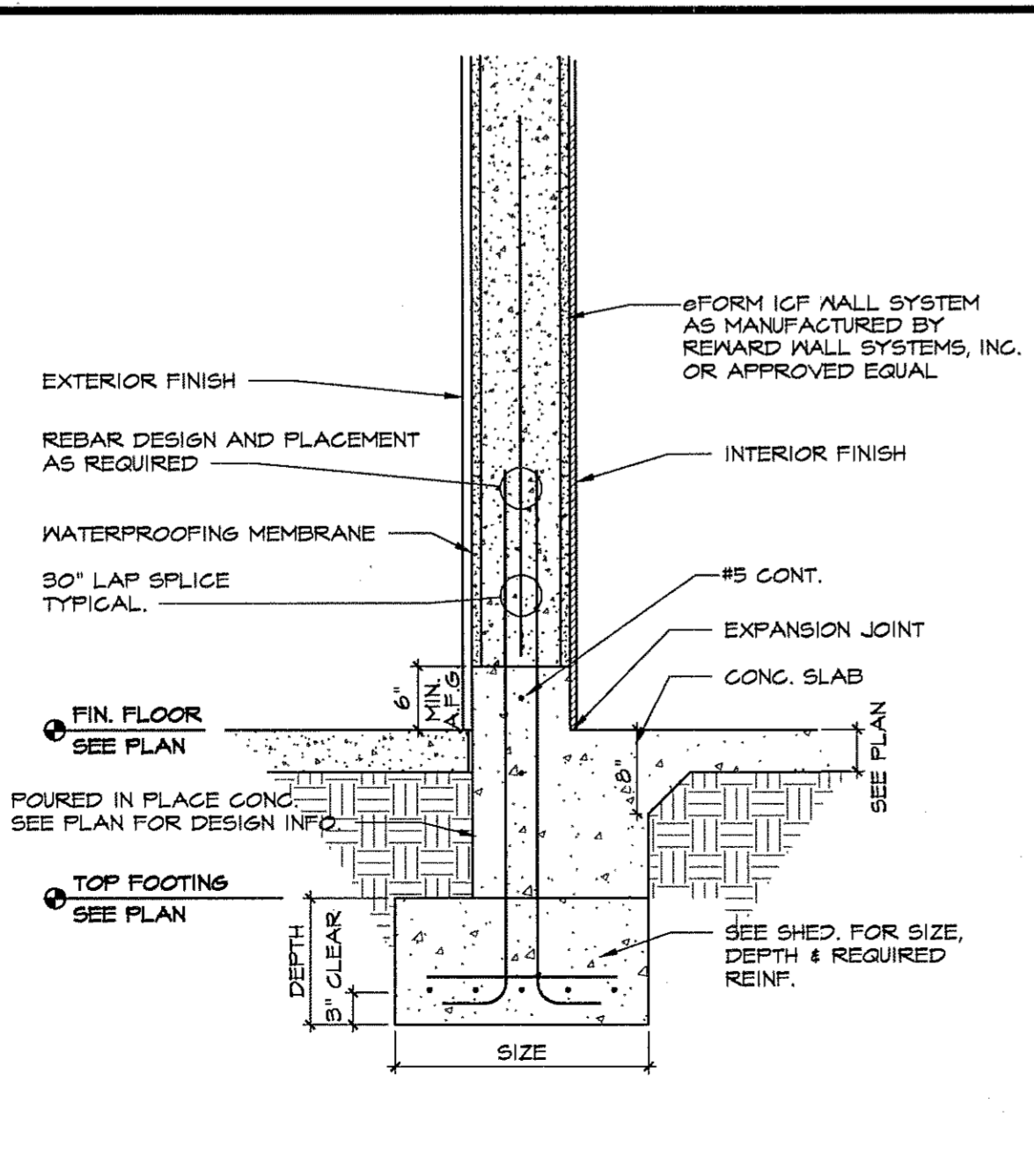
FOUNDATION DESIGN BASED ON 2500 P.S.F. ALLOWABLE BEARING PRESSURE VERIFY IN FIELD.

MARK	TYPE	SIZE	DEPTH	REINFORCEMENT
F-1	CONTINUOUS	1'-0" WIDE	16"	#5 @ 12" O.C.
F-2	CONTINUOUS	1'-0" WIDE	16"	#5 @ 12" O.C.
F-3	CONTINUOUS	1'-0" WIDE	16"	#5 @ 12" O.C.
F-4	CONTINUOUS	1'-0" WIDE	16"	#5 @ 12" O.C.
F-5	CONTINUOUS	1'-0" WIDE	16"	#5 @ 12" O.C.
F-6	CONTINUOUS	1'-0" WIDE	16"	#5 @ 12" O.C.
F-7	CONTINUOUS	1'-0" WIDE	16"	#5 @ 12" O.C.
F-8	CONTINUOUS	1'-0" WIDE	16"	#5 @ 12" O.C.
F-9	CONTINUOUS	1'-0" WIDE	16"	#5 @ 12" O.C.
F-10	CONTINUOUS	1'-0" WIDE	16"	#5 @ 12" O.C.
F-11	CONTINUOUS	1'-0" WIDE	16"	#5 @ 12" O.C.
F-12	CONTINUOUS	1'-0" WIDE	16"	#5 @ 12" O.C.
F-13	CONTINUOUS	1'-0" WIDE	16"	#5 @ 12" O.C.
F-14	CONTINUOUS	1'-0" WIDE	16"	#5 @ 12" O.C.
F-15	CONTINUOUS	1'-0" WIDE	16"	#5 @ 12" O.C.
F-16	CONTINUOUS	1'-0" WIDE	16"	#5 @ 12" O.C.
F-17	CONTINUOUS	1'-0" WIDE	16"	#5 @ 12" O.C.
F-18	CONTINUOUS	1'-0" WIDE	16"	#5 @ 12" O.C.
F-19	CONTINUOUS	1'-0" WIDE	16"	#5 @ 12" O.C.
F-20	CONTINUOUS	1'-0" WIDE	16"	#5 @ 12" O.C.
F-21	CONTINUOUS	1'-0" WIDE	16"	#5 @ 12" O.C.
F-22	CONTINUOUS	1'-0" WIDE	16"	#5 @ 12" O.C.
F-23	CONTINUOUS	1'-0" WIDE	16"	#5 @ 12" O.C.
F-24	CONTINUOUS	1'-0" WIDE	16"	#5 @ 12" O.C.
F-25	CONTINUOUS	1'-0" WIDE	16"	#5 @ 12" O.C.
F-26	CONTINUOUS	1'-0" WIDE	16"	#5 @ 12" O.C.
F-27	CONTINUOUS	1'-0" WIDE	16"	#5 @ 12" O.C.
F-28	CONTINUOUS	1'-0" WIDE	16"	#5 @ 12" O.C.
F-29	CONTINUOUS	1'-0" WIDE	16"	#5 @ 12" O.C.
F-30	CONTINUOUS	1'-0" WIDE	16"	#5 @ 12" O.C.
F-31	CONTINUOUS	1'-0" WIDE	16"	#5 @ 12" O.C.
F-32	CONTINUOUS	1'-0" WIDE	16"	#5 @ 12" O.C.
F-33	CONTINUOUS	1'-0" WIDE	16"	#5 @ 12" O.C.
F-34	CONTINUOUS	1'-0" WIDE	16"	#5 @ 12" O.C.
F-35	CONTINUOUS	1'-0" WIDE	16"	#5 @ 12" O.C.
F-36	CONTINUOUS	1'-0" WIDE	16"	#5 @ 12" O.C.
F-37	CONTINUOUS	1'-0" WIDE	16"	#5 @ 12" O.C.
F-38	CONTINUOUS	1'-0" WIDE	16"	#5 @ 12" O.C.
F-39	CONTINUOUS	1'-0" WIDE	16"	#5 @ 12" O.C.
F-40	CONTINUOUS	1'-0" WIDE	16"	#5 @ 12" O.C.
F-41	CONTINUOUS	1'-0" WIDE	16"	#5 @ 12" O.C.
F-42	CONTINUOUS	1'-0" WIDE	16"	#5 @ 12" O.C.
F-43	CONTINUOUS	1'-0" WIDE	16"	#5 @ 12" O.C.
F-44	CONTINUOUS	1'-0" WIDE	16"	#5 @ 12" O.C.
F-45	CONTINUOUS	1'-0" WIDE	16"	#5 @ 12" O.C.
F-46	CONTINUOUS	1'-0" WIDE	16"	#5 @ 12" O.C.
F-47	CONTINUOUS	1'-0" WIDE	16"	#5 @ 12" O.C.
F-48	CONTINUOUS	1'-0" WIDE	16"	#5 @ 12" O.C.
F-49	CONTINUOUS	1'-0" WIDE	16"	#5 @ 12" O.C.
F-50	CONTINUOUS	1'-0" WIDE	16"	#5 @ 12" O.C.
F-51	CONTINUOUS	1'-0" WIDE	16"	#5 @ 12" O.C.
F-52	CONTINUOUS	1'-0" WIDE	16"	#5 @ 12" O.C.
F-53	CONTINUOUS	1'-0" WIDE	16"	#5 @ 12" O.C.
F-54	CONTINUOUS	1'-0" WIDE	16"	#5 @ 12" O.C.
F-55	CONTINUOUS	1'-0" WIDE	16"	#5 @ 12" O.C.
F-56	CONTINUOUS	1'-0" WIDE	16"	#5 @ 12" O.C.
F-57	CONTINUOUS	1'-0" WIDE	16"	#5 @ 12" O.C.
F-58	CONTINUOUS	1'-0" WIDE	16"	#5 @ 12" O.C.
F-59	CONTINUOUS	1'-0" WIDE	16"	#5 @ 12" O.C.
F-60	CONTINUOUS	1'-0" WIDE	16"	#5 @ 12" O.C.
F-61	CONTINUOUS	1'-0" WIDE	16"	#5 @ 12" O.C.
F-62	CONTINUOUS	1'-0" WIDE	16"	#5 @ 12" O.C.
F-63	CONTINUOUS	1'-0" WIDE	16"	#5 @ 12" O.C.
F-64	CONTINUOUS	1'-0" WIDE	16"	#5 @ 12" O.C.
F-65	CONTINUOUS	1'-0" WIDE	16"	#5 @ 12" O.C.
F-66	CONTINUOUS	1'-0" WIDE	16"	#5 @ 12" O.C.
F-67	CONTINUOUS	1'-0" WIDE	16"	#5 @ 12" O.C.
F-68	CONTINUOUS	1'-0" WIDE	16"	#5 @ 12" O.C.
F-69	CONTINUOUS	1'-0" WIDE	16"	#5 @ 12" O.C.
F-70	CONTINUOUS	1'-0" WIDE	16"	#5 @ 12" O.C.
F-71	CONTINUOUS	1'-0" WIDE	16"	#5 @ 12" O.C.
F-72	CONTINUOUS	1'-0" WIDE	16"	#5 @ 12" O.C.
F-73	CONTINUOUS	1'-0" WIDE	16"	#5 @ 12" O.C.
F-74	CONTINUOUS	1'-0" WIDE	16"	#5 @ 12" O.C.
F-75	CONTINUOUS	1'-0" WIDE	16"	#5 @ 12" O.C.
F-76	CONTINUOUS	1'-0" WIDE	16"	#5 @ 12" O.C.
F-77	CONTINUOUS	1'-0" WIDE	16"	#5 @ 12" O.C.
F-78	CONTINUOUS	1'-0" WIDE	16"	#5 @ 12" O.C.
F-79	CONTINUOUS	1'-0" WIDE	16"	#5 @ 12" O.C.
F-80	CONTINUOUS	1'-0" WIDE	16"	#5 @ 12" O.C.
F-81	CONTINUOUS	1'-0" WIDE	16"	#5 @ 12" O.C.
F-82	CONTINUOUS	1'-0" WIDE	16"	#5 @ 12" O.C.
F-83	CONTINUOUS	1'-0" WIDE	16"	#5 @ 12" O.C.
F-84	CONTINUOUS	1'-0" WIDE	16"	#5 @ 12" O.C.
F-85	CONTINUOUS	1'-0" WIDE	16"	#5 @ 12" O.C.
F-86	CONTINUOUS	1'-0" WIDE	16"	#5 @ 12" O.C.
F-87	CONTINUOUS	1'-0" WIDE	16"	#5 @ 12" O.C.
F-88	CONTINUOUS	1'-0" WIDE	16"	#5 @ 12" O.C.
F-89	CONTINUOUS	1'-0" WIDE	16"	#5 @ 12" O.C.
F-90	CONTINUOUS	1'-0" WIDE	16"	#5 @ 12" O.C.
F-91	CONTINUOUS	1'-0" WIDE	16"	#5 @ 12" O.C.
F-92	CONTINUOUS	1'-0" WIDE	16"	#5 @ 12" O.C.
F-93	CONTINUOUS	1'-0" WIDE	16"	#5 @ 12" O.C.
F-94	CONTINUOUS	1'-0" WIDE	16"	#5 @ 12" O.C.
F-95	CONTINUOUS	1'-0" WIDE	16"	#5 @ 12" O.C.
F-96	CONTINUOUS	1'-0" WIDE	16"	#5 @ 12" O.C.
F-97	CONTINUOUS	1'-0" WIDE	16"	#5 @ 12" O.C.
F-98	CONTINUOUS	1'-0" WIDE	16"	#5 @ 12" O.C.
F-99	CONTINUOUS	1'-0" WIDE	16"	#5 @ 12" O.C.
F-100	CONTINUOUS	1'-0" WIDE	16"	#5 @ 12" O.C.

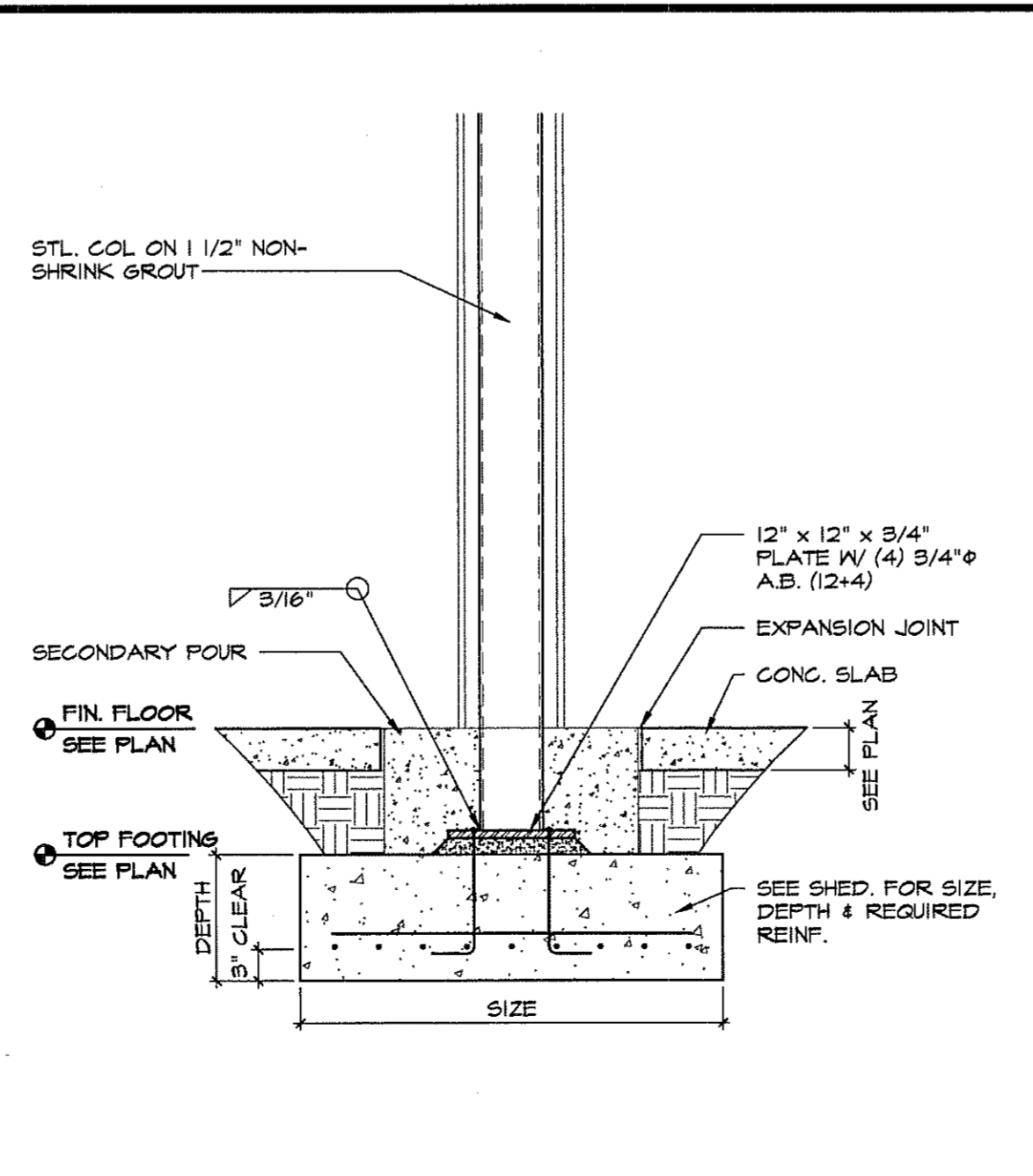
NOTE: I = CONTINUOUS II = PILASTER III = COLUMN PAD



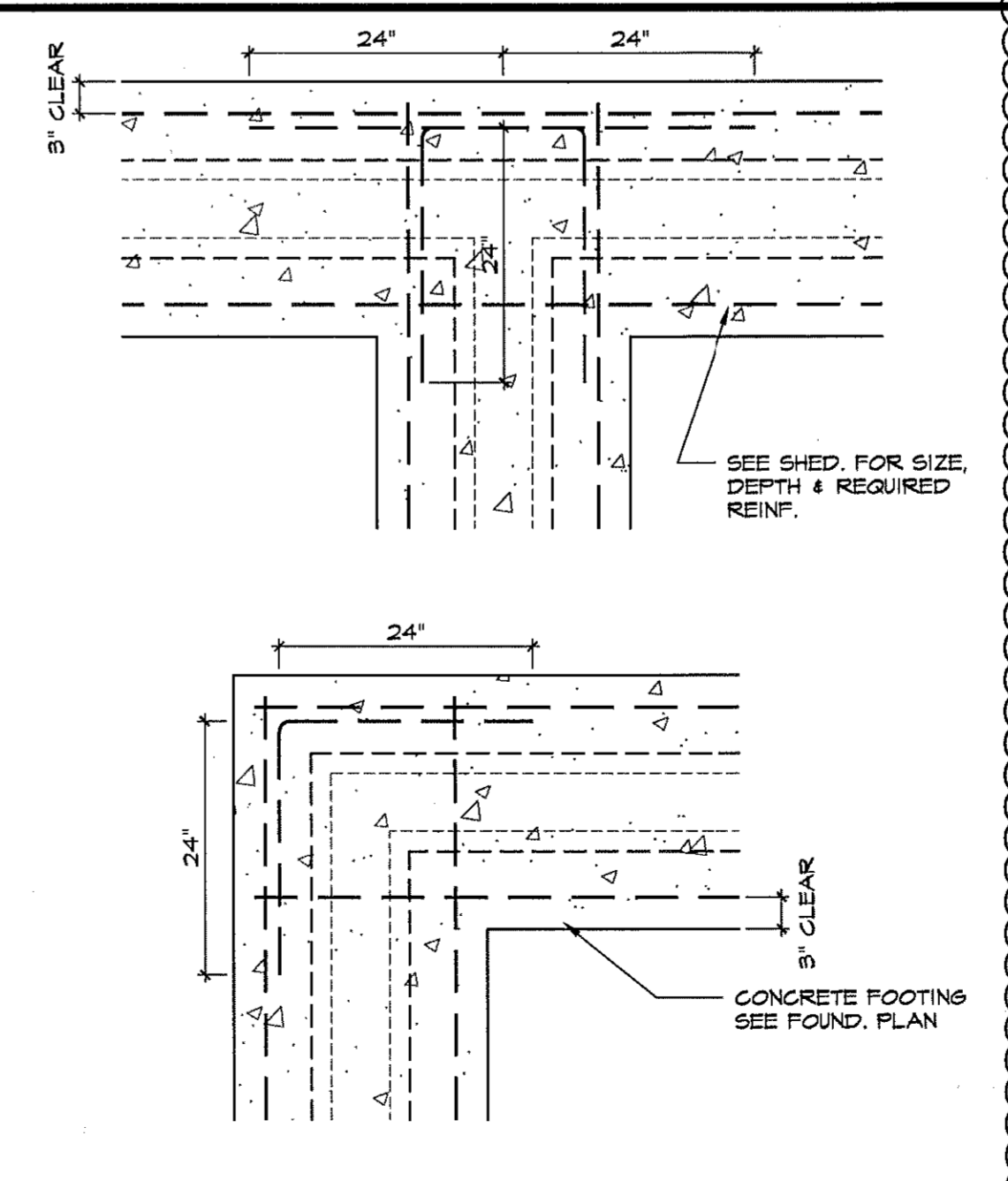
2 TYPE "I" FOOTING (MAX 5'-4")
SCALE: 3/4" = 1'-0"



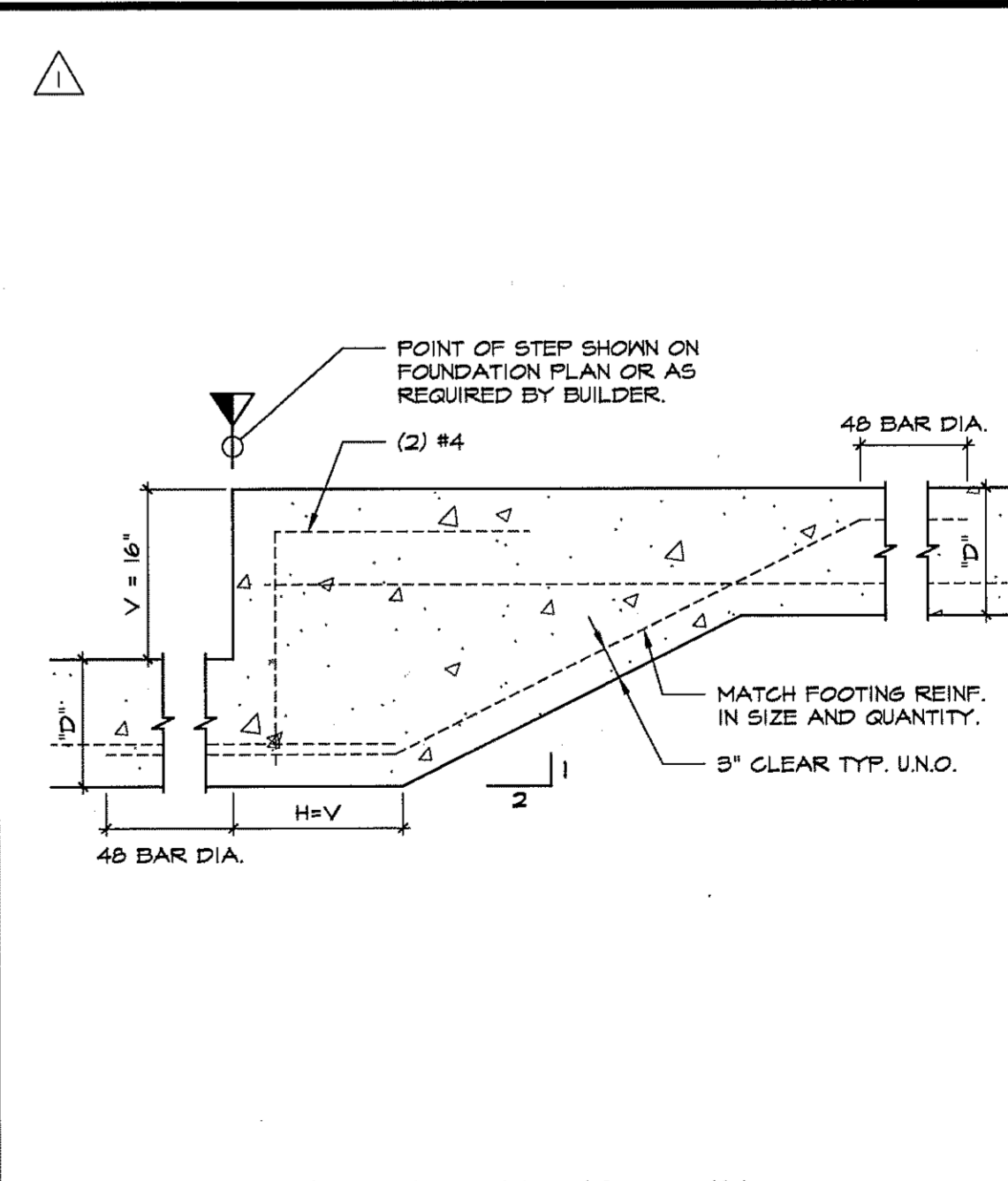
3 TYPE "II" FOOTING (MAX 5'-4")
SCALE: 3/4" = 1'-0"



4 TYPE "III" FOOTING
SCALE: 3/4" = 1'-0"



5 REINF. AT CONC FOOTING
SCALE: 3/4" = 1'-0"



7 TYPICAL STEPPED FOOTING
SCALE: 3/4" = 1'-0"

REVISIONS BY

REVISION	DATE	BY
1		
2		
3		
4		
5		
6		
7		
8		
9		
10		

Lindemann 290 CITRUS TOWER BLVD.
Bentzon SUITE 200 CLEMONT, FLORIDA 34711
Bojack PHONE: (352) 242-0100
ENGINEERING DESIGN INSPECTION & CONSTRUCTION

ABC LIQUORS, INC.
8888 S. ORANGE AVE. - ORLANDO, FLA. 32809
ABC STORE NO. 43
VERO BEACH CENTURY TOWN CENTER

ABC LIQUORS, INC.
8888 S. ORANGE AVE. - ORLANDO, FLA. 32809
ABC STORE NO. 43
VERO BEACH CENTURY TOWN CENTER

DRAWN: M. MAISCO
CHECKED: S. RIVERA
DATE: 5-15-04
SCALE: AS NOTED
JOB No: 43
SHEET