

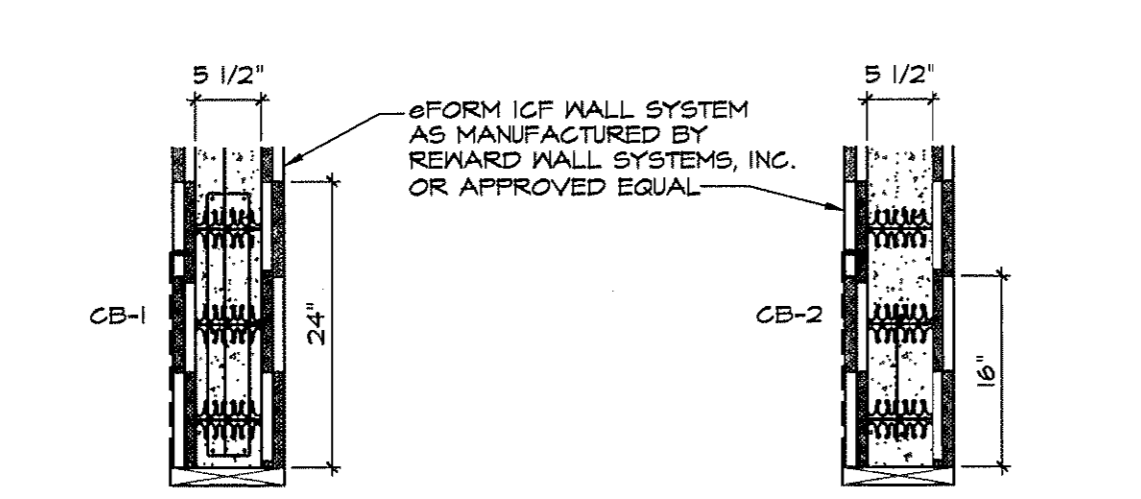
1 ROOF FRAMING PLAN
SCALE: 1/8" = 1'-0"

FRAMING KEY NOTES

- 1 L 4" x 4" x 1/4" STEEL ANGLE AROUND PERIMETER OF 30"x36" OPENING
- 2 CONT. L 4" x 4" x 1/4" UNDER HIP ROOF W/ 200 PLF ADDITIONAL LOAD ON JOISTS.
- 3 CONT. L 3" x 3" x 1/4" PERIMETER ANGLE.
- 4 CONT. L 6" x 4" x 3/8" W/ 1/2" DIAMETER EXPANSION ANCHORS @ 32" O.C. TO SUPPORT DECK (4 1/2" EMBEDMENT).
- 5 4'-0" MAX SPAN L4" x 4" x 1/4" ABOVE P.O.S. AND CIGAR HUMIDOR CEILING W/ 350 PLF ADDITIONAL LOAD ON JOISTS.
- 6 4'-0" MAX SPAN L4" x 4" x 1/4" ABOVE WIBC AWNING W/ 100 PLF ADDITIONAL LOAD ON JOISTS.
- 7 A/C UNITS = 1408# - SEE DETAIL 6 THIS SHEET.
- 8 NOT USED
- 9 UPLIFT BRIDGING @ 1st PANEL POINT PER SJI SPECIFICATIONS.
- 10 HORIZONTAL BRIDGING (TYP)
- 11 MODIFIED BITUMEN SYSTEM AS MANUFACTURED BY SOPREMA INCORPORATED, SEE ARCHITECTURAL ROOF PLAN FOR ADDITIONAL INFO. NOA# 07-121T.06 - UL CLASSIFIED "CLASS A" ROOF COVERING.
- 12 1/2" DENSDECK ROOF BOARD AS MANUFACTURED BY GEORGIA-PACIFIC CORPORATION, UL 780 - NOA# 07-0124.02 (R0.56) - UL CLASSIFIED "CLASS A" ROOF COVERING
- 13 5" POLYURETHAN RIGID FOAM INSULATION AS MANUF. BY POLYGLASS USA INCORPORATED, (R6.0 PER INCH = R30) - UL CLASSIFIED "CLASS A" ROOF COVERING
- 14 1 1/2" 20 GA. METAL DECK WELDED TO JOISTS IN 3/4" PATTERN W/ 1" #10 TEK SIDE LAP IN 3 SPAN CONDITION, PROVIDE 5/8" DIAMETER FIDDLE WELDS AT 6" O.C. TO STEEL ANGLES AT PERIMETER OF BUILDING

WALL OPENING REINFORCING SCHEDULE

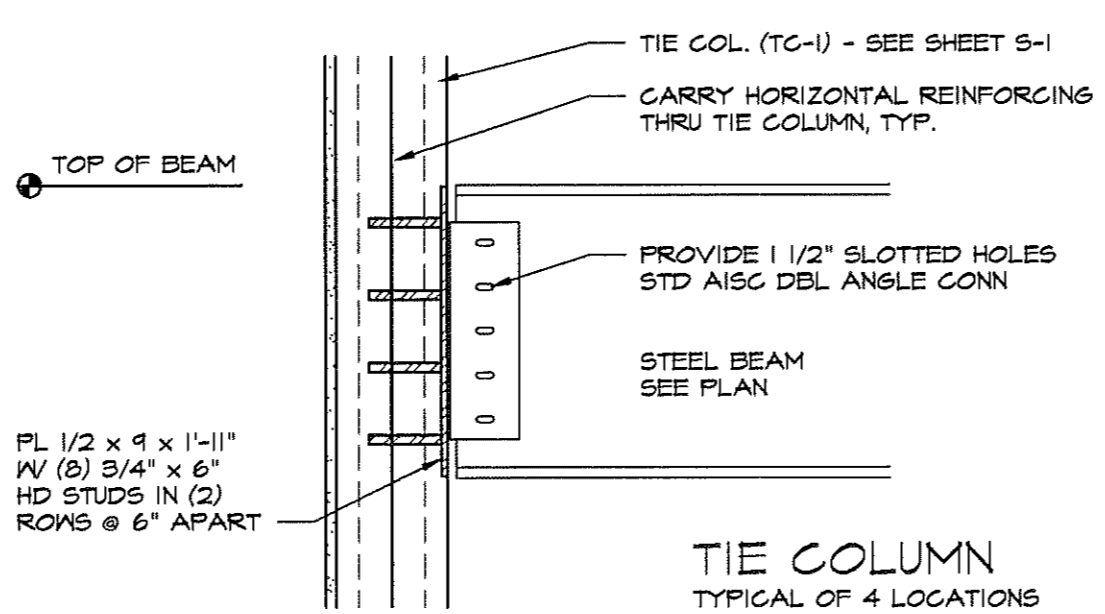
MARK	X	Y	Z	TOP STL	BOTT STL	INT STL	STIRRUPS
CB-1	5 1/2"	24"		2 #5	2 #5	2 #5	#3 @ 10"
CB-2	5 1/2"	16"		1 #5	1 #5	N/A	#3 @ 10"



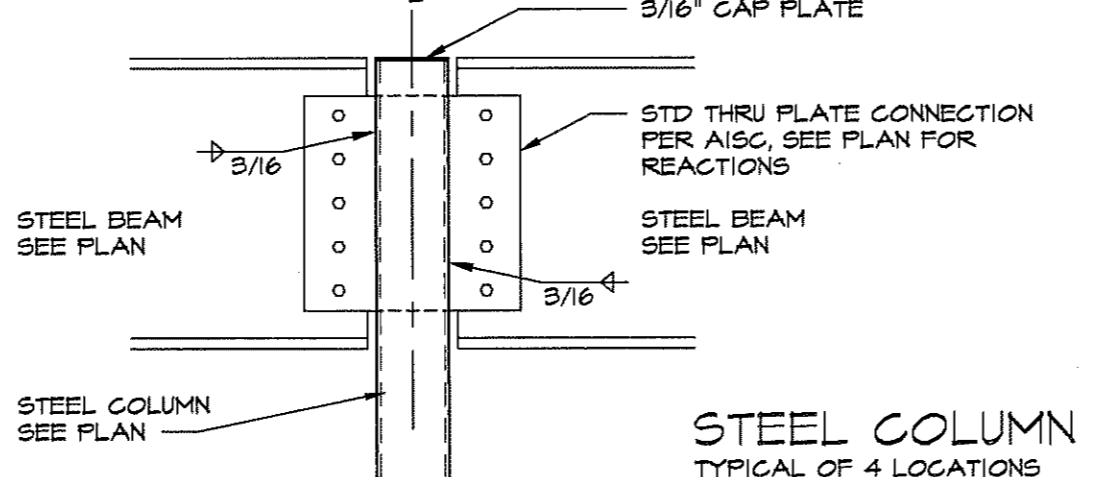
2 REINFORCING ABOVE OPENINGS
SCALE: 3/4" = 1'-0"

FRAMING NOTES

1. (x-x') DENOTES TOP OF STL. ELEV.
2. NET UPLIFT ON JOISTS = 26 PSF
3. BTJ - JOISTS CLOSEST TO STEEL COLUMN SHALL HAVE BOLTED CONNECTIONS
4. SEE SHEET S-7 FOR STRUCTURAL NOTES FOR ROOF FRAMING

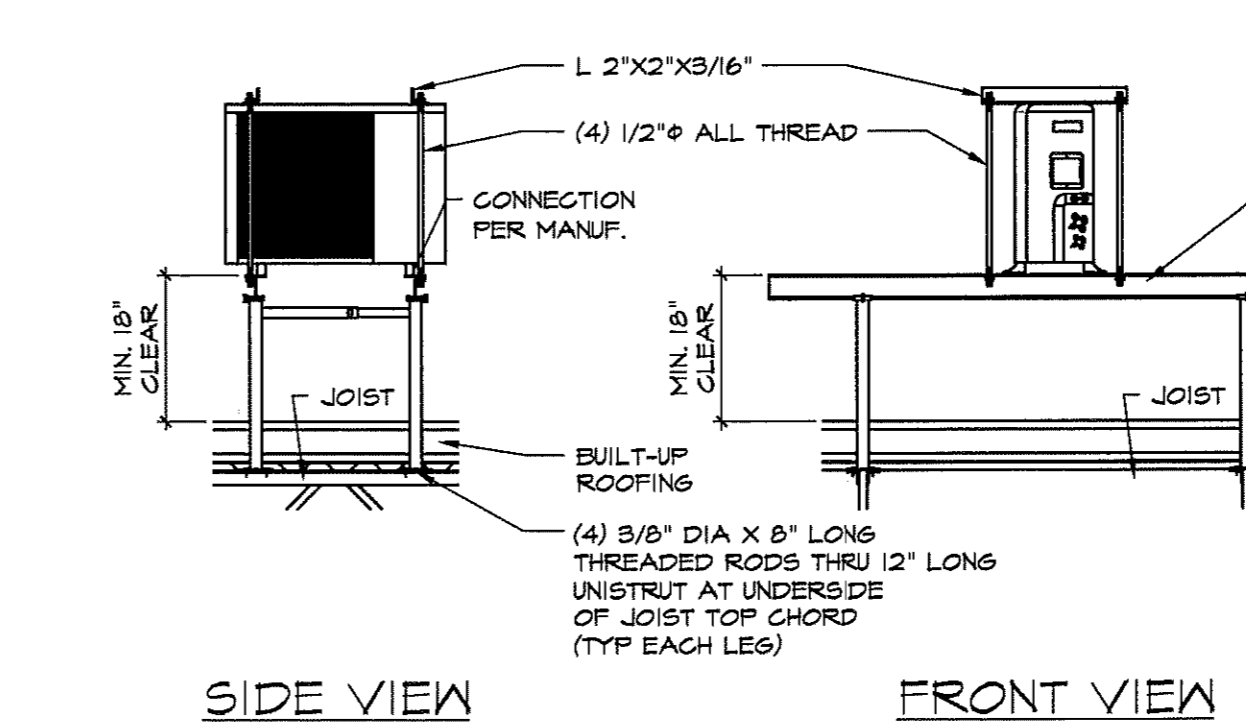


3 STEEL BEAM CONNECTION DETAILS
SCALE: 3/4" = 1'-0"



4 STEEL COLUMN
TYPICAL OF 4 LOCATIONS

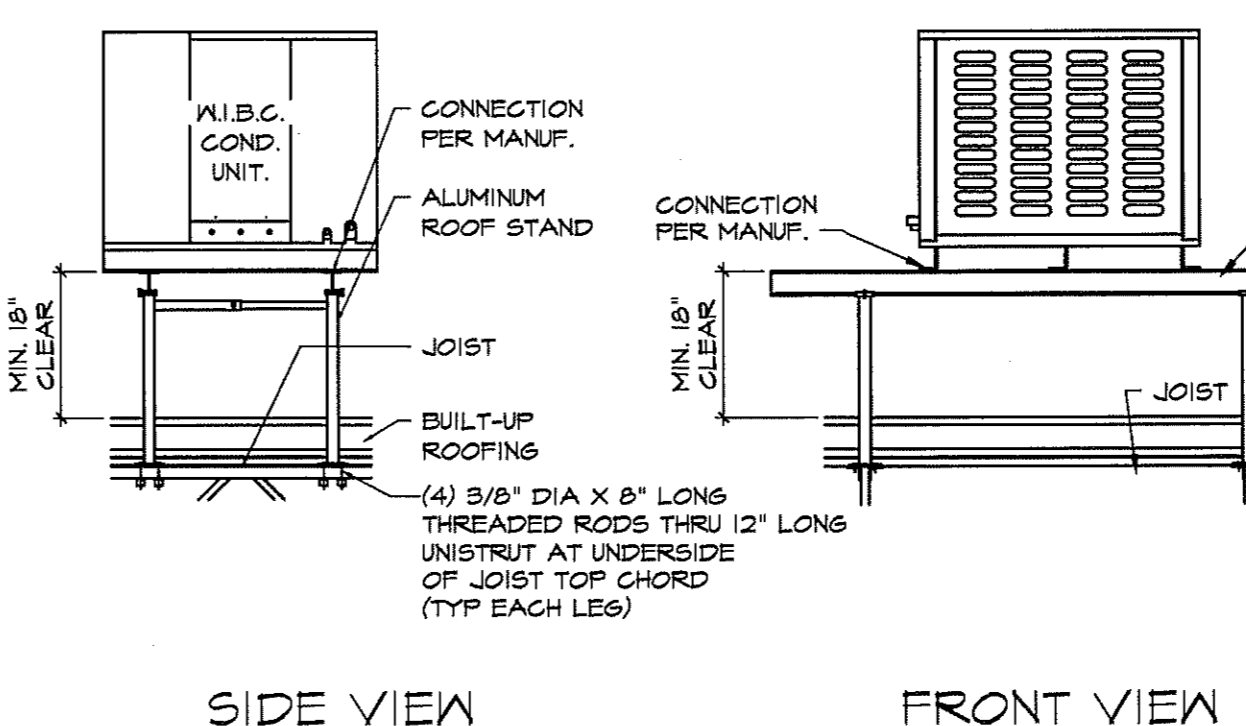
GENERAL NOTE
1. CONT. TO VERIFY ALL FRAME DIMS.
2. CONT. SHALL REFER TO THE ROOFING MANUF. REC. PRIOR TO INSTALL.
3. THE WEIGHT LIMIT SHALL NOT EXCEED 300 LBS. PER STAND.



4 HUMIDOR CONDENSER
SCALE: 1/2" = 1'-0" TYPICAL OF 1 LOCATIONS

IMPORTANT NOTE: ROOF STAND FRAME AS MANUF. BY PRECISION ALUM. PRODUCTS, INC. NOA NO 07-0509.04 STAND LEGS SHALL BE LOCATED ABOVE JOIST & WELDED PRIOR TO POURING ROOF DECK, TYP. EQUIP. DIMS. SHALL BE VERIFIED PRIOR TO STAND INSTALL.

GENERAL NOTE
1. CONT. TO VERIFY ALL FRAME DIMS.
2. CONT. SHALL REFER TO THE ROOFING MANUF. REC. PRIOR TO INSTALL.
3. THE WEIGHT LIMIT SHALL NOT EXCEED 300 LBS. PER STAND.

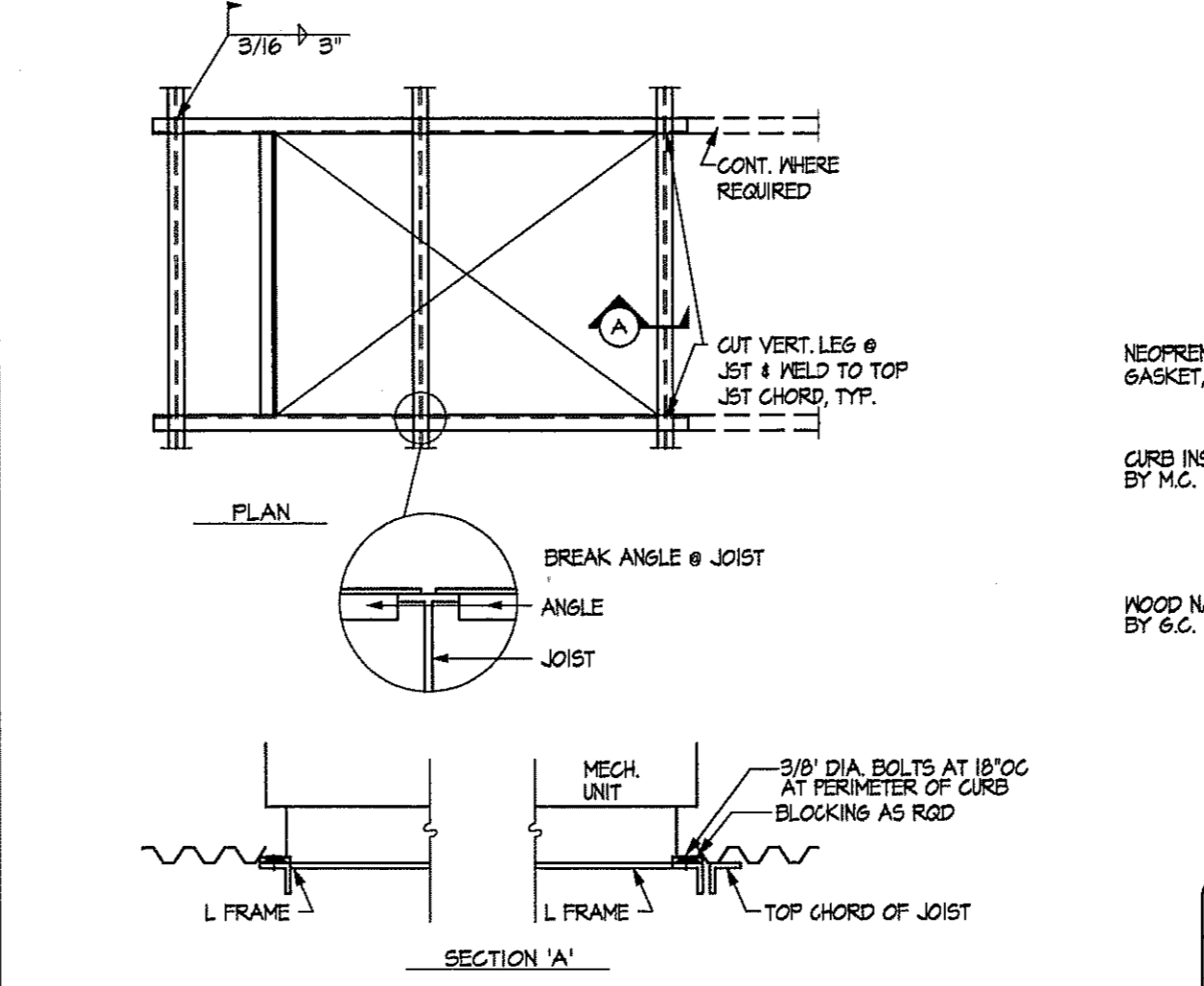


5 W.I.B.C. CONDENSER
SCALE: 1/2" = 1'-0" TYPICAL OF 2 LOCATIONS

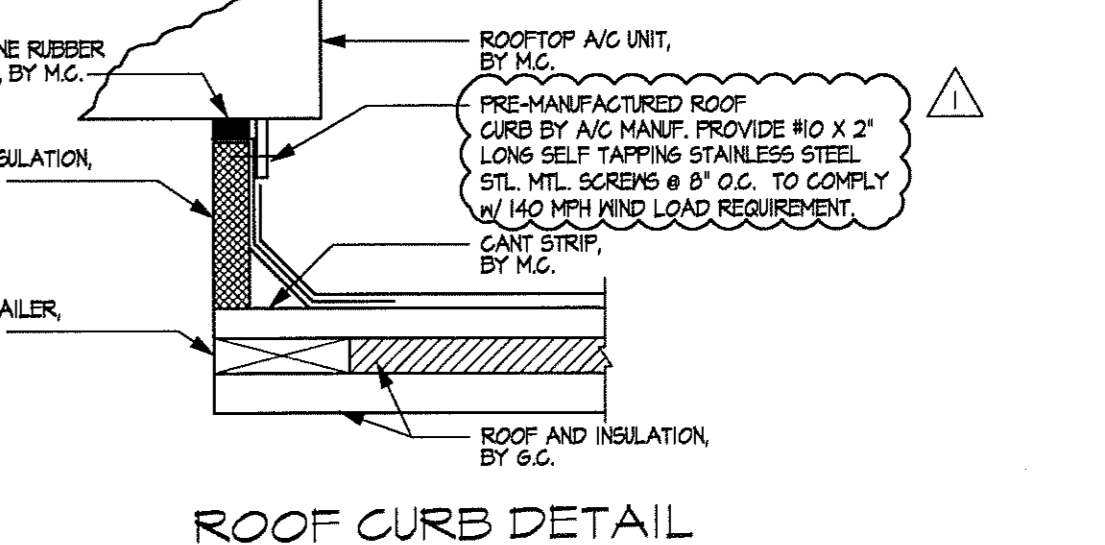
IMPORTANT NOTE: ROOF STAND FRAME AS MANUF. BY PRECISION ALUM. PRODUCTS, INC. NOA NO 07-0509.04 STAND LEGS SHALL BE LOCATED ABOVE JOIST & WELDED PRIOR TO POURING ROOF DECK, TYP. EQUIP. DIMS. SHALL BE VERIFIED PRIOR TO STAND INSTALL.

NOTE:

1. VERIFY ALL DIMENSIONS AND DETAILS W/ MECHANICAL CONTRACTOR PRIOR TO FABRICATION.
2. PRE-FAB ROOF CURBS TO BE INSTALLED PRIOR TO INSTALL OF ROOF DECK.
3. DO NOT RUN ROOF DECK BENEATH ROOF UNITS.
4. PROVIDE BOLTS OR WELD PRE-FAB CURBS TO ANGLE FRAME AS REQUIRED AND APPROVED BY EQUIPMENT MANUFACTURER.
5. A/C UNIT TOTAL WEIGHT - SEE FRAME SCHEDULE THIS DETAIL FOR FRAMING.
WT. = 1808#
* 15 TON A/C UNIT 1 AND 2
* 10 TON A/C UNIT 3
WT. = 982#



6 A/C ROOF FRAMING DETAIL
SCALE: 1/2" = 1'-0" TYPICAL OF 3 LOCATIONS

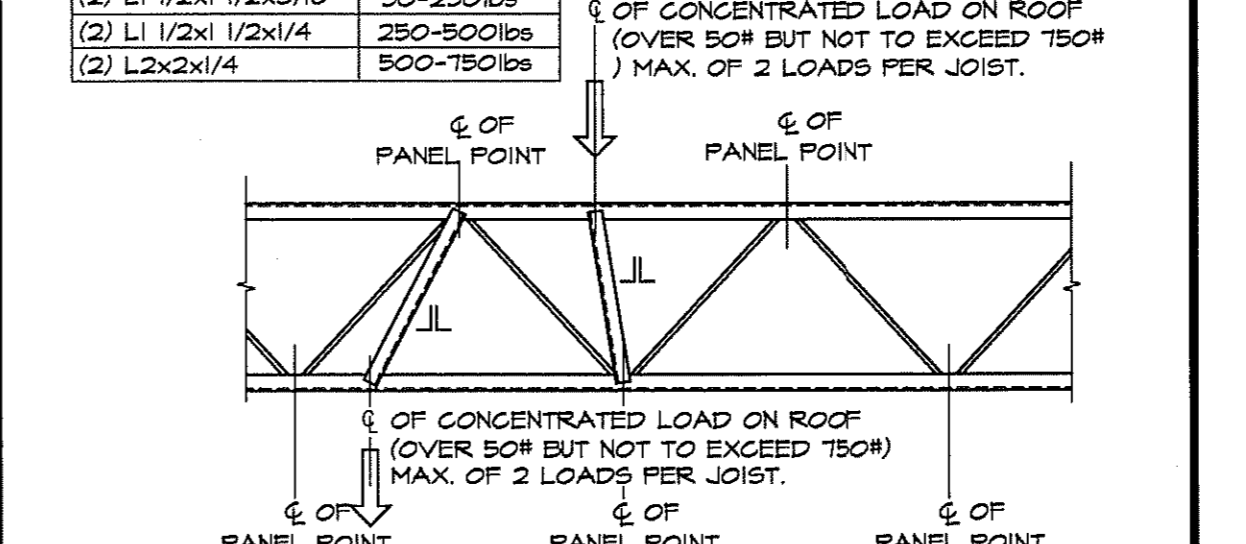


ROOF CURB DETAIL

ROOF TOP UNIT FRAME SCHED

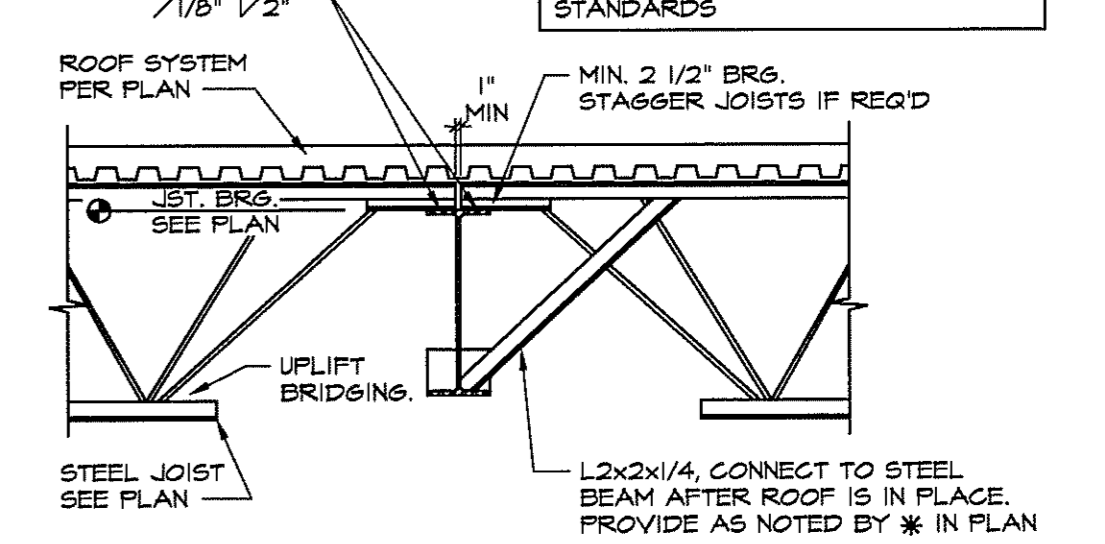
UNIT WEIGHT	ANGLE SIZE
0 - 675 LBS	L 4 x 3 x 1/4 LLH
** 676 - 1500 LBS	** L 4 x 3 x 1/2 LLH
* 1501 - 3000 LBS	* L 6 x 4 x 3/8 LLV
3001 - 6000 LBS	L 6 x 6 x 3/8

REINFORCING
ANGLE SIZE CONG. LOAD
(2) L1 1/2x1 1/2x3/16 50-250lbs
(2) L1 1/2x1 1/2x1/4 250-500lbs
(2) L2x2x1/4 500-750lbs



7 REINF. FOR CONCENTRATED LOADS
SCALE: 3/4" = 1'-0"

NOTE:
CAN USE OPTIONAL CONNECTION OF 2-1/2" DIA. BOLTS EACH JOIST CONNECTION TO BEAM PER SJI STANDARDS



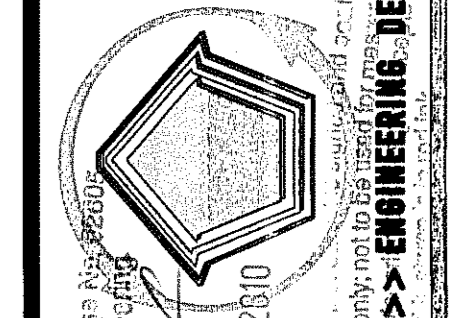
8 JOIST ON STEEL BEAM
SCALE: 3/4" = 1'-0"

REVISIONS BY

BUILDING DEPT	REVISION	DATE	BY
	1-26-10		MCM

290 CITRUS TOWER BLVD.
SUITE 200
CLERMONT, FLORIDA 34711
PHONE: (352) 242-0100
FAX: (352) 242-0302

Lindemann
Bentzon
Bojack



REGISTERED PROFESSIONAL ENGINEER
No. 12345
Mechanical Engineering
State of Florida
Effective Date: 01/01/2010
Expiration Date: 12/31/2015

ABC LIQUORS, INC.
8869 S. ORANGE AVE. - ORLANDO, FLA. 32809
ABC STORE NO. 43
VERO BEACH CENTURY TOWN CENTER

DRAWN: M. MAISCO
CHECKED: S. RIVERA
DATE: 5-15-04
SCALE: AS NOTED
JOB NO.: 48
SHEET

S-2