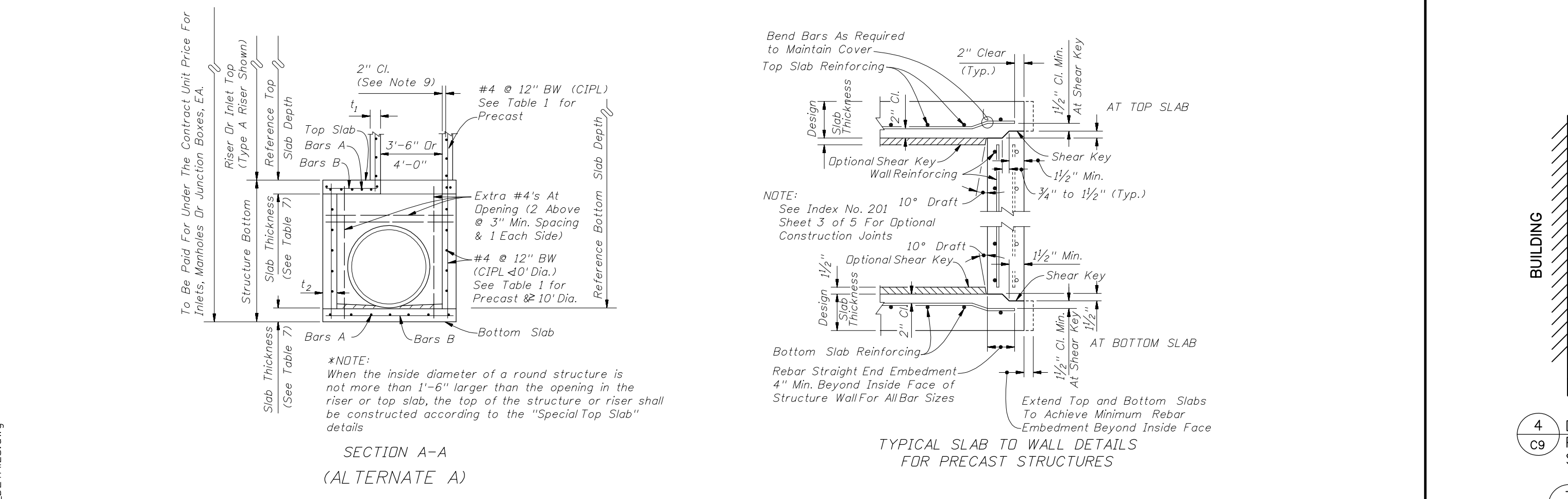
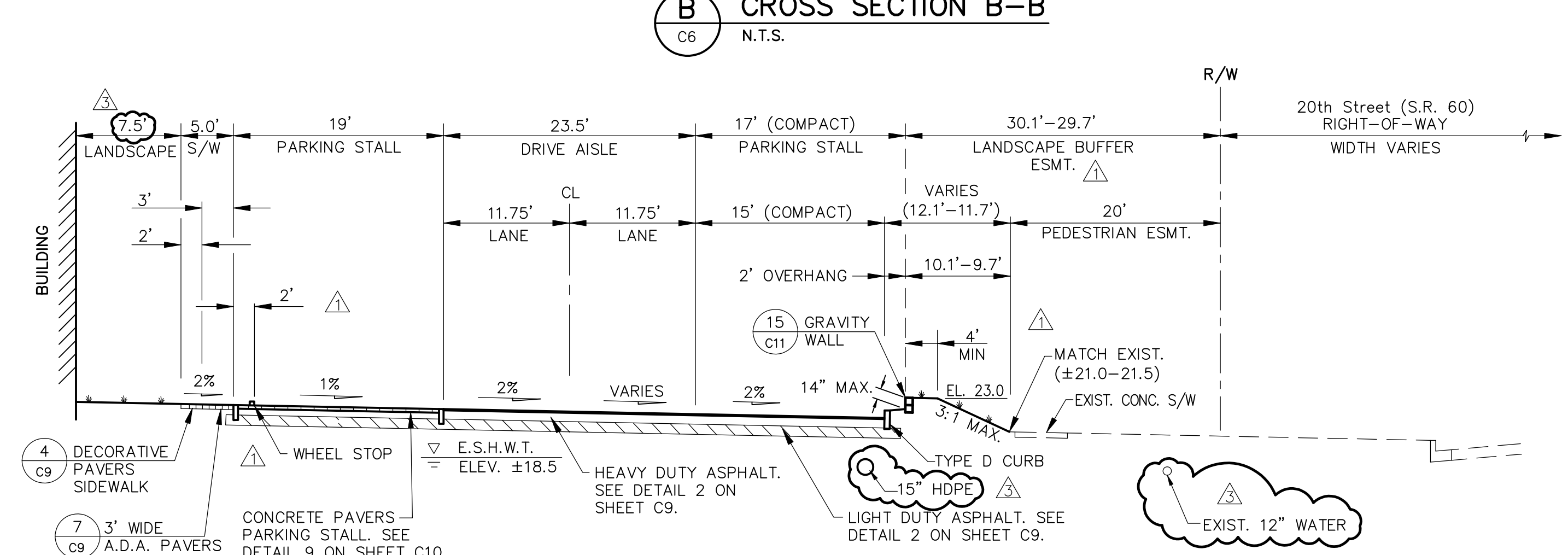
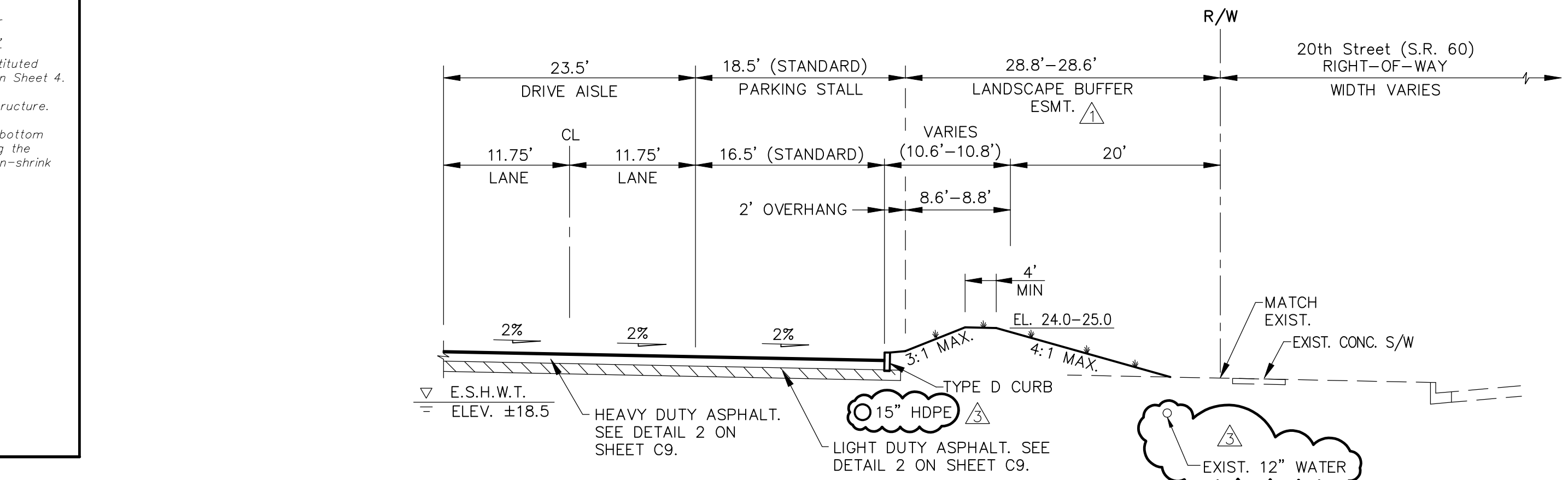


16 STORM MANHOLE TOPS - FDOT INDEX 201
N.T.S.



17 TYPE P MANHOLE BOTTOM - FDOT INDEX 200
N.T.S.



REVISIONS	BY
1. I.R.C. COMMENTS	CKS
2. I.R.C. COMMENTS	CKS

DRMP
ENGINEERS • SURVEYORS • PLANNERS • SCIENTISTS

941 Lake Baldwin Lane - Orlando, Florida 32814
Phone: 407.896.0594 Fax: 407.896.4836
Florida Certificate of Authorization No. 2648

Dyer, Riddle, Mills, & Precourt, Inc.

ABC LIQUORS, INC.
8889 S. ORANGE AVE. - ORLANDO, FLA. 32824

ABC FINE WINE & SPIRITS STORE NO. 43
5905 20th STREET, VERO BEACH, FLORIDA, 32966

JOHN C. KELLY, P.E.
FLORIDA P.E. #44011

PAVING AND DRAINAGE DETAILS

DRAWN: CKS
CHECKED: JCK
DATE: AUGUST, 2004
SCALE: AS NOTED
JOB No: 04-0289.000
SHEET: 11 OF 21

N:\09-0289.000_ABC_Store_#43_West_Vero\Civil\39-03-10-Plans\C11_43_DETAILS.dwg Plotted: Jan 18, 2010 - 1:53pm by camth C11_43_DETAILS.dwg