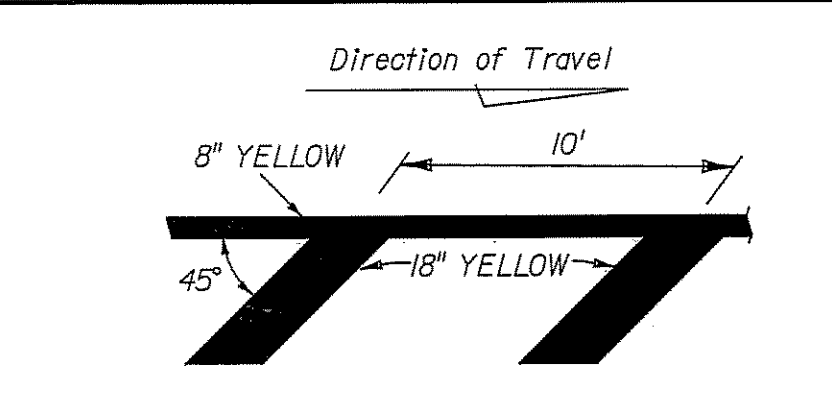
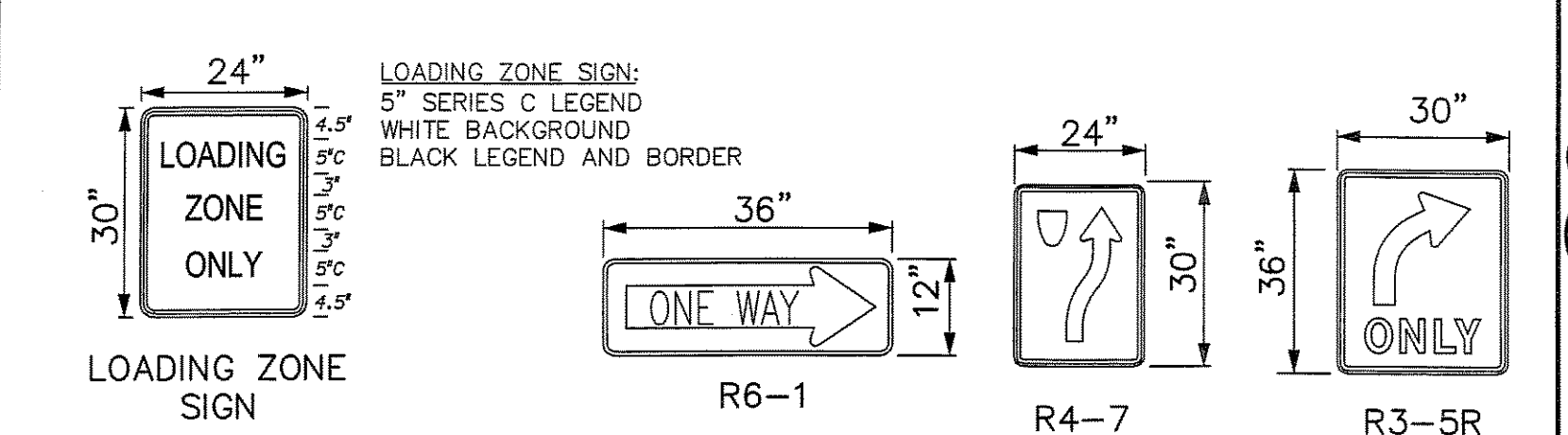


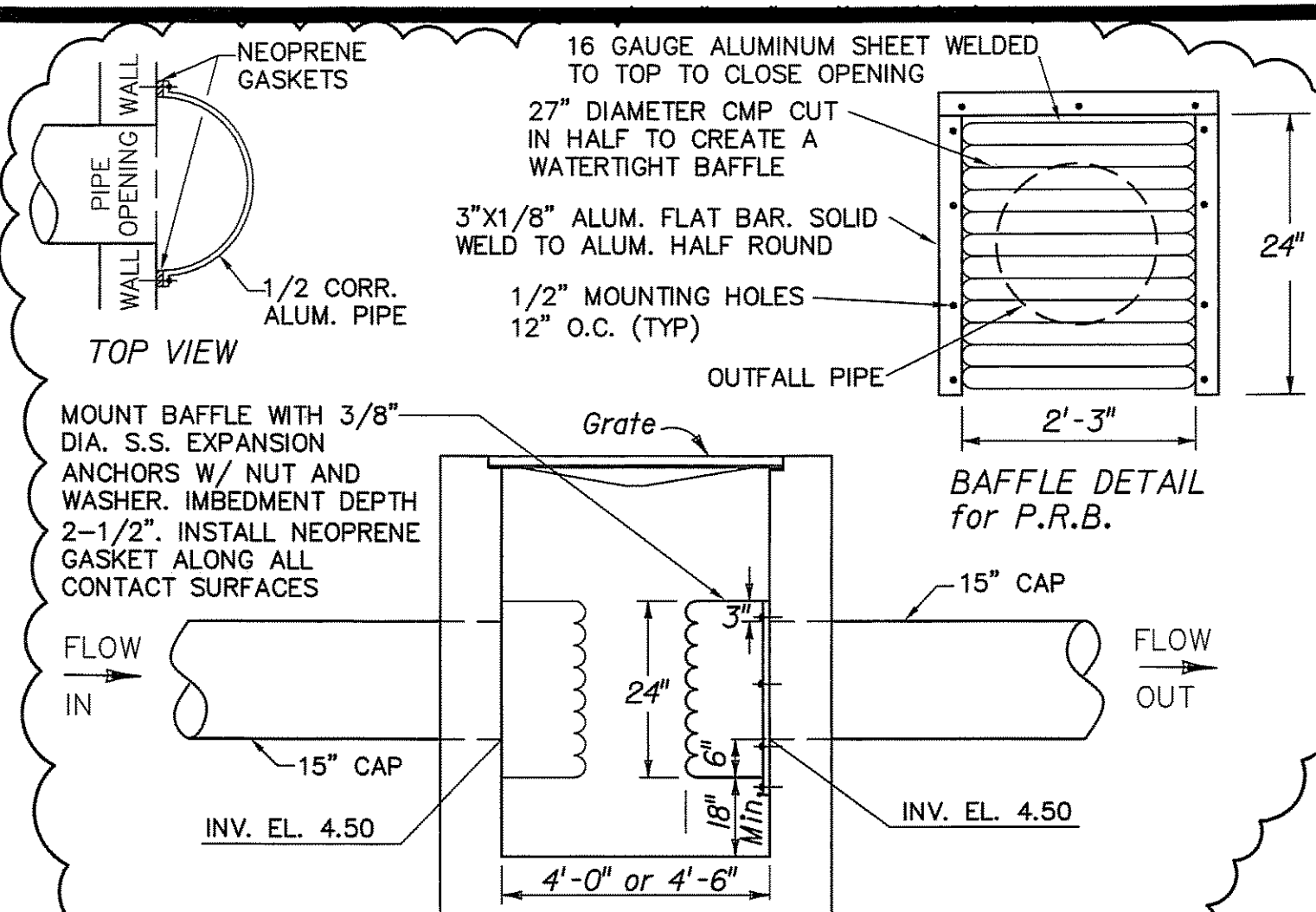
15 LOADING ZONE STRIPING  
N.T.S.



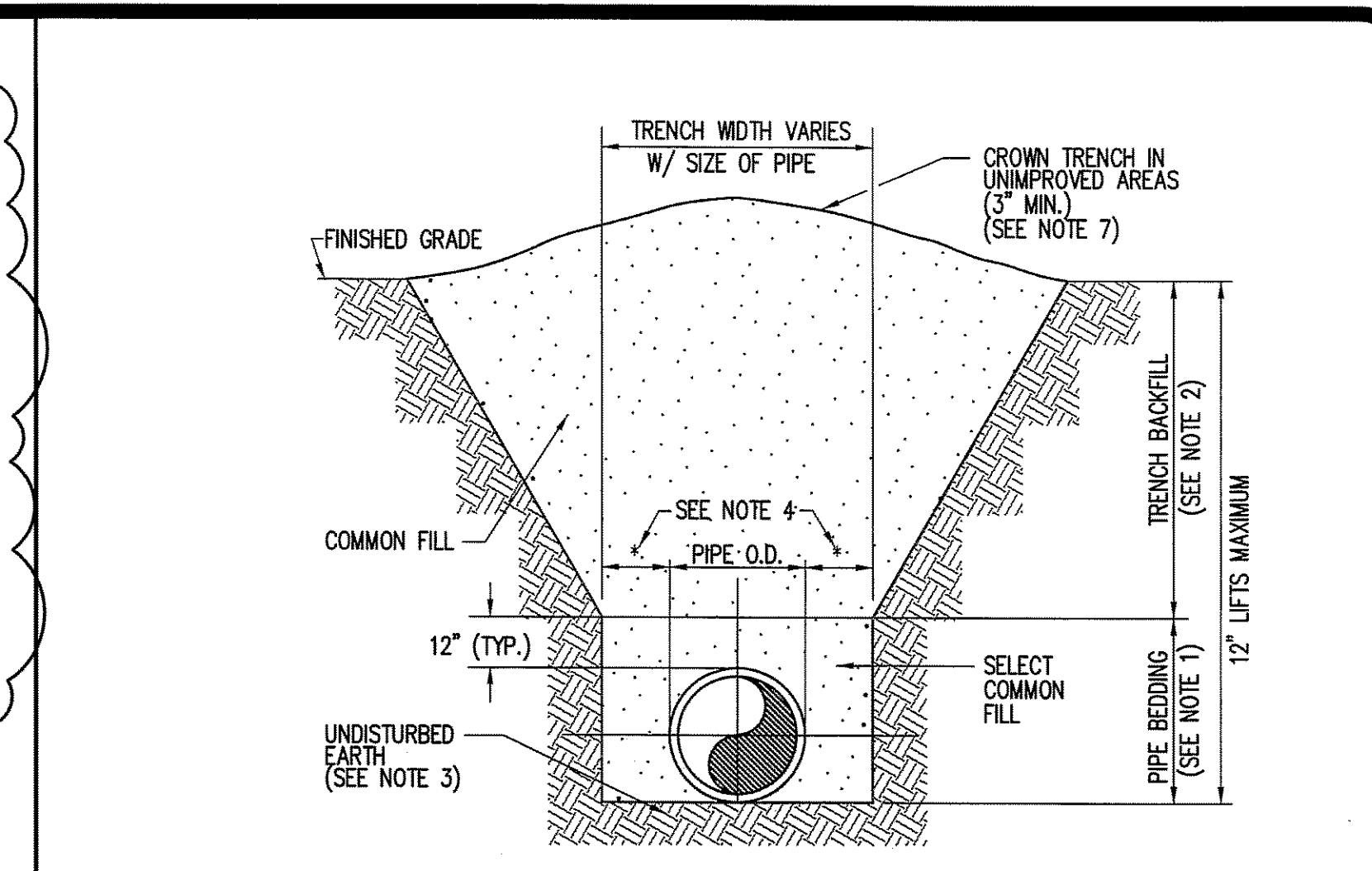
16 FIRE LANE STRIPING  
N.T.S.



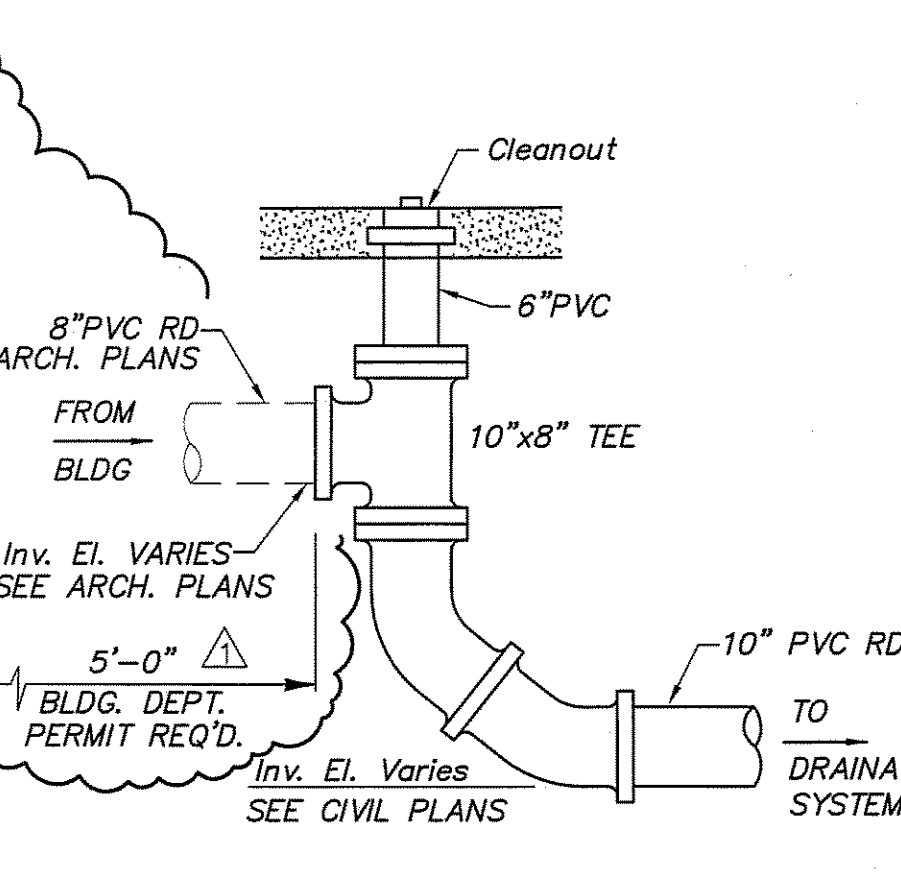
17 SIGN DETAILS  
N.T.S.



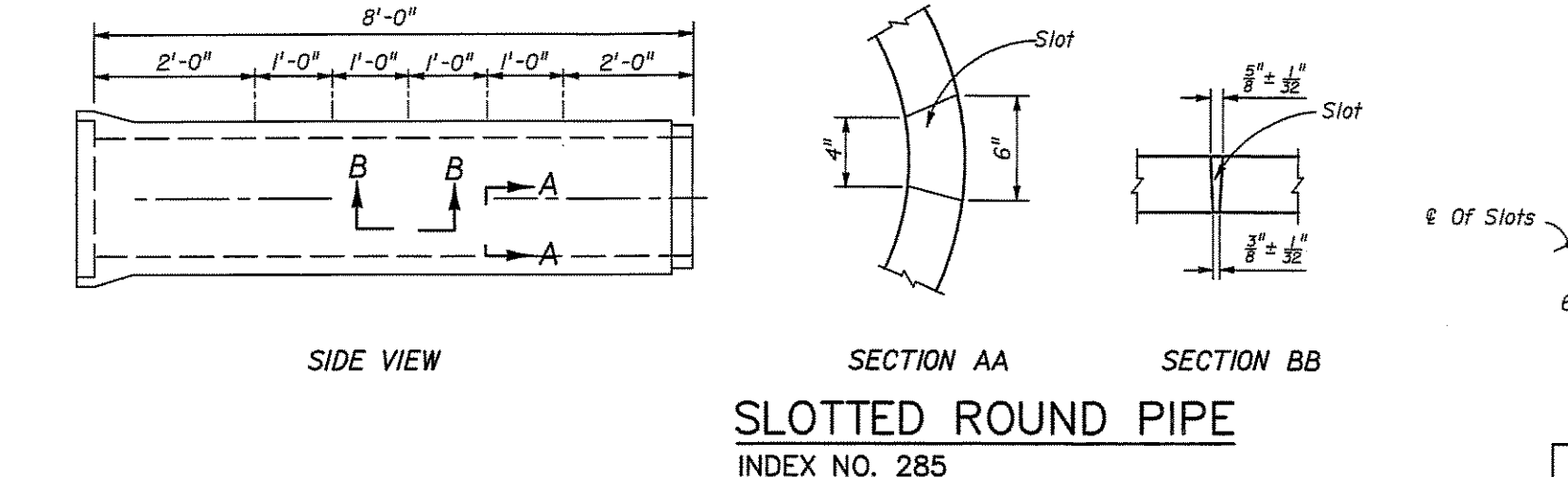
18 POLLUTION RETARDANT BASIN (PRB)  
N.T.S.



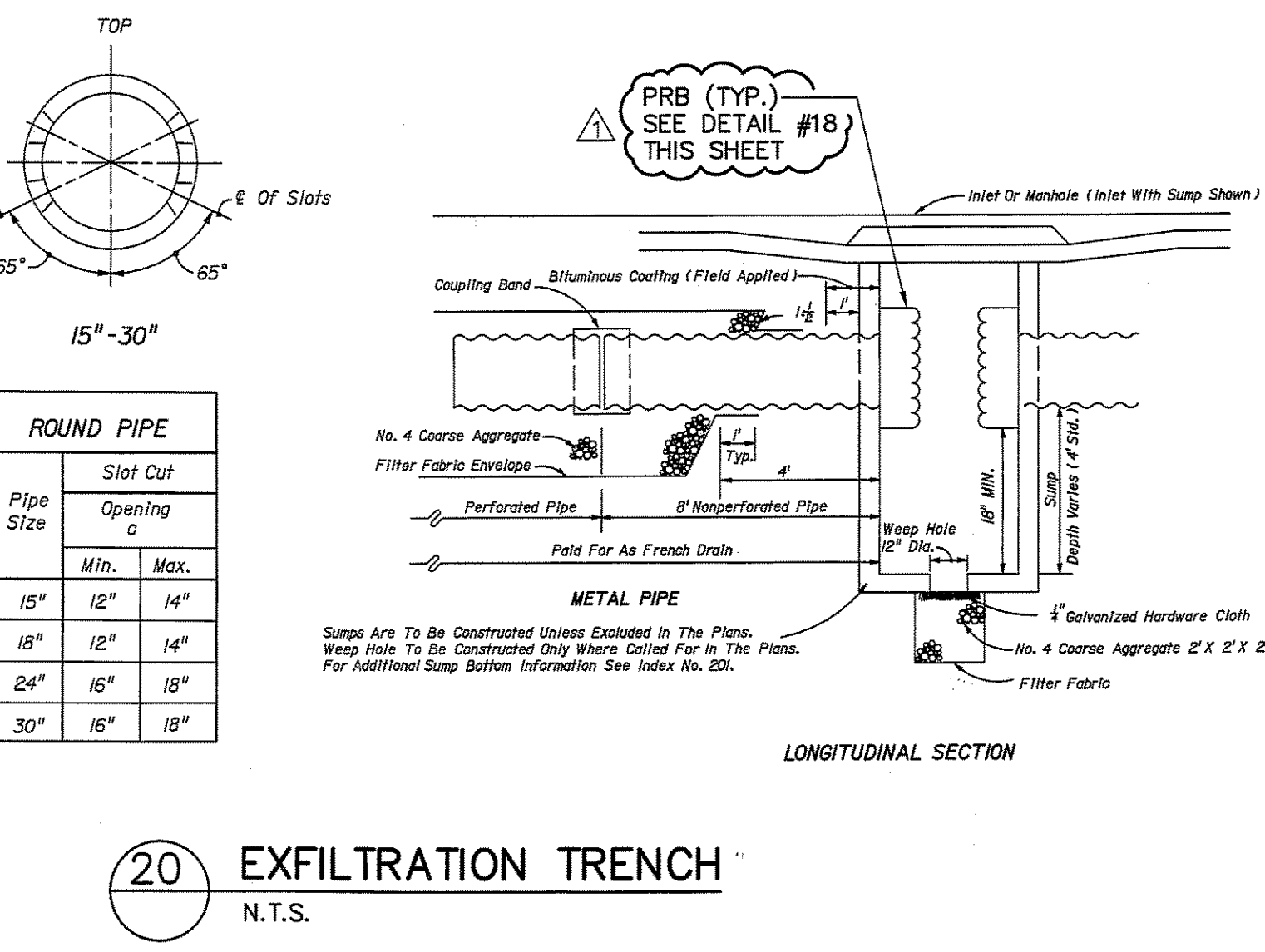
21 TYPE B BEDDING AND TRENCHING  
N.T.S.



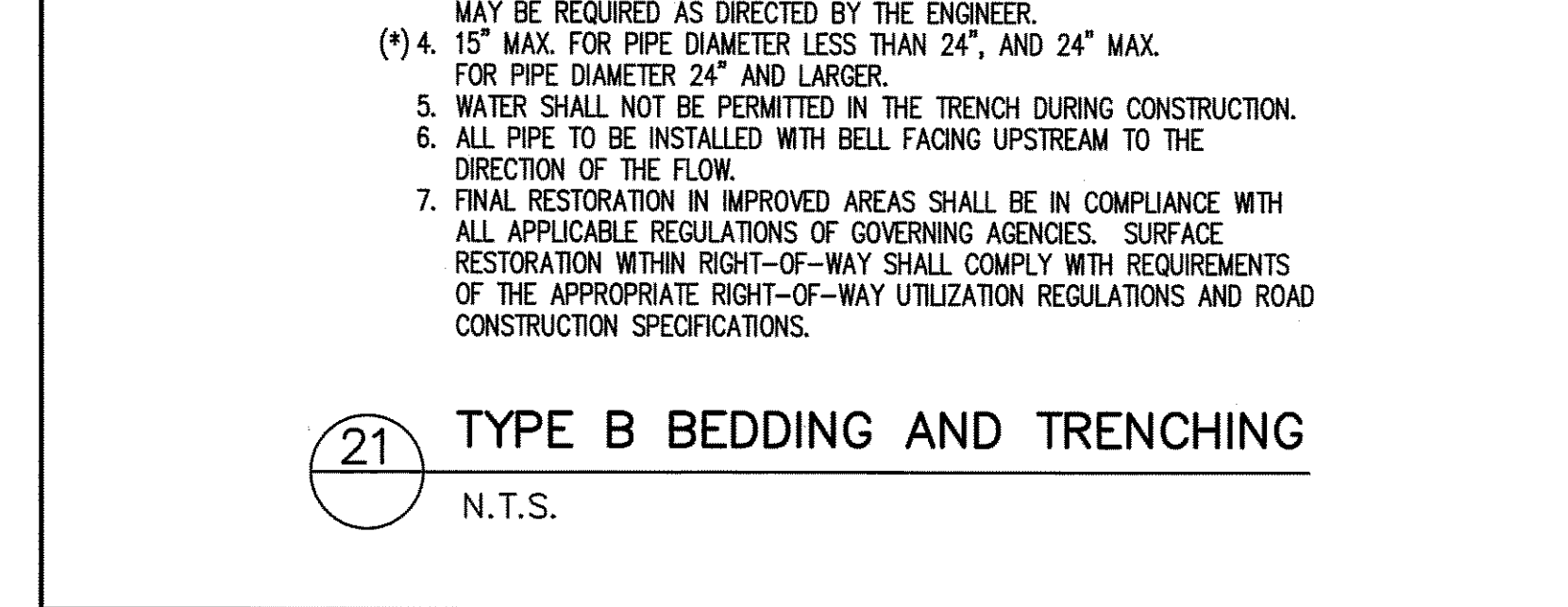
19 ROOF DRAIN CONNECTION  
N.T.S.



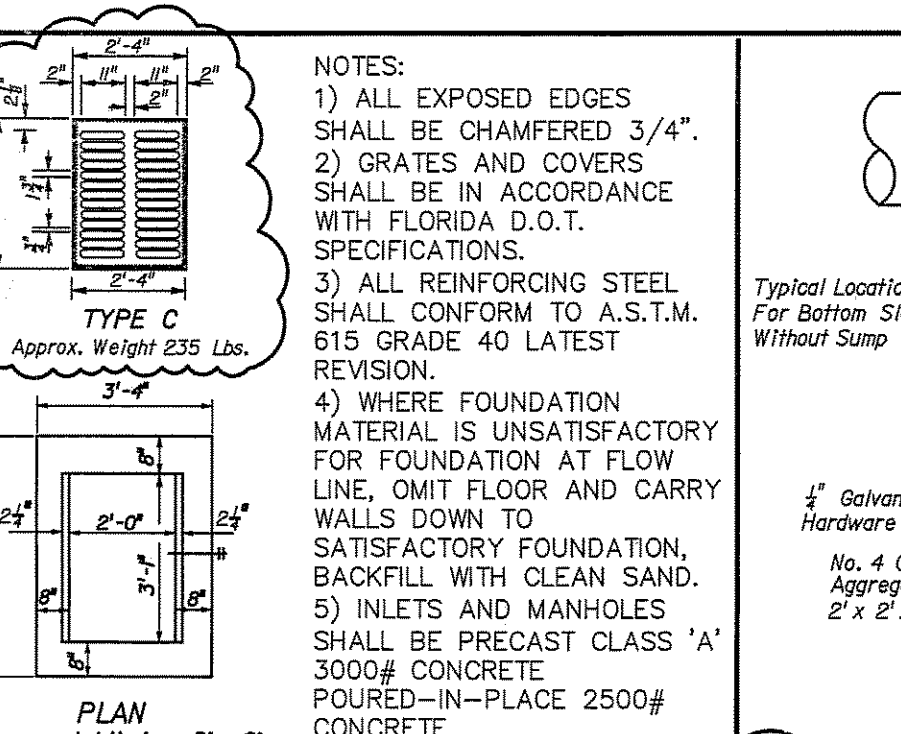
20 EXFILTRATION TRENCH  
N.T.S.



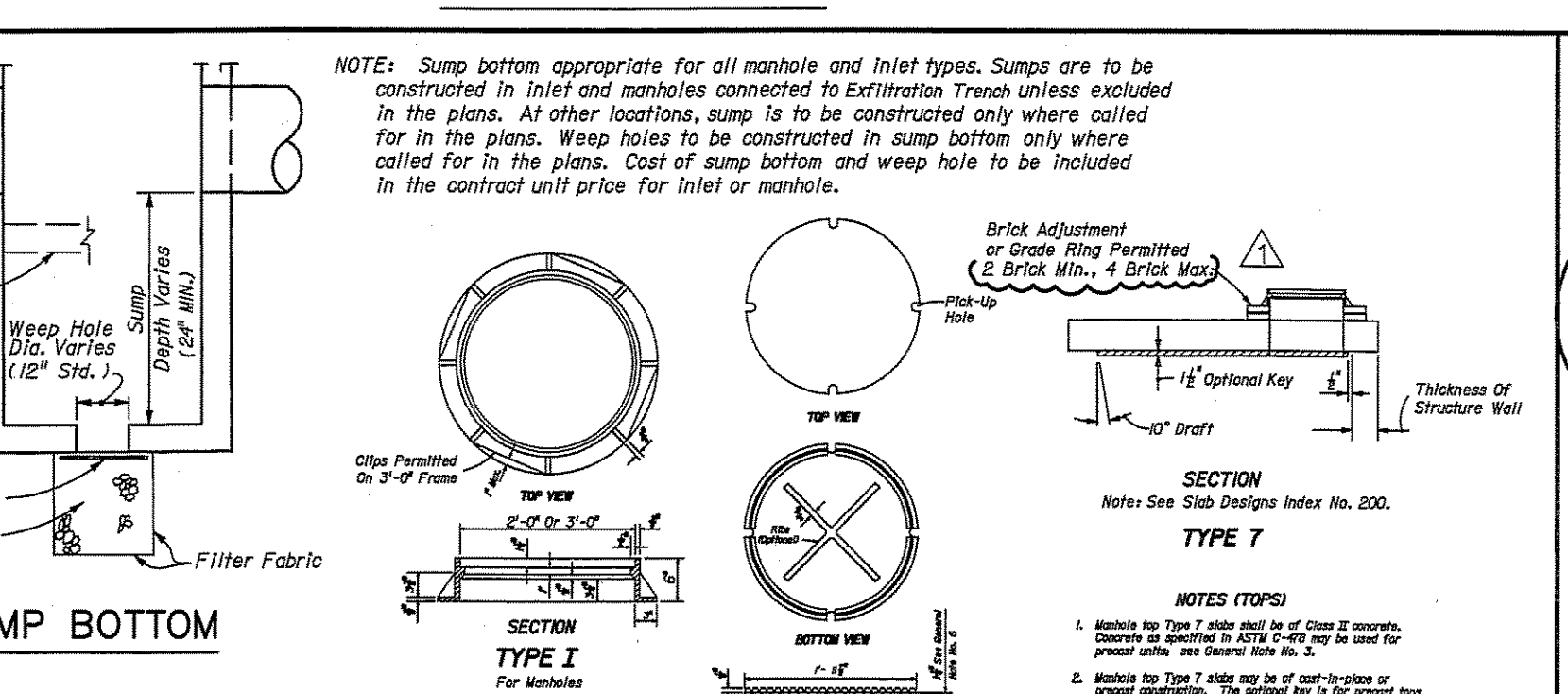
20 EXFILTRATION TRENCH  
N.T.S.



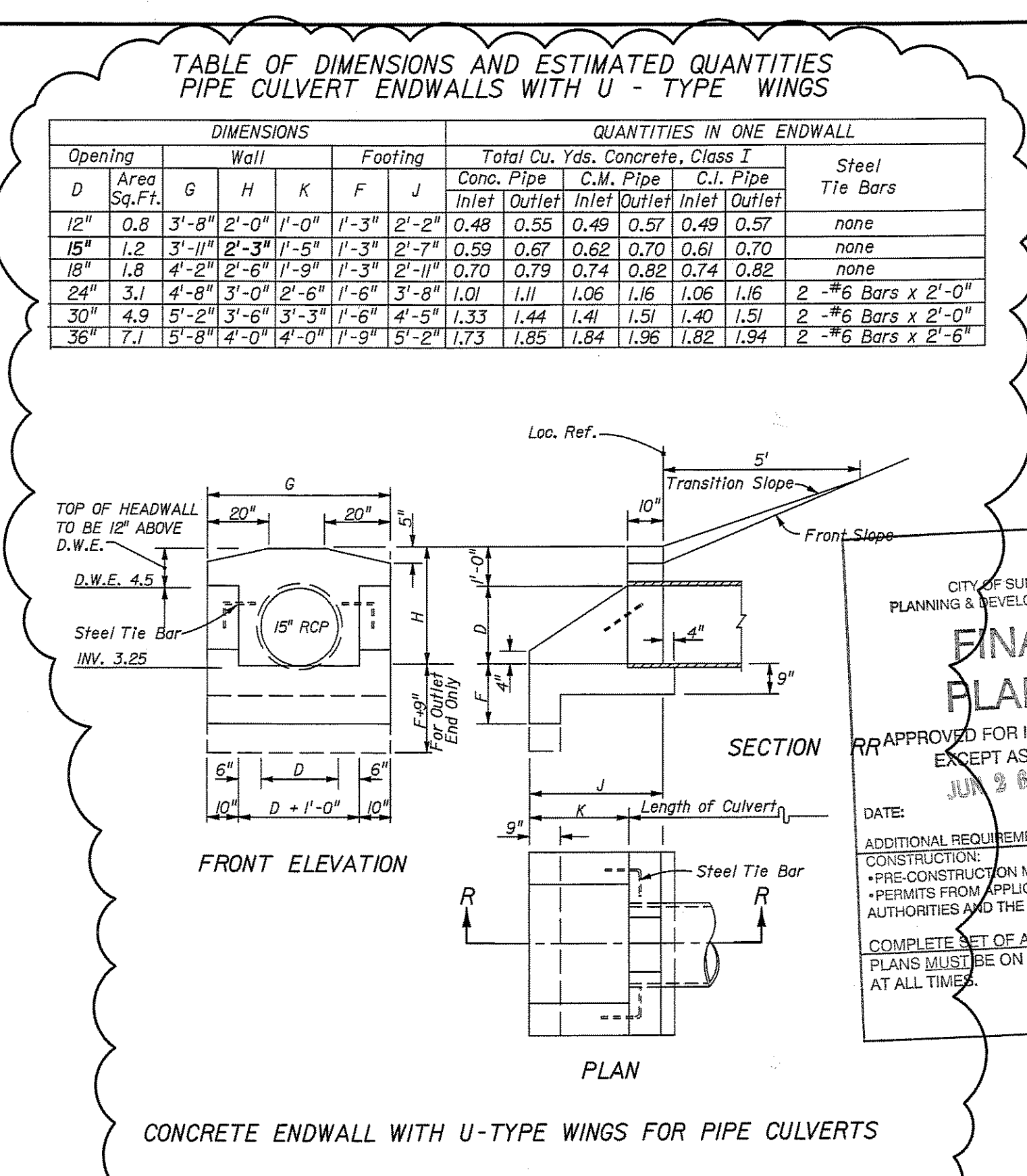
21 TYPE B BEDDING AND TRENCHING  
N.T.S.



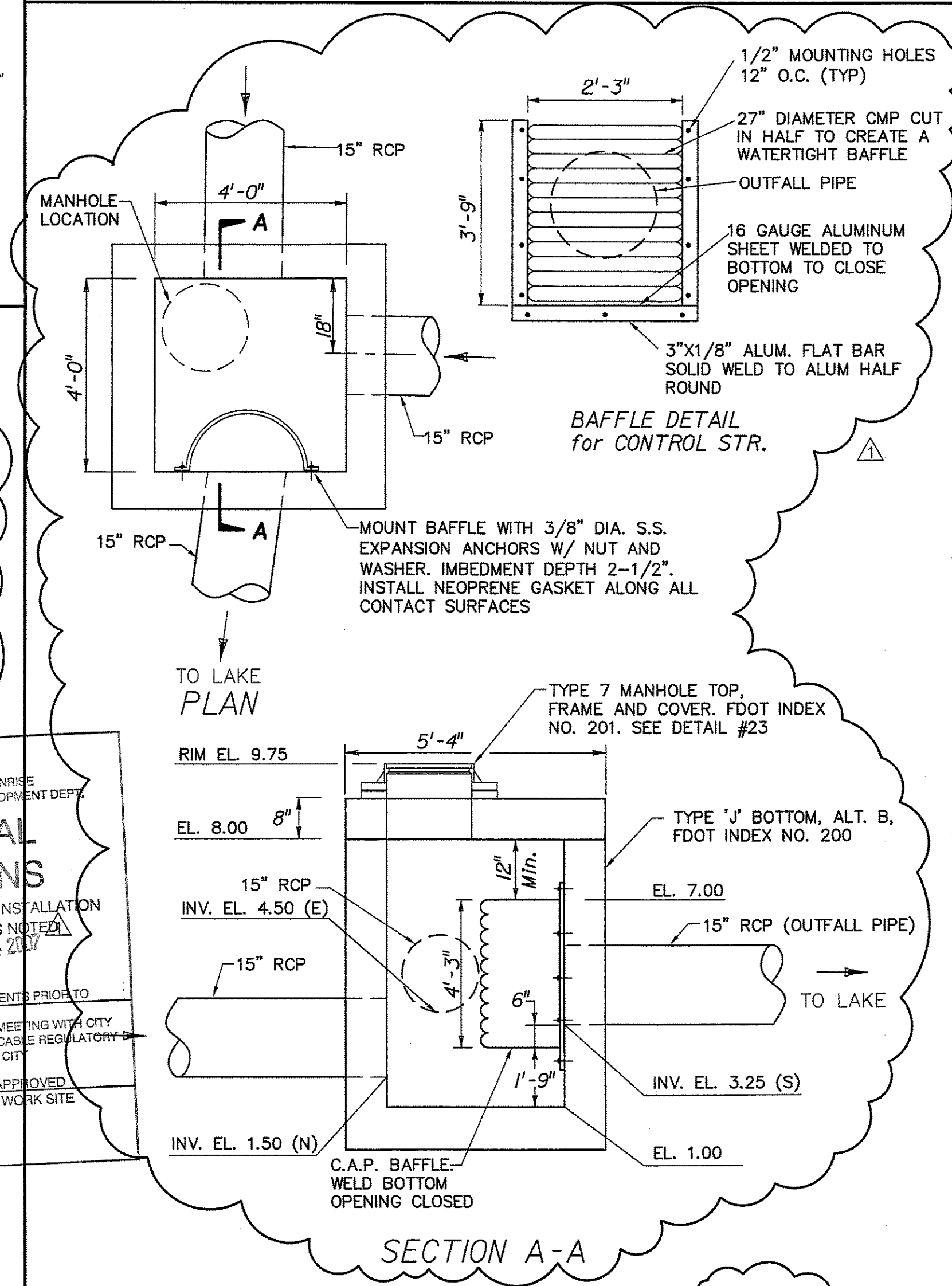
22 FDOT TYPE C & E INLETS  
N.T.S.



23 FDOT STORM MANHOLE TOPS  
N.T.S.



25 FDOT WINGED ENDWALL (INDEX NO. 266)  
N.T.S.



26 CONTROL STRUCTURE (S-10)  
N.T.S.

REVISIONS	BY
CITY ENG. COMMENTS	CKS

**DRMP**  
ENGINEERS - SURVEYORS - PLANNERS - SCIENTISTS  
1505 East Colonial Drive - Orlando, Florida 32803  
Phone: 407.896.0594 Fax: 407.896.4836  
Florida Certificate of Authorization No. 2048

WARNING  
IF THIS SEAL DOES NOT SEAL PROPERLY, THIS DOCUMENT IS NOT TO SCALE

JUN 01 2007  
JOHN G. KELLY, P.E.  
FLORIDA P.E. #44011

**ABC LIQUORS, INC.**  
8889 S. ORANGE AVE. - ORLANDO, FLA. 32824

**ABC FINE WINE & SPIRITS STORE #50**  
SAWGRASS MILLS, NORTH FLAMINGO ROAD, SUNRISE, FLORIDA

**PAVING AND DRAINAGE DETAILS**

DRAWN: CKS  
CHECKED: JJK  
DATE: OCT. 2006  
SCALE: AS NOTED  
JOB No: 05-0344.000  
SHEET: C II

05-0344.000\_ABC\_Store\_Sawgrass\_Mills\_Mailbox\DWG\Design\C11\_30\_DETPTS.dwg, 4/9/2007 4:37:51 PM, csmth