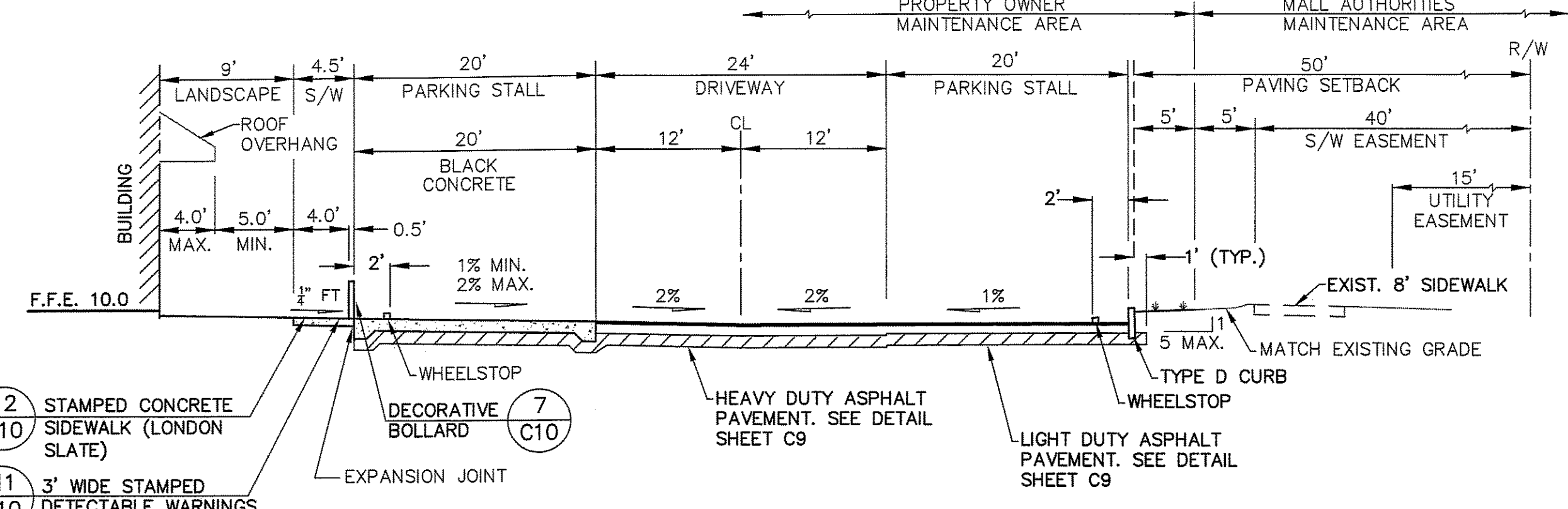
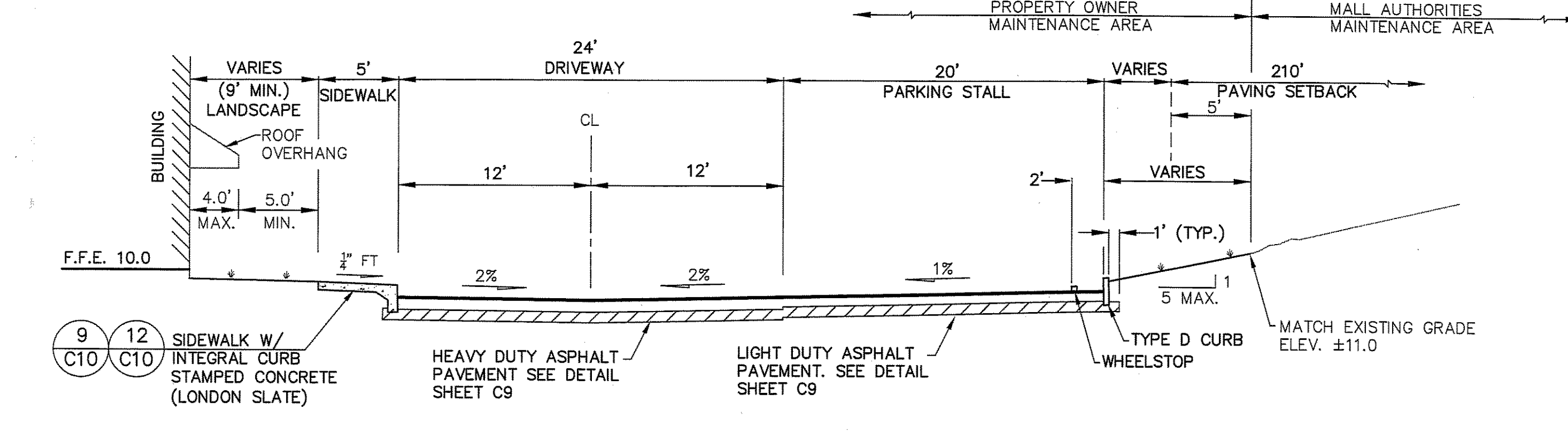


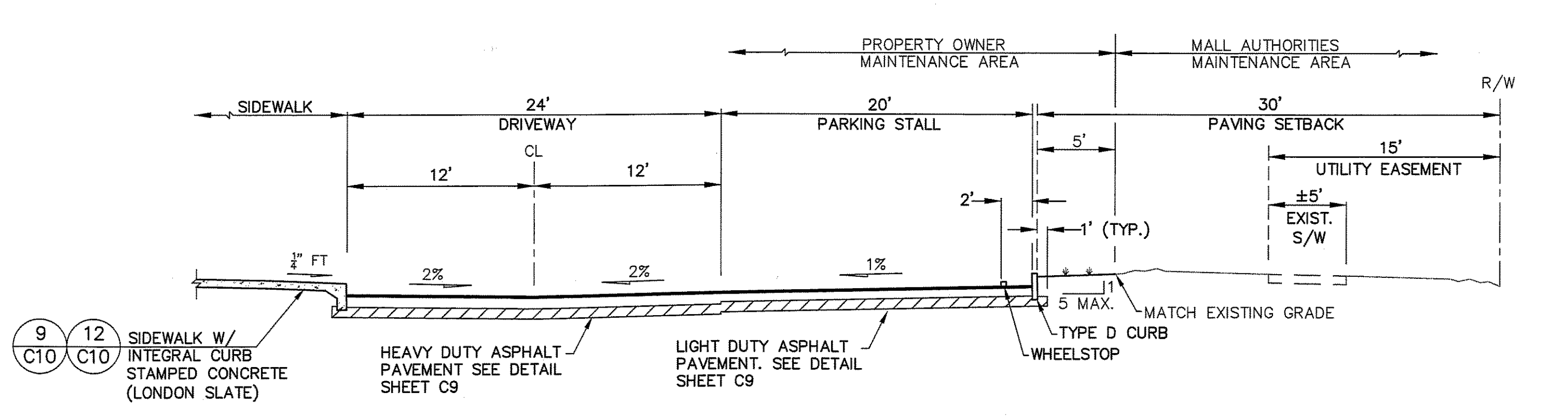
A CROSS SECTION A-A
C6 N.T.S.



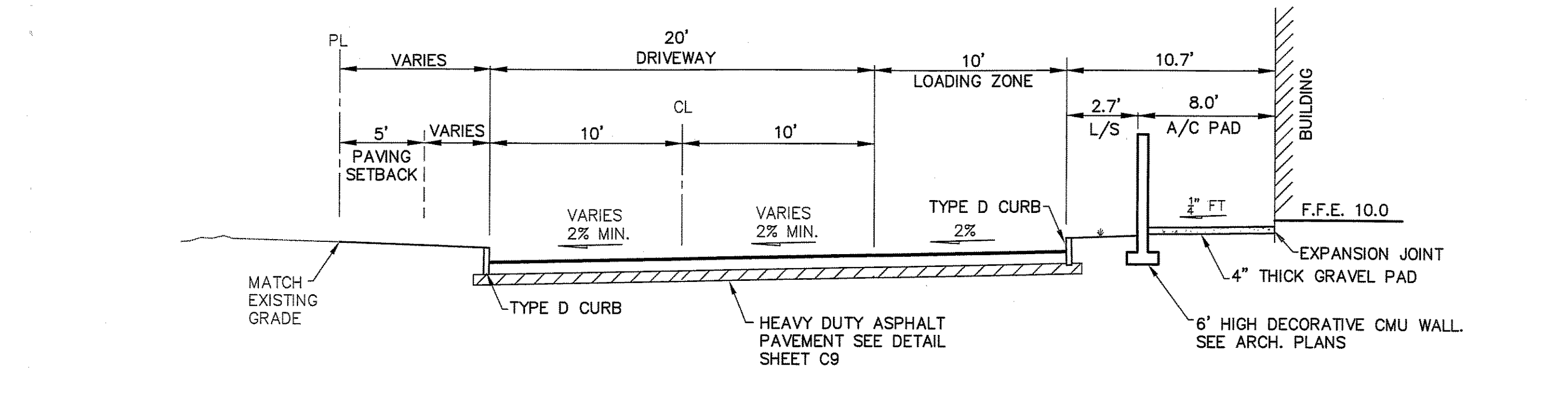
B CROSS SECTION B-B
C6 N.T.S.



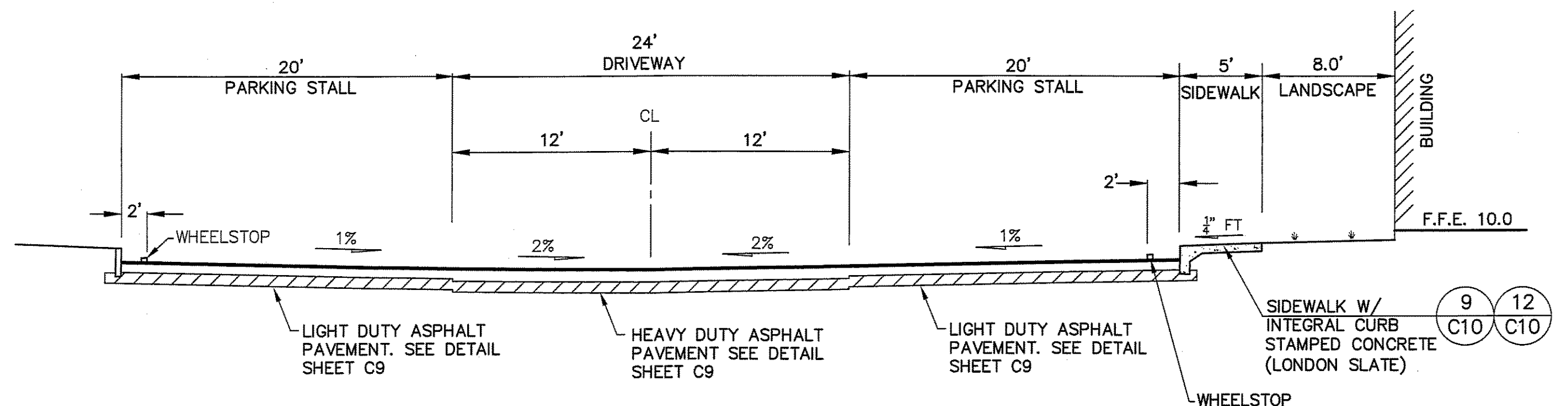
C CROSS SECTION C-C
C6 N.T.S.



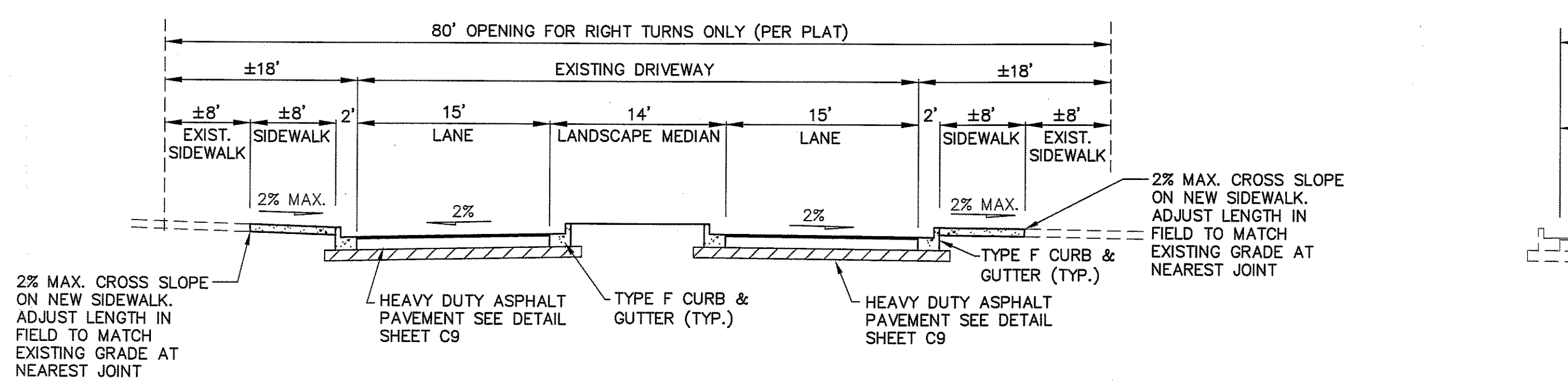
D CROSS SECTION D-D
C6 N.T.S.



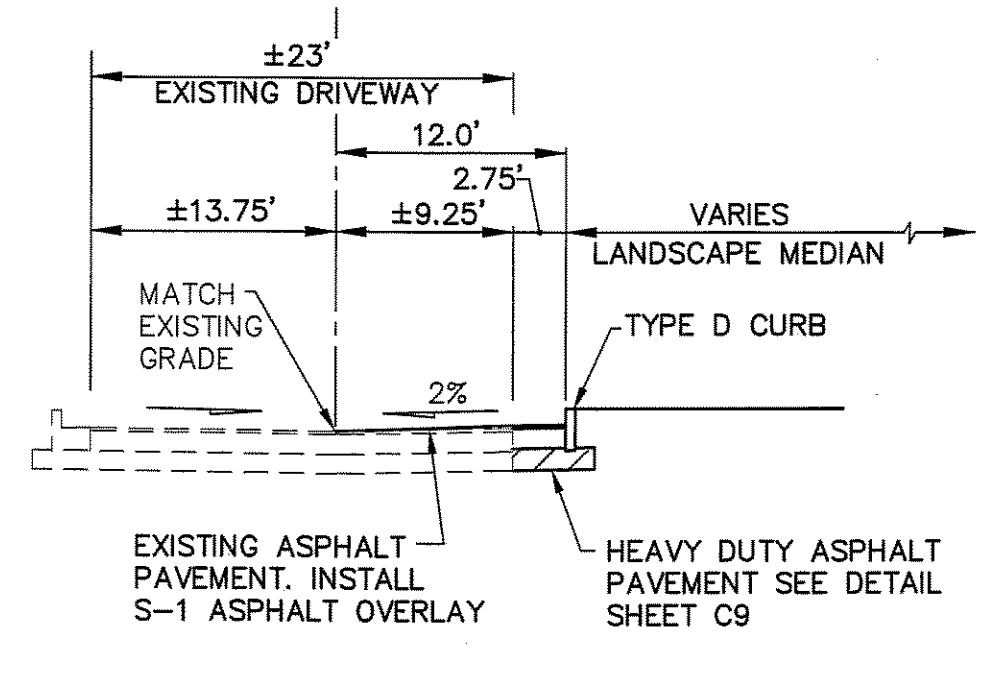
E CROSS SECTION E-E
C6 N.T.S.



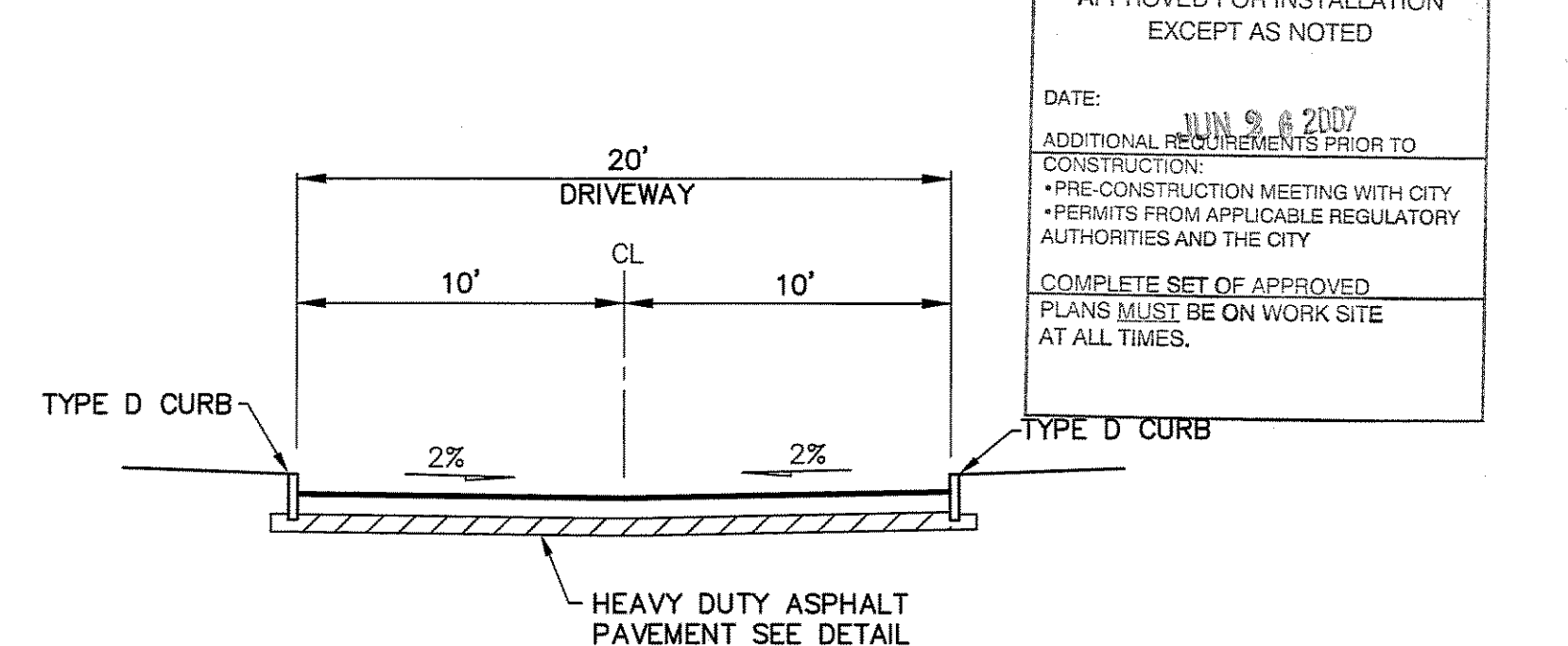
F CROSS SECTION F-F
C6 N.T.S.



G CROSS SECTION G-G
C6 N.T.S.



H CROSS SECTION H-H
C6 N.T.S.



J CROSS SECTION J-J
C6 N.T.S.

CITY OF SUNRISE
PLANNING & DEVELOPMENT DEPT.
FINAL PLANS
APPROVED FOR INSTALLATION
EXCEPT AS NOTED
DATE: JUN 9 2007
ADDITIONAL REQUIREMENTS PRIOR TO CONSTRUCTION:
• PRE-CONSTRUCTION MEETING WITH CITY
• PERMITS FROM APPLICABLE REGULATORY AUTHORITIES AND THE CITY
COMPLETE SET OF APPROVED PLANS MUST BE ON WORK SITE AT ALL TIMES.

REVISIONS	BY

DRMP
ENGINEERS - SURVEYORS - PLANNERS - SCIENTISTS
1505 East Colonial Drive - Orlando, Florida 32803
Phone: 407.896.0594 Fax: 407.896.4836
Florida Certificate of Authorization No. 2048

WARNING
IF THIS BAR DOES NOT MEASURE 1" THIS DOCUMENT IS NOT TO SCALE

JUN 9 2007
JOHN C. KELLY, P.E.
FLORIDA P.E. #44011

ABC LIQUORS, INC.
8880 S. ORANGE AVE. - ORLANDO, FLA. 32824
ABC FINE WINE & SPIRITS STORE #50
SAWGRASS MILLS, NORTH FLAMINGO ROAD, SUNRISE, FLORIDA

CROSS SECTIONS

DRAWN:	CKS
CHECKED:	LJK
DATE:	OCT. 2006
SCALE:	AS NOTED
JOB No:	05-0344.000
SHEET:	C13