

1 PHOTOMETRICS PLAN
SCALE: 1" = 30'-0"

Symbol	Label	Qty	Catalog Number	Description	Lamp	File	Lumens	LLF	Watts
□	TYPE SL-A	4	KAD 320M SR3	AREA LIGHT WITH HIGH PERFORMANCE SR3 OPTICS, CLEAR FLAT GLASS.	ONE 320-WATT CLEAR ED-28 METAL HALIDE, HORIZONTAL POSITION.	KAD320MSR3.les	29700	1.00	368
□	TYPE SL-B	10	KAD 320M SR3	AREA LIGHT WITH HIGH PERFORMANCE SR3 OPTICS, CLEAR FLAT GLASS.	ONE 320-WATT CLEAR ED-28 METAL HALIDE, HORIZONTAL POSITION.	KAD320MSR3.les	29700	1.00	736
□	TYPE SL-C	8	TWR2 250M	GENERAL PURPOSE BUILDING MOUNTED LUMINAIRE, 250W MH, W/ CLEAR LAMP.	ONE 250-WATT CLEAR ED-28 METAL HALIDE, HORIZONTAL POSITION.	WALL250M.les	20000	1.00	297

STATISTICS						
Description	Symbol	Avg	Max	Min	Max/Min	Avg/Min
SITE ZONE	+	3.3 fc	25.6 fc	0.0 fc	N/A	N/A
Site Zone # 1 PARKING AREA	X	5.6 fc	13.8 fc	1.5 fc	9.2:1	3.7:1

FACTORS: MULTIPLIER = 1 BALLAST = 1 BALLAST-LAMP = 1
NUMBER OF VERTICAL ANGLES = 37 0 TO 90 DEGREES
NUMBER OF HORIZONTAL ANGLES = 36 0 TO 180 DEGREES

2 SITE LIGHTING PLAN
SCALE: 1" = 30'-0"

3 PARKING LOT POLE DETAIL
NO SCALE 14 REQUIRED

REVISIONS	BY
ARC REVIEW 9-07-05	CKS
CITY REVIEW REV. 1-14-06	MCM
CITY REVIEW REV. 5-02-06	CKS
LIGHT LEVEL REV. 10-16-07	MCM

DRMP
ENGINEERS • SURVEYORS • PLANNERS • SCIENTISTS

1505 East Colonial Drive - Orlando, Florida 32803
Phone: 407.896.0594 Fax: 407.896.4836
Florida Certificate of Authorization No. 2648

Dyer, Riddle, Mills, & Precourt, Inc.

WARNING: IF THIS BAR DOES NOT MEASURE 1/2" IN THIS DOCUMENT, IT IS NOT TO SCALE.

JAN 17 2008

CHUCK KELLY, P.E.
FLORIDA P.E. #4101

ABC LIQUORS, INC.
8889 S. ORANGE AVE. - ORLANDO, FLA. 32824

ABC FINE WINE & SPIRITS STORE #50
SAWGRASS MILLS, NORTH FLAMINGO ROAD, SUNRISE, FLORIDA

REVISIONS

DATE: **Sept. 2, 2005**

SCALE: AS NOTED

JOB No: 05-0394.000

SHEET: **C7**

SITE LIGHTING AND PHOTOMETRICS

CITY OF SUNRISE
PLANNING & DEVELOPMENT DEPT.

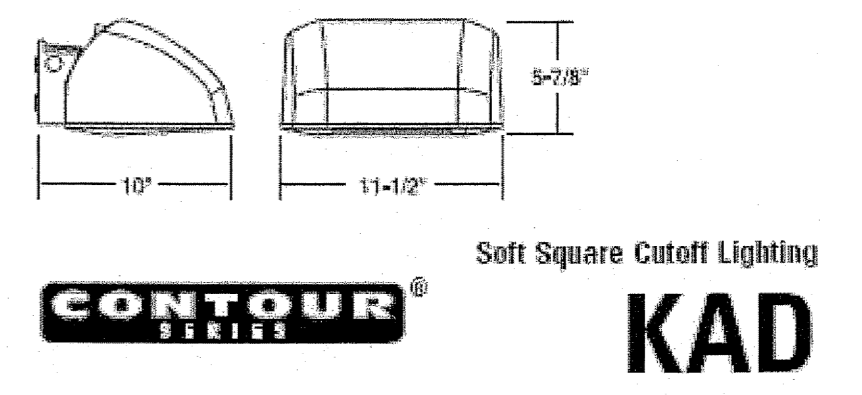
REVISED FINAL PLANS
APPROVED FOR INSTALLATION EXCEPT AS NOTED

DATE: **FEB 9 2008**

ADDITIONAL REQUIREMENTS PRIOR TO CONSTRUCTION:
- PRE-CONSTRUCTION MEETING WITH CITY AUTHORITIES AND THE CITY
- PERMITS FROM APPLICABLE REGULATORY AUTHORITIES AND THE CITY

COMPLETE SET OF APPROVED PLANS MUST BE ON WORK SITE AT ALL TIMES.

FloodPak Series FPS TECHNICAL INFORMATION



CONTOUR KAD

METAL HALIDE
100W, 150W, 175W, 200W, 250W, 320W, 350W, 400W
20' to 35' Mounting

Standard Dimensions
EPA: 1.2 ft²
Weight: 41 lbs (18.6 kg)
Length: 17-1/2" (44.5 cm)
Width: 17-1/2" (44.5 cm)
Depth: 7-1/8" (18.1 cm)