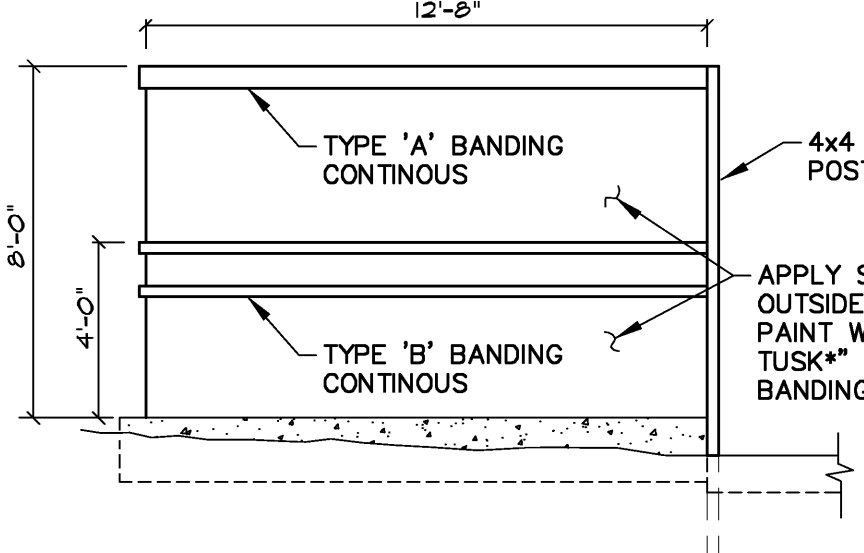
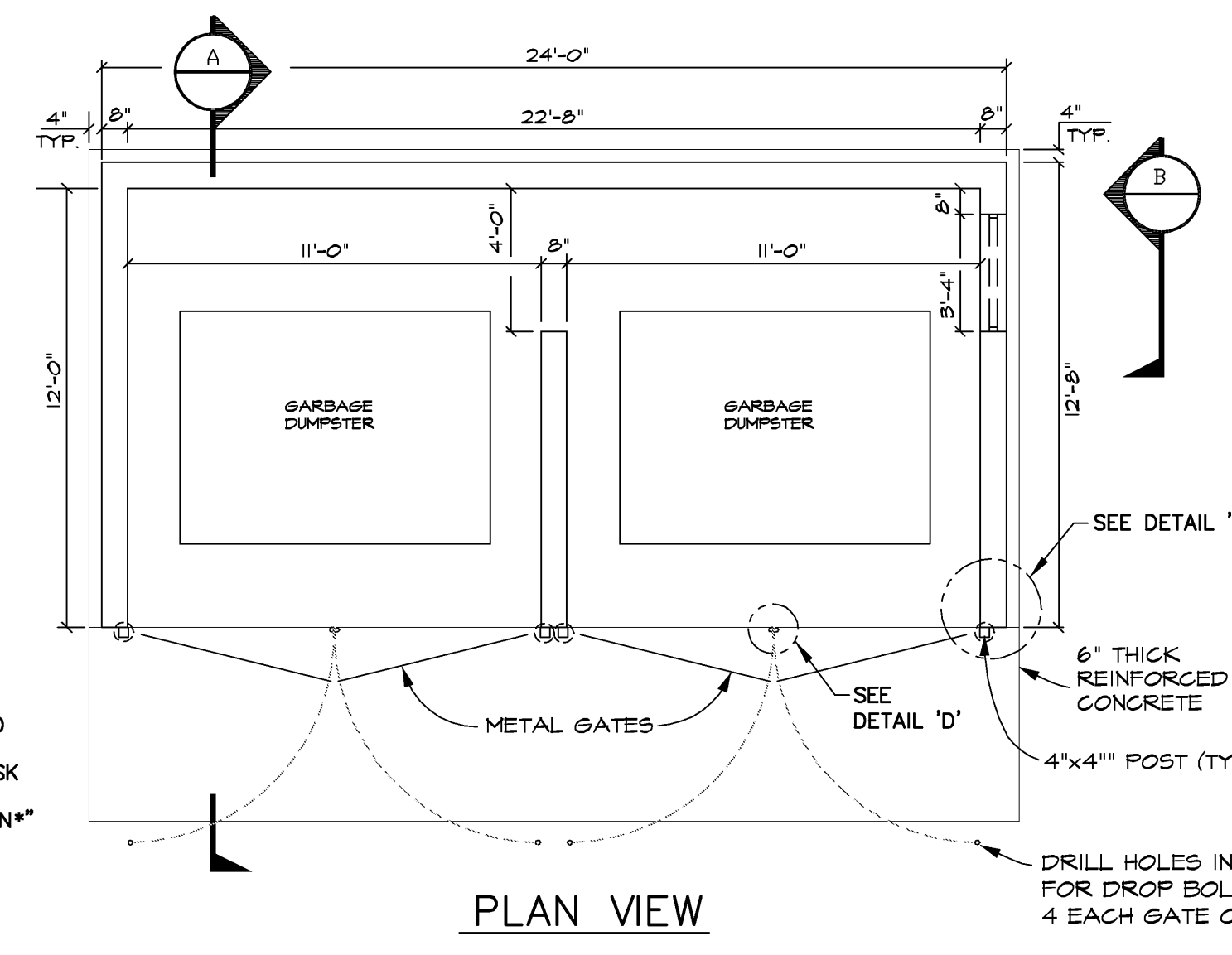


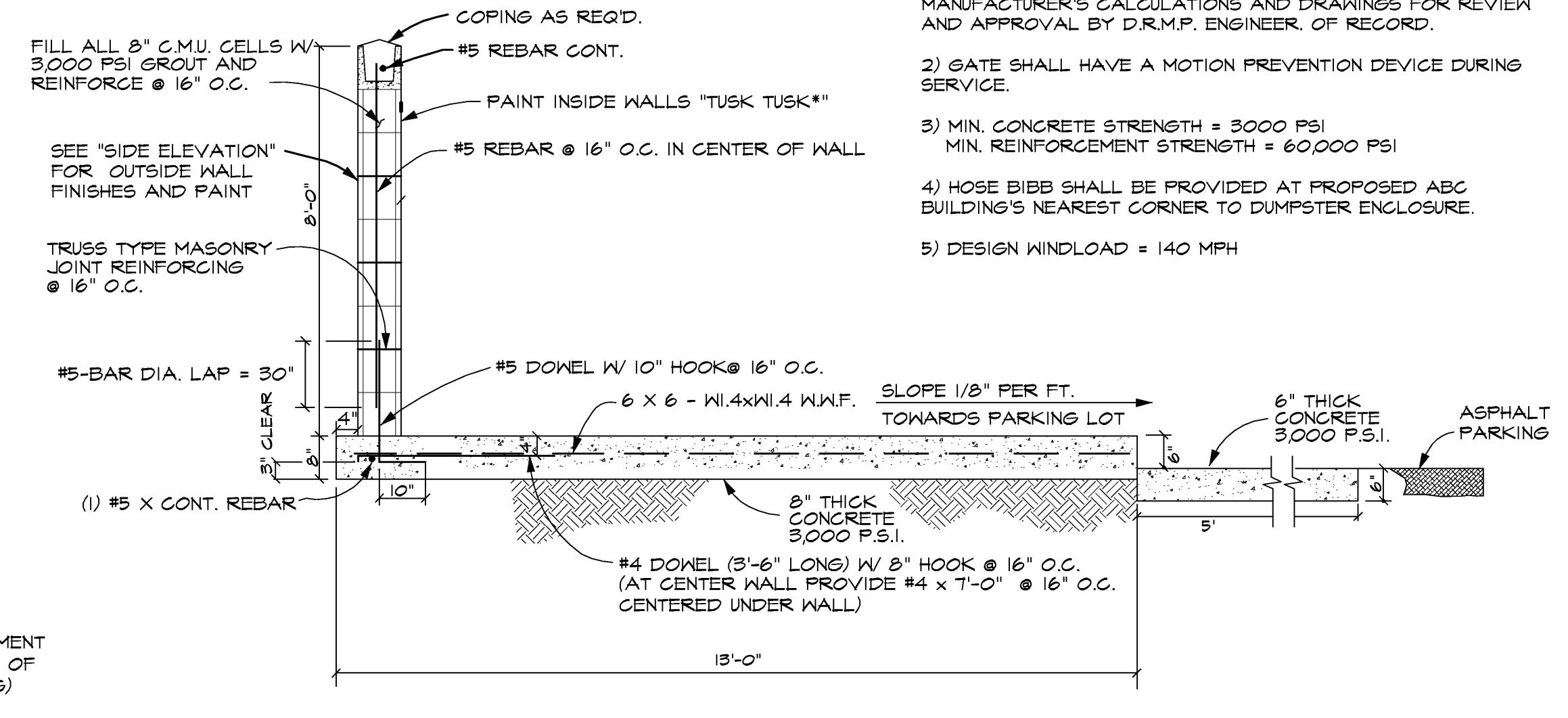
BANDING NOTES:
 1) THESE ARE CRITICAL DIMENSIONS AND SHALL NOT VARY
 2) BANDING TO BE APPLIED AFTER WALL IS STUCCOED.
 3) ALL STUCCO STOPS SHALL BE VINYL (PLASTIC), NO MTL.



SIDE ELEVATION



PLAN VIEW

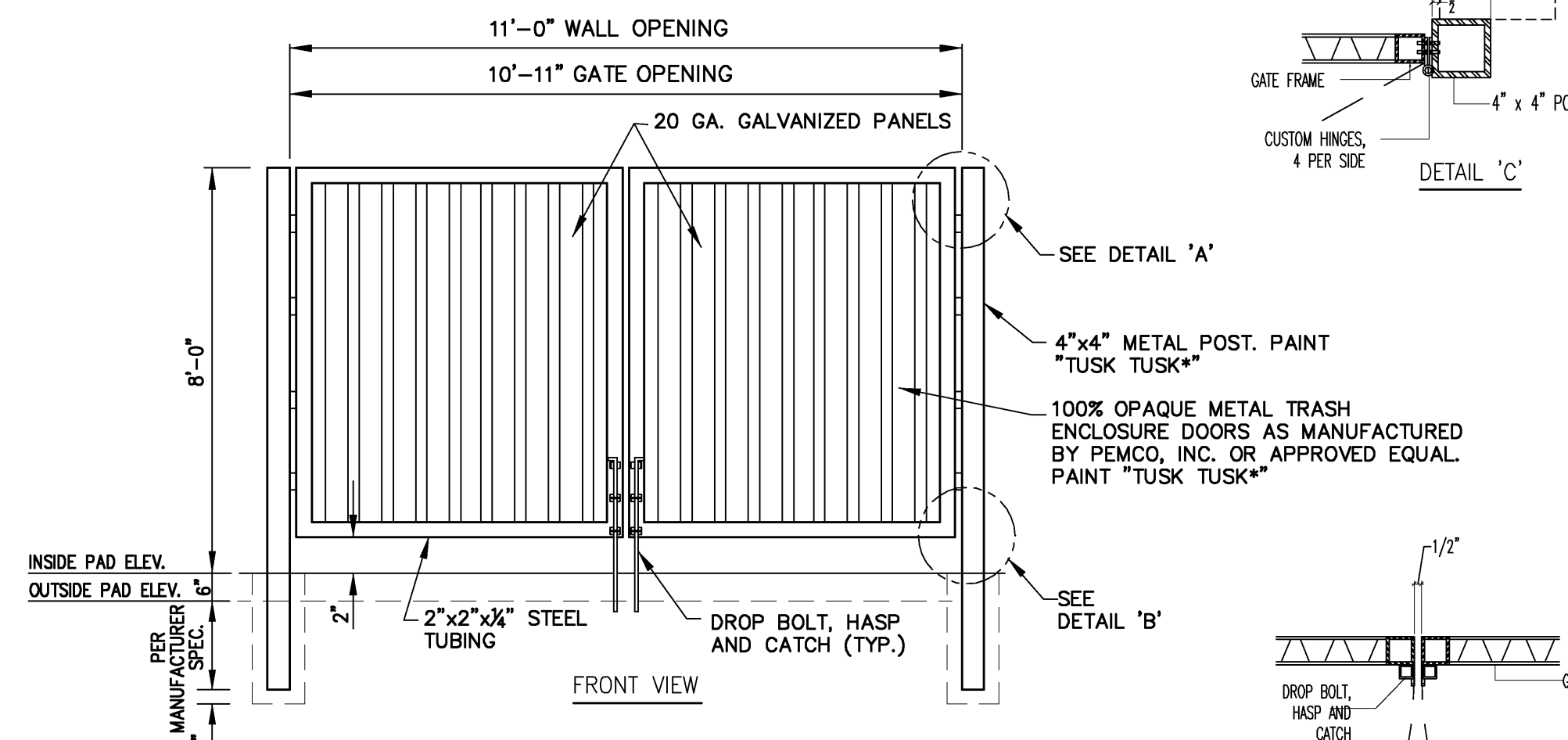


DUMPSTER PAD/WALL DETAIL - SECTION A

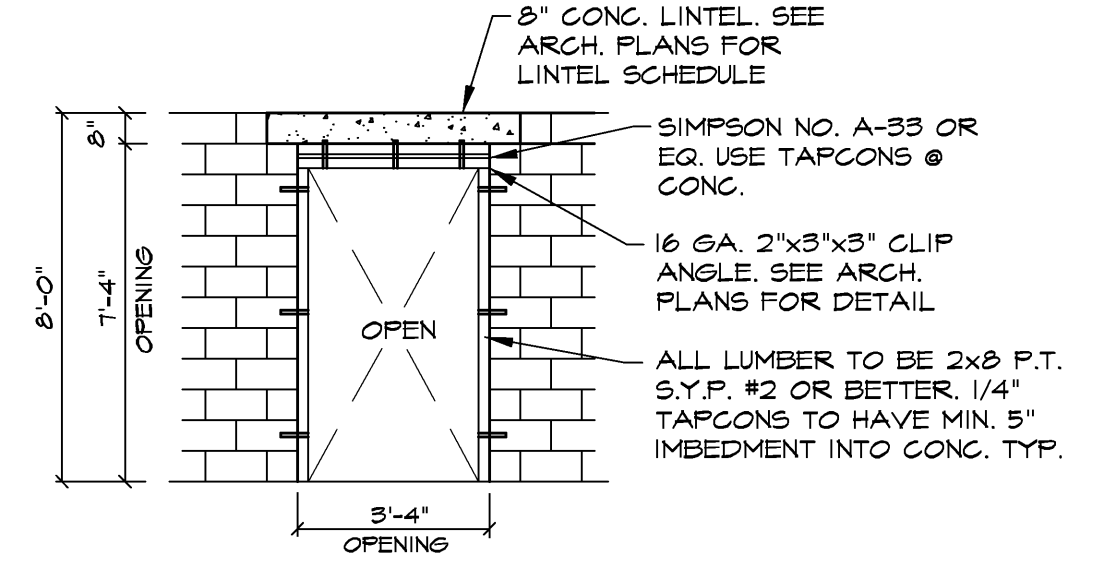
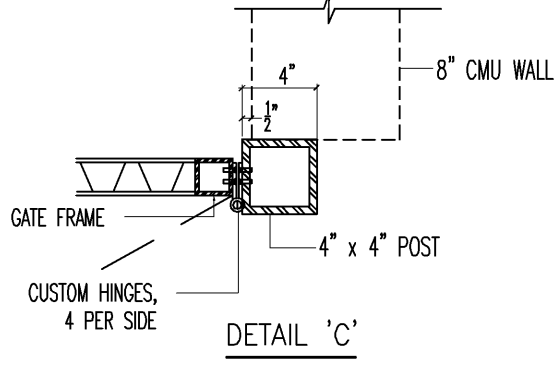
- NOTES:
- 1) GATE, GATE HARDWARE, GATE MOUNTING POSTS, MANDOR AND MANDOR HARDWARE SHALL BE DESIGNED FOR 140 M.P.H. KIND (EXPOSURE C). CONTRACTOR SHALL SUBMIT MANUFACTURER'S CALCULATIONS AND DRAWINGS FOR REVIEW AND APPROVAL BY D.R.M.P. ENGINEER, OF RECORD.
 - 2) GATE SHALL HAVE A MOTION PREVENTION DEVICE DURING SERVICE.
 - 3) MIN. CONCRETE STRENGTH = 3000 PSI
MIN. REINFORCEMENT STRENGTH = 60,000 PSI
 - 4) HOSE BIBB SHALL BE PROVIDED AT PROPOSED ABC BUILDING'S NEAREST CORNER TO DUMPSTER ENCLOSURE.
 - 5) DESIGN WINDLOAD = 140 MPH

1 DUMPSTER ENCLOSURE
NO SCALE

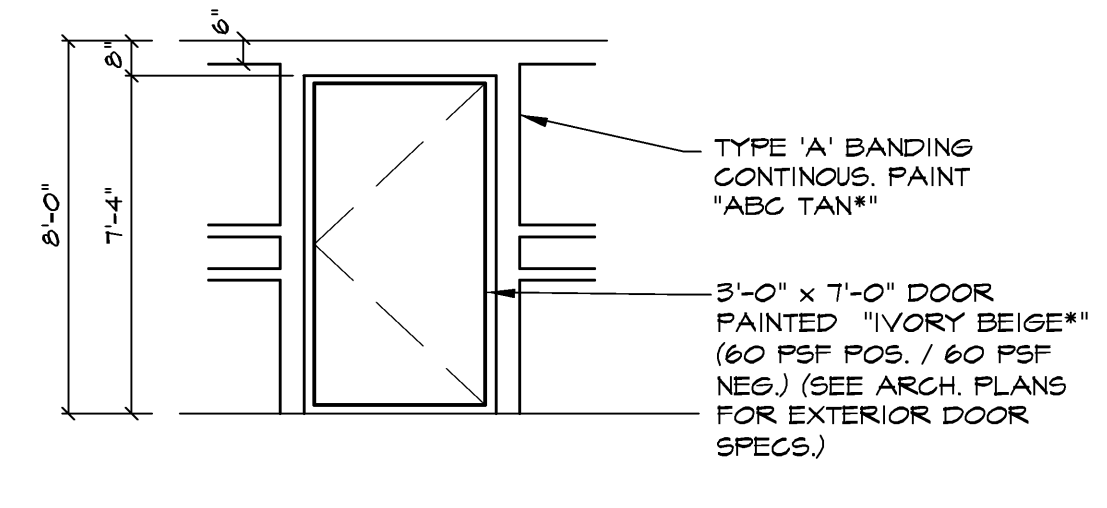
(*) PAINT COLORS ARE DEFINED IN ARCH. PLANS.



METAL GATES
N.T.S.

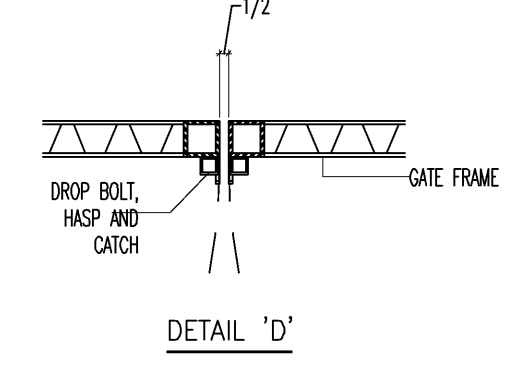


STRUCTURAL ELEVATION



FINISH ELEVATION

MAN DOOR - SECTION B
N.T.S.



REVISIONS	BY
△ CITY ENG. COMMENTS	CKS

DRMP
 ENGINEERS - SURVEYORS - PLANNERS - SCIENTISTS
 1505 East Colonial Drive - Orlando, Florida 32803
 Phone: 407.896.0594 Fax: 407.896.4836
 Florida Certificate of Authorization No. 2648

Dyer, Riddle, Mills, & Precourt, Inc.

WARNING: IF THIS BAR DOES NOT MEASURE 1/8" THIS COPY OF THIS DRAWING IS NOT TO SCALE

JOHN C. KELLY, P.E.
FLORIDA P.E. #44011

ABC LIQUORS, INC.
 8889 S. ORANGE AVE. - ORLANDO, FLA. 32824
ABC FINE WINE & SPIRITS STORE #50
 SAWGRASS MILLS, NORTH FLAMINGO ROAD, SUNRISE, FLORIDA

DRAWN:	CKS
CHECKED:	JCK
DATE:	OCT. 2006
SCALE:	AS NOTED
JOB No.:	05-0394.000

SHEET: **09**

DUMPSTER ENCLOSURE DETAILS