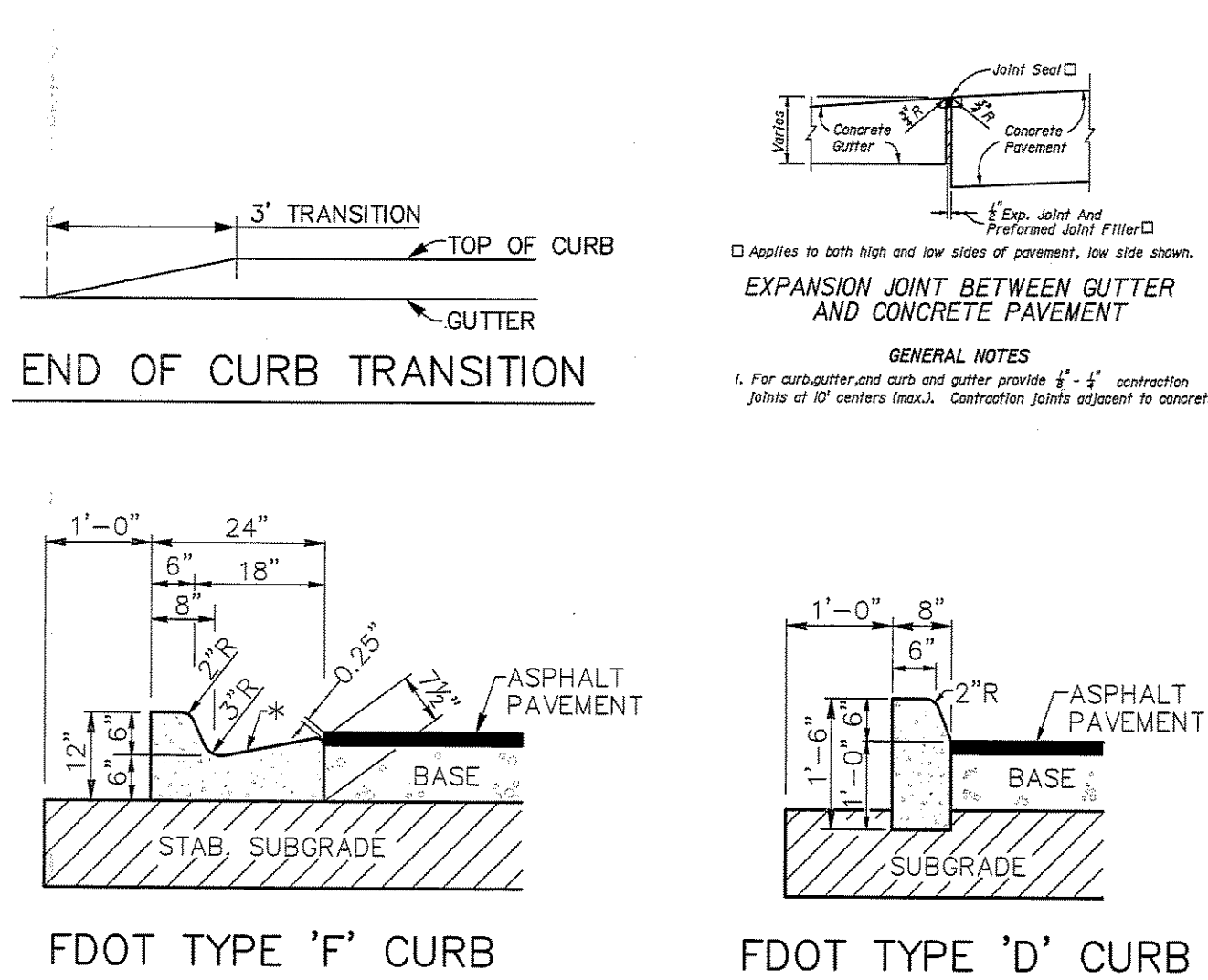


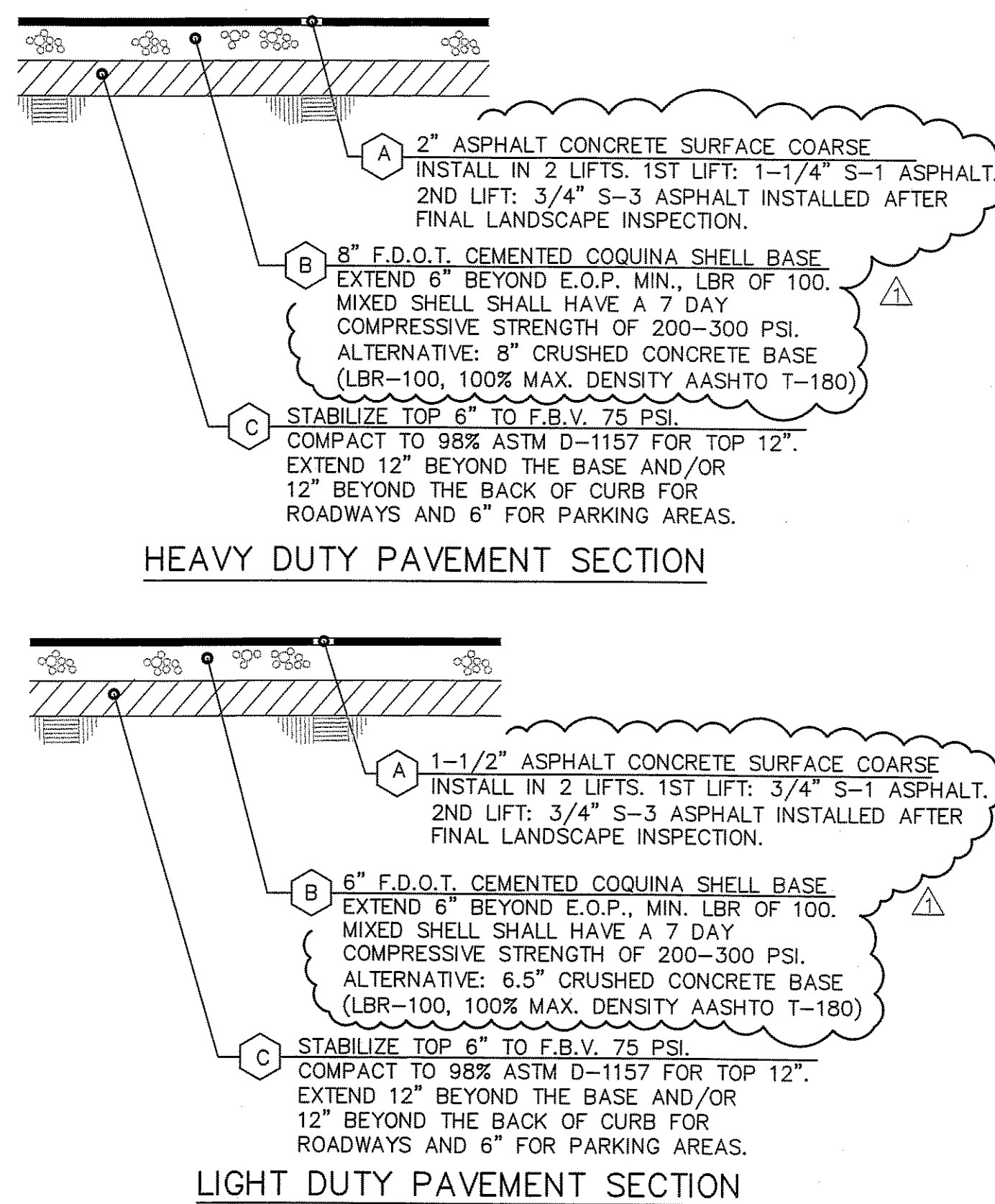
REMOVED DUMPSTER ENCLOSURE DETAILS



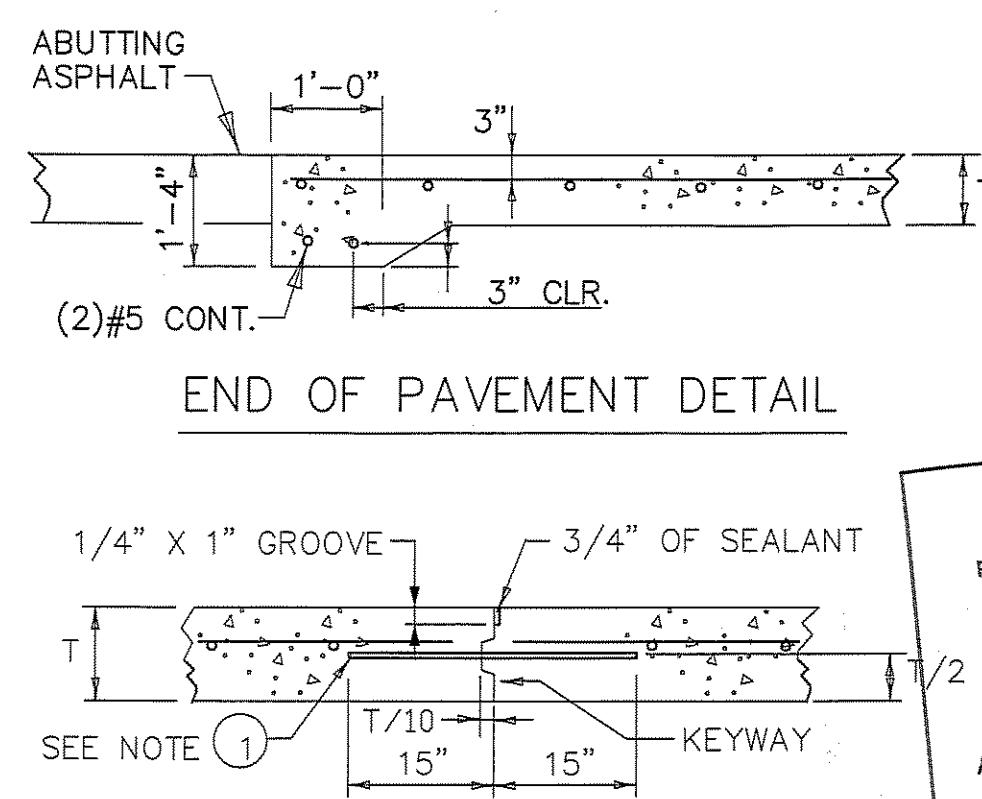
NOTES:

- See F.D.O.T. Index No. 300 for additional details.
- The pavement surface on low pavement edge is to be 1/4" above the lip of the gutter. The pavement surface on the high pavement edge is to be flush with the gutter.
- 1/8"-1/4" construction joints at 10' centers maximum are to be provided.
- A 1/2" expansion joint is required between concrete pavement and curbs and/or gutters.
- Minimum 3,000 psi. fibermesh concrete to be used for curbs and/or gutters.

2 F.D.O.T. CURB DETAILS
N.T.S. FDOT INDEX NO. 300



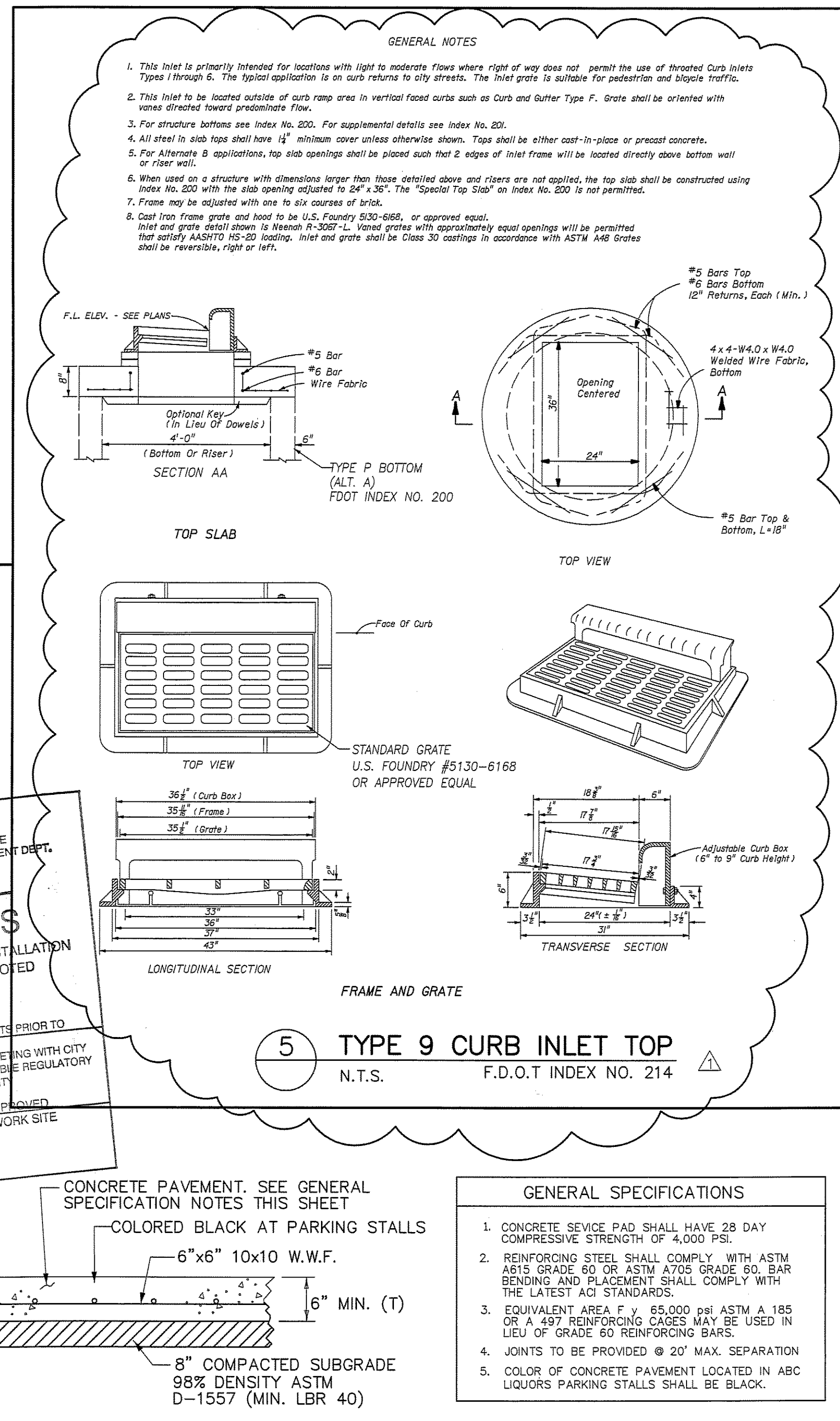
3 TYPICAL ASPHALT SECTIONS
N.T.S.



NOTES:

1. BARS SHALL BE #5 DEFORMED REBARS. @ 24" O.C.

CONCRETE PAVEMENT DETAILS
N.T.S. NOTE: DIMENSION T = 6"



CONCRETE PAVEMENT DETAIL

REVISIONS	BY
CITY ENG. COMMENTS	CKS

DRMP
ENGINEERS • SURVEYORS • PLANNERS • SCIENTISTS

1505 East Colonial Drive - Orlando, Florida 32803
Phone: 407.896.0594 Fax: 407.896.4836
Florida Certificate of Authorization No. 2648

Dyer, Riddle, Mills, & Precourt, Inc.

WARNING
IF THIS BAR DOES NOT HAVE THIS COPY OF THIS DOCUMENT IS NOT TO SCALE

JUN 9 2007
JOHN C. KELLY, P.E. #44011

ABC LIQUORS, INC.
8888 S. ORANGE AVE. - ORLANDO, FLA. 32824

ABC FINE WINE & SPIRITS STORE #50
SAWGRASS MILLS, NORTH FLAMINGO ROAD, SUNRISE, FLORIDA

PAVING AND DRAINAGE DETAILS

DRAWN: CKS
CHECKED: JCK
DATE: OCT. 2006
SCALE: AS NOTED
JOB No: 05-0944.000
SHEET: 09