

2 MANAGER STAND DETAIL
A-T SCALE: N.T.S.

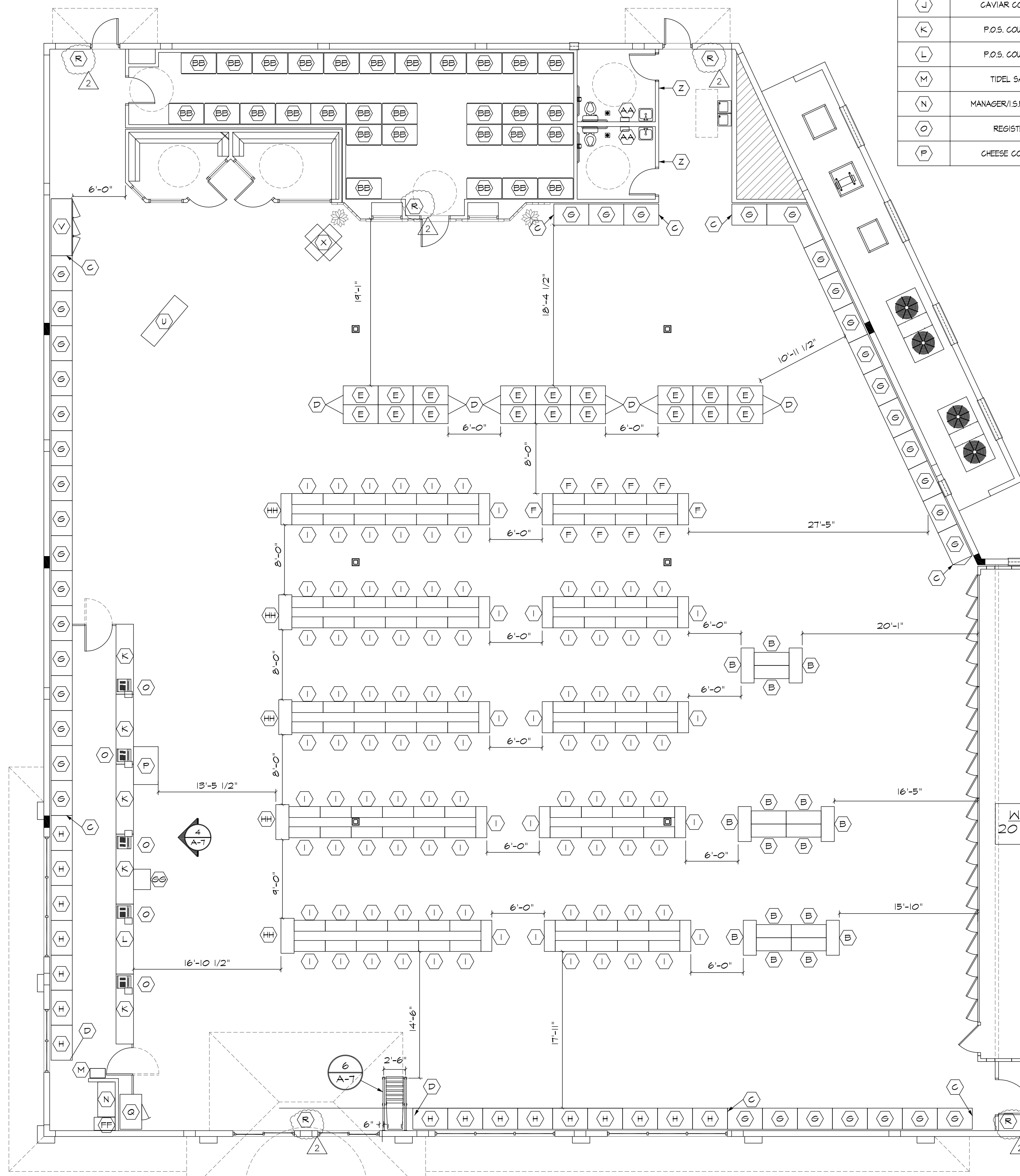
3 PL. LAMINATE POS
A-T SCALE: 1" = 1'-0"

FURNITURE / EQUIPMENT SCHEDULE

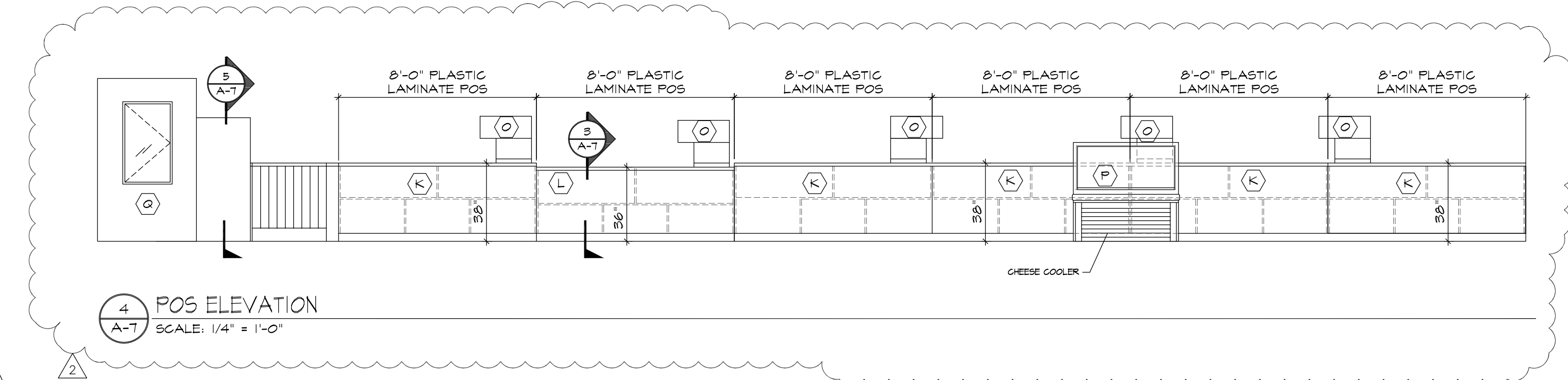
MARK	EQUIPMENT	MANUF.	MODEL #	QTY.	CONTR. NOTE	REMARKS
A	GOURMET FOOD RACK	METRO	18"X48"X 12"	0	G-2	WHITE 5-SHELF
B	GOURMET FOOD RACK	METRO	18"X48"X 12"	16	G-2	WHITE 6-SHELF
C	END PANEL FOR 8' KENT SHELF	ABC		8	G-2	
D	END PANEL FOR 4' KENT SHELF	ABC		14	G-2	
E	FLOOR GONDOLA	ABC	48" L. X 52" W.	18	G-2	
F	15 WIRE WINE RACK		2-TIER	10	G-2	
G	8' KENT SHELF W/ VALANCE	KENT	4'-0" LENGTH	38	G-2	
H	4' KENT SHELF UNDER WINDOW	KENT	4'-0" LENGTH	16	G-2	
I	150 HI WIRE WINE RACK		2-TIER	105	G-2	
J	CAVIAR COOLER	ABC	2' X 3'	0	G-2	
K	P.O.S. COUNTER	ABC	38" HGT. X 8' LEN.	5	G-2	PLASTIC LAM.
L	P.O.S. COUNTER	ABC	36" HGT. X 6' LEN.	1	G-2	PLASTIC LAM.
M	TIDEL SAFE	TIDEL		1	G-2	W/ BASE PLATE
N	MANAGER/ISS. STAND	ABC	46 1/2" HEIGHT, 48" WIDTH, 24" DEPTH	1	G-2	SEE DETAILS THIS SHT.
O	REGISTER	IBM		5	G-2	
P	CHEESE COOLER	KYSOR	SHM-4	1	G-2	48" W X 30 5/8" D X 42 1/8" H 48" W X 21" RETAIL AREA

MARK	EQUIPMENT	MANUF.	MODEL #	QTY.	CONTR. NOTE	REMARKS
Q	ICE MERCH.	LEER	MODEL #40	1	G-2	
R	FIRE EXTING.	KIDDE	5K55	1	G-2	210BC MIN. RATING MTD. W/TOP NOT MORE THAN 5' AND NO LOWER THAN 4' AFF.
S	WALK-IN COOLER	KYSOR	IT ACCESS DOORS 1 SERVICE DOOR	1	G-3	ANTHONY MODEL ELS 101 REACH-IN DOORS
T	ICE CUBER	HOSHIZAKI	KH-13055AH-E B-400 BIN	1	G-2	SELF CONT.
U	GIFT WRAP STATION	ABC	4'-0" X 2'-0"	1	G-2	
V	3 DOOR WINE COOLER	HUSMANN	ARV-01050	1	G-2	79 1/4" H X 66" W X 28 1/8" D
W	FREEZER	HUSMANN	LBF-6	0	G-2	
X	90'S CLUB DISPLAY			1	G-2	
Y	LADDER HATCH	BILCO OR EQUAL	30"X36" HATCH W/ LADDER	0	G-3	LOCATED IN STORAGE ROOM FOR ROOF ACCESS
Z	BRAILED H/C RESTROOM IDENTIFICATION SIGN			2	G-2	MTD. 60" AFF. TO CTR. ON LATCH SIDE OF DOOR
AA	SOAP DISPENSER & PAPER TOWEL DISPENSER			3	G-2	SEE SHEET P-2
BB	VAULT CABINET	ABC	48" X 28 3/8"	30	G-2	FIELD VERIFY ALL DIMS PRIOR TO FABRICATION
CC	VAULT CABINET	ABC	48" X 14 3/16"	0	G-2	FIELD VERIFY ALL DIMS PRIOR TO FABRICATION
DD	RIVET TYPE SHELVING 3-SHELF LEVELS	WEDGE-RIVET	DF2B02-12	26	G-2	12" H X 48" W X 18" D
EE	RIVET TYPE SHELVING 3-SHELF LEVELS	WEDGE-RIVET	DF2B02-12	18	G-2	12" H X 48" W X 24" D
FF	FILE CABINET			1	G-2	TO BE LOCATED NEAR MANAGER STAND
GG	CIGAR HUMIDOR	ABC	23 1/2" X 28"	1	G-3	
HH	150 HI WIRE WINE RACK		3-TIER	5	G-2	

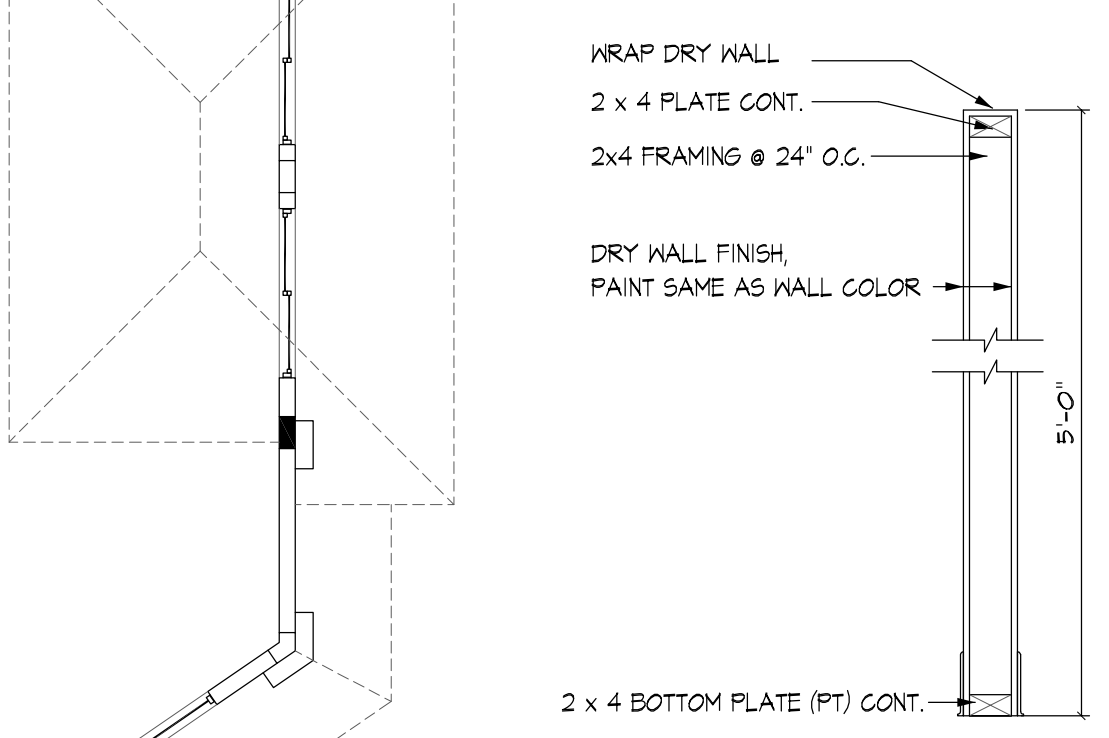
ALL FURNITURE LISTED ABOVE TO BE PROVIDED BY OWNER AND INSTALLED BY CONTRACTOR U.N.O.
NOTE: WALK-IN COOLER TO BE PROVIDED AND INSTALLED BY CONTRACTOR.



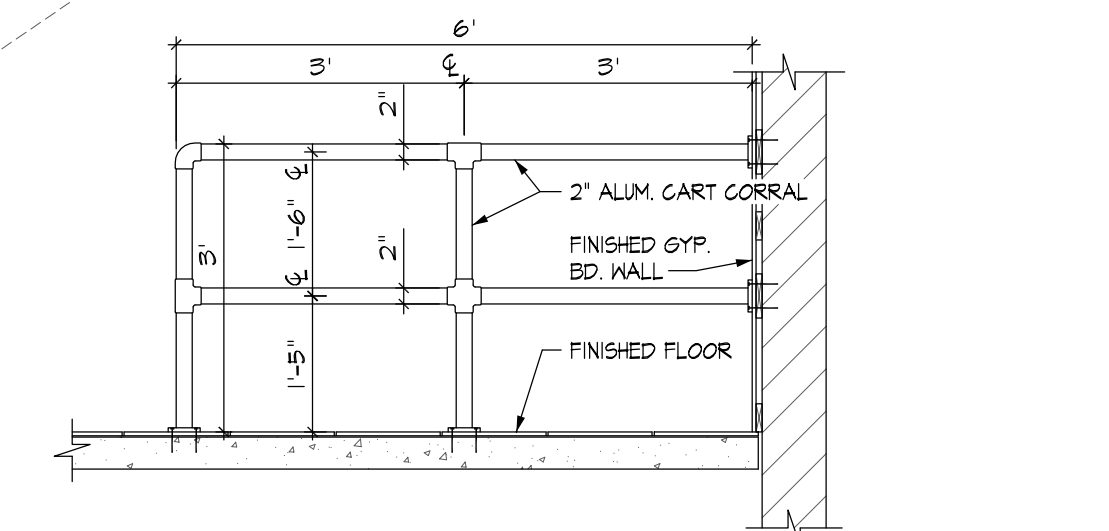
1 FURNITURE PLAN
A-B SCALE: 1/8" = 1'-0"



4 POS ELEVATION
A-T SCALE: 1/4" = 1'-0"



5 MANAGER STAND WALL DETAIL
A-T NOT TO SCALE



6 SHOPPING CART CORRAL DETAIL
A-T SCALE: 1/2" = 1'-0"

REVISIONS BY

NO.	DATE	BY
1		
2		

ARTERBURY ARCHITECTS, INC.
A A 26000718

2400 SAND LAKE ROAD
LONGWOOD, FLORIDA 32779

(407) 774-2233
FAX (407) 774-7377

ABC LIQUORS, INC.
8989 S. ORANGE AVE. - ORLANDO, FLA. 32809

ABC STORE NO. 50
SAWGRASS MILLS, SUNRISE, FLORIDA

DRAWN: R. CARDONA
CHECKED: S. RIVERA
DATE: 5-1-01
SCALE: AS NOTED
JOB No: 50
SHEET

A=7

FURNITURE PLAN