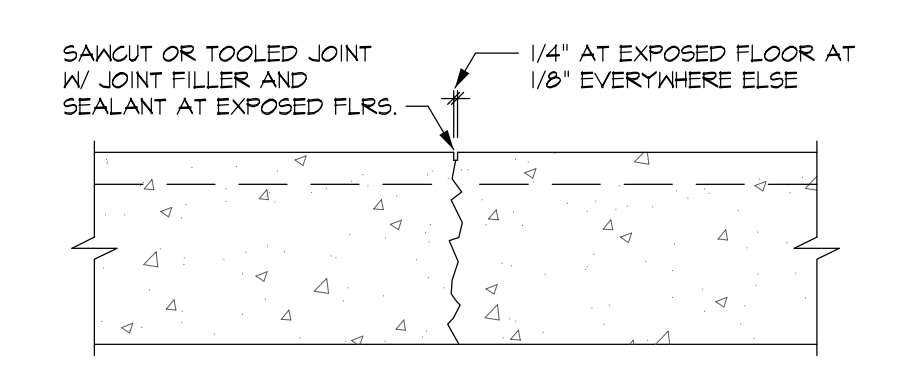
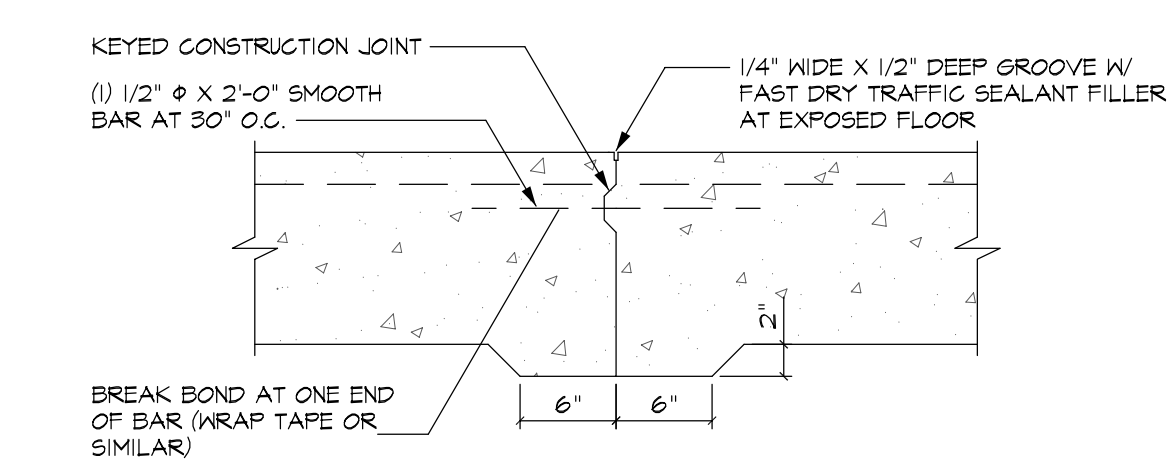


2 TIDEL SAFE DETAIL
SCALE: 3/4" = 1'-0"

4 SECTION @ W.I.B.C.
SCALE: 1" = 1'-0"



A CONSTRUCTION JOINT
SCALE: 1" = 1'-0"

B CONTROL JOINT
SCALE: 1" = 1'-0"

3 TYPICAL SLAB JOINTS
SCALE: 1" = 1'-0"

DESIGN LOADS PER F.B.C. 2004 w/ 2005, 2006 AND 2007 WIND LOAD DESIGN CRITERIA

WIND LOADS PER FBC	140 MPH REGION
ROOF DEAD LOADS	35 PSF
ROOF DEAD LOADS (MANSARD)	30 PSF
ROOF LIVE LOADS	20 PSF
DEAD LOAD FOR UPLIFT CALCS.	12 PSF
BUILDING IMPORTANCE FACTOR	1.0
INTERNAL PRESSURE COEFF (TOTALLY ENCLOSED STRUCTURE)	+ 0.18
BUILDING CATEGORY	II
EXPOSURE	C
COMPONENTS AND CLADDING	SEE ELEVATIONS
BUILDING IS LOCATED IN A WINDBORNE DEBRIS AREA	

FOUNDATION NOTES:

TOP OF FTG. EL.: -1'-4" (TYP.)

ALL P.I.P. CONC. COL. TO BE 8 x 16 UNO. (SEE TC-1)

SEE S-5 FOR MASONRY CONTROL JOINT REQUIREMENTS

ALL MAS. WALLS (LESS OPENINGS) ARE CONSIDERED SHEAR WALLS.

FOOTING NOTES: FOUNDATION DESIGN BASED ON 2500 P.S.F. ALLOWABLE BEARING PRESSURE VERIFY IN FIELD.

MARK	TYPE	SIZE	DEPTH	REINFORCEMENT
1	CONTINUOUS	8" SQUARE	12"	4#4
2	THICKENED EDGE	12" SQUARE	12"	4#4
3	THICKENED EDGE	16" SQUARE	12"	4#4
4	COLUMN PAD	16" SQUARE	12"	4#4
5	CONTINUOUS	8" SQUARE	12"	4#4
6	CONTINUOUS	8" SQUARE	12"	4#4
7	CONTINUOUS	8" SQUARE	12"	4#4
8	CONTINUOUS	8" SQUARE	12"	4#4
9	CONTINUOUS	8" SQUARE	12"	4#4
10	CONTINUOUS	8" SQUARE	12"	4#4
11	CONTINUOUS	8" SQUARE	12"	4#4
12	CONTINUOUS	8" SQUARE	12"	4#4
13	CONTINUOUS	8" SQUARE	12"	4#4
14	CONTINUOUS	8" SQUARE	12"	4#4
15	CONTINUOUS	8" SQUARE	12"	4#4
16	CONTINUOUS	8" SQUARE	12"	4#4
17	CONTINUOUS	8" SQUARE	12"	4#4
18	CONTINUOUS	8" SQUARE	12"	4#4
19	CONTINUOUS	8" SQUARE	12"	4#4
20	CONTINUOUS	8" SQUARE	12"	4#4
21	CONTINUOUS	8" SQUARE	12"	4#4
22	CONTINUOUS	8" SQUARE	12"	4#4
23	CONTINUOUS	8" SQUARE	12"	4#4
24	CONTINUOUS	8" SQUARE	12"	4#4
25	CONTINUOUS	8" SQUARE	12"	4#4
26	CONTINUOUS	8" SQUARE	12"	4#4
27	CONTINUOUS	8" SQUARE	12"	4#4
28	CONTINUOUS	8" SQUARE	12"	4#4
29	CONTINUOUS	8" SQUARE	12"	4#4
30	CONTINUOUS	8" SQUARE	12"	4#4
31	CONTINUOUS	8" SQUARE	12"	4#4
32	CONTINUOUS	8" SQUARE	12"	4#4
33	CONTINUOUS	8" SQUARE	12"	4#4
34	CONTINUOUS	8" SQUARE	12"	4#4
35	CONTINUOUS	8" SQUARE	12"	4#4
36	CONTINUOUS	8" SQUARE	12"	4#4
37	CONTINUOUS	8" SQUARE	12"	4#4
38	CONTINUOUS	8" SQUARE	12"	4#4
39	CONTINUOUS	8" SQUARE	12"	4#4
40	CONTINUOUS	8" SQUARE	12"	4#4
41	CONTINUOUS	8" SQUARE	12"	4#4
42	CONTINUOUS	8" SQUARE	12"	4#4
43	CONTINUOUS	8" SQUARE	12"	4#4
44	CONTINUOUS	8" SQUARE	12"	4#4
45	CONTINUOUS	8" SQUARE	12"	4#4
46	CONTINUOUS	8" SQUARE	12"	4#4
47	CONTINUOUS	8" SQUARE	12"	4#4
48	CONTINUOUS	8" SQUARE	12"	4#4
49	CONTINUOUS	8" SQUARE	12"	4#4
50	CONTINUOUS	8" SQUARE	12"	4#4
51	CONTINUOUS	8" SQUARE	12"	4#4
52	CONTINUOUS	8" SQUARE	12"	4#4
53	CONTINUOUS	8" SQUARE	12"	4#4
54	CONTINUOUS	8" SQUARE	12"	4#4
55	CONTINUOUS	8" SQUARE	12"	4#4
56	CONTINUOUS	8" SQUARE	12"	4#4
57	CONTINUOUS	8" SQUARE	12"	4#4
58	CONTINUOUS	8" SQUARE	12"	4#4
59	CONTINUOUS	8" SQUARE	12"	4#4
60	CONTINUOUS	8" SQUARE	12"	4#4
61	CONTINUOUS	8" SQUARE	12"	4#4
62	CONTINUOUS	8" SQUARE	12"	4#4
63	CONTINUOUS	8" SQUARE	12"	4#4
64	CONTINUOUS	8" SQUARE	12"	4#4
65	CONTINUOUS	8" SQUARE	12"	4#4
66	CONTINUOUS	8" SQUARE	12"	4#4
67	CONTINUOUS	8" SQUARE	12"	4#4
68	CONTINUOUS	8" SQUARE	12"	4#4
69	CONTINUOUS	8" SQUARE	12"	4#4
70	CONTINUOUS	8" SQUARE	12"	4#4
71	CONTINUOUS	8" SQUARE	12"	4#4
72	CONTINUOUS	8" SQUARE	12"	4#4
73	CONTINUOUS	8" SQUARE	12"	4#4
74	CONTINUOUS	8" SQUARE	12"	4#4
75	CONTINUOUS	8" SQUARE	12"	4#4
76	CONTINUOUS	8" SQUARE	12"	4#4
77	CONTINUOUS	8" SQUARE	12"	4#4
78	CONTINUOUS	8" SQUARE	12"	4#4
79	CONTINUOUS	8" SQUARE	12"	4#4
80	CONTINUOUS	8" SQUARE	12"	4#4
81	CONTINUOUS	8" SQUARE	12"	4#4
82	CONTINUOUS	8" SQUARE	12"	4#4
83	CONTINUOUS	8" SQUARE	12"	4#4
84	CONTINUOUS	8" SQUARE	12"	4#4
85	CONTINUOUS	8" SQUARE	12"	4#4
86	CONTINUOUS	8" SQUARE	12"	4#4
87	CONTINUOUS	8" SQUARE	12"	4#4
88	CONTINUOUS	8" SQUARE	12"	4#4
89	CONTINUOUS	8" SQUARE	12"	4#4
90	CONTINUOUS	8" SQUARE	12"	4#4
91	CONTINUOUS	8" SQUARE	12"	4#4
92	CONTINUOUS	8" SQUARE	12"	4#4
93	CONTINUOUS	8" SQUARE	12"	4#4
94	CONTINUOUS	8" SQUARE	12"	4#4
95	CONTINUOUS	8" SQUARE	12"	4#4
96	CONTINUOUS	8" SQUARE	12"	4#4
97	CONTINUOUS	8" SQUARE	12"	4#4
98	CONTINUOUS	8" SQUARE	12"	4#4
99	CONTINUOUS	8" SQUARE	12"	4#4
100	CONTINUOUS	8" SQUARE	12"	4#4

1 FOUNDATION PLAN
SCALE: 1/8" = 1'-0"

REVISIONS BY

BUILDING DEPT.	MCM
REV. 5-14-08	

731 E. HIGHWAY 50
CLERMONT, FLORIDA
34711

PHONE: (352)242-0100
FAX: (352)242-0302

**Lindemann
Bentzon
Bojack**

ENGINEERING DESIGN INSPECTION

ABC LIQUORS, INC.

8989 S. ORANGE AVE. - ORLANDO, FLA. 32809

ABC STORE NO. 50

SAWGRASS MILLS, SUNRISE, FLORIDA

FOUNDATION PLAN

1 S-1

DRAWN:	R. CARDONA
CHECKED:	S. RIVERA
DATE:	5-1-07
SCALE:	AS NOTED
JOB No:	50
SHEET	