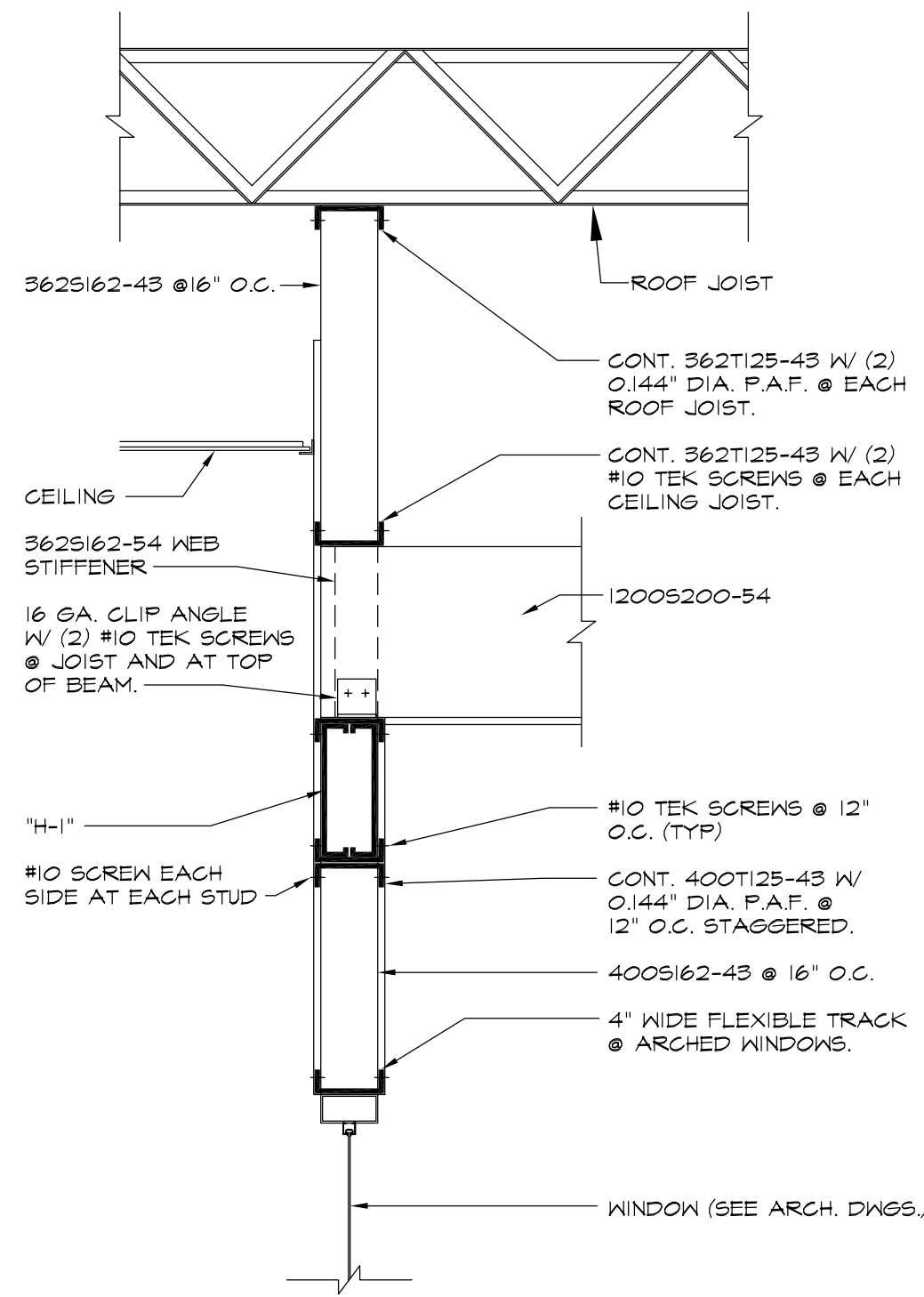
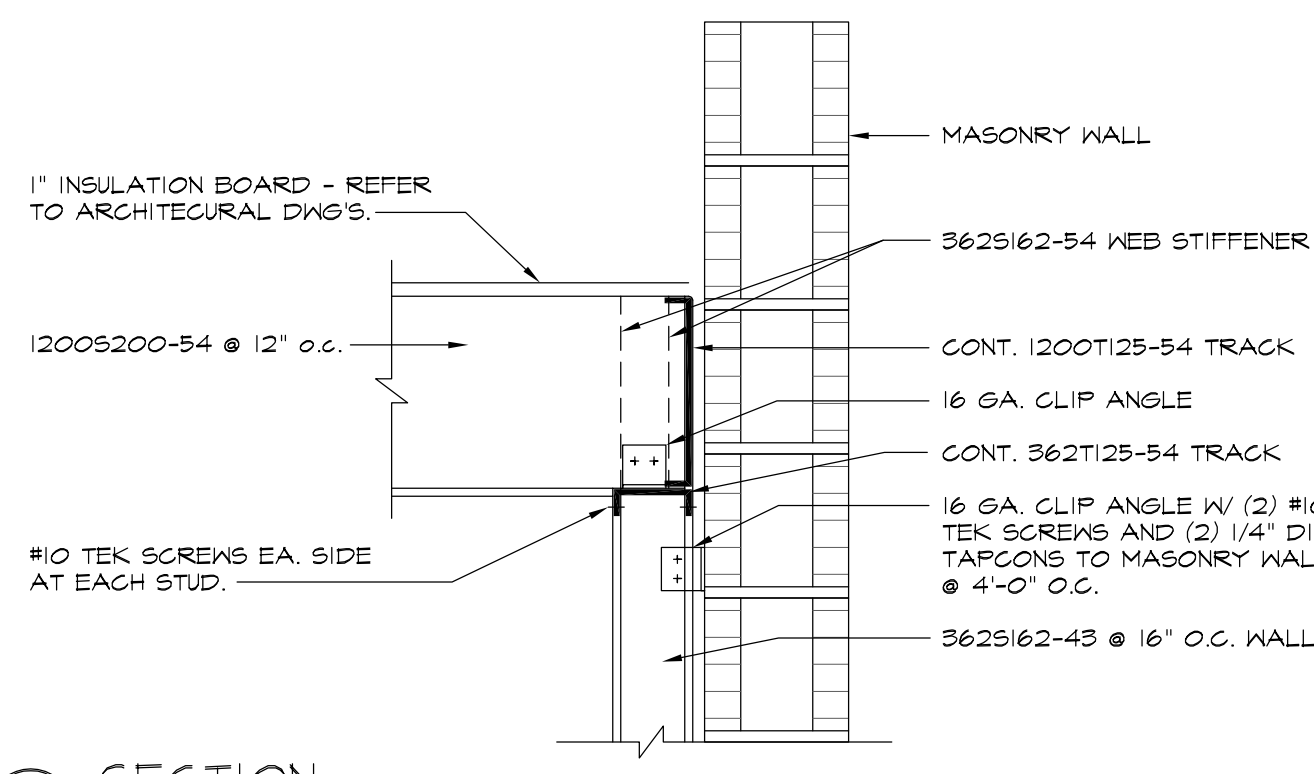


**A** SECTION  
SCALE: 1" = 1'-0"



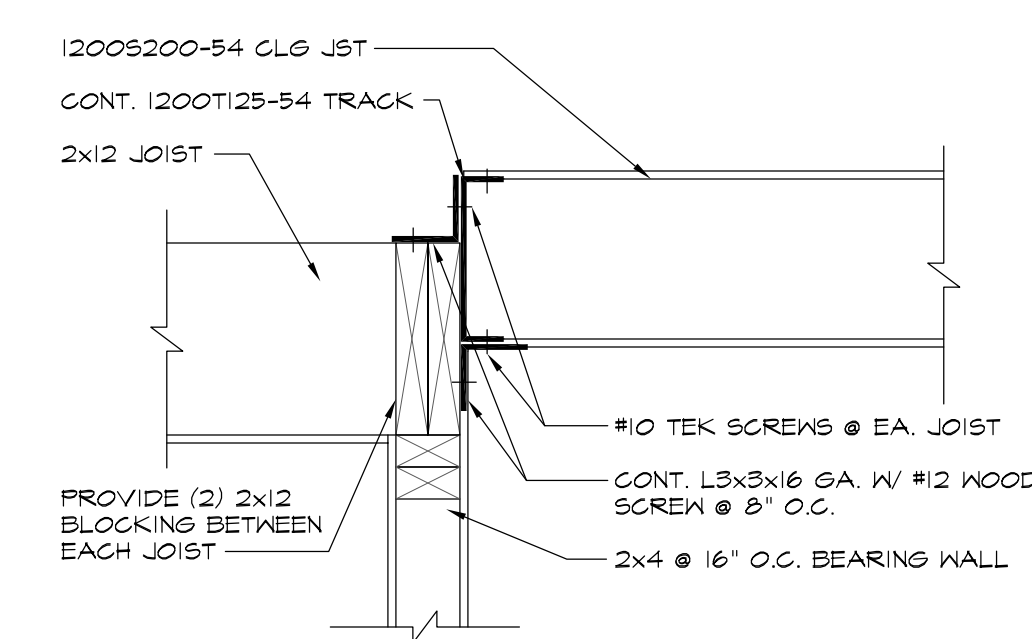
**B** SECTION  
SCALE: 1" = 1'-0"



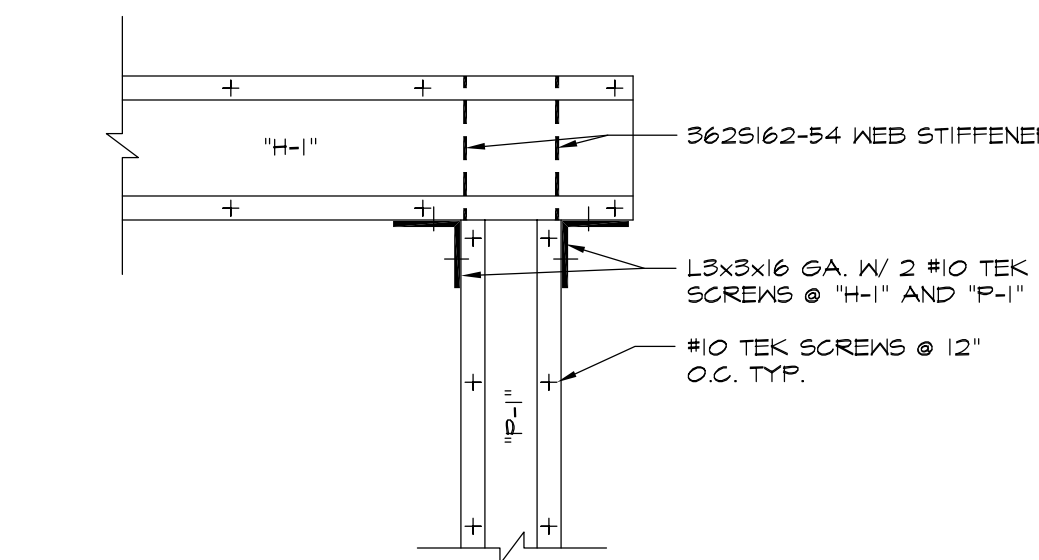
**E** SECTION  
SCALE: 1" = 1'-0"

**NOTES:**

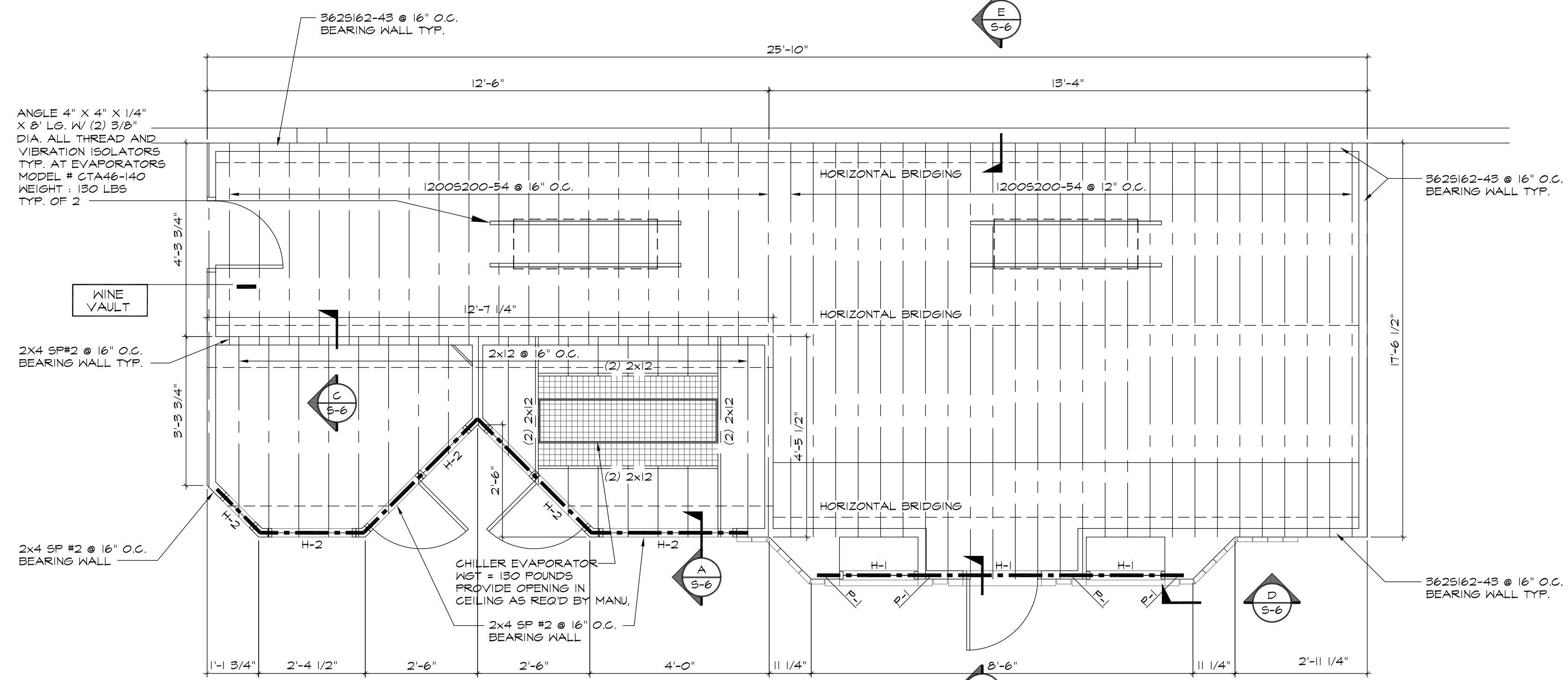
- H-1 DENOTES 2-12005200-54 + 400T125-54 TRACK TOP AND BOTTOM - BOX BEAM.
- H-2 DENOTES 2-2X12 SP #2 HEADER BEAM W/ (1) FULL LENGTH STUD AND (1) JACK STUD AT EACH END.
- P-1 DENOTES 2-400S200-43 + 400T125-54 BUILT UP POST.



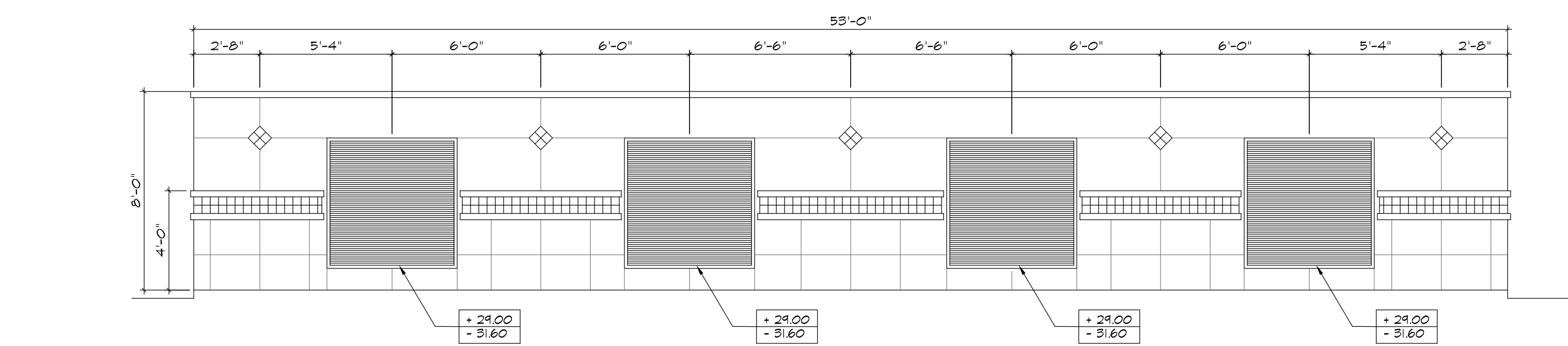
**C** SECTION  
SCALE: 1" = 1'-0"



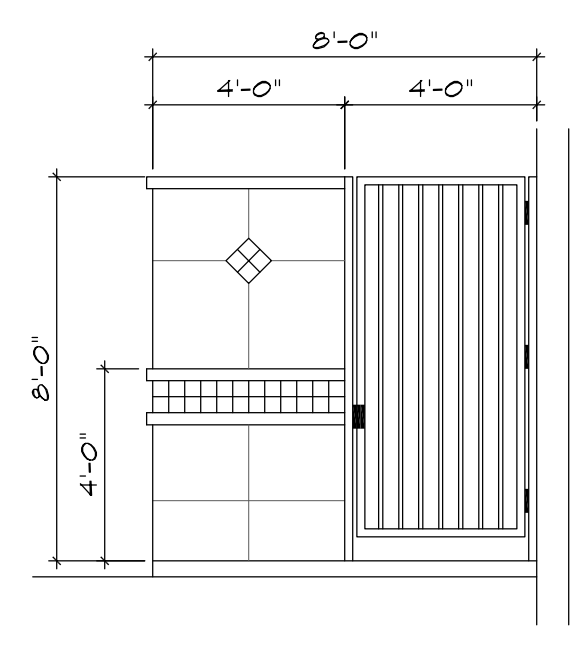
**D** SECTION  
SCALE: 1" = 1'-0"



**4** WINE VAULT CLG. FRAMING PLAN  
SCALE: 1/4" = 1'-0"

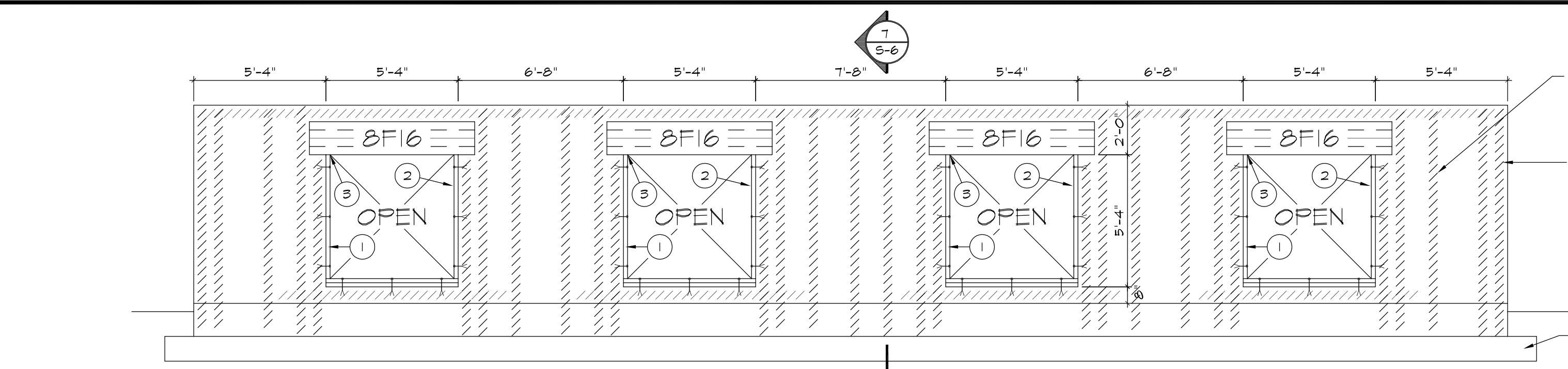


**5** OUTSIDE MECHANICAL SCREENING WALL (ARCHITECTURAL)  
SCALE: 1/4" = 1'-0"



NOTES:  
DENOTES DESIGN WIND PRESSURES IN PSF

NOTE:  
ARCH. ELEV. SHOWN FOR REFERENCE ONLY  
REFER TO ARCH. ELEVATIONS FOR  
DETAILS & FINISHES.

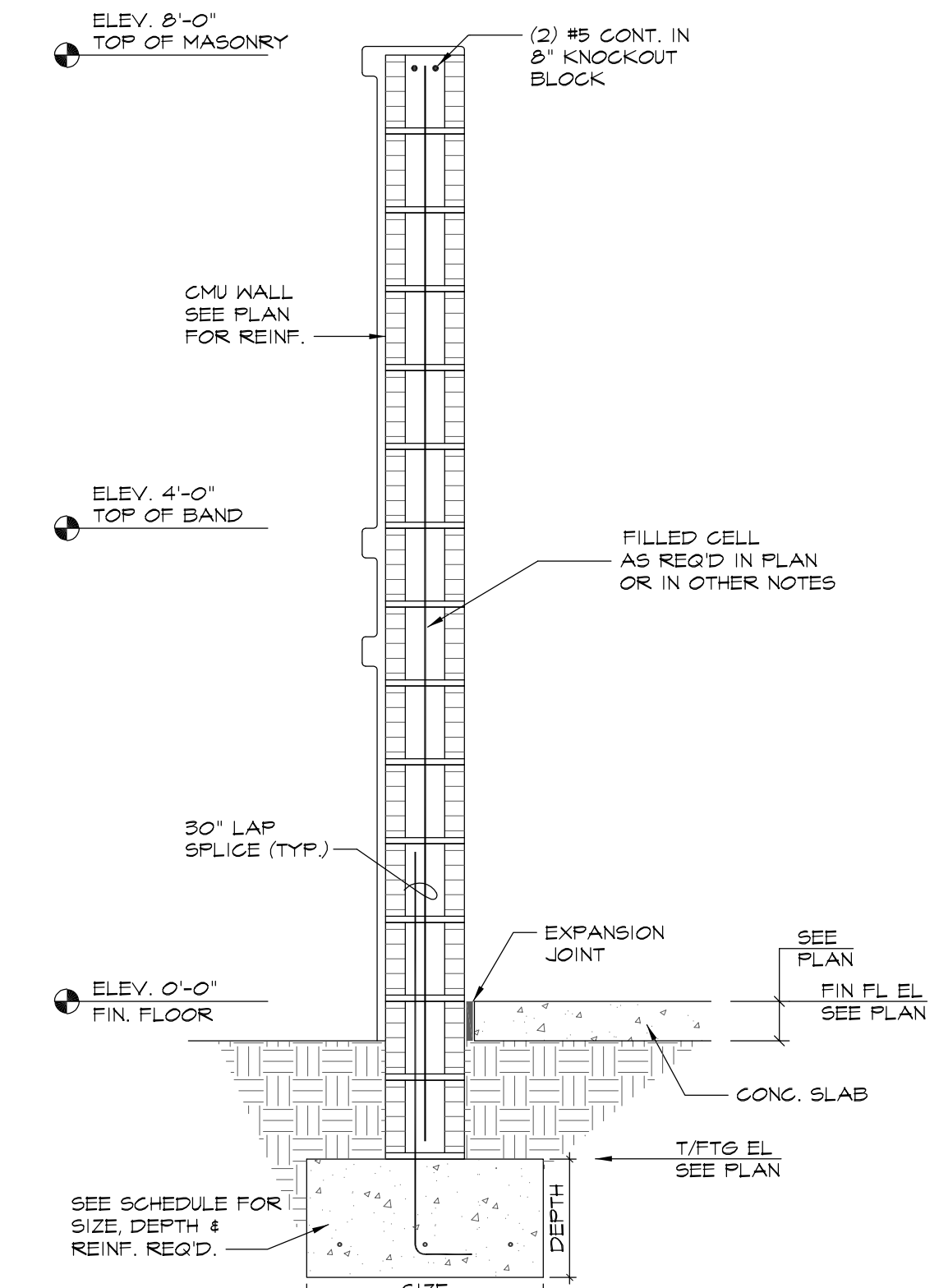


**6** OUTSIDE MECHANICAL SCREENING WALL (STRUCTURAL)  
SCALE: 1/4" = 1'-0"

FILLED CELL  
NOTE:  
USE 2500 PSI PUMP  
MIX CONC. W/ 8'-10"  
DESIGN SLUMP. REBAR  
TO BE #5 W/ 30" LAP.  
PROVIDE CLEANOUTS  
FOR TYING REIN. &  
GROUTED CELLS TYP.  
PLAN REFER TO FOUND.  
PLAN FOR LOCATIONS.

**KEY NOTES:**

- 1 SIMPSON NO. A-33 OR EQ. USE TAPCONS @ CONC.
  - 2 ALL STUDS TO BE 1 5/8 x 6" 18 GA. METAL. FASTEN TO WALL W/ 1/2" EXPANSION BOLTS @ 36" O.C. W/ MIN. 3 1/2" EMBEDMENT OR EPOXY ANCHORS W/ 4" EMBEDMENT
  - 3 16 GA. CLIP ANGLE. SEE DETAIL T / S-4
- ALL SCREW CONNECTIONS TO LIGHT GAUGE FRAMING TO USE #10 SELF DRILLING, SELF TAPPING SCREWS



**7** WALL SECTION  
SCALE: 3/4" = 1'-0"

REVISIONS	BY

731 E. HIGHWAY 50  
CLERMONT, FLORIDA  
34711  
PHONE: (352)242-0100  
FAX: (352)242-0302

**Lindemann  
Bentzon  
Bojack**

ENGINEERING DESIGN INSPECTION <<

**ABC LIQUORS, INC.**  
8989 S. ORANGE AVE. - ORLANDO, FLA. 32809

**ABC STORE NO. 50**  
SAWGRASS MILLS, SUNRISE, FLORIDA

STRUCTURAL DETAILS

DRAWN:	R. CARDONA
CHECKED:	S. RIVERA
DATE:	5-1-07
SCALE:	AS NOTED
JOB No:	50
SHEET	

S-6