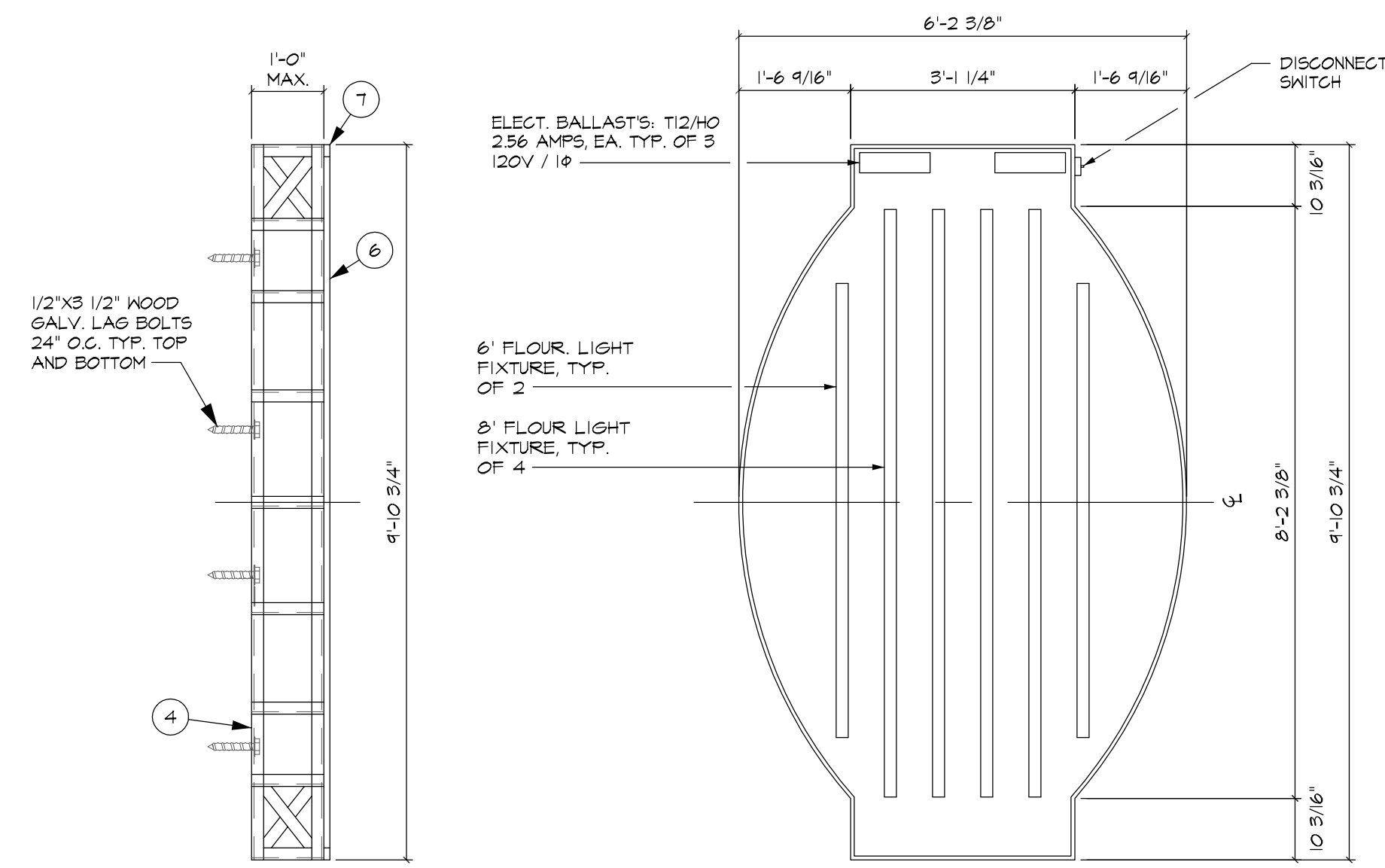
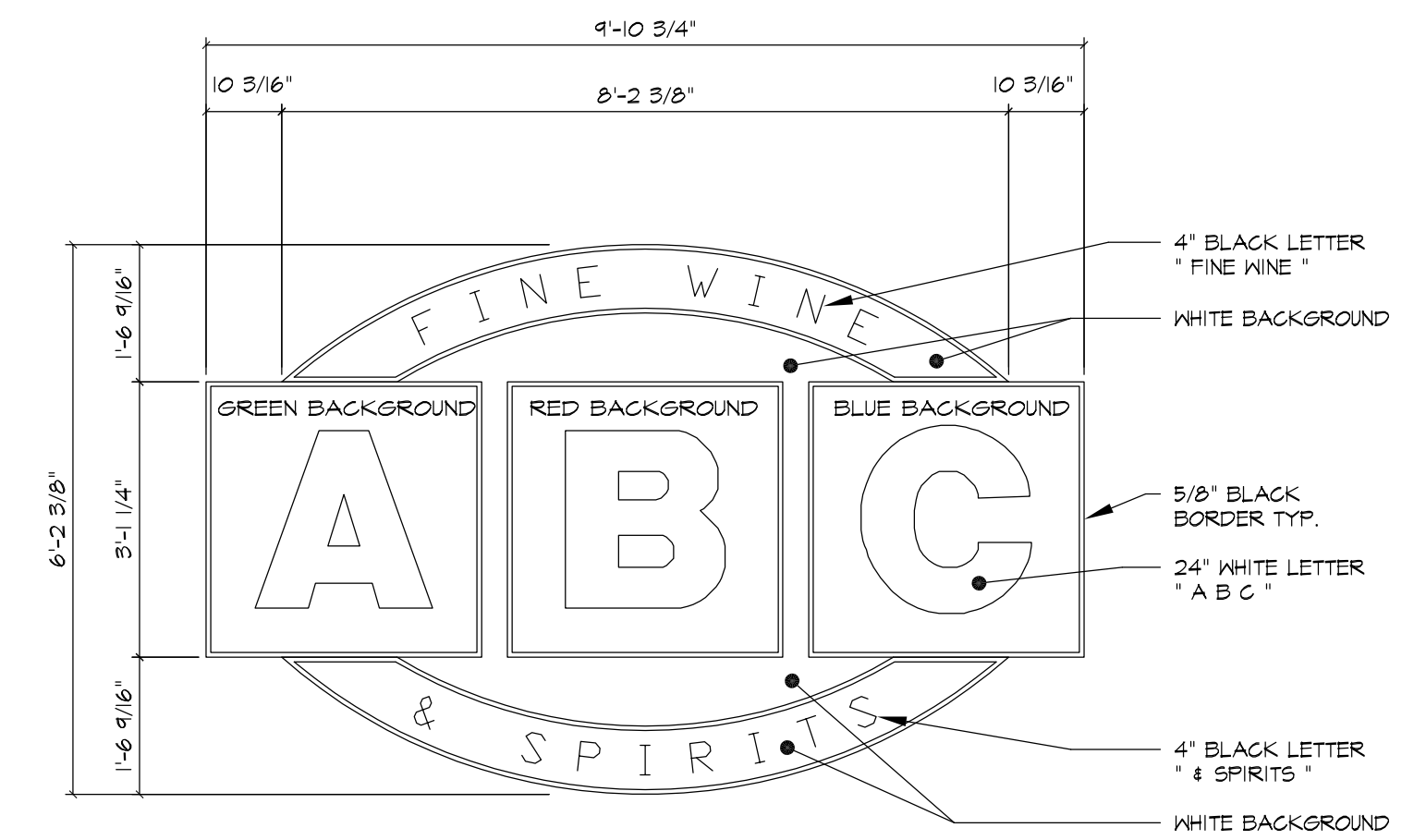


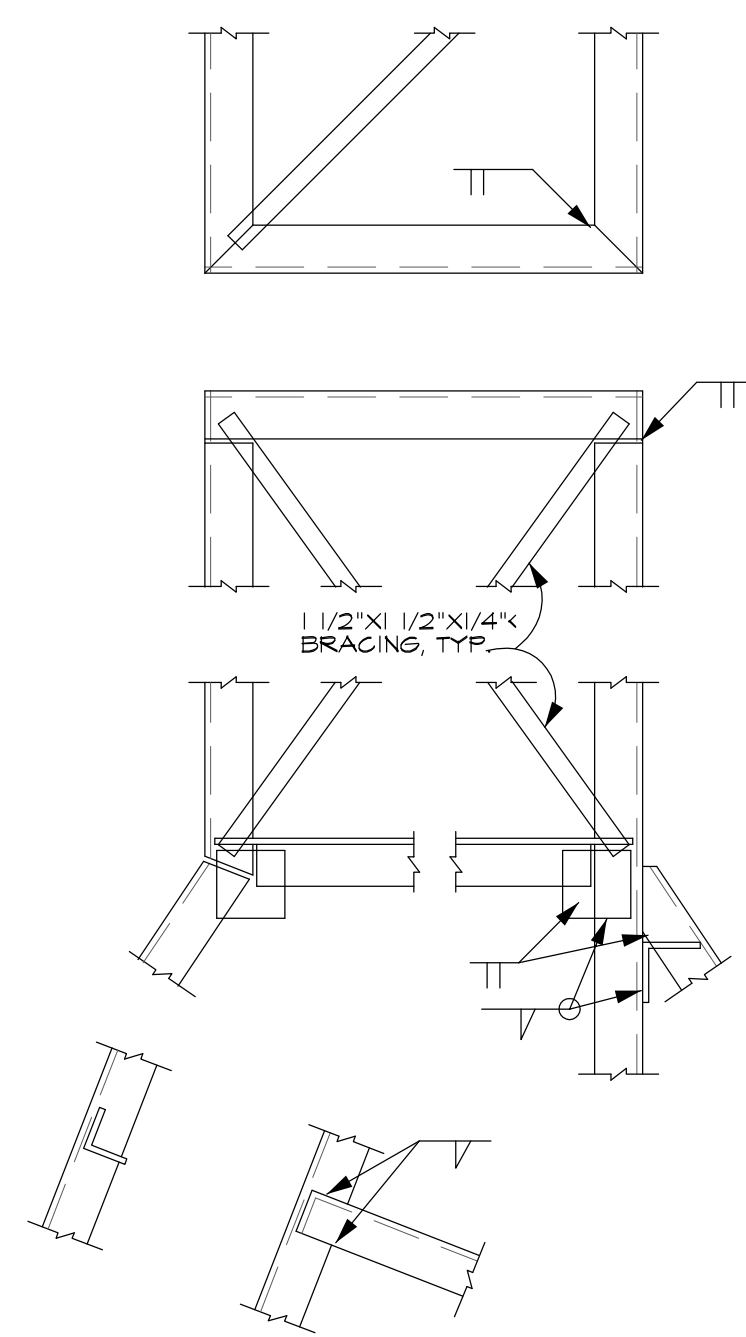
1 WALL SIGN SCHEMATIC
5-9 NO SCALE



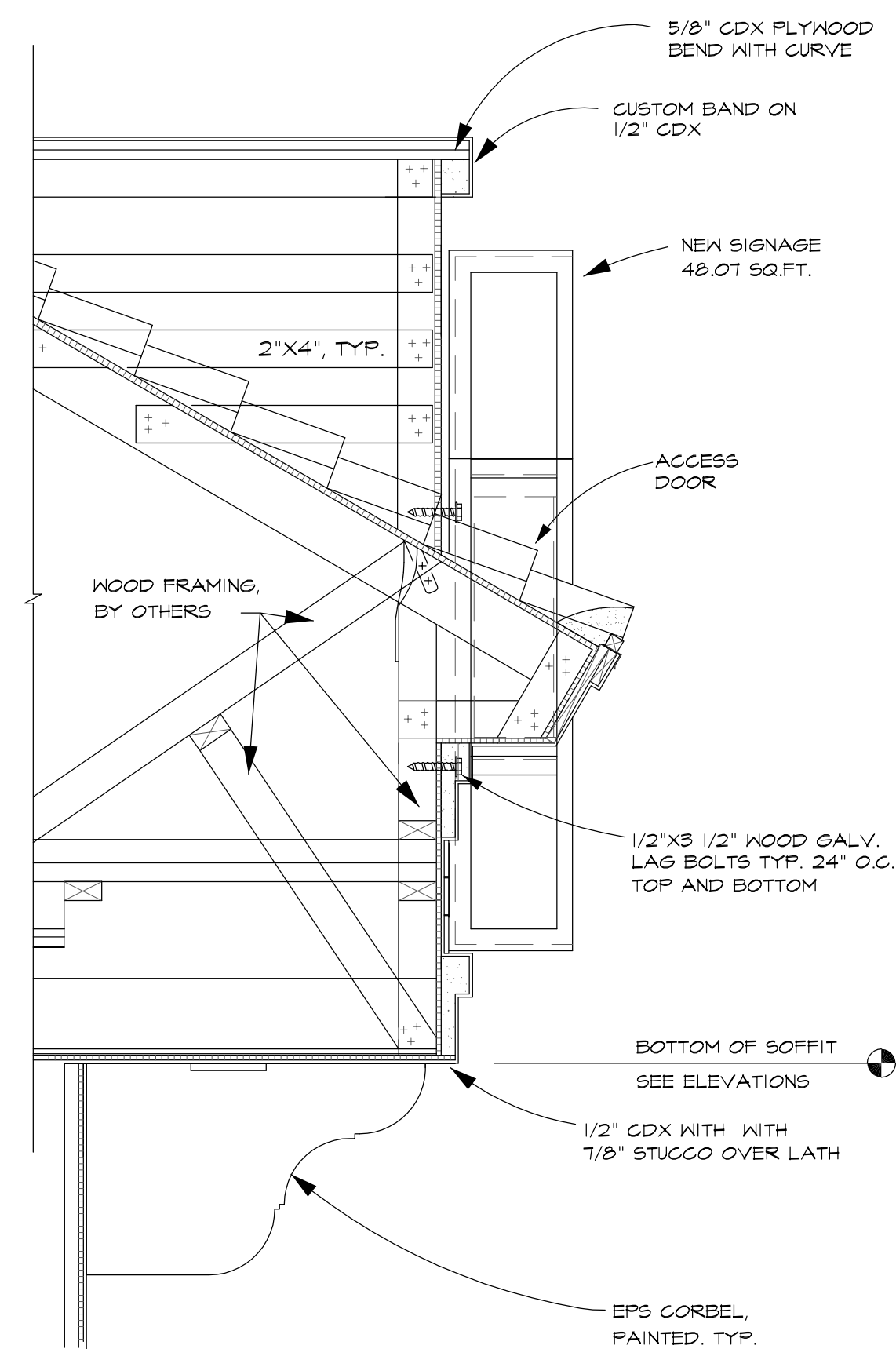
2 WALL SIGN DETAILS (48 SQ. FT.)
5-9 NOT TO SCALE 2 REQUIRED



6 SIGN FACE - COLOR / TEXT SIZE
5-9 NOT TO SCALE



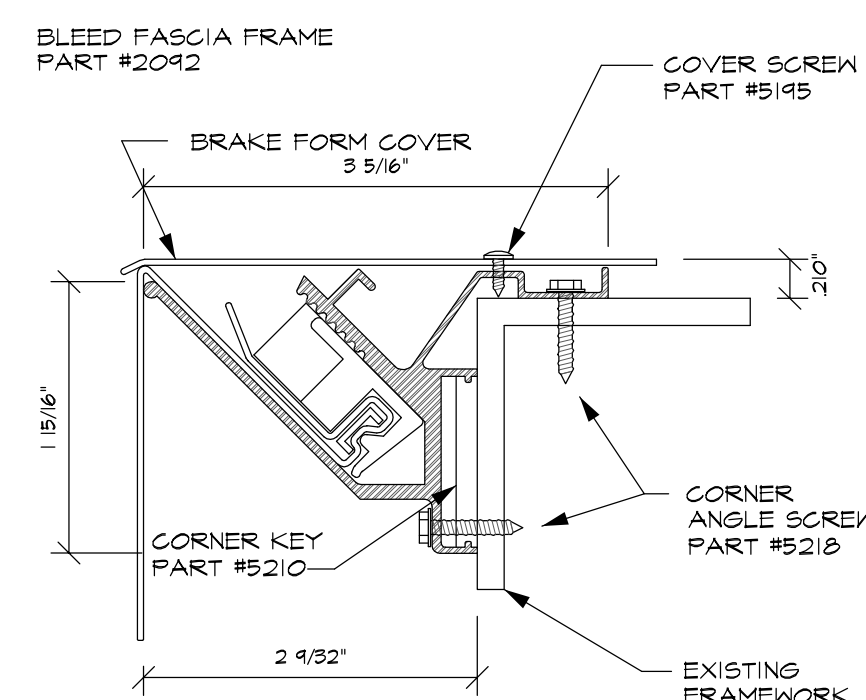
4 CONNECTION DETAIL
5-9 NO SCALE



5 WALL SIGN SUPPORT SECTION (48 SQ. FT.)
5-9 SCALE: 3/4\"/>

ILLUMINATED WALL SIGN
NOTE'S AND SPECIFICATIONS:

DESIGN CODE: FLORIDA BUILDING CODE, 2004 EDITION
WIND LOAD DESIGN CRITERIA FOR SIGN:
FLORIDA BUILDING CODE 2004 w/ 2005, 2006 AND 2007 SUPPLEMENTS, CHAPTER 1609
AMERICAN SOCIETY OF CIVIL ENGINEERS, ASCE 7-02
BASIC WIND VELOCITY - 140 MPH (3 SECOND GUST, ANY DIRECTION)
BUILDING CATEGORY - II
IMPORTANCE FACTOR - 1.00 (TABLE 1604.5)
EXPOSURE CATEGORY - C
ENCLOSURE CLASSIFICATION - OPEN
MAIN WINDFORCE RESISTING SYSTEM PRESSURES:
ROOF - 48.1 PSF (GROSS UPLIFT) (TABLE 1609.6A)
NET UPLIFT - 36 PSF
WALLS - 40.1 PSF (TABLE 1609.6A)
COMPONENTS AND CLADDING - 60.9 PSF (TABLE 1609.6B)
CONTRACTOR TO VERIFY THAT THE SUPPORTING WOOD FRAMING MATCHES THE ORIGINAL DRAWING PLANS AND ARE SUPPORTED TO THE BEARING WALL ACCORDING TO THE BUILDING PLANS. ANY DISCREPANCIES NOTED SHOULD BE REPORTED TO THE ENGINEER OF RECORD, 352-242-0100. ANY CHANGES TO THESE PLANS SHOULD BE APPROVED IN WRITING.
SIGN FRAME IS DESIGNED FOR USE WITH "SIGN COMP" ALUMINUM RETRO FACIA FRAME EXTRUSIONS, 6061-T6 ALUM. (T) PART #2094, WITH ALUMINUM BRAKE FORM COVER (S) 16 GA. ALUM. 3004-H14, FOR SIDE PANELS.
ALUMINUM PARTS TO BE PROTECTED FROM STEEL FOR GALVANIC ACTION. FINISH: ZINC CHROMATE PRIMER, W/THERMAL SET ACRYLIC ENAMEL FINISH, OR BITUMINOUS COATING.
THE FLEXIBLE FABRIC AND FRAME EXTRUSIONS TO BE INSTALLED PER MANUFACTURERS INSTRUCTION. (S)
PRIMARY WIRING DISCONNECT, LIGHT FIXTURES PROVIDED BY OWNER.
ASSEMBLY NOTES: (1) 2X2X1/4 ANGLE @ 2 TOP SUPPORTS
(2) 2X2X1/4 ANGLE @ 2 OUTSIDE TOP SUPPORTS
(3) 2X2X1/4 ANGLE @ 2 OUTSIDE BOTTOM SUPPORTS
(4) 2X2X1/4 ANGLE FOR SIGN FRAME
CONTRACTOR TO VERIFY ALL MASONRY WALL CONNECTIONS AND SIZES. CONTRACTOR RESPONSIBLE FOR ALL JOB SAFETY AND SHORING.



6 RETRO FACIA FRAME EXTRUSIONS
5-9 NO SCALE

HARDWARE

	PART NO.	PART
	5040	CAP SCREW #10 X 1/2\"/>
	5220	REVEAL TO BODY SCREW #10 X 3/4\"/>
	5280	HINGE SCREW #10 X 5/8\"/>
	5290	CLOSURE SCREW #10 X 7/8\"/>
	5270	SLIDE RETAINER CORNER SCREW #8 X 1 1/2\"/>
	5240	SLIDE BODY CORNER SCREW #10 X 3/4\"/>
	5290	RACEWAY COVER SCREW #8 X 1/2\"/>
	5168	ACCESS FRAME COVER SCREW DIVIDER SCREW #8 X 1/2\"/>
	5195	COVER SCREW 1 1/2\"/>
	5218	CORNER ANGLE SCREW #10 X 1/2\"/>

WALL SIGN AND DETAILS

DRAWN:	R. CARDONA
CHECKED:	S. RIVERA
DATE:	3-1-07
SCALE:	AS NOTED
JOB No:	50
SHEET	

731 E. HIGHWAY 50
CLERMONT, FLORIDA
34711
PHONE: (352)242-0100
FAX: (352)242-0302

**Lindemann
Bentzon
Bojack**
ENGINEERING DESIGN INSPECTION <<

ABC LIQUORS, INC.
8989 S. ORANGE AVE. - ORLANDO, FLA. 32809

ABC STORE NO. 50
SAWGRASS MILLS, SUNRISE, FLORIDA

REVISIONS BY

BUILDING DEPT.	MCM
REV. 5-15-08	

S-9