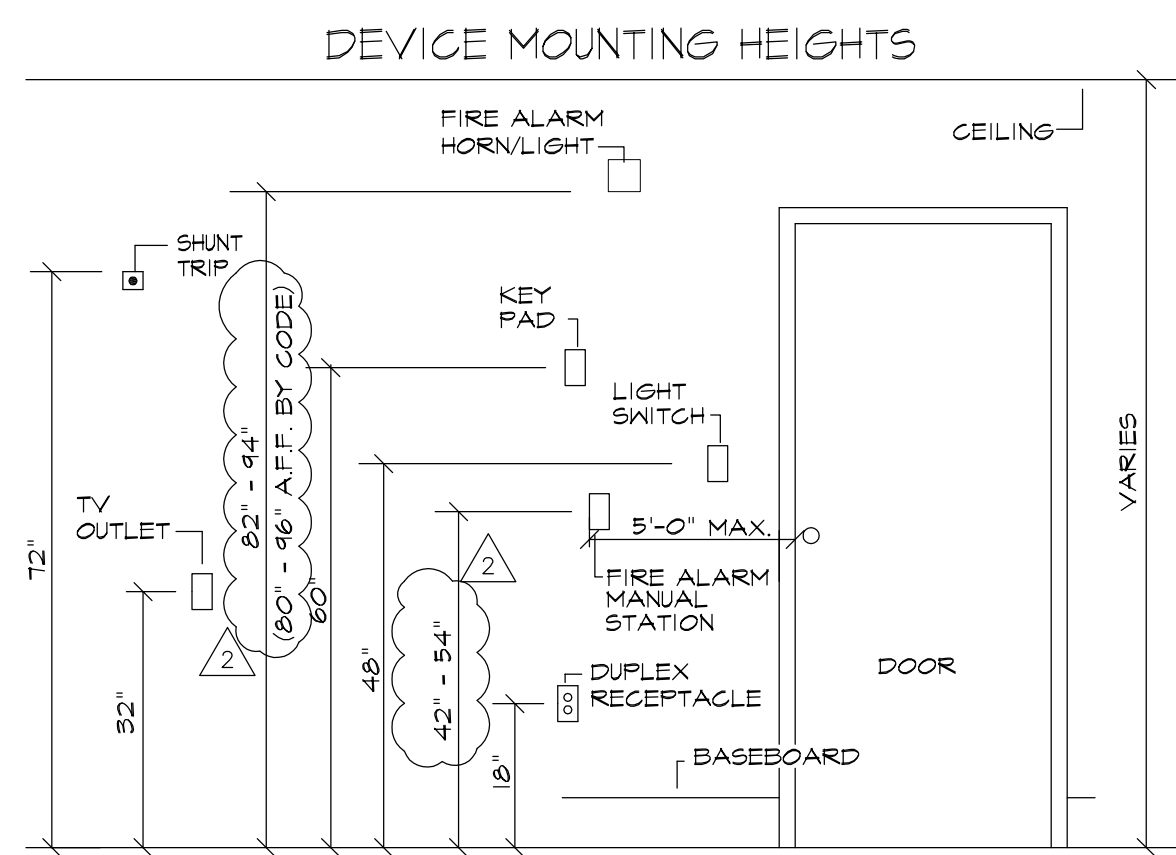


SCOPE OF WORK
 INSTALLATION OF NEW SECURITY ALARM AND
 CCTV SYSTEMS.

SECURITY LEGEND			
F	5600 GLASSBREAK	CEILING SURFACE	
D	DOOR MAGNETS (SENTRON) 1085T	RECESSED	
DD	DOOR SWITCH ON DELAY SENTROL 1085T		
H	A 261 HOLD UP BUTTON	UNDER THE COUNTER MTD. VERT. SURFACE	ADEMCO
M	D100ST MOTION	WALL SURFACE ANGLE AS REQD.	
	RADIONICS D94126 PANEL WALL RELAY AND MODULE REQD.	SURFACE	BOSCH
	MPI-8 SIREN	RECESSED IN HIF	MOOSE
	END OF LINE RESISTOR	IN BOX AT DEVICE	IK
	KEYPAD DI255	SURFACE	BOSCH
C	CCD COLOR CAMERA TDI-14820-0000 4-8 (V) GE LENSE RAINBOW	CEILING SURFACE	HIGH RESOLUTION DOME
C	CCD COLOR CAMERA TDI-14820-0000 8-12 (V) GE LENSE RAINBOW	CEILING SURFACE	HIGH RESOLUTION BOX
CT	TYM1001 15" COLOR MONITOR	ON SHELF	

W/ D9428 DUAL PHONE SWITCHER
 D8129 COTO RELAY
 D-122 DUAL BATTERY &
 WIRE HARNESS
 DB004 TRANSFORMER KIT
 D-1640 16.5 VAC 40 VA
 TRANSFORMER
 BOSCH
 D-1255
 D-8004
 D-161
 D-162 (2)
 ECT
 D-8103 UNIVERSAL ENCLOSURE



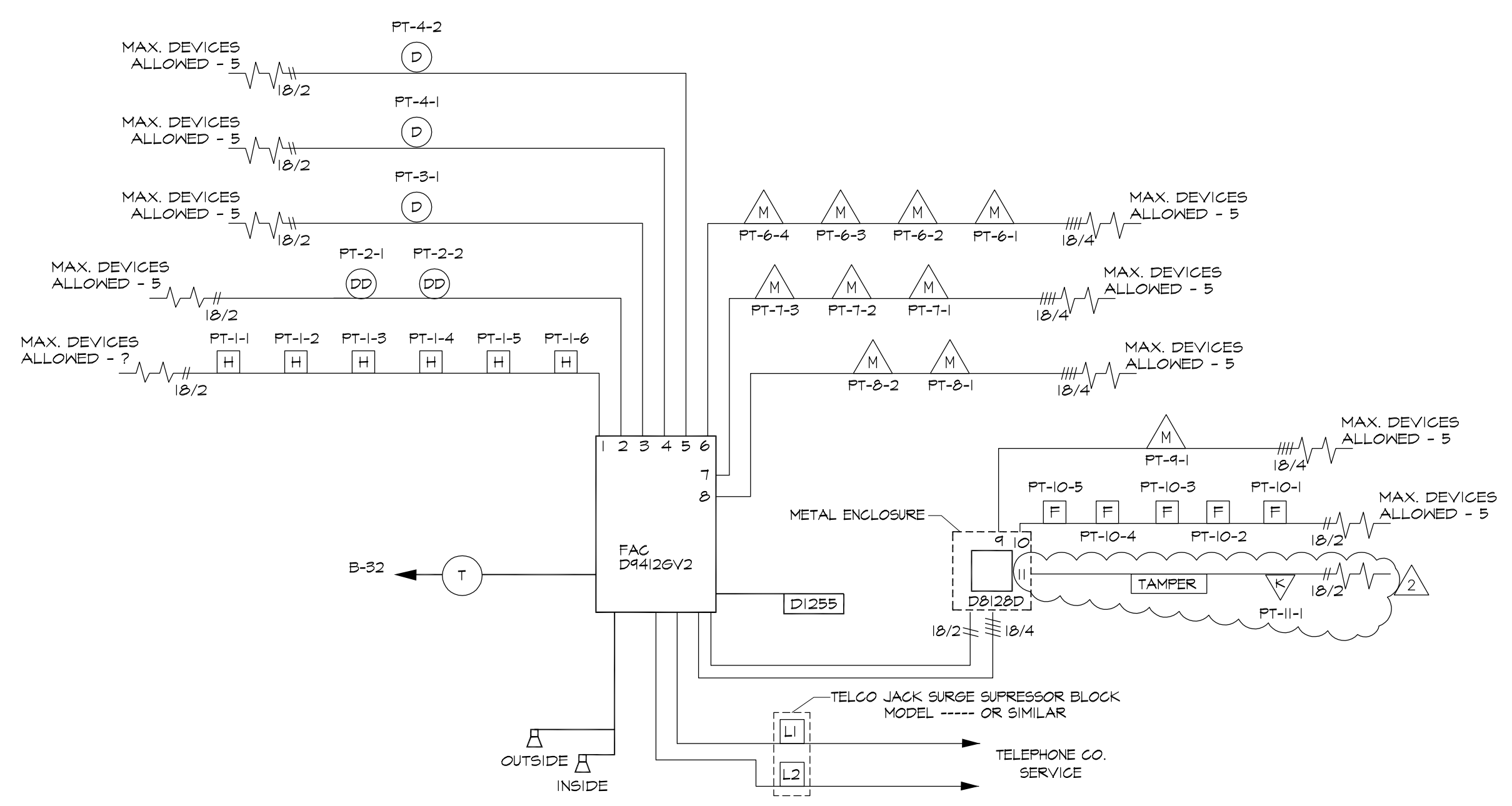
NOTES:
 A. MOUNT LIGHT SWITCH 36" AFF IN ROOMS FOR HANDICAPPED.
 B. MOUNT DUPLEX RECEPTACLES 32" AFF IN ROOMS FOR HANDICAPPED.

1 F-4 DEVICE MOUNTING HEIGHTS (TYPICAL UNLESS NOTED ON PLANS)

SECURITY ALARM NOTES:

- A. CONTRACTOR IS RESPONSIBLE FOR PHONE LINE HOOK UP TO R.J.45 JACK TO ALARM SYSTEM, AND PHONE LINES FROM PHONE BOARD TO ALARM BOARD.
- B. CONTRACTOR IS RESPONSIBLE TO PROVIDE A LOG BOOK AND DRAWINGS, WHICH SHALL BE ATTACHED TO ALARM PANEL.
- C. CONTRACTOR WILL SUPPLY ALL REQUIRED EQUIPMENT, TESTING AND MATERIAL TO SUPPLY ABC W/ A FULLY OPERATIONAL ALARM SYSTEM.
- D. CONTRACTOR IS RESPONSIBLE TO INSTALL THE ALARM SYSTEM TO MEET ALL CITY, COUNTY, N.F.P.A. AND FLORIDA ACCESSIBILITY CODES.
- E. NO WIRES TO BE EXPOSED.
- F. ALL ALARM WIRING TO BE APPROVED W/ COUNTY, STATE AND CITY CODES.
- G. ABC - ID #491067-001 IS TO MONITOR THIS SYSTEM W/ CENTRAL STATION CONTACT # (407) 851-0000 (EXT. 2443), U.L. FILE # S2624-1 FIRE ALARM.
- H. ALL DEVICE LOCATION ARE APPROX. "VERIFY" OR AS STATED ON PLAN.
- I. ALL EQUIPMENT IDENTIFIED, COMPATIBLE & LISTED FOR USE & INDICATED ON PLANS INCLUDING UNIQUE IDENTIFICATION NUMBER.
- J. ALL CONDUIT SHALL BE MIN. 1/2" Ø, MAX. 40% FILLED, TYP.

POINT	POINT DESCRIPTION
PT-1	HOLD UP
PT-2	FRONT DOOR
PT-3	REAR DOOR (S/W)
PT-4	REAR DOOR (WEST)
PT-5	REAR DOOR (STORAGE RM.)
PT-6	FRONT STORE PIR
PT-7	REAR STORE PIR
PT-8	STORAGE RM. PIR
PT-9	ELECTRICAL RM. PIR
PT-10	GLASS BREAK
PT-11	TAMPER, KNOX BOX



SECURITY ALARM RISER

NOT TO SCALE
 NOTE: THIS IS AN INSTALLATION DIAGRAM AND IT IS EXPECTED THAT THE SYSTEM WILL BE INSTALLED IN ACCORD WITH THIS DIAGRAM, NEG TO.

2 F-4 RESERVED SCALE.

REVISIONS BY	
1	OWNER REVISION 5-14-08 S.L.M.
2	BUILDING DEPT. 7-17-08 S.L.M.

ALEX PIPER, P.E.
 CONSULTING ENGINEER, FL # 42697
 POWER • LIGHTING • SYSTEMS • DATA
 VOICE: 407-376-0648
 FAX: 407-387-3853
 100 W. Palm Dr.,
 Leesburg, FL 34749
 ALEXPIPER@worldnet.att.net

ABC LIQUORS, INC.
 8989 S. ORANGE AVE. - ORLANDO, FLA. 32809
ABC STORE NO. 50
 SAWGRASS MILLS, SUNRISE, FLORIDA

DRAWN:	R. CARDONA
CHECKED:	S. RIVERA
DATE:	5-1-07
SCALE:	AS NOTED
JOB No:	50
SHEET	

F = 4

SECURITY ALARM NOTES AND DETAILS