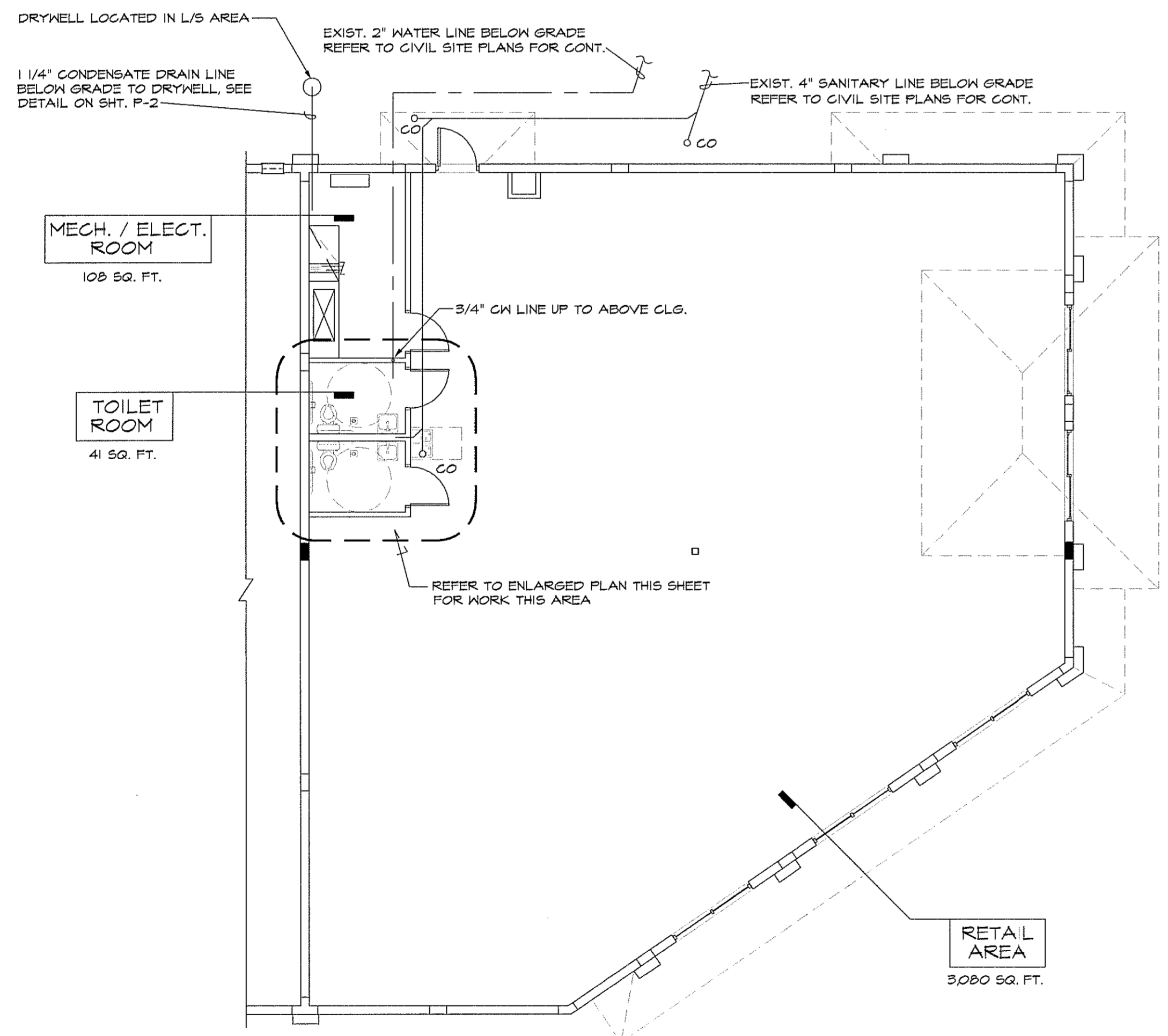
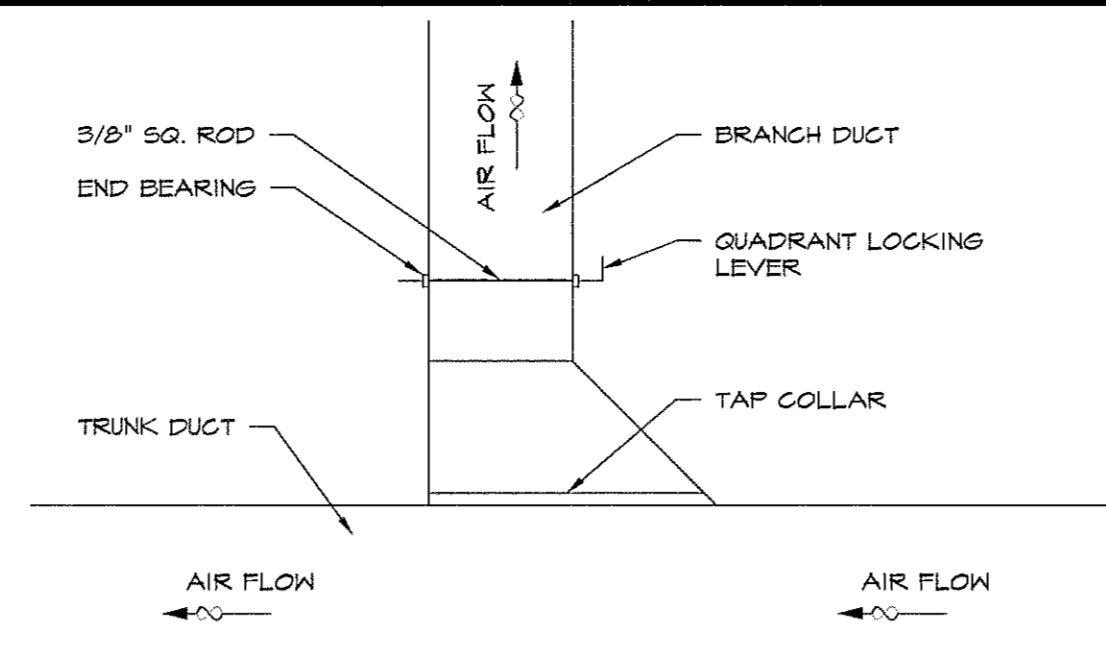


1 MECHANICAL PLAN
SCALE: 1/8" = 1'-0"

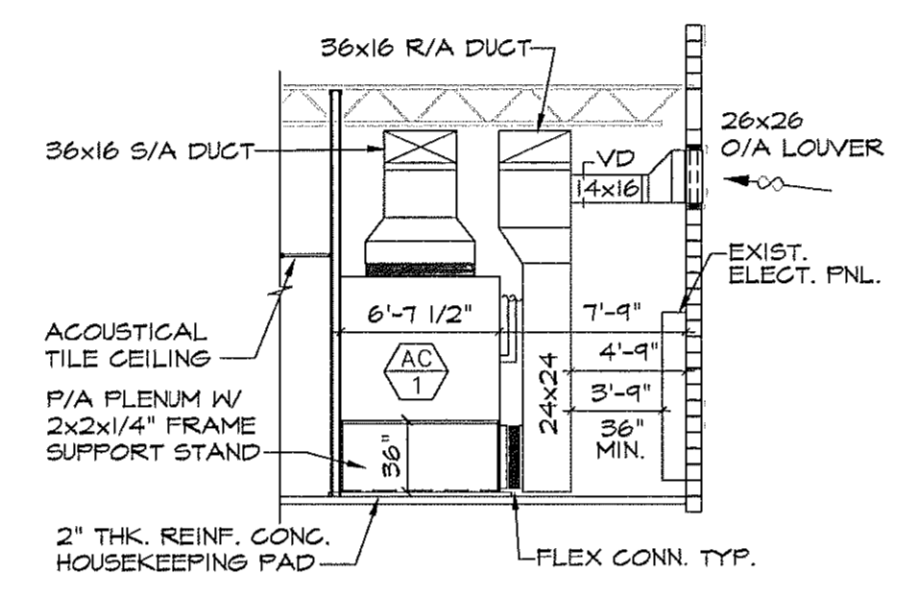


2 PLUMBING PLAN
SCALE: 1/8" = 1'-0"

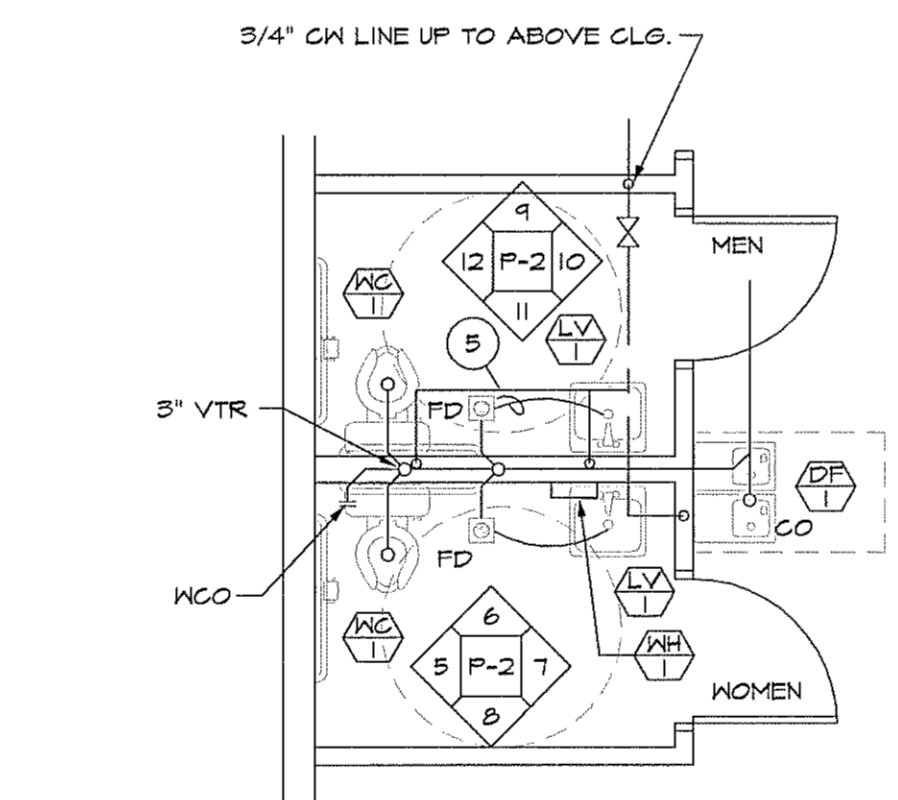


4 SUPPLY AIR DUCT BRANCH DETAIL
SCALE: 3/4" = 1'-0"

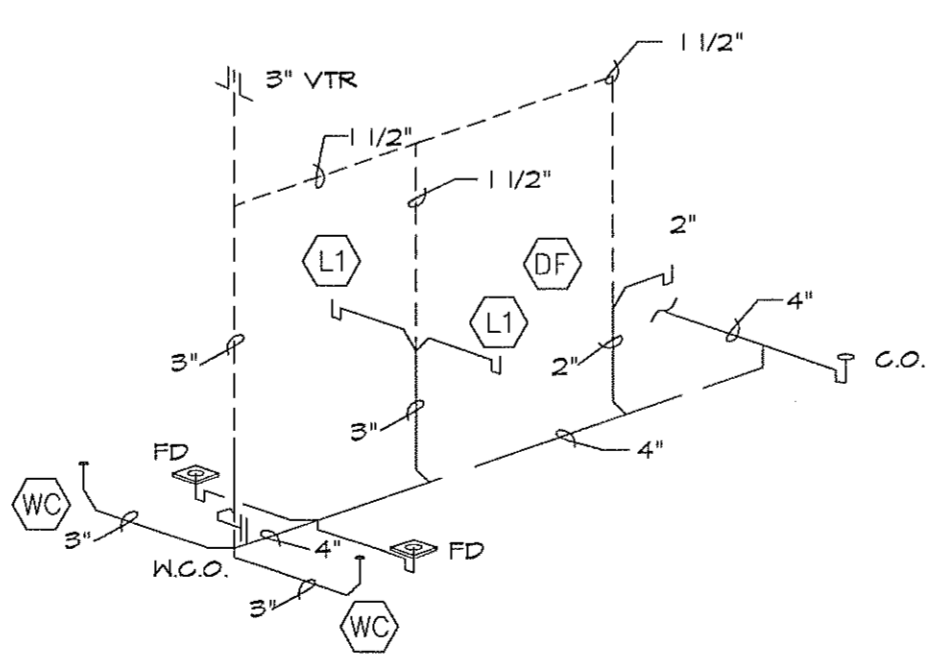
OUTDOOR AIR CALCULATION:
 TOTAL S/A = 4,860 CFM
 TOTAL COND. FLR. AREA = 3,180 SQ. FT.
 @ 3 CFM / SQ. FT. = 354 CFM MIN. O/A REQ'D.
 TOTAL O/A @ 25% = 1,215 CFM O/A PROVIDED.



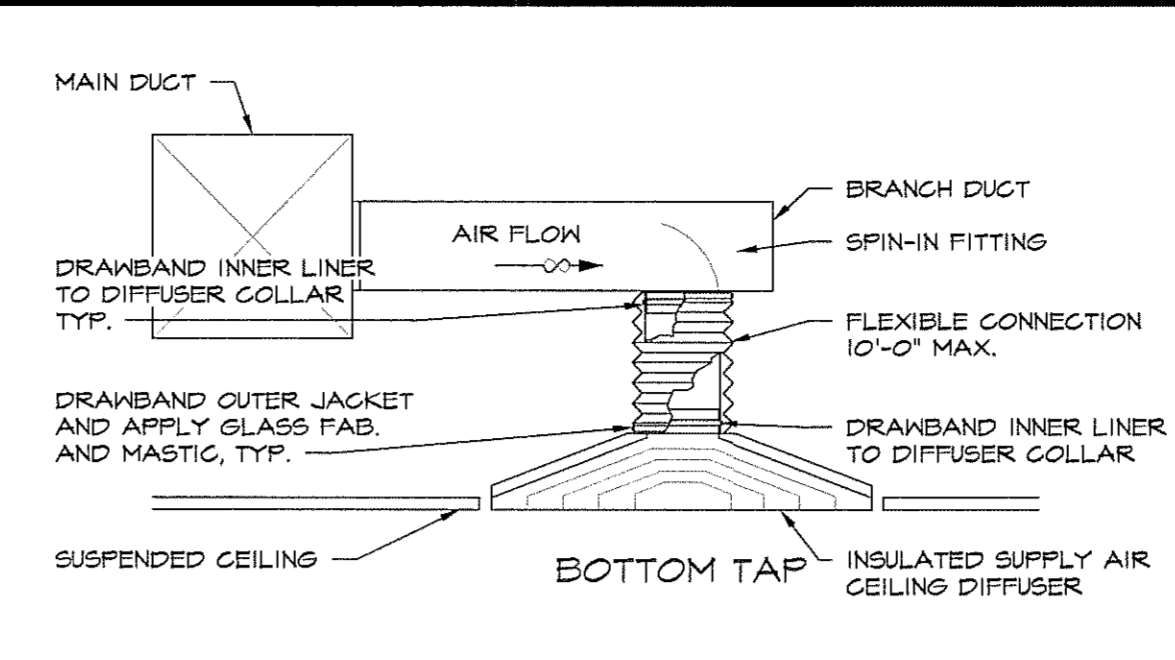
6 MECH./ELECT. RM. SECTION
SCALE: 1/8" = 1'-0"



3 ENLARGED PARTIAL PLUMBING PLAN
SCALE: 1/4" = 1'-0"



SANITARY RISER DIAGRAM
NO SCALE



5 BRANCH DUCT TAPS
SCALE: 3/4" = 1'-0"

EQUIPMENT SCHEDULE:
 NOTE: ALL MECHANICAL EQUIPMENT TO BE PROVIDED BY OWNER AND INSTALLED BY CONTRACTOR.

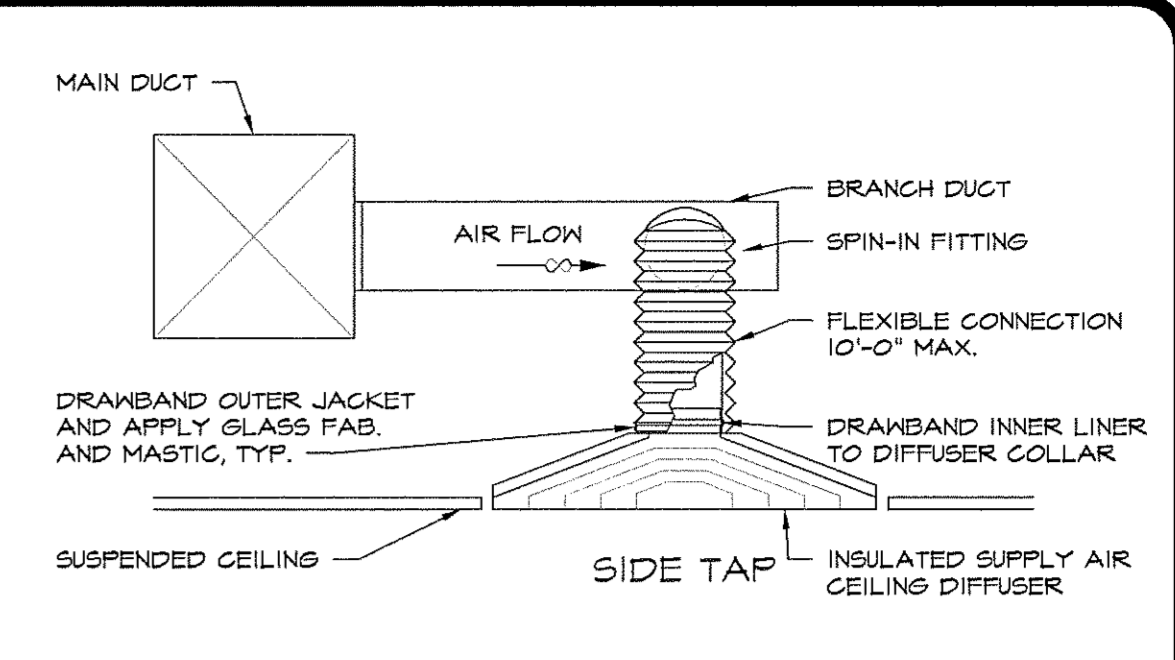
- AC 1 NEW SPLIT SYSTEM A/C UNIT W/ ELECTRIC HEAT, TRANE MODEL NO. TTA150B, 12 1/2 TON COND. UNIT W/ 15 TON, THE180B AIR HANDLER, ARI RATED COOLING CAPACITY OF 182.0 MBH @ 45° AMBIENT, 80° ENT. D.B., 67° ENT. W.B., 4.5 EER, 14.86 ICH ELEGT. HT, 200V / 3 PHWR CONNECTION, PROVIDE WITH FACTORY ROOF CURB, 25 DAMPER W/ BIRD SCREEN, PROVIDE W/ 1 STAGE HEATER MODEL NO. BAYTRM320A.
- EF 1 EXHAUST FAN: BROAN MODEL NO. 4CT01, 150 CFM, 120V 1-PH. TOILET ROOM VENTILATION.

- MECHANICAL LEGEND:**
- CD-A: 24"X24" SUPPLY DIFFUSER, METALAIRE SERIES 5800 W/RADIAL DAMPER OR EQ.
 - 24"X24" FILTER BACK RETURN GRILLE WITH 1/2"X1/2" X1/2" CUBES, METALAIRE SERIES 605 FB OR EQ.
 - CD-B: 12"X12" SUPPLY DIFFUSER, METALAIRE SERIES 5800 W/RADIAL DAMPER OR EQ.
 - EXHAUST GRILLE
 - BOTTOM DUCT TAP W/ MANUAL VOLUME DAMPER
 - A/C DUCT
 - FD: FIRE DAMPER, IBO-2 AS MANUF. BY RUSKIN OR EQUAL, UL #555
 - T: T DAY, PROGRAMMABLE THERMOSTAT, WHITE ROGERS MODEL NO. IP44-TI MTD. 48" A.F.F. WITH REMOTE TEMPERATURE SENSOR, NO. F145-1049 LOCATED IN RETURN DUCT, TYPICAL OF 2.
 - SD: SMOKE DETECTOR, INSTALLED BY M.C. WIRED BY E.C. ALL SMOKE DETECTORS SHALL BE INTERLOCKED SUCH THAT UPON DETECTION OF SMOKE BY ANY ONE DEVICE ALL REGULATING AIR FANS SHALL SHUT DOWN UNTIL MANUALLY REACTIVATED.
 - RT: REMOTE TEST SWITCH, TO BE INSTALLED ON UNDERSIDE OF ACOUSTICAL CEILING TILE.

- PLUMBING LEGEND:**
- COLD WATER LINE
 - HOT WATER LINE
 - SANITARY SEWER LINE
 - VENT
 - RAIN WATER LEADER
 - GATE VALVE
 - PDI WATER HAMMER ARRESTER "SIOUX CHIEF" OR EQUAL
 - 1/2" HB HOSE BIBB
 - FD FLOOR DRAIN
 - CO FLOOR CLEAN-OUT
 - HCO HALL CLEAN-OUT
 - FS FLOOR SINK
 - FD FLOOR / FUNNEL DRAIN
 - 2-WAY CLEAN OUT

- PLUMBING FIXTURE SCHEDULE:**
- LV H.C. LAVATORY, AMERICAN STANDARD MODEL NO. 0356.028 MOUNTED WITH TOP AT 34" A.F.F. PROVIDE WITH 2000.100 FACET, GRID STRAINER AND ANGLE ANGLE STOPS. PROVIDE TRAP INSULATION WRAP, BROGAR PRODUCTS, INC. OR EQ.
 - WC H/C WATER CLOSET, KOHLER MODEL K-4286 (BOWL) & K4684 (TANK) . 1.6 GAL. FLUSH. PROVIDE WITH BREVIA K-4664 SEAT LESS COVER.
 - RH TOILET ROOM WATER HEATER, INSTANTANEOUS POINT OF USE EEMAX # SP2412, 120V, 2.4KW
 - DF DRINKING FOUNTAIN, BARRIER-FREE SPLIT-LEVEL WATER COOLER AS MANUF. BY OASIS, MODEL NO. P8AMSL, 1150 / 10
 - HB HOSE BIBB - ZURN MODEL # Z-1330 - 3/4"

FIXTURE CALCS	WATER CLOSET 1 PER 500	LAVATORY 1 PER 750	DRINKING FOUNTAIN 1 PER 1000
PER IFGC 2007 W/ SUPPLEMENTS (TABLE 403.1)			
4,264 SQ FT GFA @ 30 SQ FT PER PERSON = 322 PEOPLE	MEN	1	1
	WOMEN	1	1
			(1) H/C ACCESSIBLE



GENERAL MECHANICAL NOTES:

1. REFER TO ARCHITECTURAL REFLECTED CEILING PLAN FOR EXACT LOCATIONS OF AIR DISTRIBUTION DEVICES.
2. SIZE AND LOCATION OF EQUIPMENT INSTALLED UNDER DIVISION 15 - MECHANICAL, SHALL BE COORDINATED WITH ALL OTHER TRADES.
3. ALL THERMOSTATS SHALL BE MOUNTED 5'-0" ABOVE FINISHED FLOOR. THERMOSTATS SHALL BE FURNISHED WITH A REMOTE TEMPERATURE SENSOR. VOLTAGE SHALL BE 24 VOLT UNLESS OTHERWISE INDICATED.
4. DISCONNECT SWITCHES REQUIRED FOR THE MECHANICAL EQUIPMENT SHALL BE PROVIDED AND INSTALLED BY DIVISION 16 - ELECTRICAL.
5. ALL DUCTWORK SHALL BE CONSTRUCTED AND INSTALLED IN ACCORDANCE WITH NFPA 90A AND 90B.
6. ALL 90° DUCT BENDS FROM VERTICAL TO HORIZONTAL AND ANGLED TURNS OF DUCTWORK SHALL HAVE TURNING VANES INSTALLED.
7. CONTRACTOR TO PROVIDE AND INSTALL 1" X 3" X 22GA. FORMED SHT. MTL. CHANNEL REINFORCEMENT MIN. 24" O.C. PER N.I.A.M.A. STANDARDS FOR FIBROUS GLASS DUCT CONSTRUCTION OF OVER 1/2" THRU 1" I.G. POSITIVE PRESSURE FOR DUCTS 31" - 36" INSIDE DIM.
8. ALL CONTROL WIRING AND HARDWARE TO COMPLETE THE HVAC CONTROL SYSTEM SHALL BE FURNISHED AND INSTALLED UNDER DIVISION 15 - MECHANICAL, OF THESE CONTRACT DOCUMENTS.
9. DUCT SIZES SHOWN ARE MINIMUM INSIDE DIMENSIONS.
10. EXHAUST FAN OUTLETS SHALL BE INSTALLED A MINIMUM OF 10'-0" FROM FRESH AIR INTAKES, OR EXTERIOR DOORS.
11. ALL FIBROUS GLASS DUCT BOARD JOINTS, SEAMS AND CONNECTIONS SHALL BE CONSTRUCTED IN ACCORDANCE W/ SMAGNA FIBROUS GLASS DUCT CONSTRUCTION STANDARDS, LATEST EDITION. ALL DUCTWORK SHALL BE CLASS I, UL-181 AND ALL CLOSURES SHALL MAINTAIN THIS RATING.
12. CONTRACTOR TO PROVIDE AND INSTALL 1" X 3" X 22GA. FORMED SHT. MTL. CHANNEL REINFORCEMENT MIN. 48" O.C. PER N.I.A.M.A. STANDARDS FOR FIBROUS GLASS DUCT CONSTRUCTION OF OVER 1/2" THRU 1" I.G. POSITIVE PRESSURE FOR DUCTS 25" - 30" INSIDE DIM.
13. DUCT WORK SHALL BE 1 1/2" TYPE 800 FIBROUS GLASS DUCT, R-6.5 AS MANUF. BY OWENS CORNING OR EQUAL. FLEXIBLE DUCT CONNECTIONS R-6.0
14. ALL DIFFUSERS SHALL BE 4-WAY THROW UNLESS NOTED OTHERWISE BY DIR. ARROW.
15. EXHAUST DUCTWORK SHALL BE UNINSULATED GALVANIZED STEEL.
16. ALL CONDENSATE DRAIN LINES SHALL BE INSTALLED WITH A 1" TRAP AT THE UNIT WITH A MINIMUM DEPTH OF 2'.
17. ALL FLEXIBLE DUCT CONNECTIONS TO TRUNK DUCTS SHALL BE MADE WITH GALVANIZED STEEL CONICAL SPIN-IN FITTINGS WITH DAMPER AND LOCKING QUADRANT. DUCT CONNECTION TO THE SPIN-IN OR AIR DISTRIBUTION DEVICE SHALL BE MADE WITH STAINLESS STEEL BANDS OR PANOUT STRAPS. THE USE OF TAPE TO SECURE FLEXIBLE DUCT TO SPIN-IN OR AIR DISTRIBUTION DEVICES IS STRICTLY PROHIBITED.
18. ALL CEILING DIFFUSERS AND GRILLES SHALL BE INSULATED.
19. ALL FLEXIBLE DUCT SHALL BE SUPPORTED WITH MIN. 1 1/2" X 22 GA. MTL. STRAPS.
20. ALL FIBERGLASS DUCTWORK SHALL BE SEALED WITH GLASS FAB. AND MASTIC.
21. ALL RIGID DUCTWORK SHALL BE SUPPORTED WITH 22 GA. 3X2 CHANNEL, MAX. 8'-0" O.C. W/MIN. 12 GA. WIRE PER SMAGNA STD'S.
22. FURNISH AND INSTALL COMPLETE MECHANICAL SYSTEM AS INDICATED ON PLANS.
23. DUCTWORK SHALL BE AS FOLLOWS:
 - A. DUCTWORK INSIDE THE BUILDING SHALL BE FIBERGLASS CONSTRUCTION, INSTALLED IN ACCORDANCE WITH SMAGNA MANUAL FOR FIBERGLASS DUCTWORK.
 - B. FURNISH AND INSTALL AIR SCOPES, EXTRACTORS, AND SPLITTER DAMPERS WITH OPERATORS AND LOCKING QUADRANTS AT ALL SPLITS, BRANCH CONNECTIONS AND REGISTER OR DIFFUSER CONNECTIONS TO DUCTWORK AND AS OTHERWISE INDICATED ON PLANS.
24. DIMENSIONS ON PLANS INDICATE FREE AIR FLOW AREA, INCREASE DUCT DIMENSIONS 2" WHERE INSULATED INTERNALLY.
25. AIR DISTRIBUTION DEVICES:
 - A. FURNISH AND INSTALL ALL AIR DISTRIBUTION DEVICES AND ACCESSORIES AS INDICATED ON DRAWINGS.
26. MECHANICAL CONTRACTOR TO CONNECT FIRESTAT (SHOWN ON DRAWINGS IN RETURN AIR DUCT) TO AUTOMATIC SHUTDOWN OF A/C SYSTEM PER MECHANICAL CODE REQUIREMENTS. M.C. TO INSTALL FRESH AIR MAKE UP W/ DAMPER.
27. SMOKE DETECTOR FOR USE IN AIR DISTRIBUTION SYSTEMS SHALL BE LOCATED DOWNSTREAM OF AIR FILTERS AND AHEAD OF ANY BRANCH CONNECTIONS IN AIR SUPPLY SYSTEMS OF GREATER THAN 2000 CFM CAPACITY PER NFPA 90A.

- KEY NOTES:**
- 1 DRYWELL, REFER TO DETAIL ON SHEET P-2
 - 2 1/2" TRAP PRIMER
 - 3 PROVIDE AND INSTALL SOAP DISP. / PAPER TOWEL DISP. ON WALL THIS LOCATION - SEE SPECIFICATIONS ON SHEET P-2
 - 4 EMERGENCY SHUT-OFF VALVE
 - 5 1 1/2" CW LINE TO 5'-0" FROM BUILDING REFER TO CIVIL PLANS FOR CONT
 - 6 4" SAN LINE TO 5'-0" FROM BUILDING REFER TO CIVIL PLANS FOR CONT
 - 7 6" R/W TO 5'-0" FROM BUILDING REFER TO CIVIL PLANS FOR CONT

REVISIONS	BY

ARTERBURY ARCHITECTS, INC.
 AA 26000718
 2400 SAND LAKE ROAD
 LONGWOOD, FLORIDA 32779
 (407) 774-2838
 FAX (407) 774-7977

ABC LIQUORS, INC.
 8989 S. ORANGE AVE. - ORLANDO, FLA. 32809
ABC STORE NO. 50 TENANT
 2613 N.W. 124TH AVE. SUNRISE, FL. 33223

MECHANICAL & PLUMBING PLAN

DRAWN: S.R.R.
 CHECKED: S. RIVERA
 DATE: 4-24-04
 SCALE: AS NOTED
 JOB No. 50 TENANT
 SHEET

MP-1