

1 WEST ARCHITECTURAL ELEVATION
SCALE: 1/8" = 1'-0"

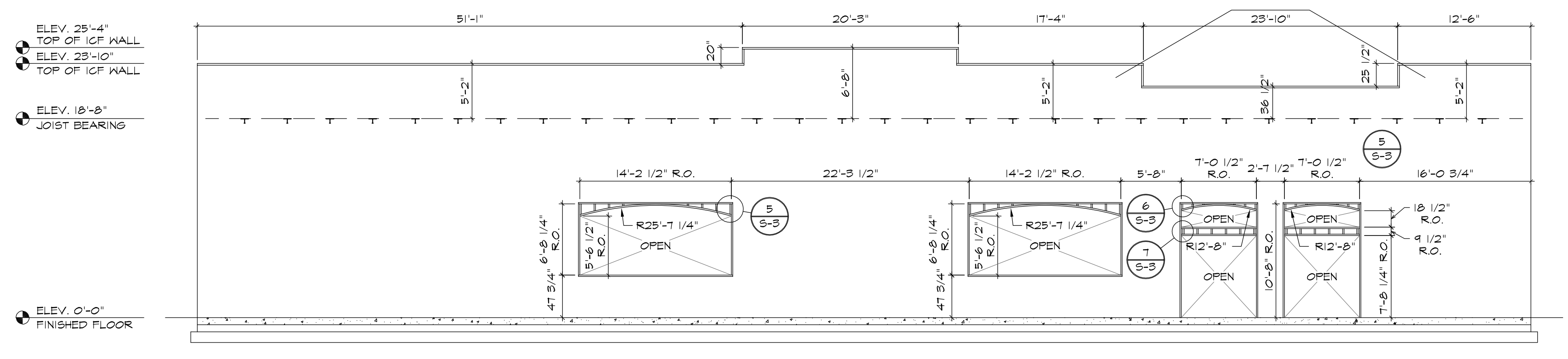
+ POS
- NEG
DENOTES DESIGN WIND PRESSURES IN PSF

NOTE:
ARCH. ELEV. SHOWN FOR REFERENCE ONLY REFER TO ARCH. ELEVATIONS FOR DETAILS & FINISHES.

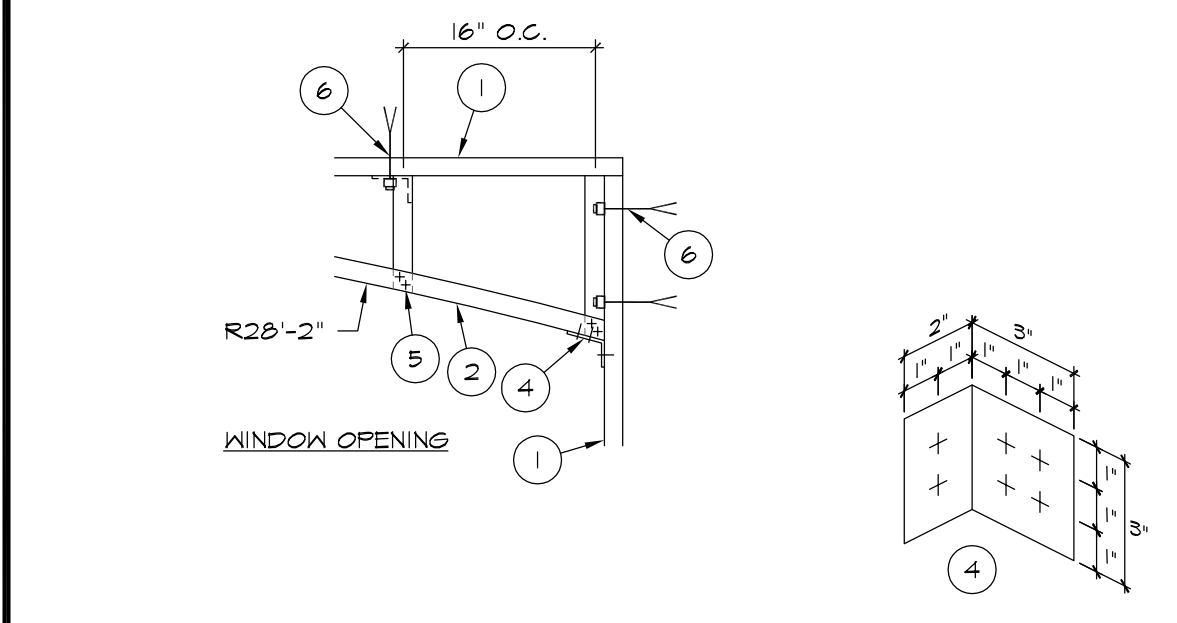
- KEY NOTES**
- 1 WALL OPENING FRAMING - ALL LUMBER TO BE 2X10 P.T. S.Y.P. #2 OR BETTER
 - 2 INFILL FRAMING - ALL STUDS TO BE 1 5/8 x 8" - 16 GA. METAL
 - 3 TRACK ABOVE DOOR AND BELOW TRANSOM TO BE MIN. 8" - 16 GA. INFILL STUDS TO BE 8" x 16 GA. PROVIDE ADDITIONAL ANCHORS - SEE DETAIL T THIS SHEET FOR ADDITIONAL INFORMATION
 - 4 16 GA. CLIP ANGLE
 - 5 ALL SCREW CONNECTIONS TO LIGHT GAUGE FRAMING TO USE #10 SELF DRILLING, SELF TAPPING SCREWS
 - 6 EXPANSION ANCHORS 3/4"Ø x 6" LONG, SPACED AT A MAX. OF 4" FROM ENDS AND 6" O.C. MAX. - SEE DETAILS 5, 6 AND 7 FOR ADDITIONAL ANCHOR LOCATIONS.

REVISIONS BY

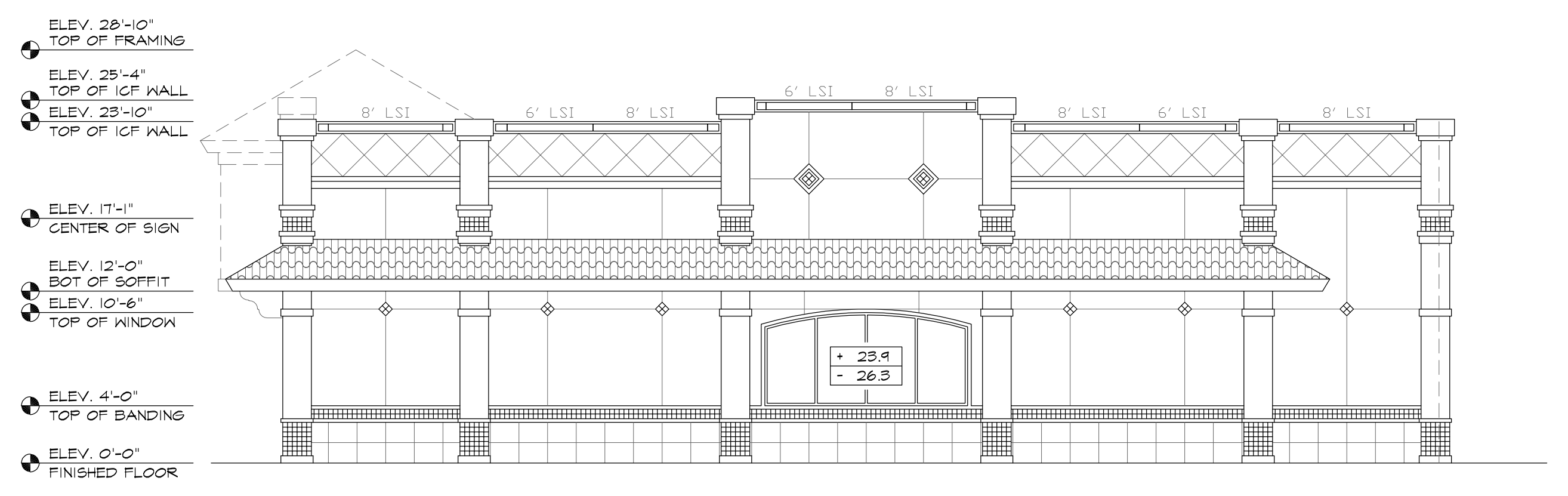
NO.	DESCRIPTION	BY



2 WEST STRUCTURAL ELEVATION
SCALE: 1/8" = 1'-0"



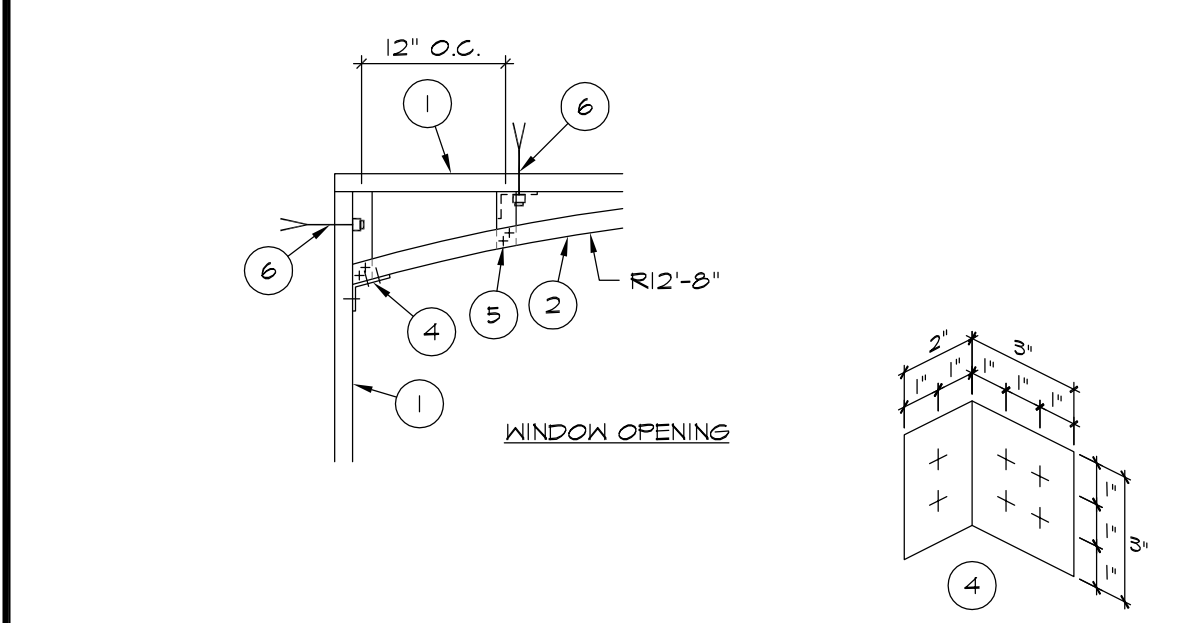
5 FRAMING AT WINDOW ARCH
SCALE: 3/4" = 1'-0"



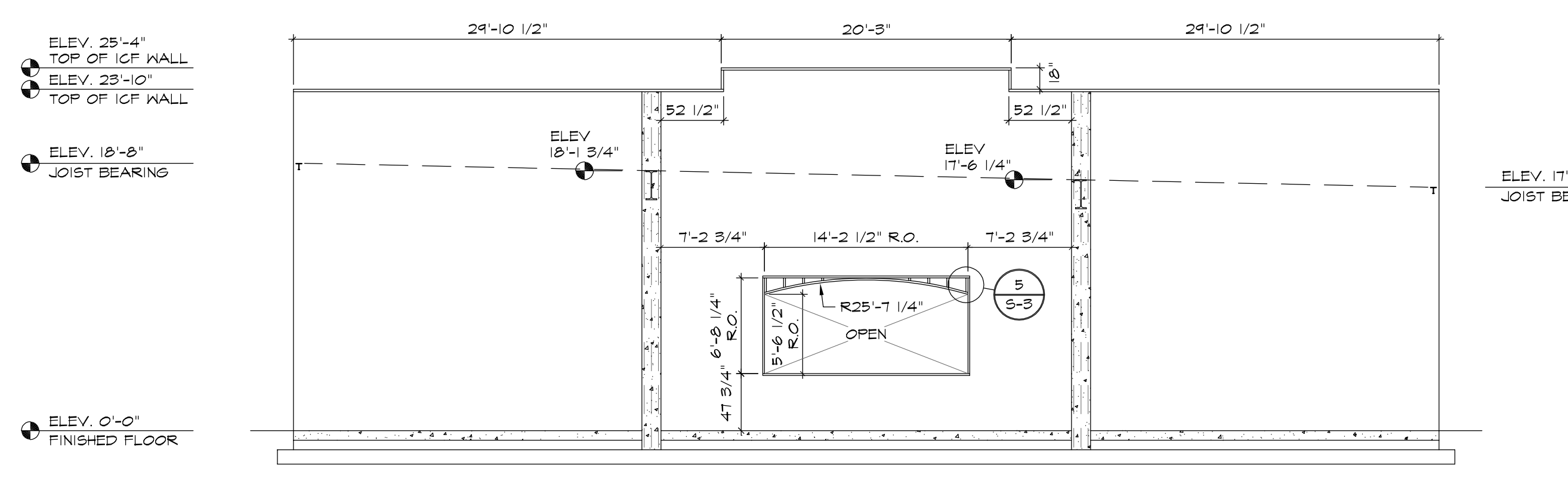
3 SOUTH ARCHITECTURAL ELEVATION
SCALE: 1/8" = 1'-0"

+ POS
- NEG
DENOTES DESIGN WIND PRESSURES IN PSF

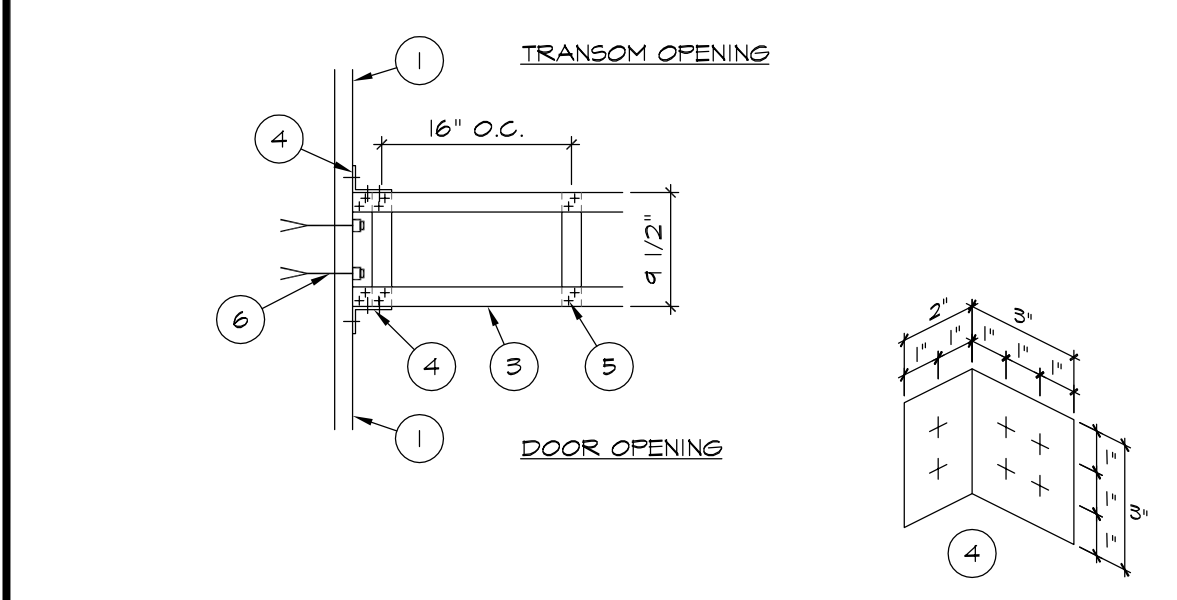
NOTE:
ARCH. ELEV. SHOWN FOR REFERENCE ONLY REFER TO ARCH. ELEVATIONS FOR DETAILS & FINISHES.



6 FRAMING AT DOOR ARCH
SCALE: 3/4" = 1'-0"



4 SOUTH STRUCTURAL ELEVATION
SCALE: 1/8" = 1'-0"



7 FRAMING AT AUTO-DOOR TRANSOM
SCALE: 3/4" = 1'-0"

Lindemann Bentzon Bojack
ENGINEERING DESIGN INSPECTION <<

290 CITRUS TOWER BLVD.
SUITE 200
CLERMONT, FLORIDA 34711
PHONE: (352) 242-0100
FAX: (352) 242-0302

ABC LIQUORS, INC.
8989 S. ORANGE AVE. - ORLANDO, FLA. 32809

ABC STORE NO. 59 B
LAKE WALES, FLORIDA

STRUCTURAL ELEVATIONS

DRAWN: M. MAISCO
CHECKED: S. RIVERA
DATE: 7-2-09
SCALE: AS NOTED
JOB No: 59 B
SHEET

S-3