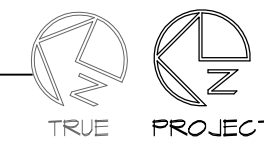


1 AWNING TRUSS LAYOUT
SCALE: 1/8" = 1'-0"



CONNECTORS

1. ALL PRE-FABRICATED, PRE-ENGINEERED TIMBER CONNECTORS ARE AS SPECIFIED WITHIN SIMPSON STRONG-TIE CATALOG C-2007, OR USP FULL LINE CATALOG 54TH EDITION.
2. CONNECTORS SHALL BE INSTALLED IN ACCORDANCE WITH THE INSTRUCTIONS GIVEN IN THE ABOVE REFERENCED CATALOG.
3. ALTERNATE CONNECTORS MAY BE ALLOWED PROVIDED THEY EQUAL OR EXCEED ALL SPECIFIC ALLOWABLE LOADS GIVEN IN THE ABOVE REFERENCED CATALOGS.

TIMBER TRUSSES

1. DESIGN OF PRE-ENGINEERED TRUSSES SHALL COMPLY WITH TPI DESIGN SPECIFICATIONS FOR METAL CONNECTED WOOD TRUSSES.
2. SUBMIT TRUSS ENGINEERING TO STRUCTURAL ENGINEER OF RECORD FOR REVIEW PRIOR TO FABRICATION. THE SUBMITTAL SHALL INDICATE DESIGN LOADS, WIND SPEED, HEIGHT ABOVE BEARING, TYPE OF EXPOSURE AND UPLIFT AND LATERAL LOADS AT BEARING POINTS.
3. CONTRACTOR SHALL PROVIDE ALL BRACING REQUIRED BY TRUSS MANUFACTURER'S DESIGN. TEMPORARY BRACING SHALL ALSO BE PROVIDED IN ACCORDANCE WITH TPI COMMENTARY AND RECOMMENDATIONS FOR BRACING WOOD TRUSSES H1B-91."

REVISIONS	BY

Lindemann
Bentzon
Bojack

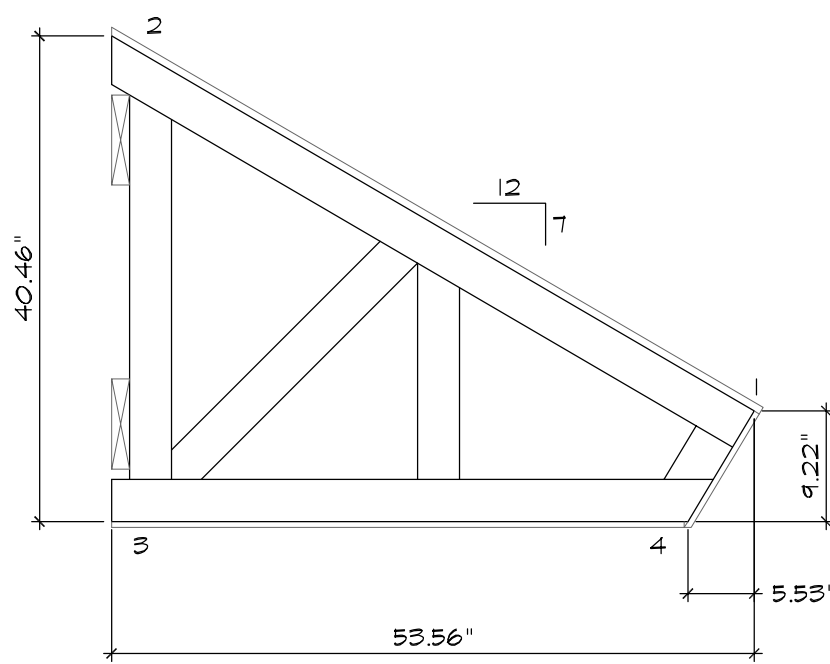
290 CITRUS TOWER BLVD.
SUITE 200
CLERMONT, FLORIDA 34711

PHONE: (352) 242-0100
FAX: (352) 242-0302

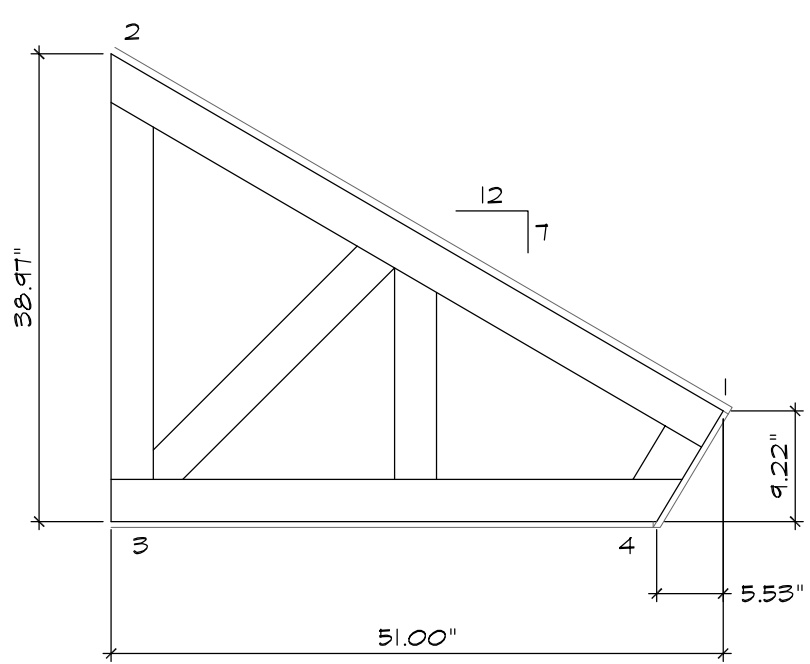
ENGINEERING DESIGN INSPECTION <<

ABC LIQUORS, INC.
8889 S. ORANGE AVE. - ORLANDO, FLA. 32809

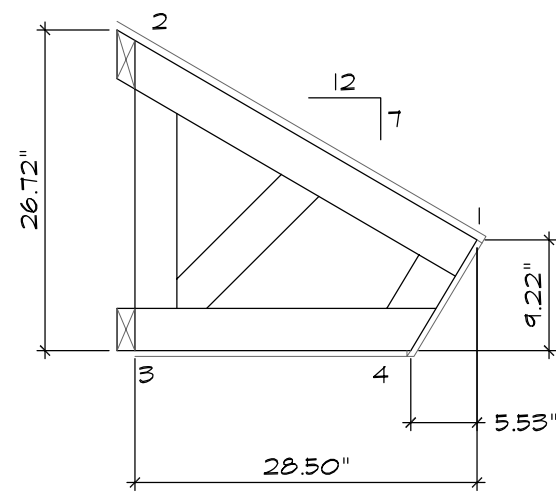
ABC STORE NO. 59 B
LAKE WALES, FLORIDA



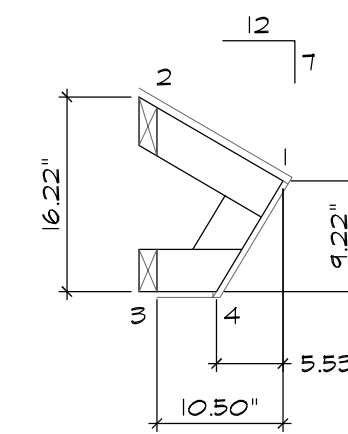
2 AWNING TRUSS A
SCALE: 3/4" = 1'-0" 7/8 REQUIRED



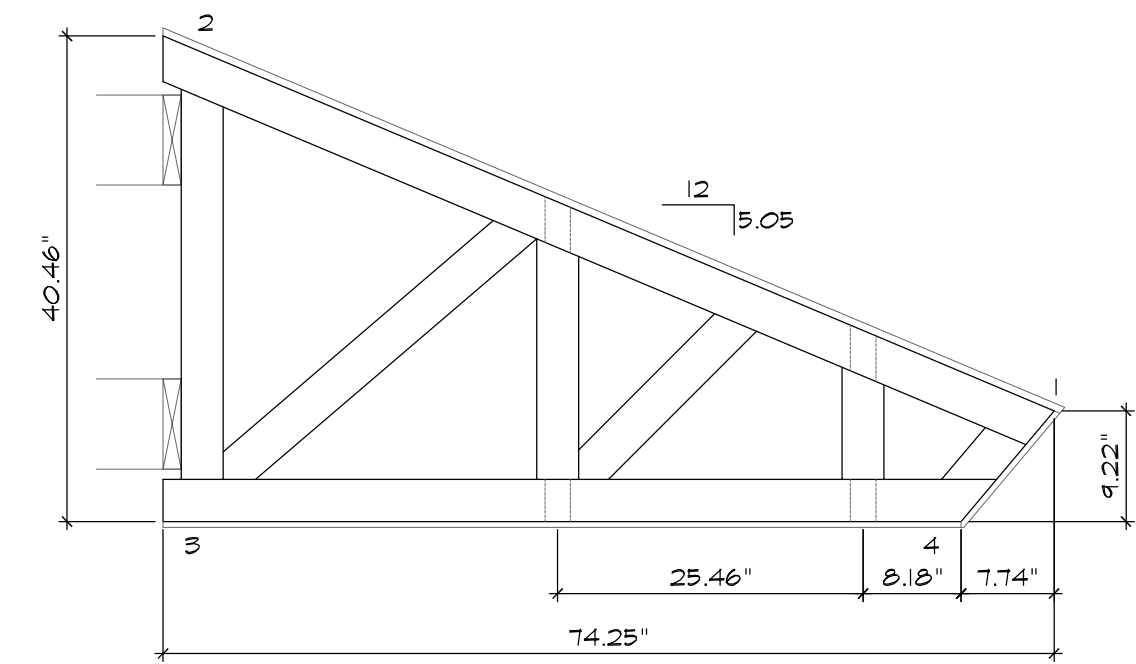
3 AWNING TRUSS B
SCALE: 3/4" = 1'-0" 8 REQUIRED



4 AWNING TRUSS C
SCALE: 3/4" = 1'-0" 1/8 REQUIRED



5 AWNING TRUSS D
SCALE: 3/4" = 1'-0" 1/8 REQUIRED



6 AWNING TRUSS E
SCALE: 3/4" = 1'-0" 9 REQUIRED

AWNING TRUSS LAYOUT

DRAWN: M. MAISCO
CHECKED: S. RIVERA
DATE: 7-2-09
SCALE: AS NOTED
JOB No: 59 B
SHEET

S-5