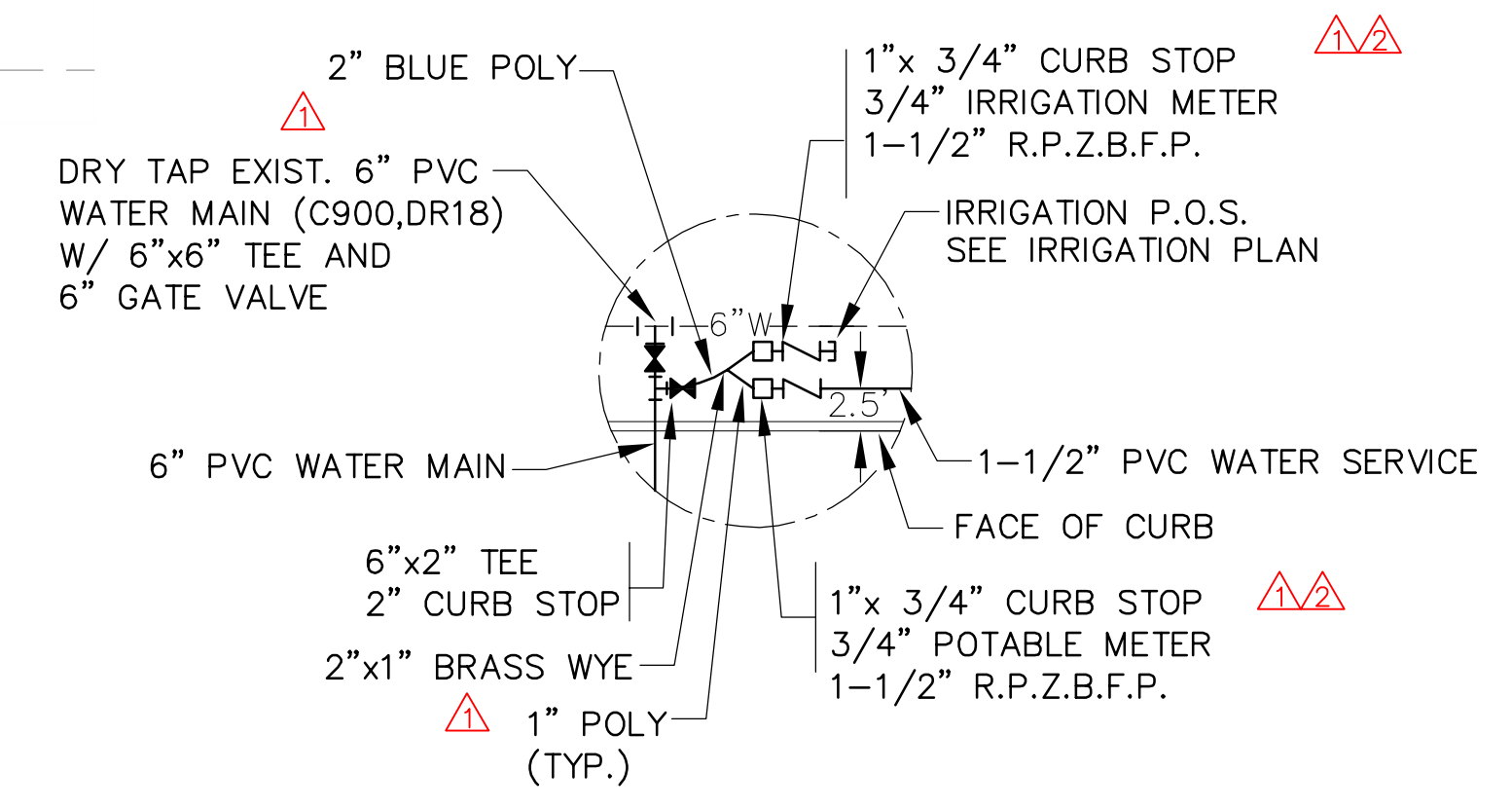


NOTES:

- 1) CONTRACTOR SHALL FIELD VERIFY HORIZONTAL AND VERTICAL LOCATIONS OF ALL EXISTING UTILITIES AND DRAINAGE SYSTEMS PRIOR TO CONSTRUCTION AND NOTIFY ENGINEER OF ANY DISCREPANCIES BETWEEN THESE PLANS AND ACTUAL FIELD CONDITIONS.
- 2) ALL UTILITIES INSTALLATION SHALL MEET OR EXCEED THE CITY OF LAKE WALES SPECIFICATIONS, LATEST EDITION.
- 3) ALL PVC PIPE AND POLYETHYLENE TUBING SHALL HAVE LOCATING WIRE INSTALLED.
- 4) IRRIGATION SLEEVES SHALL BE INSTALLED PER IRRIGATION PLAN. SEE SHEET IR-1 FOR LOCATIONS.
- 5) CONTRACTOR SHALL NOTIFY CITY INSPECTOR 48 HOURS PRIOR TO CORE BORE OF EXISTING SANITARY MANHOLE.

PIPE CROSSING DATA:

- P1: EXIST. 6" WM B/PIPE ELEV. ±119.0 (FIELD VERIFY)  
PROP. 24" HDPE T/PIPE ELEV. 118.4
- P2: PROP 6" WM B/PIPE ELEV. 120.9  
PROP. 15" HDPE T/PIPE ELEV. 118.5
- P3: EXIST. 6" WM B/PIPE ELEV. ±119.0 (FIELD VERIFY)  
PROP. 6" SAN. T/PIPE ELEV. 116.9

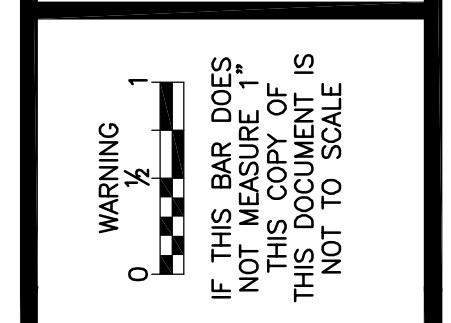


U. S. HIGHWAY No. 27

REVISIONS	BY
△ CITY COMMENTS	
△ CITY COMMENTS	CKS

**DRMP**  
ENGINEERS - SURVEYORS - PLANNERS - SCIENTISTS  
941 Lake Baldwin Lane - Orlando, Florida 32814  
Phone: 407.896.0594 Fax: 407.896.4836  
Florida Certificate of Authorization No. 2648

Dyer, Riddle, Mills, & Precourt, Inc.



JOHN C. KELLY, P.E.  
FLORIDA P.E. #44011

**ABC LIQUORS, INC.**  
8889 S. ORANGE AVE. - ORLANDO, FLA. 32824

**ABC FINE WINE & SPIRITS STORE NO. 59**  
U.S. HIGHWAY 27, LAKE WALES, FLORIDA 33888

DRAWN:	CKS
CHECKED:	JCK
DATE:	DEC. 2008
SCALE:	1" = 20'
JOB No:	08-0606.000
SHEET:	6 OF 25

06

UTILITIES AND DRAINAGE PLAN

C:\08\_0606\_000\08\_0606\_000\_06.dwg