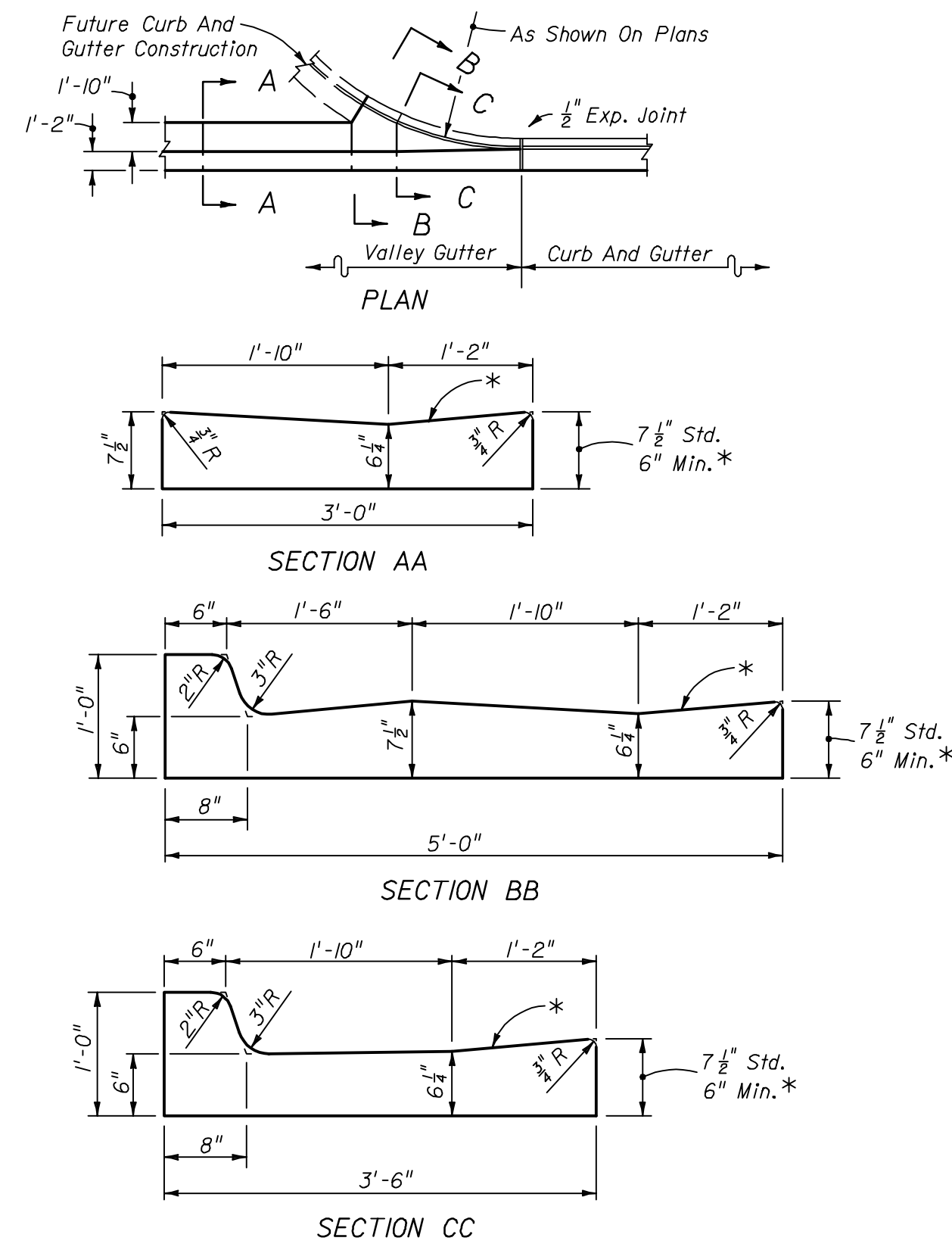
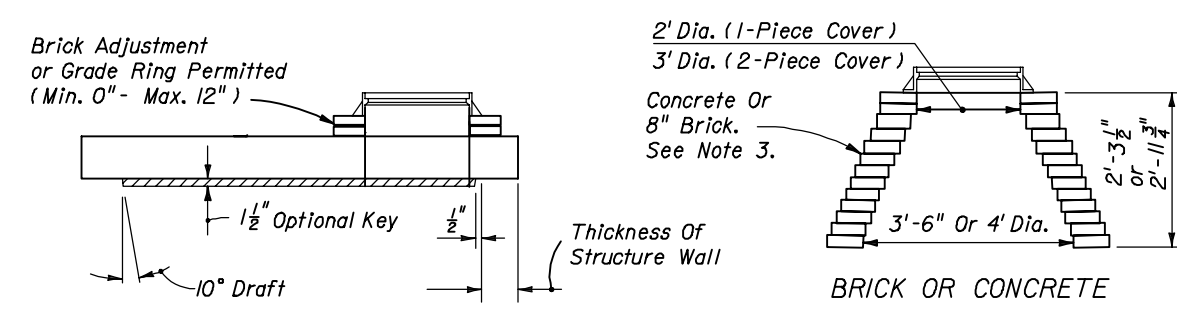


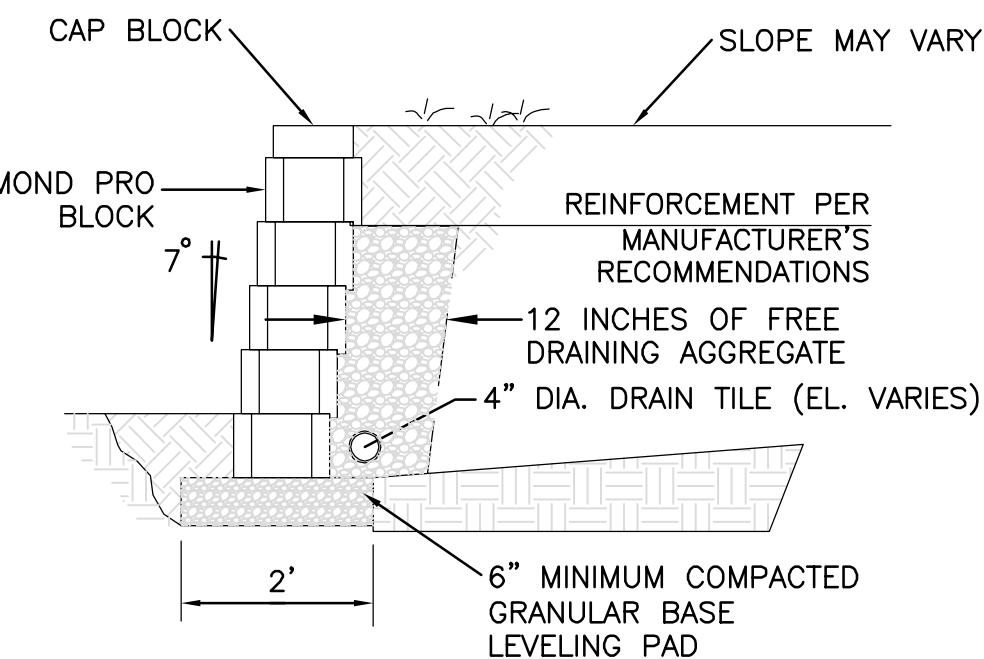
* When used on high side of roadways, the cross slope of the gutter shall match the cross slope of the adjacent pavement. The thickness of the lip shall be 6", unless otherwise shown on plans.



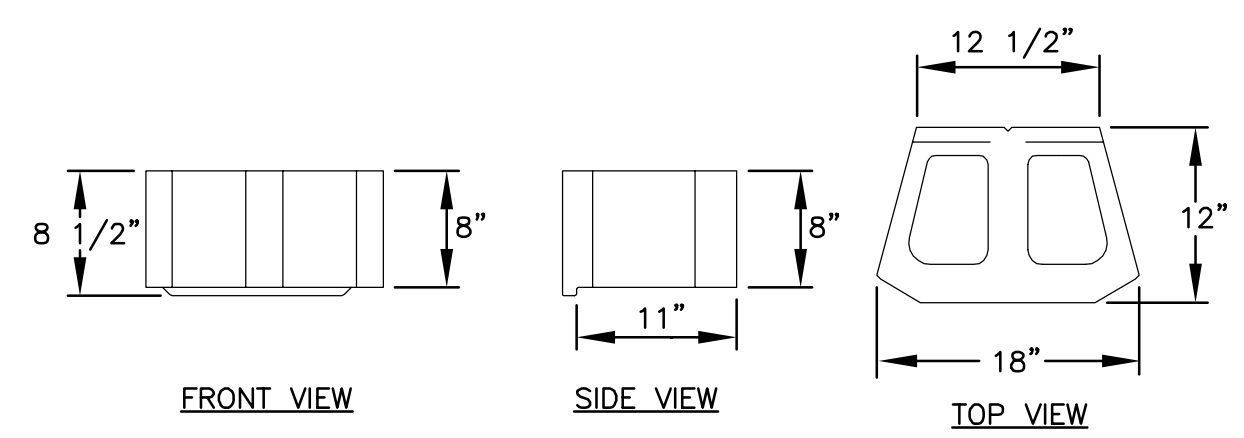
15 VALLEY GUTTER
N.T.S. FDOT INDEX NO. 300



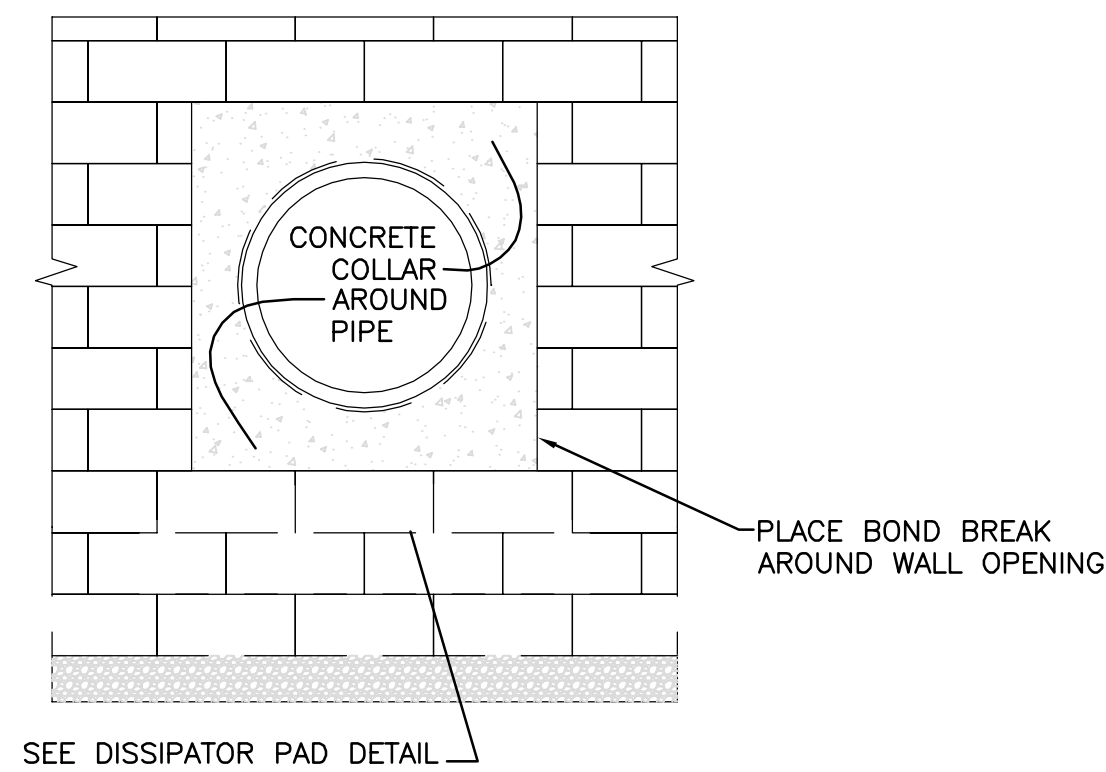
16 GRAVITY WALL - ANCHOR WALL SYSTEMS
N.T.S.



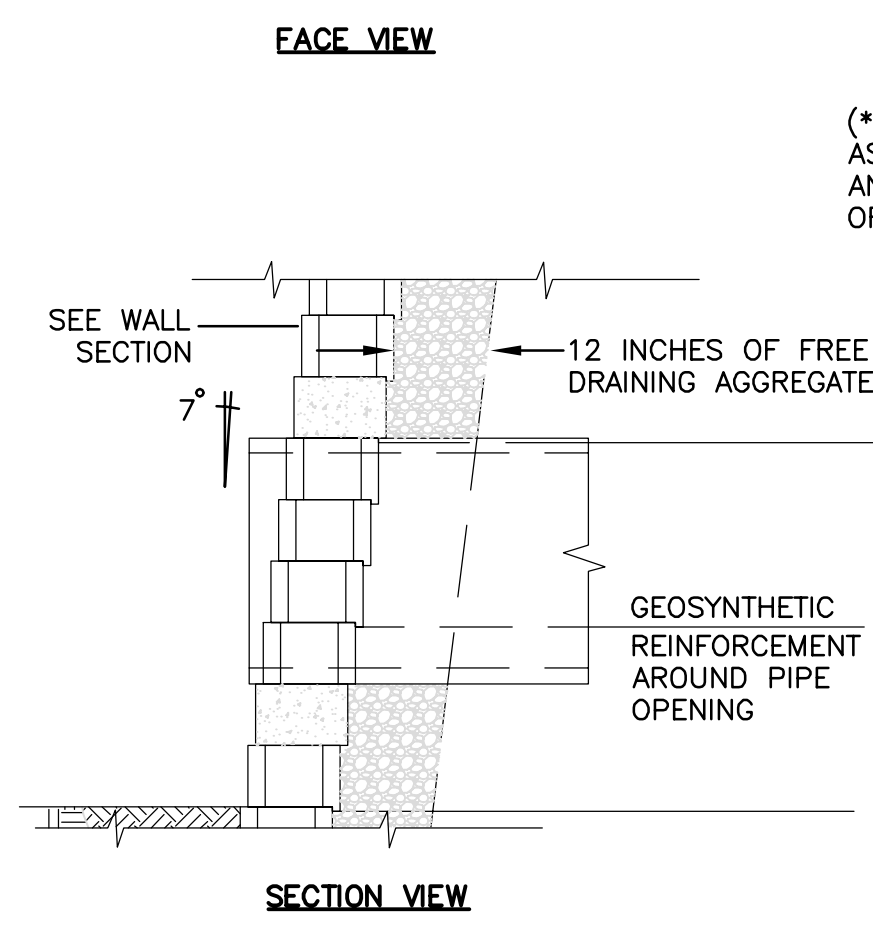
TYPICAL GRAVITY WALL SECTION



BEVELED UNITS



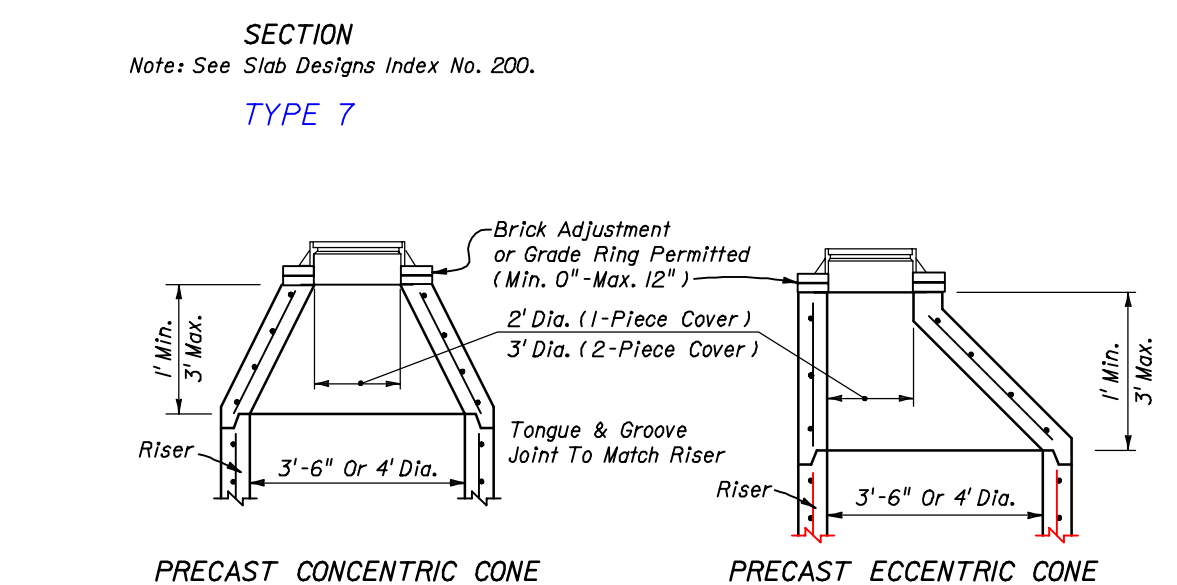
18 PAVERS AT PARKING STALLS
N.T.S. (NOTE: DETAIL FOR PARKING STALL LOCATION ONLY. DO NOT USE FOR VEHICULAR DRIVE AISLES)



PIPE PENETRATION DETAIL

TYPICAL GRAVITY WALL SECTION

(* DIAMOND PRO BLOCK AS MANUFACTURED BY ANCHOR WALL SYSTEMS OR APPROVED EQUAL.



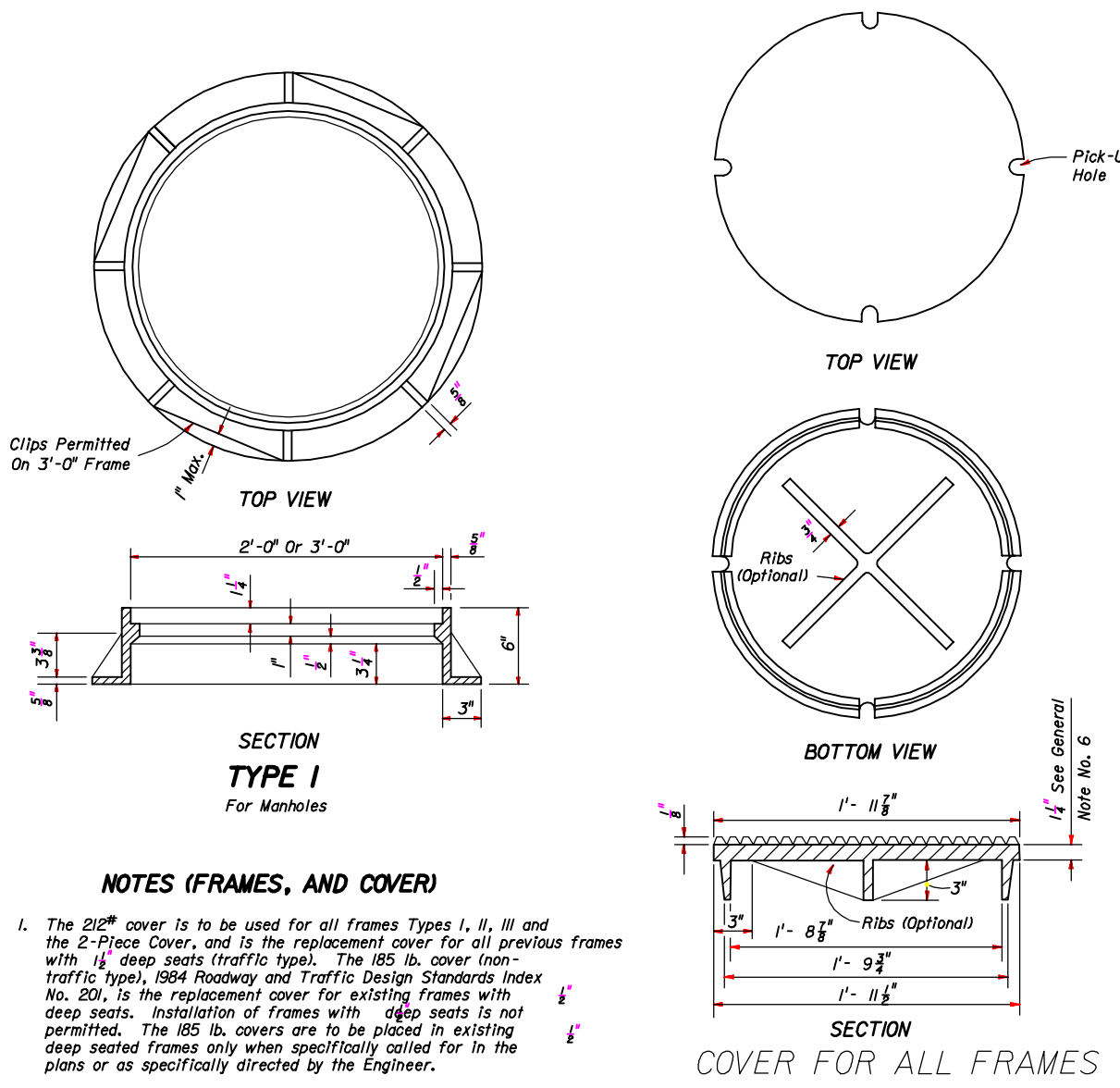
PRECAST CONCENTRIC CONE PRECAST ECCENTRIC CONE

MANHOLE TOPS

NOTES (TOPS)

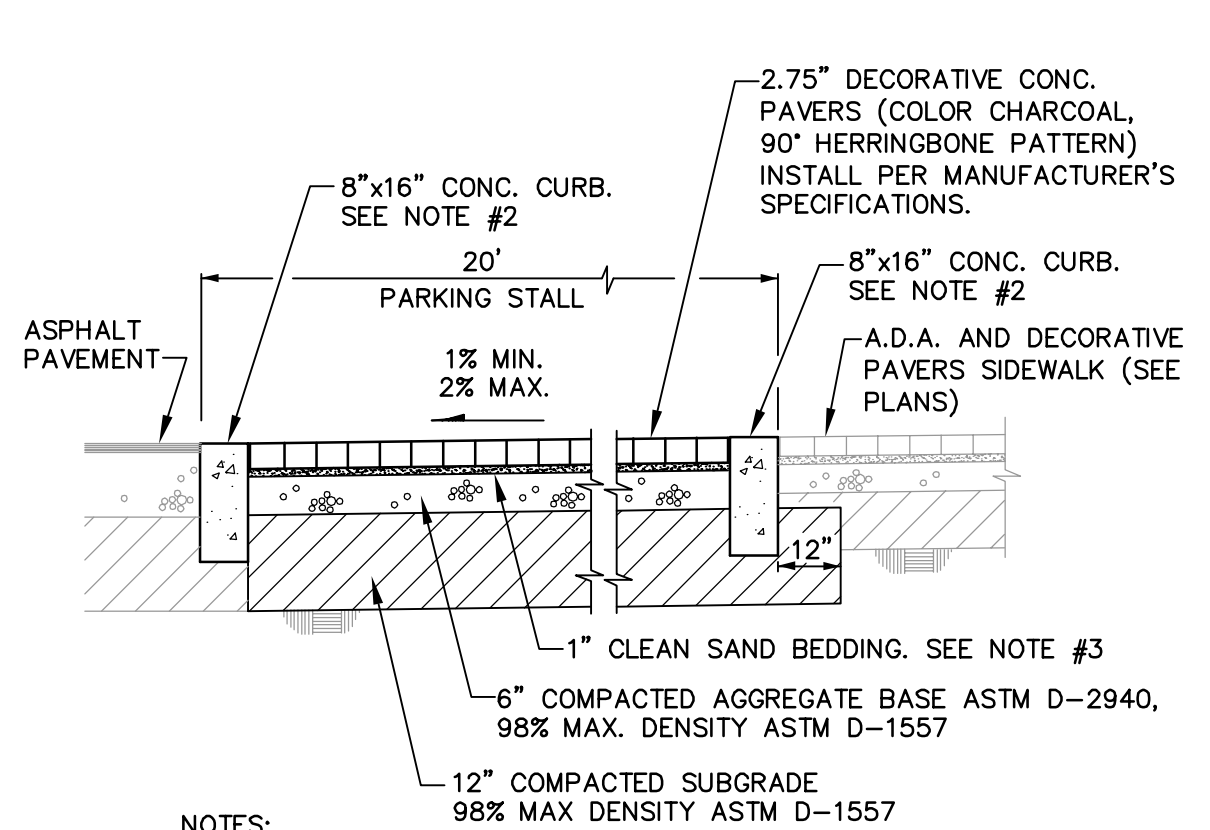
- Manhole top Type 7 slabs shall be of Class II concrete. Concrete as specified in ASTM C-478 may be used for precast units; see General Note No. 3.
- Manhole top Type 7 slabs may be of cast-in-place or precast construction. The optional key is for precast tops and in lieu of dowels. Frame and slab openings are to be omitted when top is used over a junction box.
- Manhole top Type 8 may be of cast-in-place or precast concrete construction or brick construction. For concrete construction, the concrete and steel reinforcement shall be the same as the supporting wall units. An eccentric cone may be used.
- Manhole tops shall be secured to structures by optional construction joints as shown on Sheet 3 of 6.

17 FDOT STORM MANHOLE TOPS (INDEX NO. 201)
N.T.S.

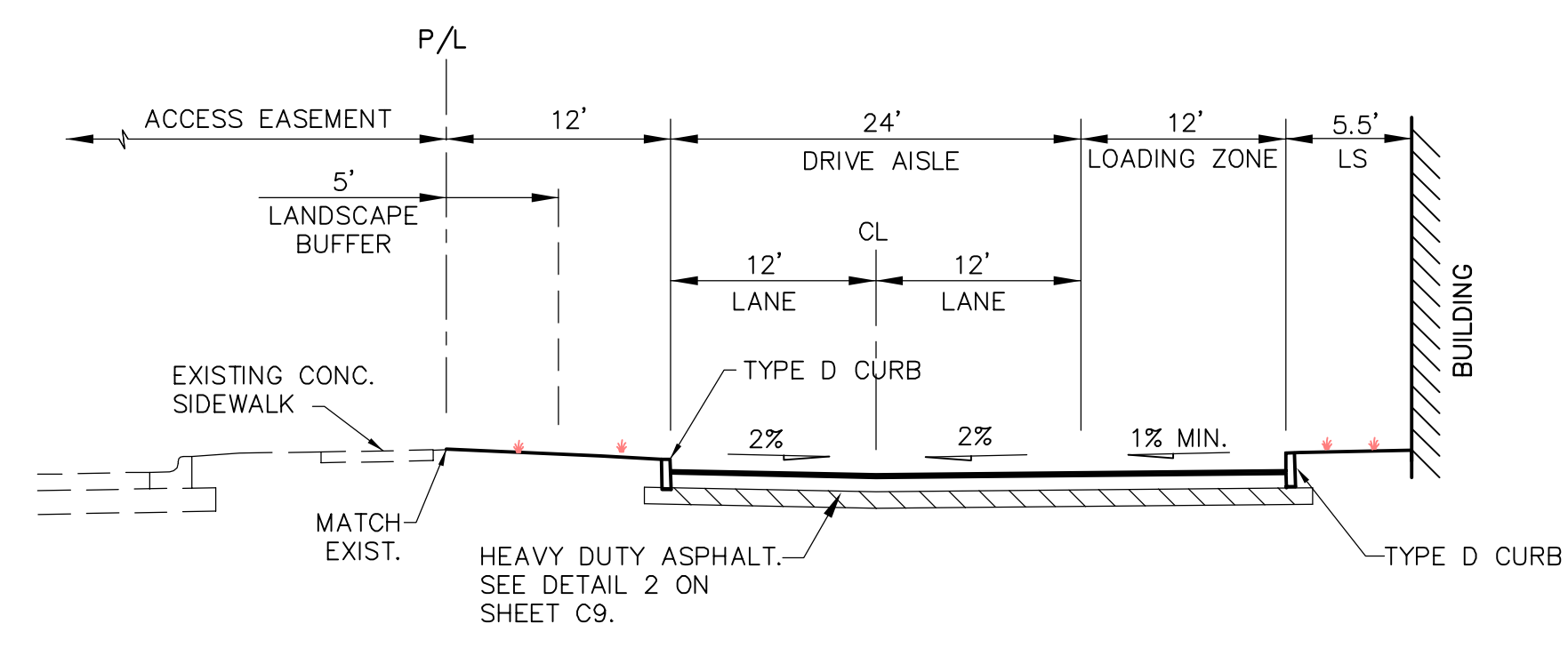


NOTES (FRAMES, AND COVER)

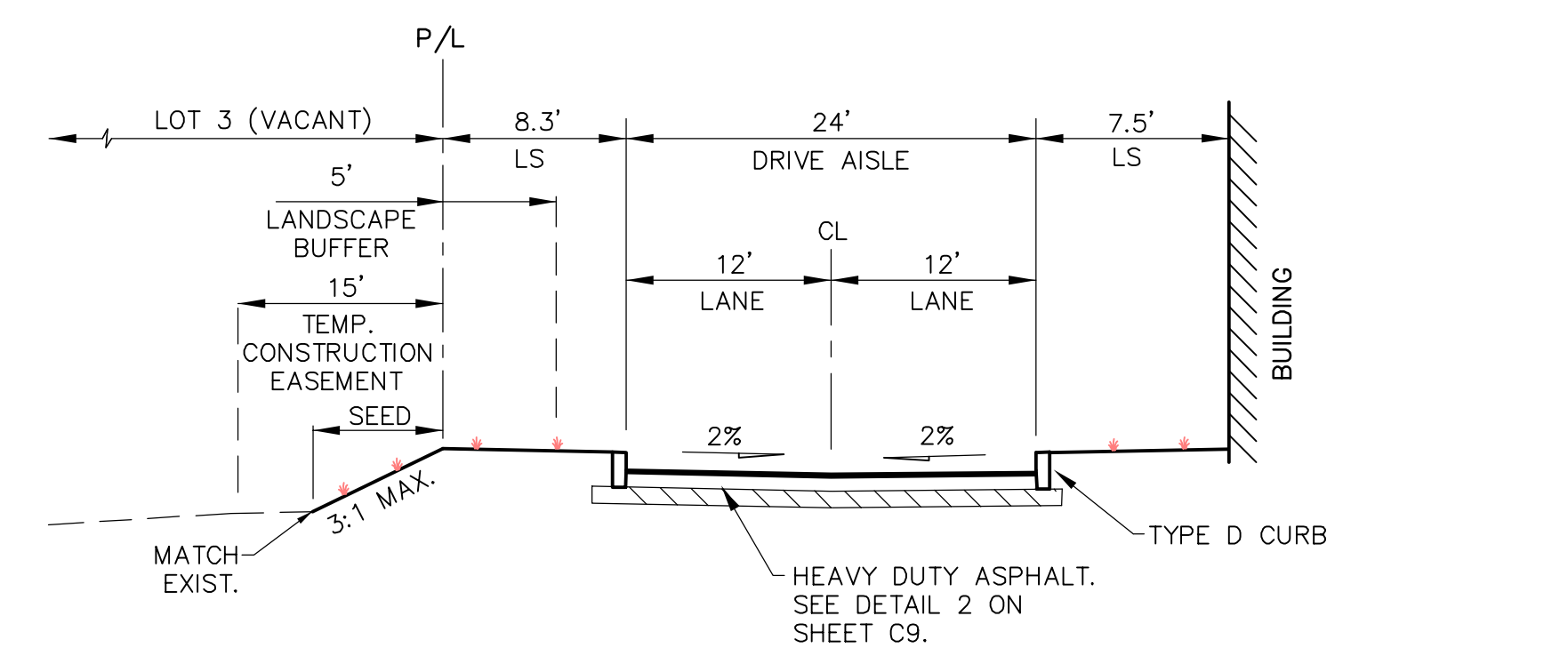
- The 2-Piece cover is to be used for all frames Types I, II, III and the 2-Piece Cover, and is the replacement cover for all previous frames with 1/4" deep seats (traffic type). The 1-Piece cover is for traffic type, 1984 Roadway and Traffic Design Standards Index No. 202, is the replacement cover for existing frames with deep seats. Installation of frames with 1/4" seats is not permitted. The 1-Piece cover is to be placed in setting deep seated frames only when specifically called for in the plans or as specifically directed by the Engineer.



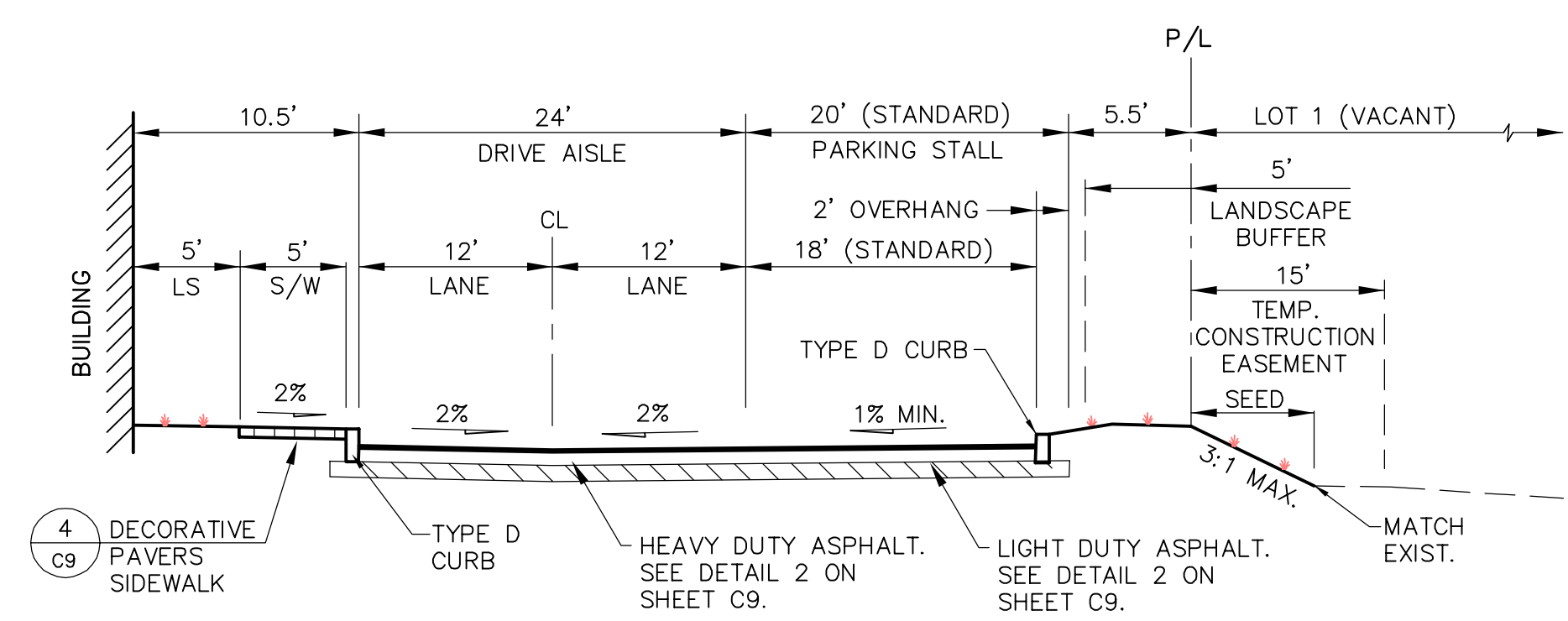
18 PAVERS AT PARKING STALLS
N.T.S. (NOTE: DETAIL FOR PARKING STALL LOCATION ONLY. DO NOT USE FOR VEHICULAR DRIVE AISLES)



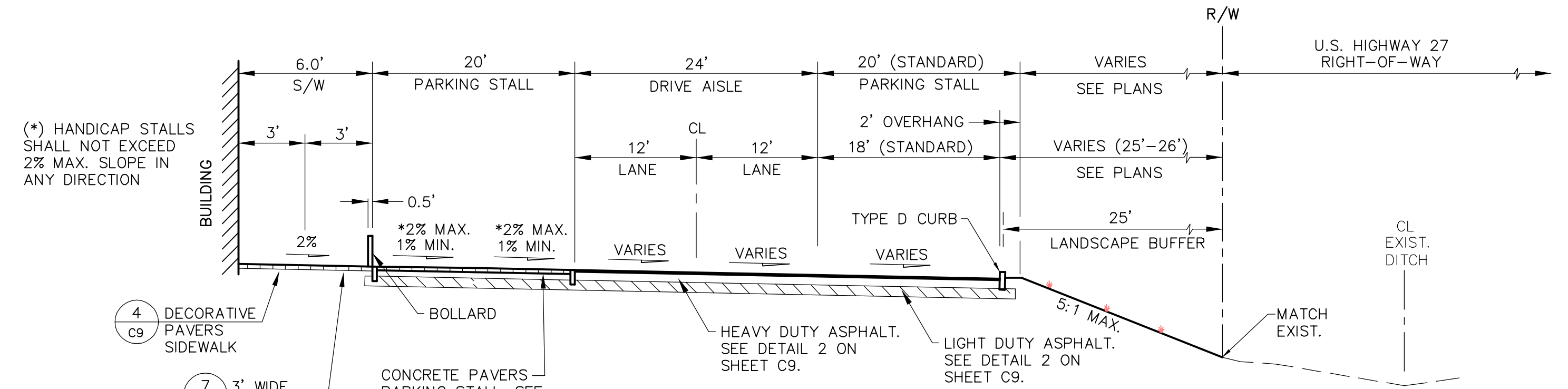
D CROSS SECTION D-D
N.T.S.



C CROSS SECTION C-C
N.T.S.



B CROSS SECTION B-B
N.T.S.



A CROSS SECTION A-A
N.T.S.

REVISIONS	BY

DRMP
ENGINEERS - SURVEYORS - PLANNERS - SCIENTISTS
941 Lake Baldwin Lane - Orlando, Florida 32814
Phone: 407.896.0594 Fax: 407.896.4836
Florida Certificate of Authorization No. 2648

Dyer, Riddle, Mills, & Precourt, Inc.

WARNING
IF THIS BAR DOES NOT MEASURE 1" THIS COPY OF THE DOCUMENT IS NOT TO SCALE

JOHN C. KELLY, P.E.
FLORIDA P.E. #44011

ABC LIQUORS, INC.
8889 S. ORANGE AVE. - ORLANDO, FLA. 32824
ABC FINE WINE & SPIRITS STORE NO. 59
U.S. HIGHWAY 27, LAKE WALES, FLORIDA 33888

DRAWN:	CKS
CHECKED:	JCK
DATE:	DEC. 2008
SCALE:	AS NOTED
JOB No:	08-0606.000
SHEET:	11 OF 25

PAVING AND DRAINAGE DETAILS