

REVISIONS	BY
△ CITY COMMENTS	
△ CITY COMMENTS	CKS

DRMP
 ENGINEERS • SURVEYORS • PLANNERS • SCIENTISTS
 941 Lake Baldwin Lane - Orlando, Florida 32814
 Phone: 407.896.0594 Fax: 407.896.4836
 Florida Certificate of Authorization No. 2648

Dyer, Riddle, Mills, & Precourt, Inc.

WARNING
 IF THIS BAR DOES NOT MEASURE 1" = 20' THIS COPY OF THE DRAWING IS NOT TO SCALE

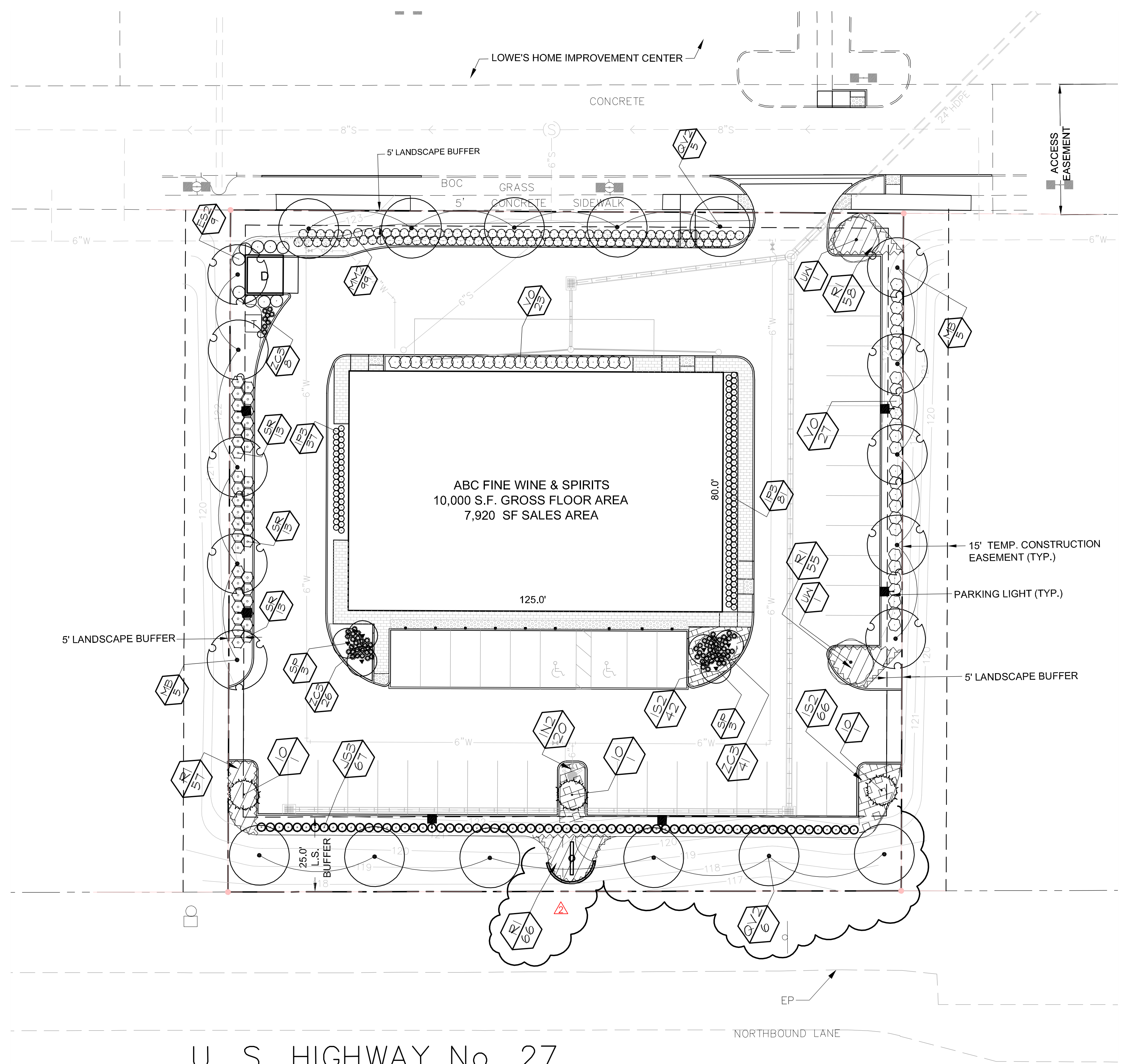
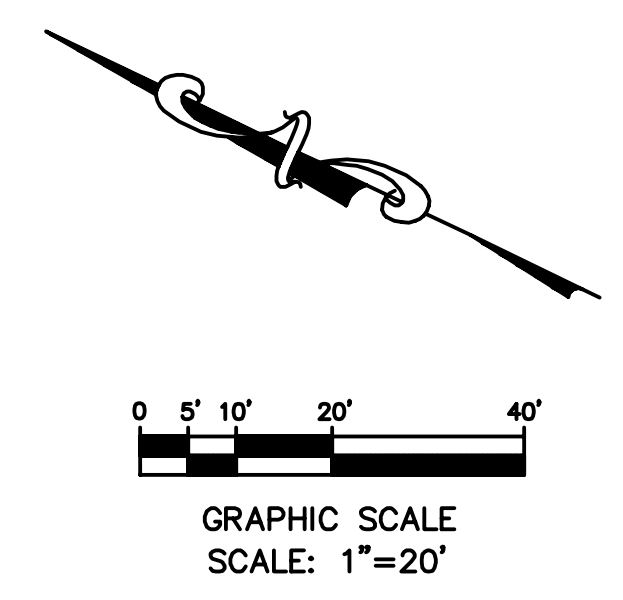
SCOTT V. MOORE
 FLORIDA R.L.A. #1020

ABC LIQUORS, INC.
 8889 S. ORANGE AVE. - ORLANDO, FLA. 32824
ABC FINE WINE & SPIRITS STORE NO. 59
 U.S. HIGHWAY 27, LAKE WALES, FLORIDA 33888

DRAWN:	RAG
CHECKED:	SVM
DATE:	DEC. 2008
SCALE:	1" = 20'
JOB No:	08-0606.000
SHEET:	18 OF 25

LANDSCAPE PLAN

Rosendale Planning & Design
 703 GREENS AVENUE
 WINTER PARK, FLORIDA 32789
 PHONE: 407-647-1213



PLANT LIST:

TREES	CODE	QTY	BOTANICAL/COMMON	CONT	CAL	SIZE
	IO	3	ILEX OPAGA / AMERICAN HOLLY	3" GAL	10' MIN	
	MB	10	MAGNOLIA GRANDIFLORA 'BRACKEN BROWN' / BRACKEN BROWN MAGNOLIA	30 GAL	2" CAL	8' MIN. HT.
	QV2	11	QUERCUS VIRGINIANA / SOUTHERN LIVE OAK	15' HT X 5' SPR, 3" CAL		
	SP	6	SABAL PALMETTO / PALMETTO	16' HT, B4B		10' -12' C.T.
	UK	2	ULMUS ALATA / KINGED ELM	15 GAL	2" CAL	8' MIN. HT.
SHRUBS	CODE	QTY	BOTANICAL/COMMON	CONT	MIN. HT.	
	ES2	9	EUGENIA AXILLARIS / WHITE STOPPER	15 GAL		24"
	IP3	11B	ILICUM FLORIDANUM / PURPLE ANISE NATIVE, LOW WATER USE	3 GAL		
	J53	67	JUNIPERUS CHINENSIS 'SEA GREEN' / SEA GREEN JUNIPER	3 GAL		
	MM2	49	MYRTICA CERIFERA 'DWARF' / DWARF WAX MYRTLE HIGH DROUGHT TOLERANCE	3 GAL		18"-24"
	SR	39	SERENDA REPENS / SAW PALMETTO	3 GAL		
	VO	50	VIBURNUM OBOVATUM / WALTER'S VIBURNUM	3 GAL		
	ZC3	75	ZAMIA FLORIDANA / COONTIE	3 GAL		
SHRUB AREAS	CODE	QTY	BOTANICAL/COMMON	CONT		
	IN2	20	ILEX CORNUTA 'NEEDLEPOINT' / CHINESE NEEDLEPOINT HOLLY	3 GAL @ 36" OC		
	IS2	10B	ILEX VOMITORIA 'SCHILLINGS DWARF' / SCHILLINGS YAUPON	3 GAL @ 24" OC		
	RI	236	RHAPHIOLEPIS INDICA / INDIAN HAWTHORN	3 GAL @ 24" OC		

U:\59_Landscapes\59.dwg

I:\s\mact\Project\080606_000_abc_liquors_store_no_59\landscapes\59.dwg, 6/27/2009 10:33:36 PM, Adobe PDF 24.00LJ.d