



ARCHITECTURE
PLANNING
INTERIOR DESIGN

2425 WEST LOOP SOUTH
SUITE 665
HOUSTON TEXAS 77027
FAX 713-552-9810
713-552-0707
WWW.MGARCHITECTS.COM

CONSULTANTS

STRUCTURAL ENGINEER:
SCA Consulting Engineers
12511 Emily Court
Sugar Land, Texas 77478
C.O.A. #9406

M/E/P ENGINEER:
Henderson Engineers

FL #49394
GERALD T. WYNN



Aloma Walk Branch
Aloma Ave.
Oviedo, FL 32765

ISSUE:	MARK	DATE	DESCRIPTION
		10-13-09	PRELIM ISSUE
		11-23-09	INTERNAL REVIEW
		12-02-09	ISSUE FOR PERMIT
		03-05-10	DIMENSIONS REVISION

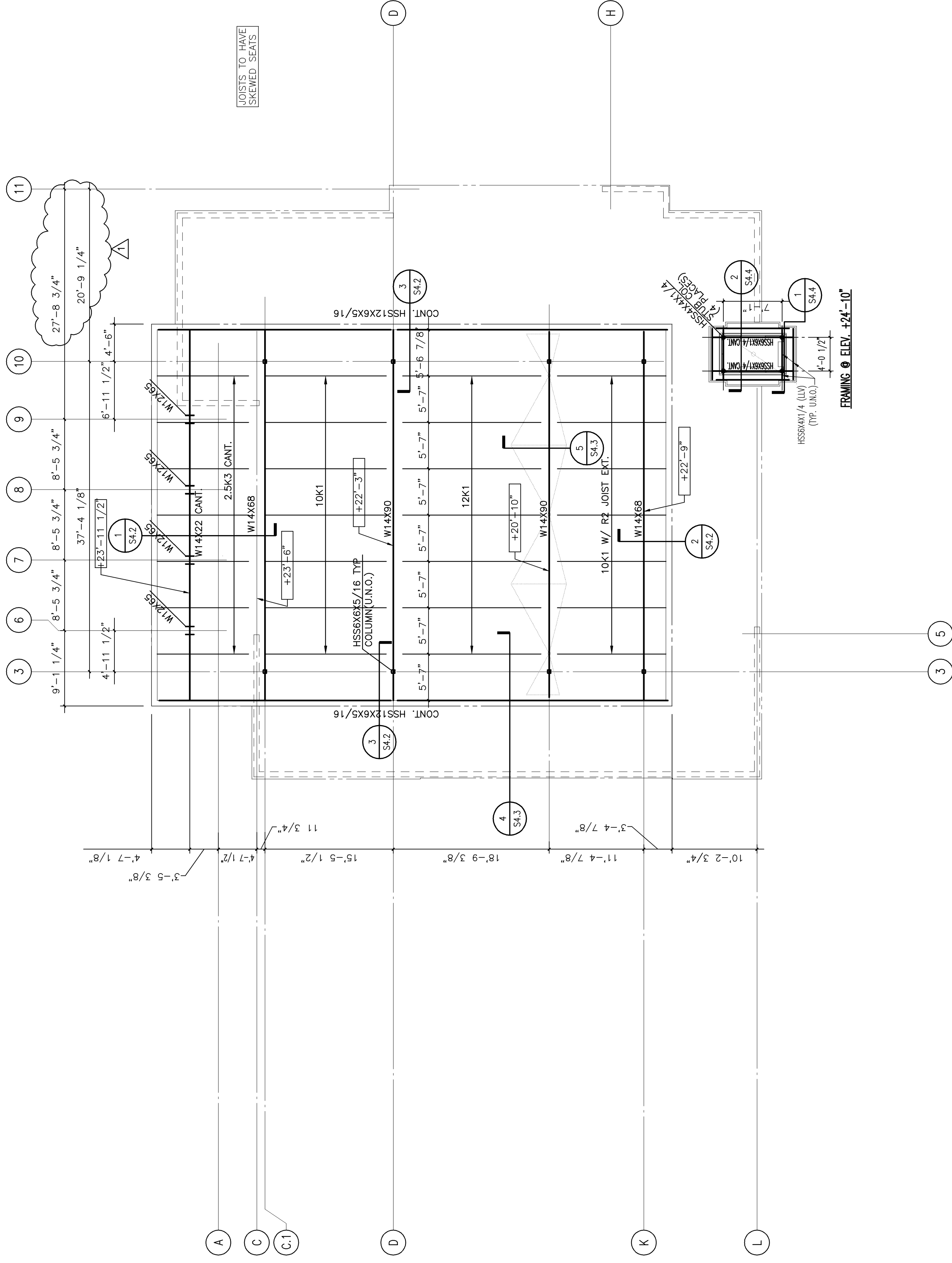
△

PROJECT NO:
09-529.a

HIGH ROOF FRAMING PLAN

S2.2

JAL29202



HIGH ROOF FRAMING PLAN

SCALE: 1/8" = 1'-0"