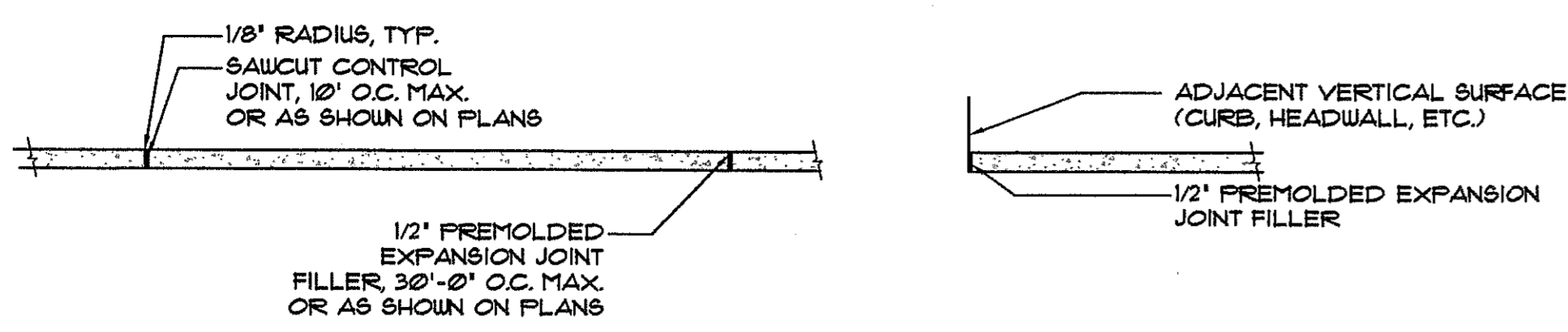
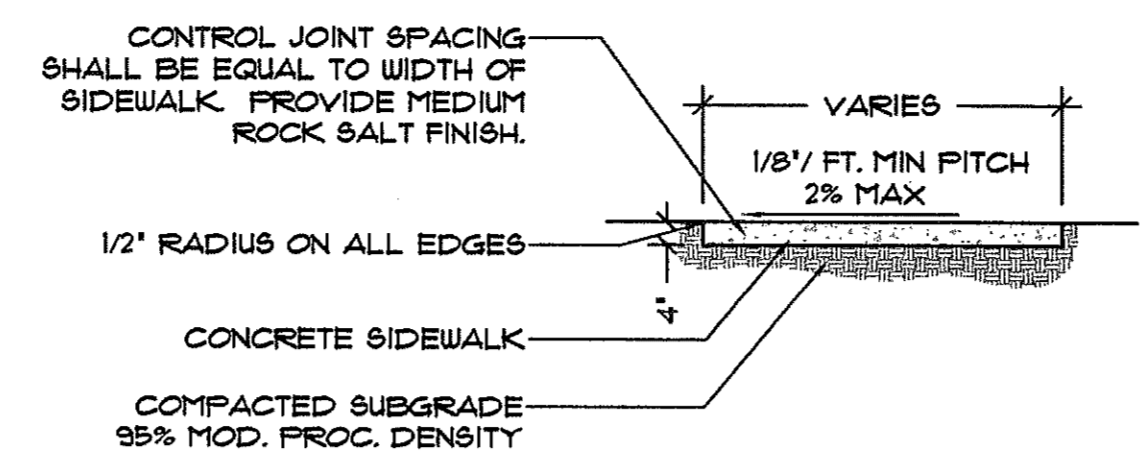




LITE STAR SERIES
 FLOOD UPLIGHT
 MODEL# LS-8-BZF-7-9-1 50W, 40 DEGREES
 COLOR BRONZE
 BK LIGHTING:
 AVAILABLE THROUGH:
 SESCO LIGHTING
 REP: DAN SHULMAN
 (407) 629-6100

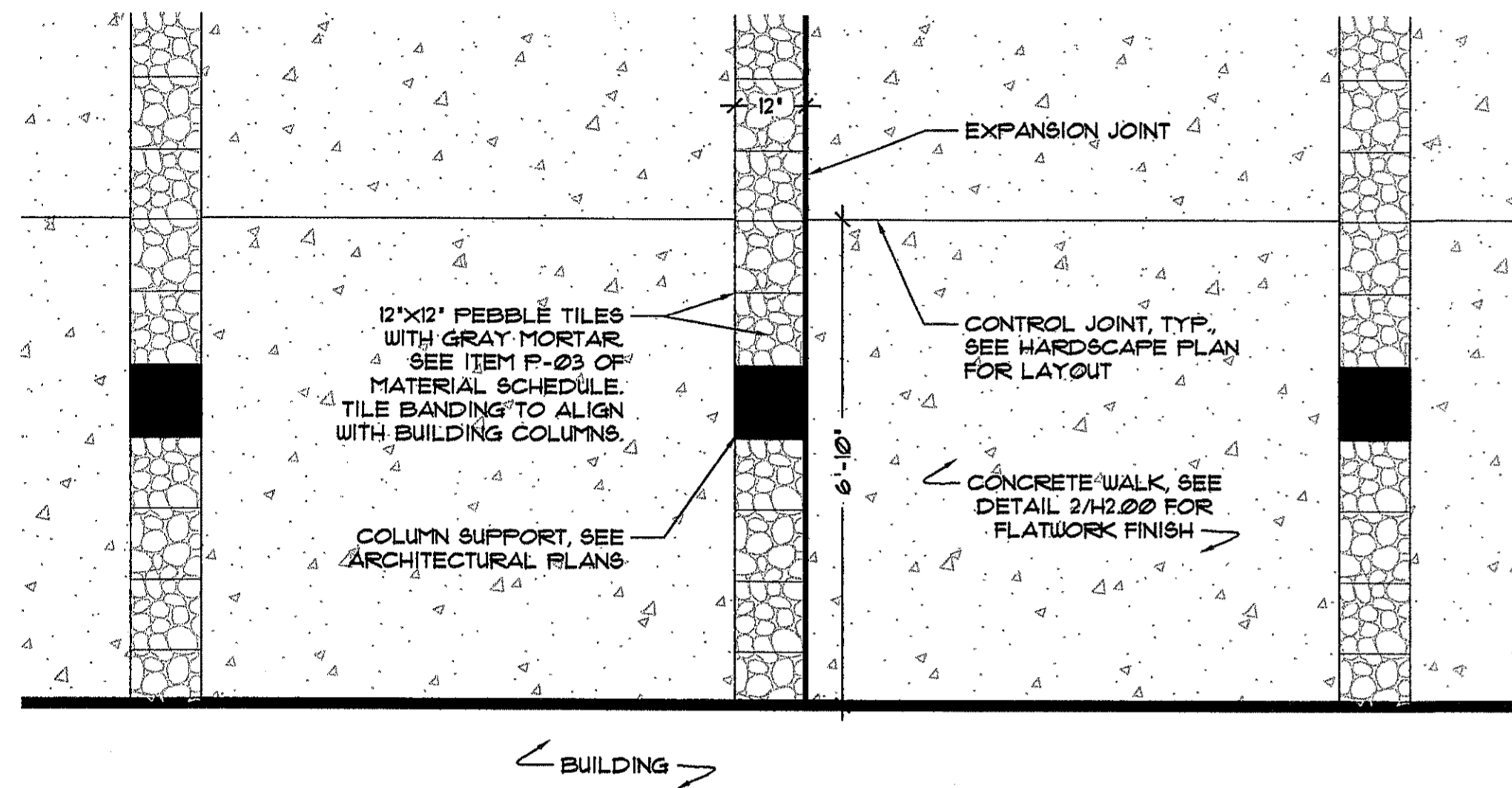


1 TYPICAL CONCRETE SIDEWALK
 SCALE: 3/8"=1'-0"
 SECTION

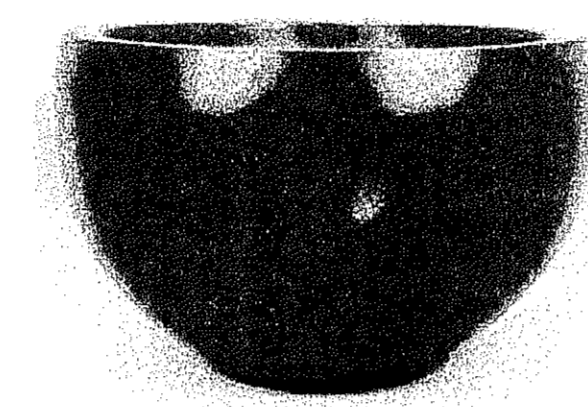


2 TYPICAL CONCRETE FLATWORK
 SCALE: 3/8"=1'-0"
 SECTION

3 LANDSCAPE UPLIGHT
 SECTION

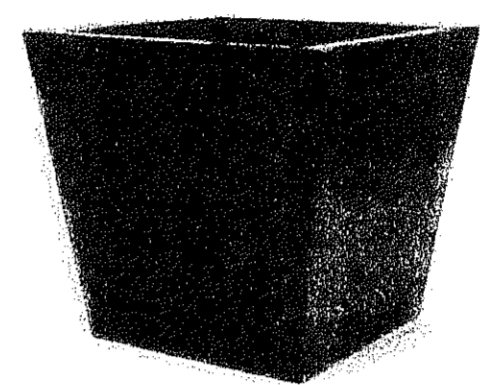


4 PEBBLE TILE BANDS AT ENTRY PAVING
 SCALE: 1/2"=1'-0"
 PLAN



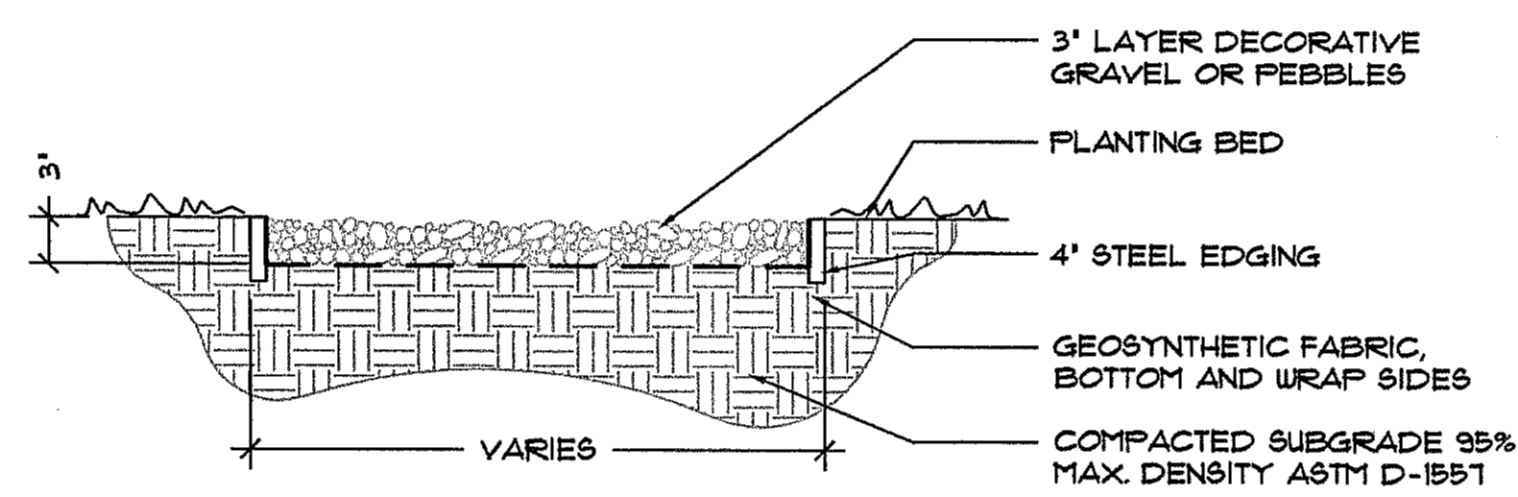
IAP CONTEMPORARY PLANTERS
 PLANTER 037-WAIMEA
 ROUND FIBERGLASS PLANTER POT
 42" DIA. (OUTSIDE DIMENSIONS)
 32" HT. (OUTSIDE DIMENSIONS)
 COLOR BRONZE
 AVAILABLE THROUGH:
 IAP CONTEMPORARY PLANTERS
 WWW.IAPSF.COM
 1800.426.6471

5 ROUND PLANTER POT
 SECTION

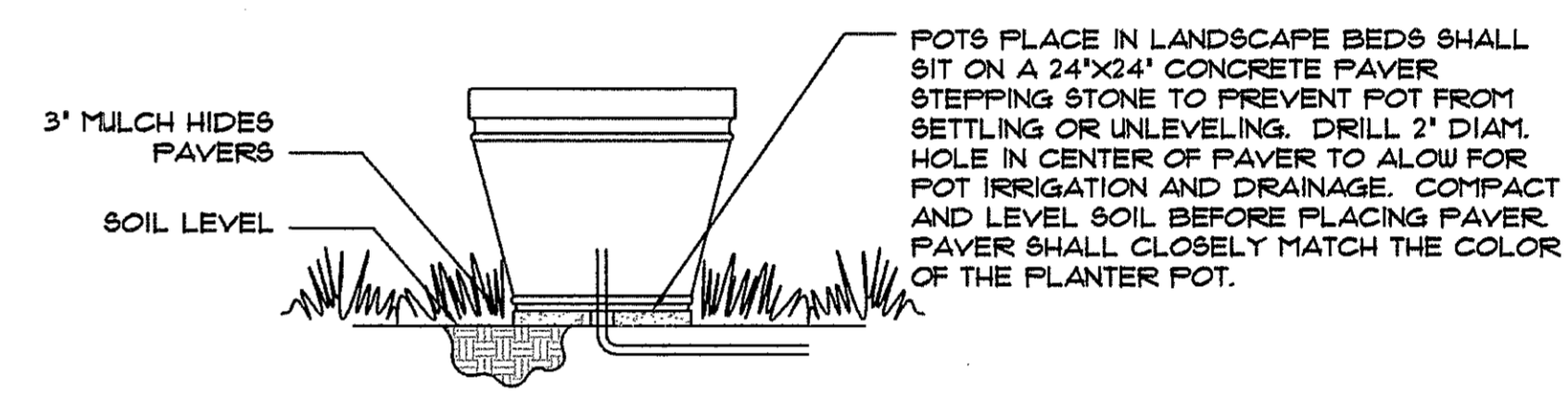


IAP CONTEMPORARY PLANTERS
 PLANTER 041-ORBIT
 SQUARE FIBERGLASS PLANTER POT
 32"x32" DIA. (OUTSIDE DIMENSIONS)
 27" HT. (OUTSIDE DIMENSIONS)
 COLOR BRONZE
 AVAILABLE THROUGH:
 IAP CONTEMPORARY PLANTERS
 WWW.IAPSF.COM
 1800.426.6471

6 SQUARE PLANTER POT
 SECTION

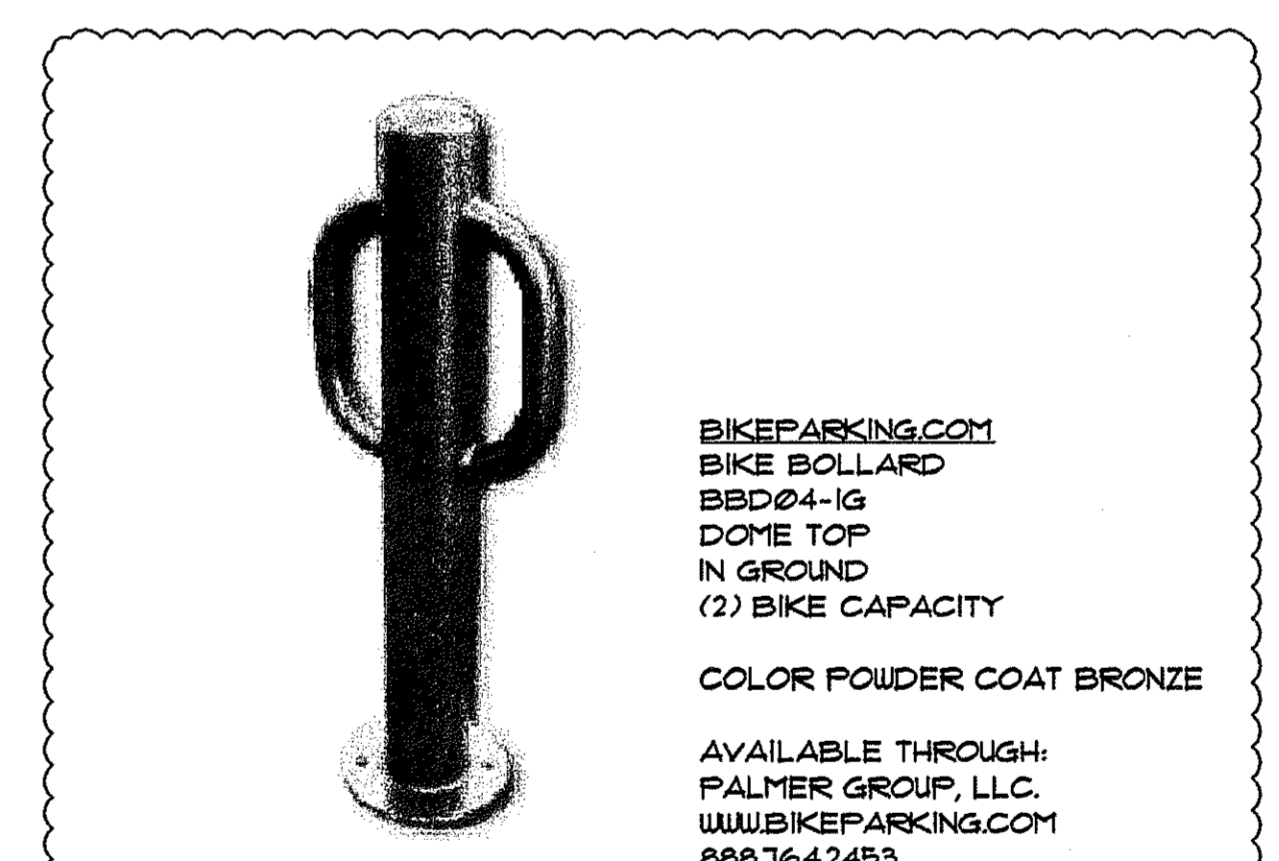


7 METAL EDGING
 SCALE: 1"=1'-0"
 SECTION



8 POT AT GRADE
 SECTION

MATERIALS SCHEDULE						
ITEM #	QTY.	ITEM	MODEL # OR DESCRIPTION	MANUFACTURER	COLOR(S)	COMMENTS
Paving						
P01	4.5 CY	Decorative Pebbles	Mexican Beach Pebbles	Pebble Junction, Inc.: (407) 323-3838	Black	3" Depth
P02	1.25 CY	Decorative Gravel	Granite Chips	Pebble Junction, Inc.: (407) 323-3838	Gray	3" Depth, Pebbles to be Contained with Metal Edging
P03	84 SF	Pebble Tile	Perfect Pebble, 12"x12", i3pc2	ISLAND STONE: www.islandstone.com Contact Lionel Eby McGehee, Tile Market (407) 894-2030	Medan Charcoal	12" Wide Bands
Lighting						
L01	16	Landscape Uplight	Lite Star, Model # LS-8-BZF-7-9-1 50W, 40 Deg., Flood Uplight	BK LIGHTING: Contact Dan Shulman, SESCO Lighting (407) 629-6100	Bronze	See Plans for Locations.
Miscellaneous						
M01	3	Square Fiberglass Planter Pot	Planter 041-Orbit, 32"x32" Dia. (Outside Dimensions), 27" Ht. (Outside Dimensions)	IAP CONTEMPORARY PLANTERS: 1-800-426-6471 www.iapfsf.com	Bronze	See Plans for Locations.
M02	4	Round Fiberglass Planter Pot	Planter 037-Waimea, 42" Dia. (Outside Dimensions), 32" Ht. (Outside Dimensions)	IAP CONTEMPORARY PLANTERS: 1-800-426-6471 www.iapfsf.com	Bronze	See Plans for Locations.
M03	1	Bike Bollard	Model # BBD04-16, (2) Bike Capacity	BIKEPARKING.COM Available Through: Palmer Group, LLC. 888.764.2453 www.bikeparking.com	Powder Coat Bronze	See Plan for Location.



BIKEPARKING.COM
 BIKE BOLLARD
 BBD04-16
 DOME TOP
 IN GROUND
 (2) BIKE CAPACITY
 COLOR POWDER COAT BRONZE
 AVAILABLE THROUGH:
 PALMER GROUP, LLC.
 WWW.BIKEPARKING.COM
 888.764.2453

9 BIKE BOLLARD
 SECTION

PROPERTY APPRAISER ID NUMBER 31-21-31-300-024A-0000
 SEMINOLE COUNTY
 APPROVED FOR CONSTRUCTION
 THIS APPROVAL IS SUBJECT TO SPECIFIC CONFORMANCE TO THE SEMINOLE COUNTY LAND DEVELOPMENT CODE AND ANY SPECIAL REQUIREMENTS OF THE BOARD OF COUNTY COMMISSIONERS. IT SHALL BE THE RESPONSIBILITY OF THE DEVELOPER TO CORRECT ANY DEFECTS IN THE PLANS OR THE FACILITY AS CONSTRUCTED WHICH RESULTS IN A FAILURE TO MEET APPLICABLE CODE REQUIREMENTS. ADMINISTRATIVE ACCEPTANCE OF THE DEVELOPER'S PLANS DOES NOT CONSTITUTE A WAIVER OF ANY CODE REQUIREMENTS NOR DOES IT RELIEVE THE DEVELOPER OF RESPONSIBILITY TO MEET THOSE REQUIREMENTS. THIS SPECIFIC APPROVAL IS VALID FOR A PERIOD OF ONE YEAR FROM THE DATE BELOW.
 APPROVED:
 SEMINOLE COUNTY DEVELOPMENT REVIEW DEPARTMENT
 DATE