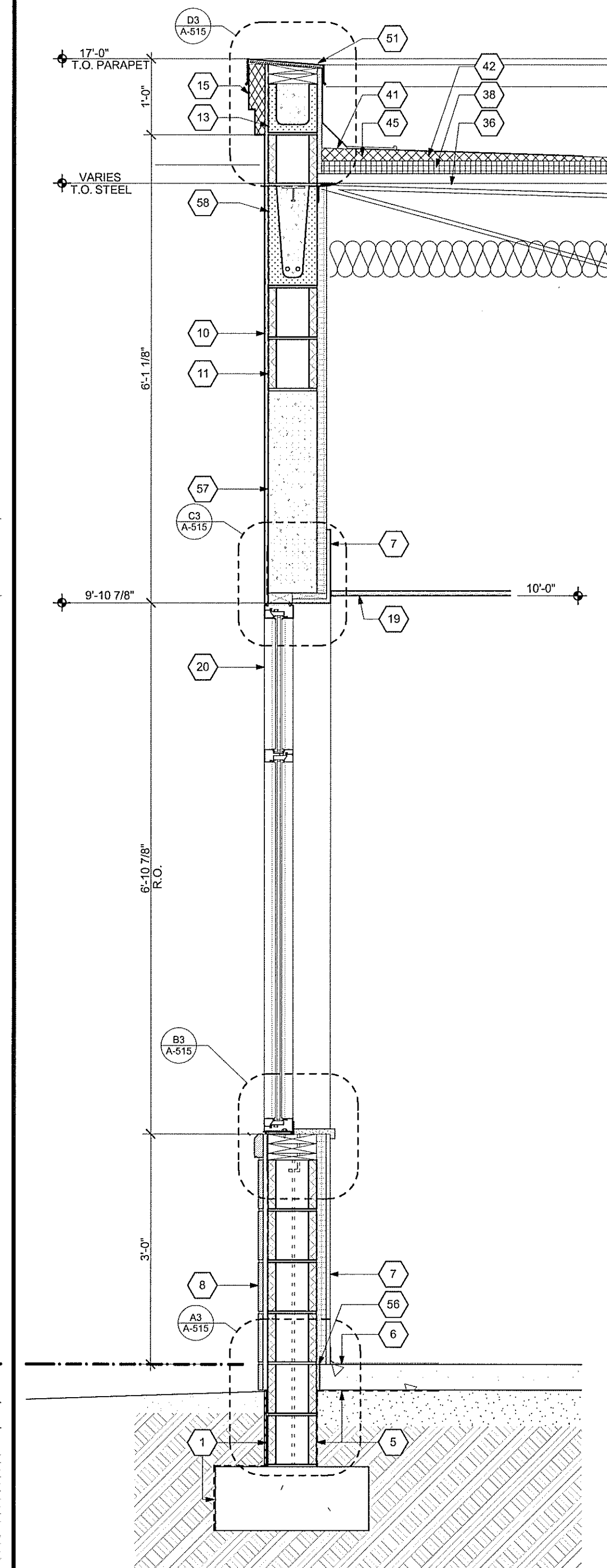
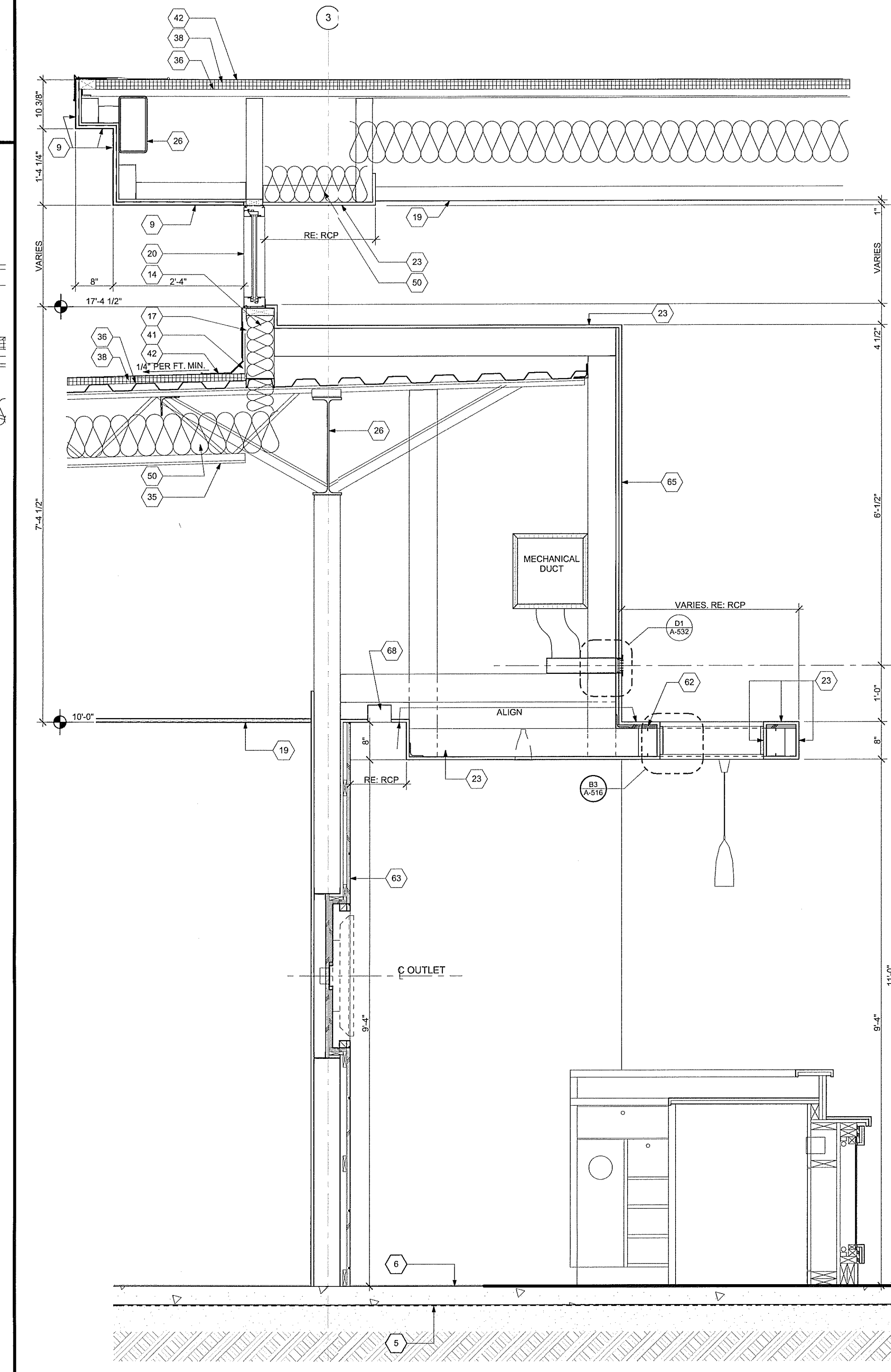


A1 Section Thru Entry Column
SCALE: 3/4" = 1'-0"



A2 Window Section at North Wall
SCALE: 3/4" = 1'-0"



A3 West High Wall Section
SCALE: 3/4" = 1'-0"

1. BELOW GRADE SHEATHING WITH PROTECTION BOARD
2. 4" MINIMUM REINFORCED TOPPING SLAB SLOPED 1:50 MAX SIDEWALK WITH EXPANSION AND CONTROL JOINTS.
3. RECESSED, SLOPED CONCRETE SLAB. RE: STRUCTURE
4. WHERE FOUNDATION IS EXPOSED, RUB CONCRETE SMOOTH, GROUT FILL AND SKIM COAT FOR UNIFORM FINISH
5. VAPOR RETARDER OVER SAND AND COMPACT FILL. RE: STRUCTURAL
6. STRUCTURAL SLAB AND FOUNDATION. RE: STRUCTURAL
7. 5/8" GYPSUM BOARD OVER 1 1/2" METAL HAT CHANNELS AT 24" O.C. WITH 1 1/2" RIGID INSULATION
8. ARRIS-TILE RENAISSANCE UNIT (RS-1) OVER 3/4" MORTAR BED. RE: EXTERIOR MATERIALS SCHEDULE
9. 3/4" STUCCO WITH ACRYLIC FINISH AND RIBBED LATH OVER MEMBRANE DAMPROOFING ON 1/2" DENS GLASS GOLD SHEATHING
10. 5/8" STUCCO WITH ACRYLIC FINISH OVER WATERPROOFING MEMBRANE ON CMU
11. CMU WALL WITH WATERPROOFING MEMBRANE
12. 4" X 8" X 16" CMU @ NICHE
13. BOND BEAM. RE: STRUCTURAL
14. 6" NOMINAL R-19 UNFACED BATT INSULATION
15. CUSTOM EIFS FOAM SHAPE WITH ACRYLIC FINISH OVER 5/8" PLASTER
16. OPAQUE SPANDREL GLASS WITH 6" NOMINAL R-19 BATT INSULATION BEHIND. VERIFY LOCATIONS WITH EXTERIOR ELEVATIONS ON A-201 AND A-202
17. LIGHT GAUGE METAL FRAMING. RE: STRUCTURAL FOR GAUGE, SIZE AND SPACING.
18. SEALANT WITH BACKER ROD.
19. SCHEDULED LAY IN CEILING
20. ALUMINUM STOREFRONT WINDOW SYSTEM
21. MOTORIZED MECO SHADE IN METAL POCKET. RE: INTERIOR MATERIAL SCHEDULE.
22. HORIZONTAL BRCK CONTROL JOINT WITH SEALANT AND BACKER ROD. RE: STRUCTURAL FOR RELIEF ANGLE DETAIL.
23. 5/8" GYPSUM BOARD. SCHEDULED FINISH BELOW CEILING LEVEL ONLY.
24. ALUMINUM DOOR AND WINDOW FRAMING SYSTEM
25. STEEL ANGLE FRAMING. RE: STRUCTURE
26. STEEL FRAMING. RE: STRUCTURE
27. 3 5/8" STUD FRAMING AT SPANDREL GLASS
28. FILL VOIDS WITH INSULATION, COVER WITH SHEATHING AND SEAL AROUND EQUIPMENT TUBES WITH SEALANT AFTER INSTALLATION BY E.S.
29. 3/4" PLYWOOD PANEL TO SUPPORT 100# EQUIPMENT BRACKET. VERIFY FINAL LOCATION WITH B.E.S.
30. GYPSUM BOARD FURR DOWN ON METAL STUDS WITH LAY IN CEILING. CUT NEATLY AROUND EQUIPMENT.
31. STEEL PIPE RAIL CURB. RE: C2/A102
32. NOTCH TOP OF WALL AT DEAL DRAWER OPENING. RE: C3/A-534
33. MOTOR BANK COUNTER AND COVER PANELS. RE: B2/A-831
34. B.R. GLASS IN FABRICATED ALUMINUM FRAME. NO EXPOSED FASTENERS ON EXTERIOR. LOCATE GLASS BUTT JOINTS BEHIND PNEUMATIC TUBES.
35. STEEL JOISTS. RE: STRUCTURAL
36. METAL ROOF DECKING. RE: STRUCTURAL
37. PLYWOOD ROOF DECK MECHANICALLY FASTENED TO METAL DECK. RE: STRUCTURAL
38. 1 1/2" RIGID INSULATION BOARD. TAPERED INSULATION WHERE REQUIRED FOR POSITIVE DRAINAGE. RE: ROOF PLAN
39. ACCESS HATCH
40. "SNAP IN" COUNTERFLASHING SYSTEM
41. 4" CANT STRIP
42. SINGLE PLY MEMBRANE ROOF SYSTEM
43. 24 GAUGE METAL STANDING SEAM METAL ROOF OVER MEMBRANE UNDERLAYMENT
44. 24 GAUGE PREFINISHED DRIP EDGE TO MATCH ROOF.
45. BASE FLASHING UP WALL, OVER TOP OF PARAPET, DOWN FACE AND OVER WATERPROOFING
46. BASE FLASHING
47. ROOF DRAIN
48. NOT USED
49. NOT USED
50. PROVIDE R-30 BATT INSULATION W/ROD TO BOTTOM OF JOISTS AND R-19 AT ALL VERTICAL SITUATIONS TO FORM A CONTINUOUS ENVELOPE AROUND THE BUILDING.
51. PREFINISHED METAL CAP OVER FLEXIBLE FLASHING.
52. RECESSED LANE INDICATOR LIGHT. RE: LIGHTING SCHEDULE
53. INTERNALLY LIT THREE DIMENSIONAL SIGNAGE LETTERS (N.I.C.)
54. COMPOSITE ALUMINUM FACED PANEL SYSTEM (CA-1) AT WALLS, FASCIAS, AND SOFFITS. INSTALL OVER MEMBRANE DAMPROOFING ON DENS GLASS GOLD SHEATHING. AT CANOPY ROOF, INSTALL OVER MEMBRANE DAMPROOFING ON 1/2" PLYWOOD.
55. EXPOSED STEEL BEAM OR COLUMN TO BE PAINTED. RE: STRUCTURAL FOR MEMBER, RE: EXTERIOR MATERIAL SCHEDULE FOR FINISH
56. 1/2" EXPANSION JOINT
57. CAST IN PLACE CONCRETE BEAM. RE: STRUC.
58. DOUBLE BOND BEAM. RE: STRUC.
59. PREFINISHED METAL GUTTER. COLOR TO MATCH METAL ROOF SYSTEM.
60. EXPOSED PREFINISHED METAL GUTTER. COLOR TO MATCH METAL ROOF SYSTEM. TUCK INTO WIDE FLANGE COLUMN AND FASTEN TO COLUMN WEB. CONNECT TO STORM SEWER. RE: CIVIL STORM PLAN.
61. 1/2" PLYWOOD DECK. PAINT TO MATCH SURROUNDING GYP. BD.
62. 3/4" PLYWOOD DECK.
63. WOOD PANELING ON 1X BLOCKING ON SCHEDULED PARTITION.
64. PRE-ENGINEERED ALUMINUM CANOPY SYSTEM
65. DOUBLE LAYER GYP. BD. AT WALLS WITH FALSE LINEAR GRILLES
66. 1/8" PLATE ALUMINUM ON ALUMINUM ANGLE FRAME. SEPARATE DISSIMILAR MATERIALS.
67. ELECTRIC INTERNALLY LIT CLOCK.
68. LIGHT FIXTURE.
69. 3/4" CDX PLYWOOD
70. PROVIDE 1/2" EXTERIOR PLYWOOD IN LIEU OF DENS GLASS SHEATHING AT ALL SIGNAGE LOCATION.
71. WOOD SILL EXTENSION WITH PLASTIC LAMINATE FINISH AT SPANDREL GLASS
72. WINDOW FRAME SILL RECEIVER SET IN FULL BED OF SEALANT
73. ALUMINUM CURTAIN WALL SYSTEM
74. POWER OUTLET FOR CLOCK
75. METAL JOISTS. RE: STRUCTURAL

A5 Key Notes
SCALE: 1/8" = 1'-0"



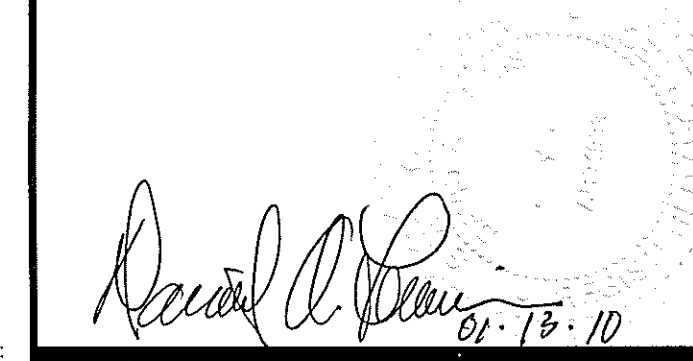
ARCHITECTURE
PLANNING
INTERIOR DESIGN

2425 WEST LOOP SOUTH
SUITE 665
HOUSTON TEXAS 77027
FAX 713-552-9810
713-552-0707
WWW.MGARCHITECTS.COM

CONSULTANTS

STRUCTURAL ENGINEER:
SCA Consulting Engineers

M/E/P/J ENGINEER:
Henderson Engineers



Aloma Walk Branch
Aloma Ave.
Oviedo, FL 32765

ISSUE:

MARK	DATE	DESCRIPTION
	08-19-09	D.D. REVIEW
	09-15-09	DEVELOPER REVIEW
	10-12-09	PRICING
	12-02-09	BUILDING PERMIT
1	01/13/10	RESPONSE TO BUILDING PERMIT COMMENTS

PROJECT NO:
09-529.a

WALL SECTIONS

A-514.3