



ARCHITECTURE
PLANNING
INTERIOR DESIGN

2425 WEST LOOP SOUTH
SUITE 665
HOUSTON TEXAS 77027
FAX 713-552-9810
713-552-0707

WWW.MGARCHITECTS.COM

CONSULTANTS

STRUCTURAL ENGINEER:
SCA Consulting Engineers

M/E/P ENGINEER:
Henderson Engineers

David A. Quinn 12-02-09



Aloma Walk Branch
Aloma Ave.
Oviedo, FL 32765

ISSUE:

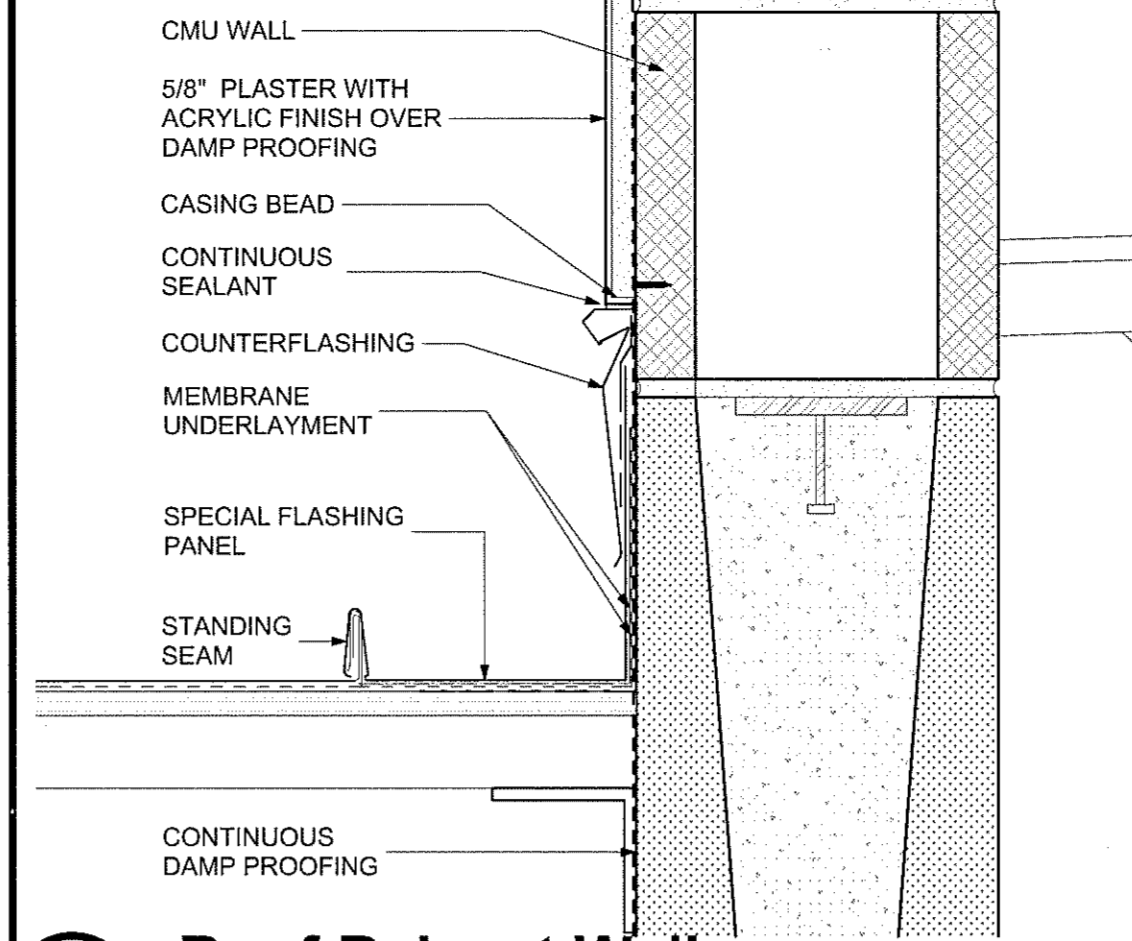
MARK	DATE	DESCRIPTION
	08-19-09	D.D. REVIEW
	09-15-09	DEVELOPER REVIEW
	10-12-09	PRICING
	12-02-09	BUILDING PERMIT

PROJECT NO:

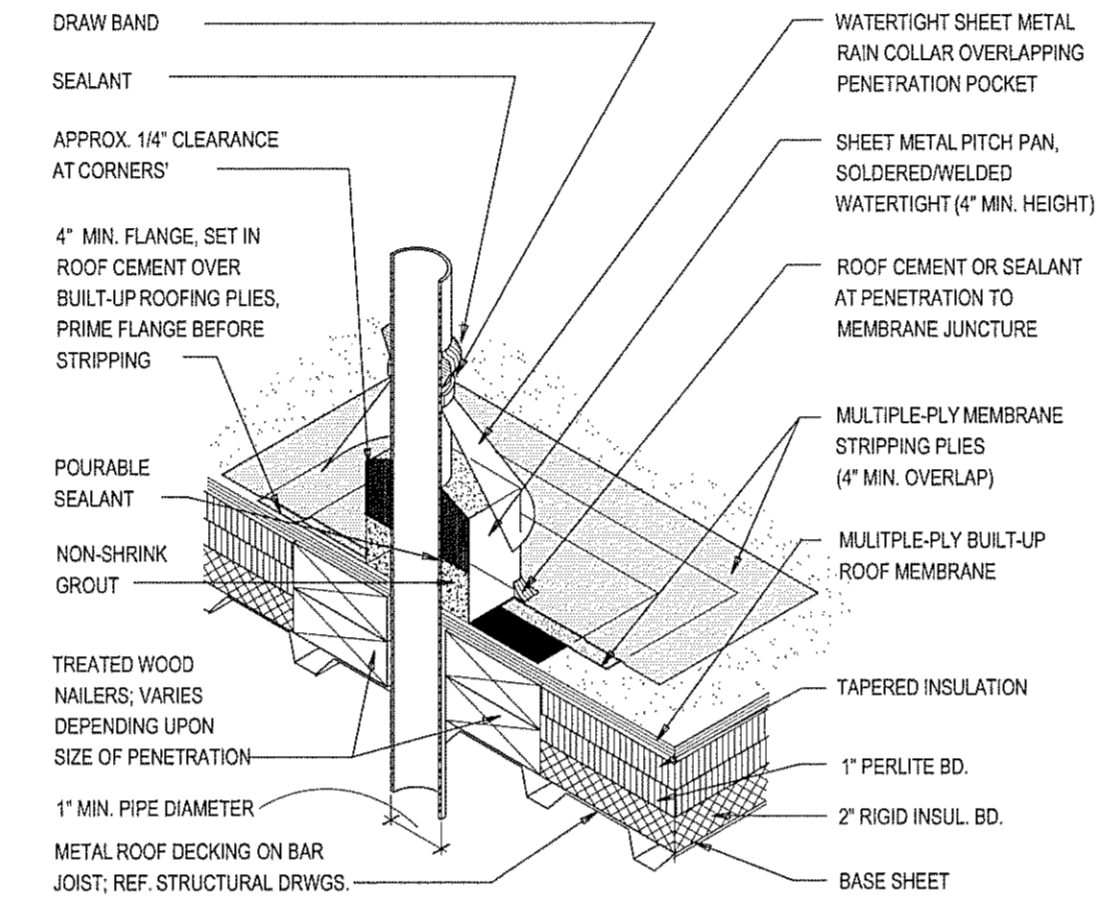
09-529.a

ROOF DETAILS

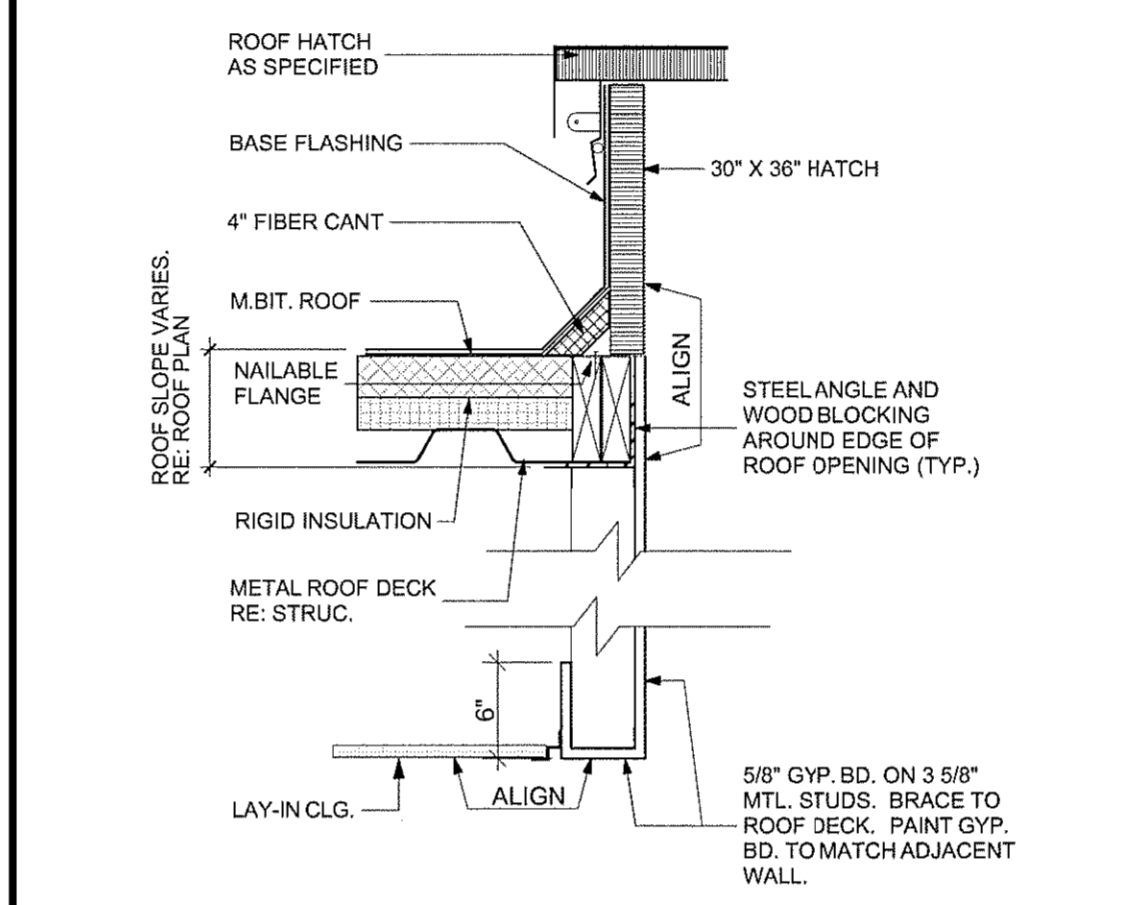
A-518



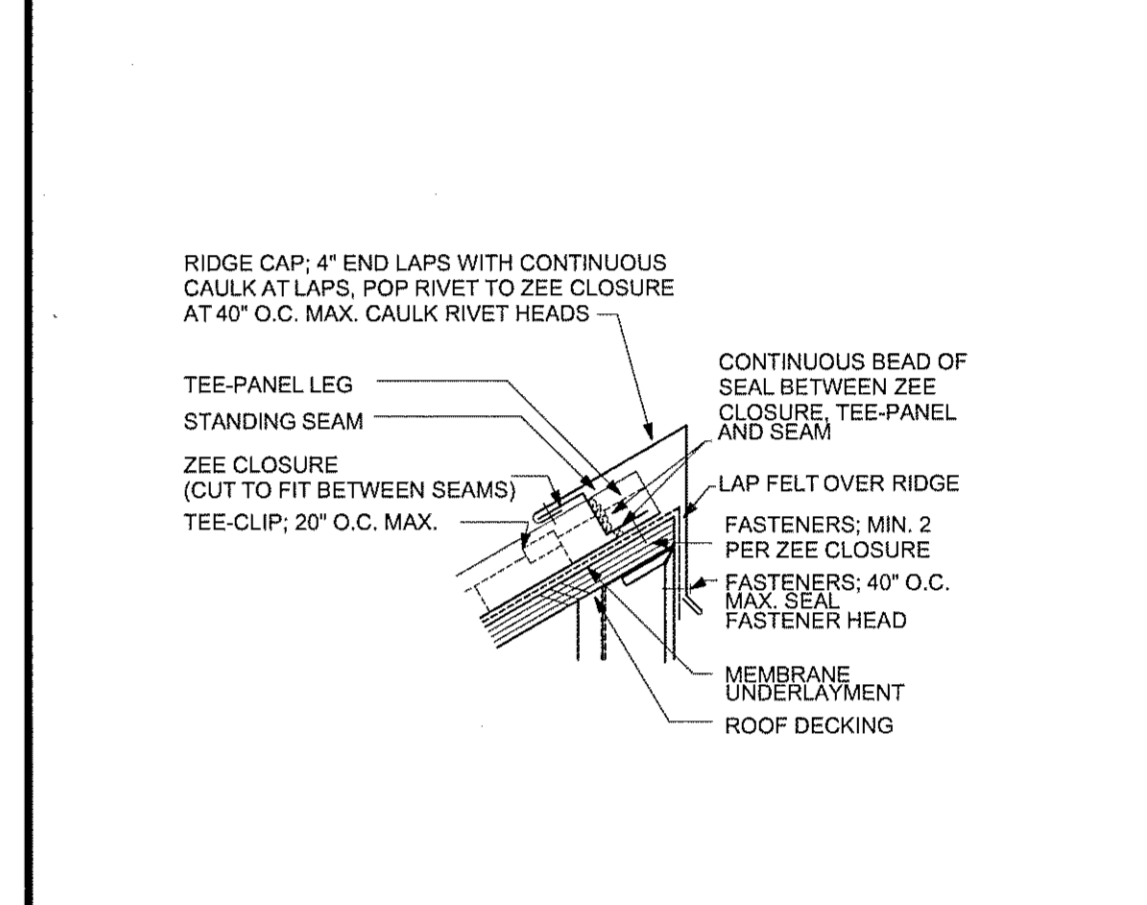
D4 Roof Rake at Wall
SCALE: 3" = 1'-0"



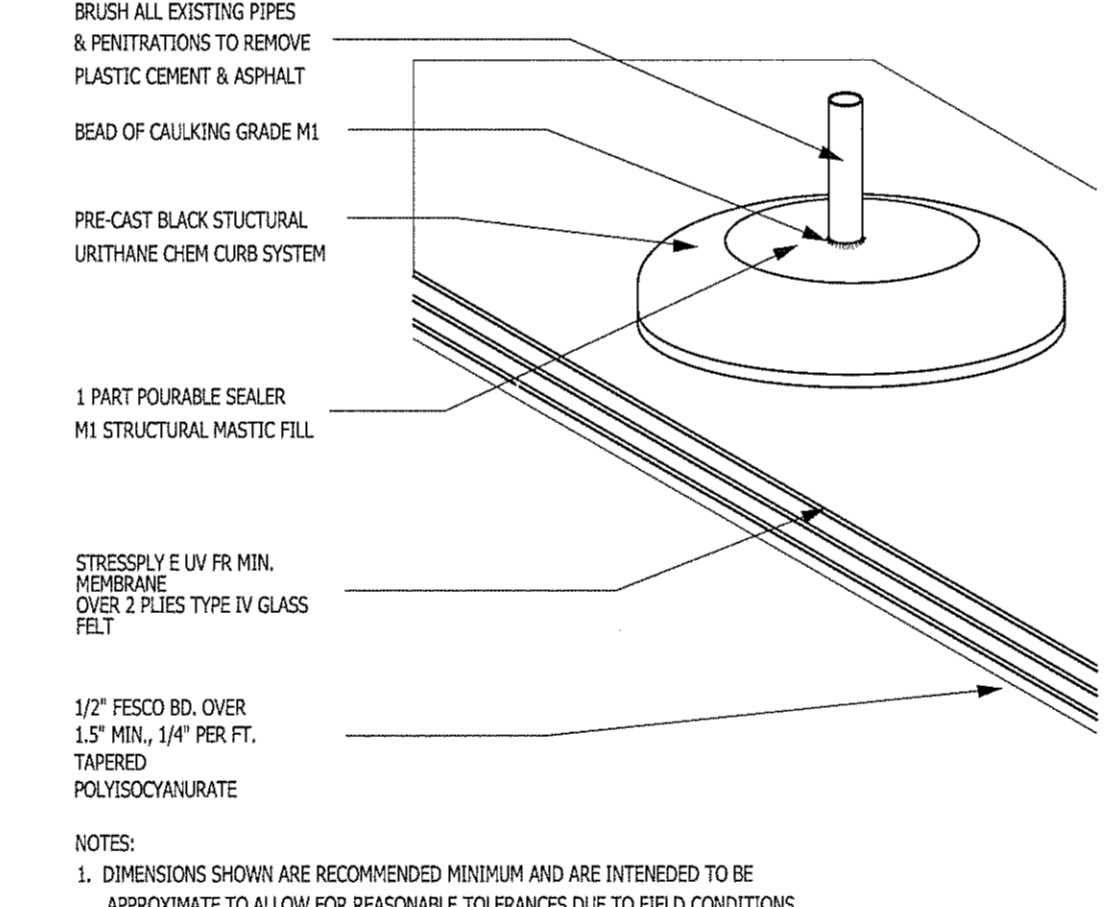
C3 Pipe Boot Detail
NOT TO SCALE



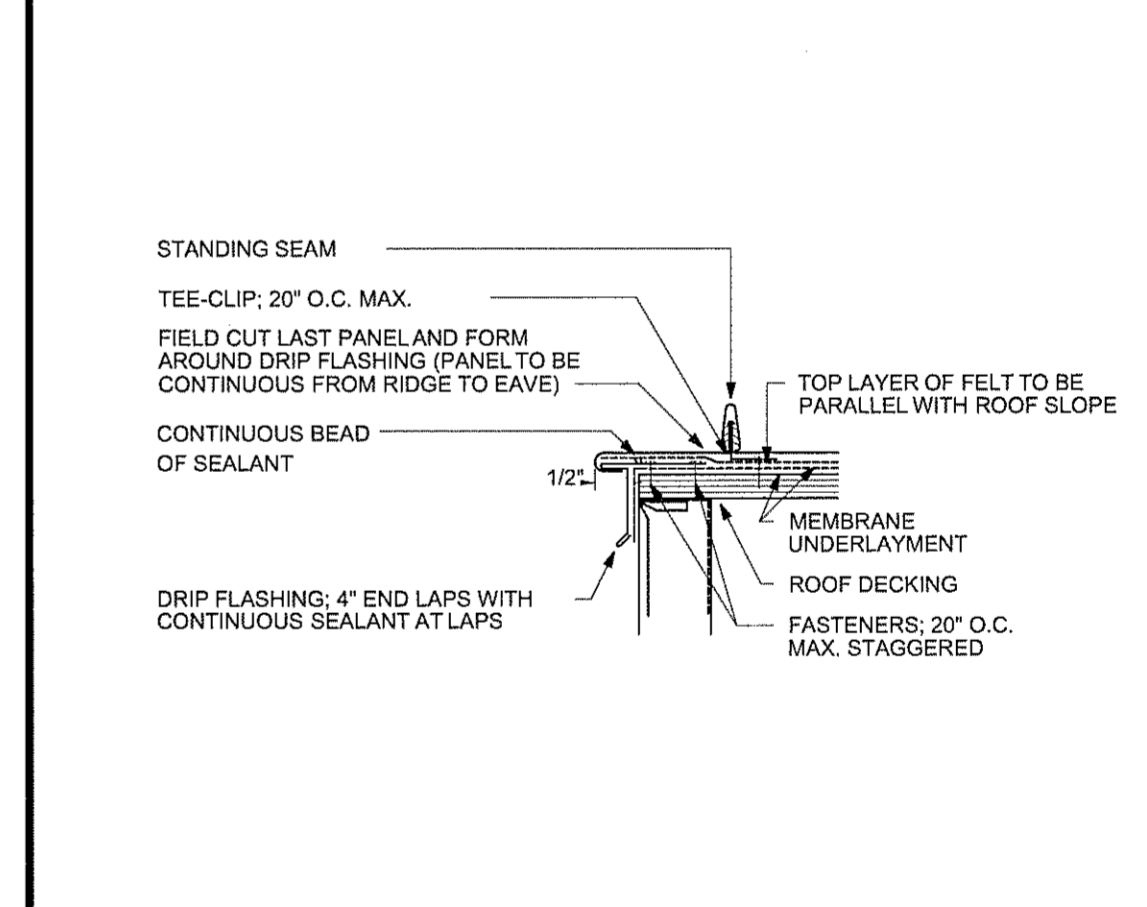
C4 Roof Hatch Detail
SCALE: 1" = 1'-0"



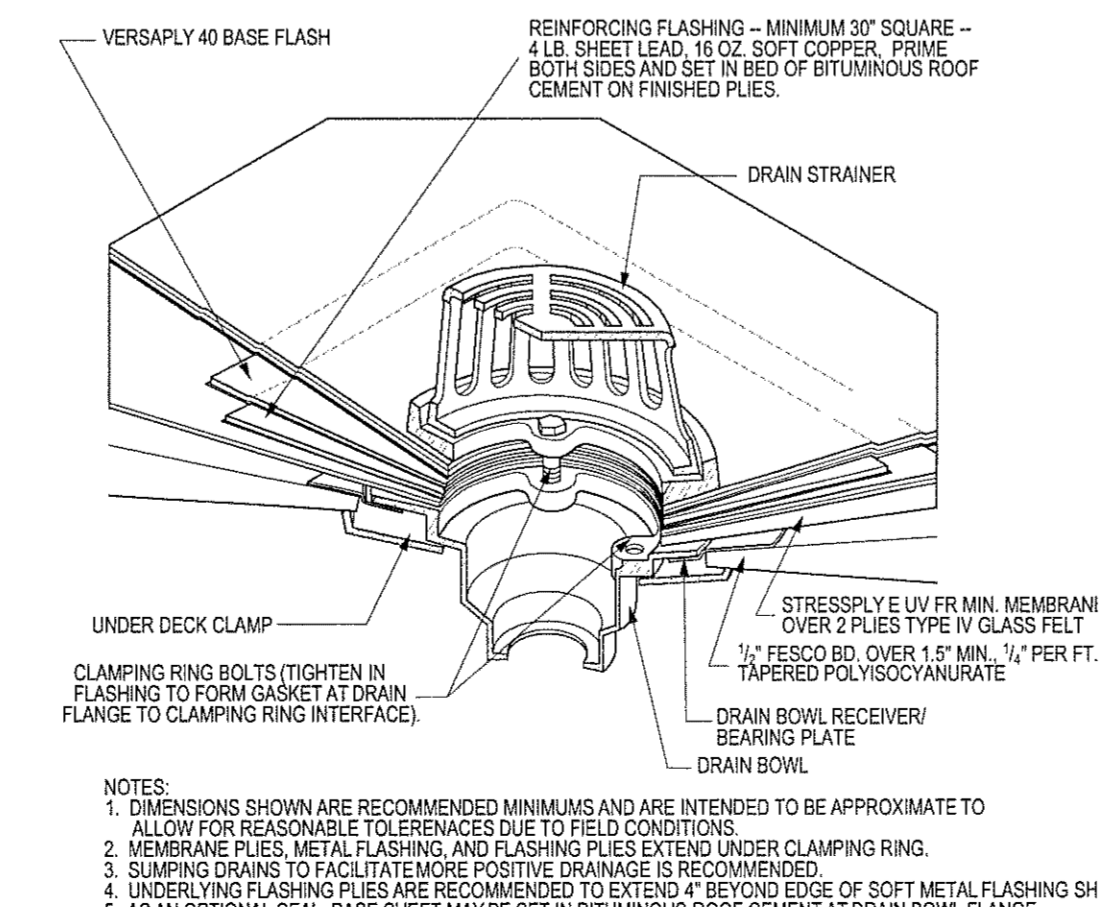
C5 Shed Roof Cap
SCALE: 3" = 1'-0"



B3 Roof Penetration Detail
NOT TO SCALE



B5 Roof Rake Edge
SCALE: 3" = 1'-0"



A3 Roof Drain Detail
NOT TO SCALE