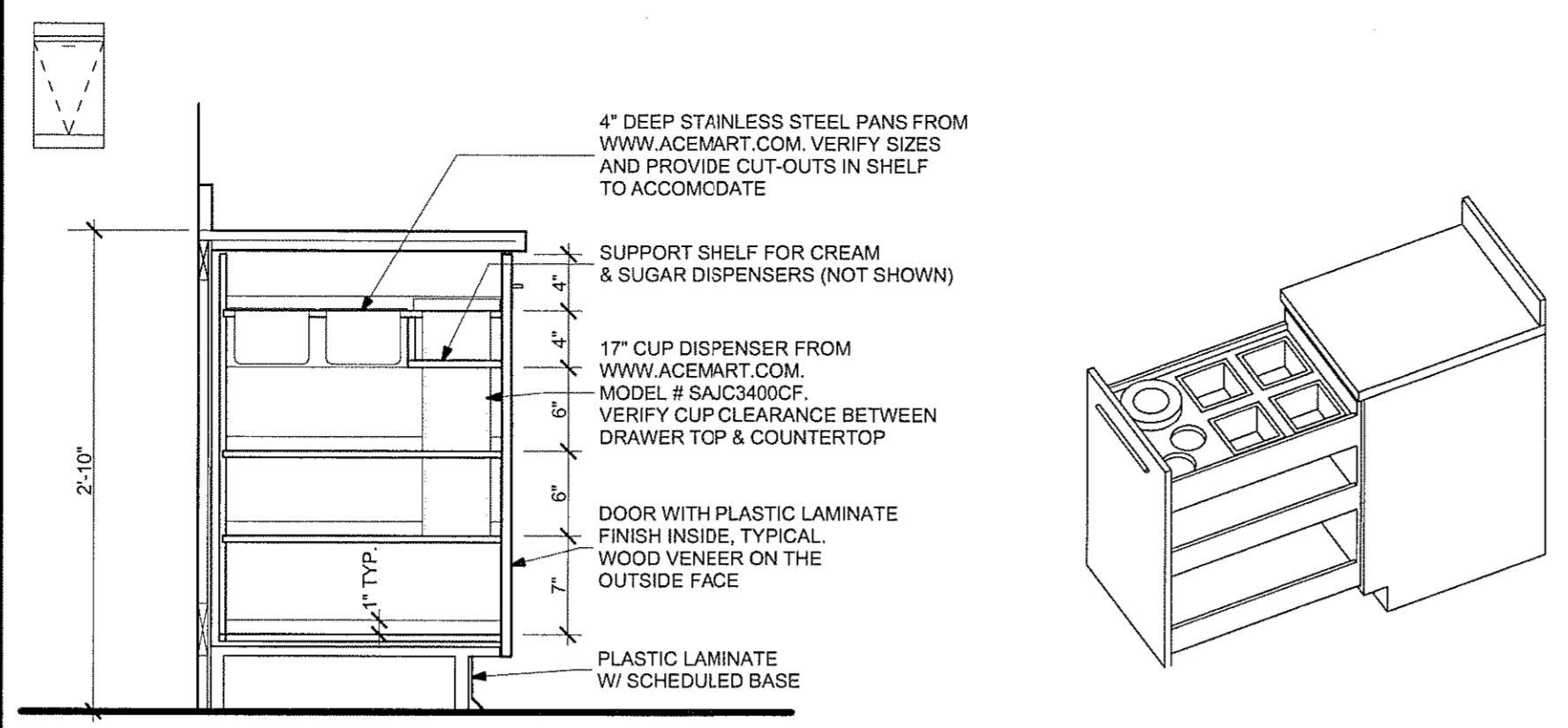
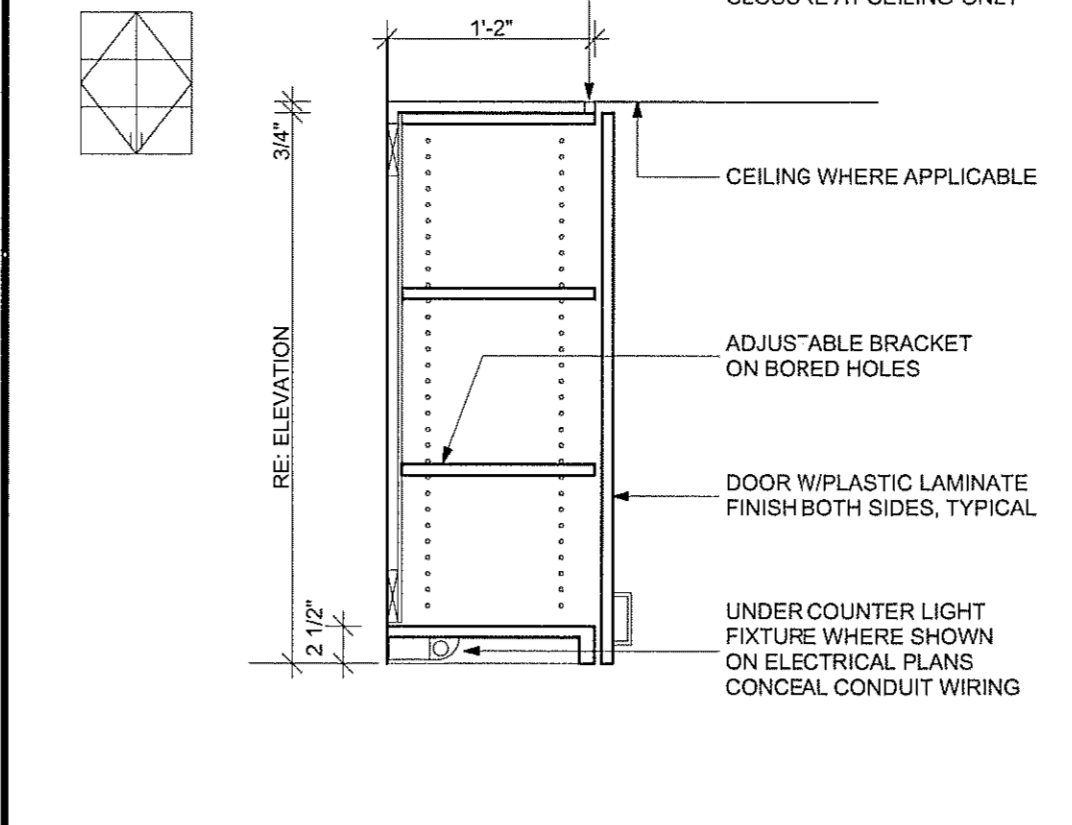


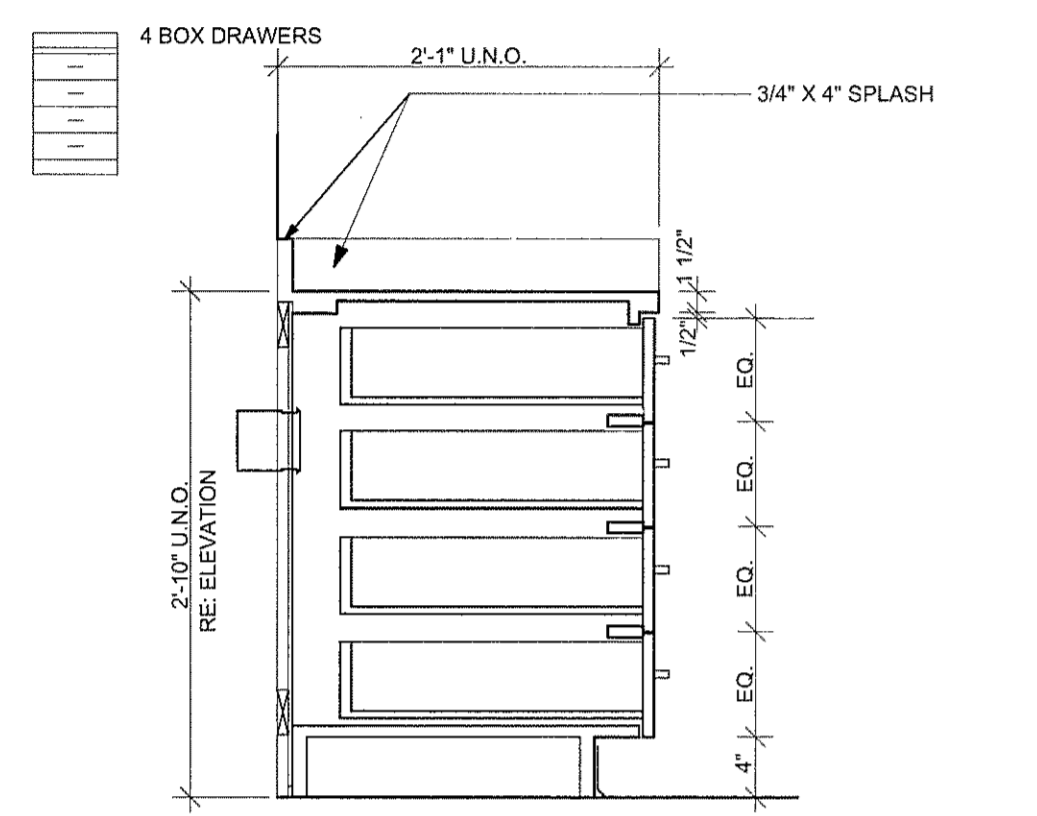
D1 File Drawer Cabinet (1)
SCALE: 1" = 1'-0"



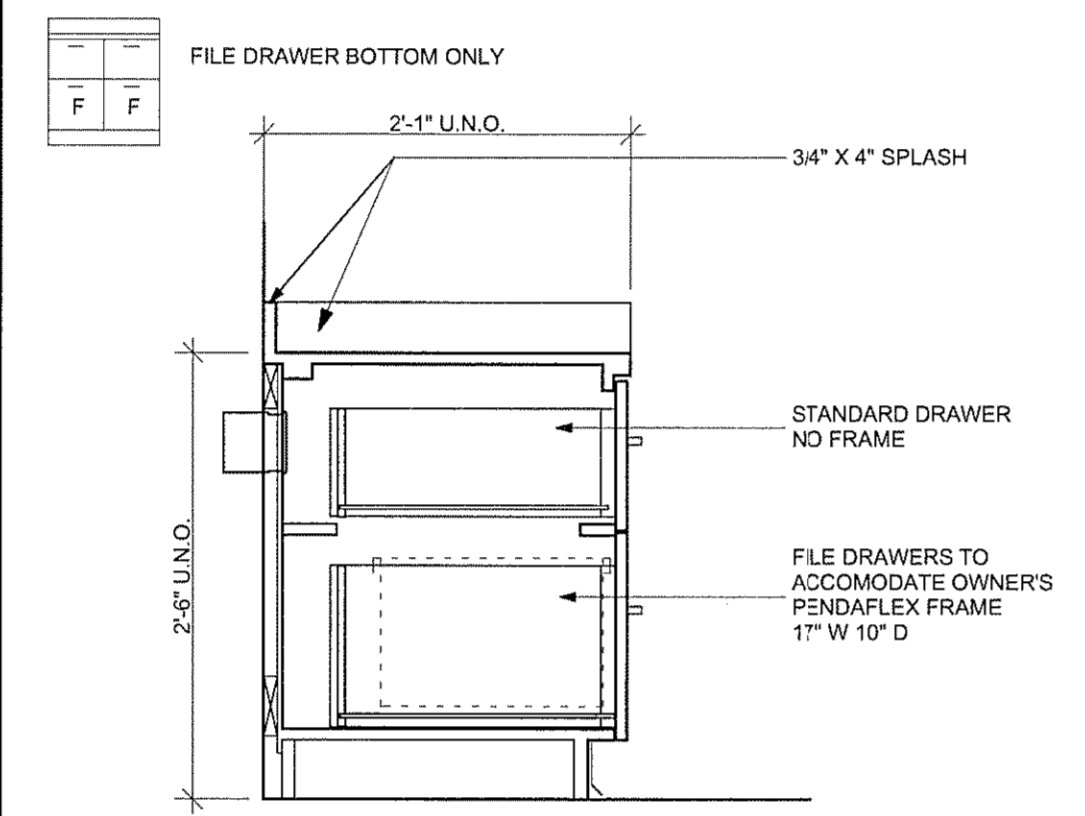
D2 Coffee Supply Drawer
SCALE: 1" = 1'-0"



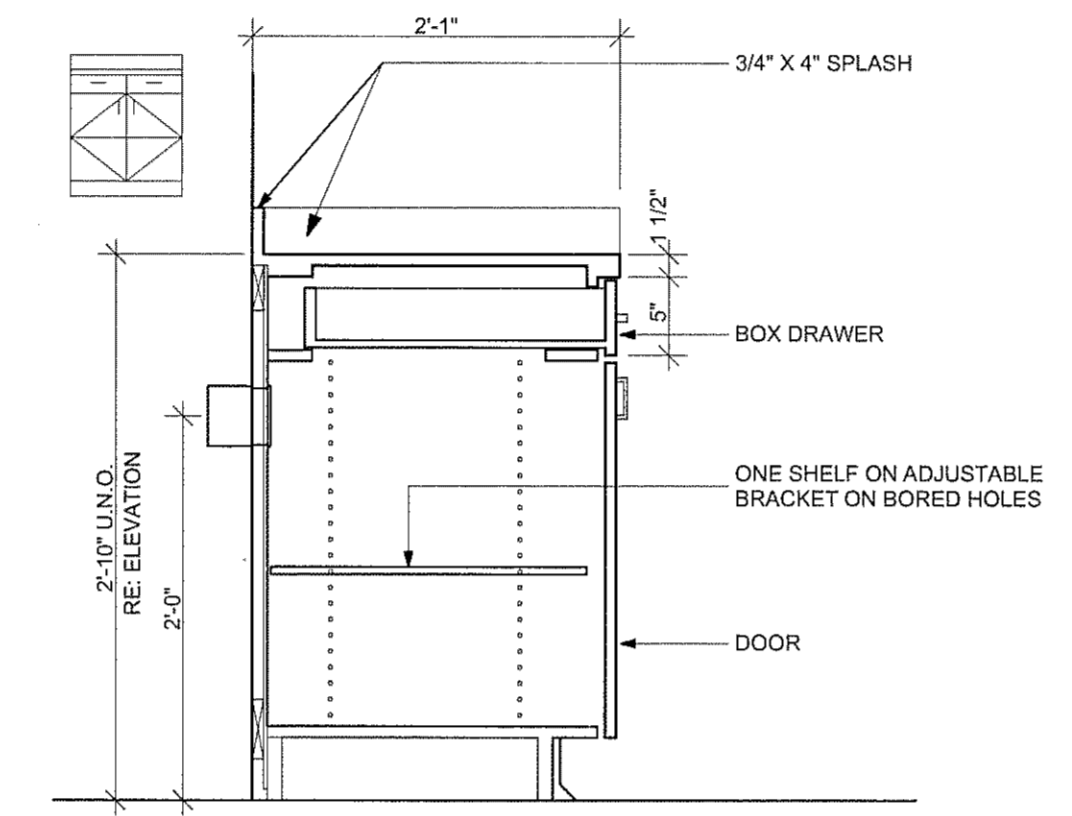
D4 Upper Cabinets w/Doors
SCALE: 1" = 1'-0"



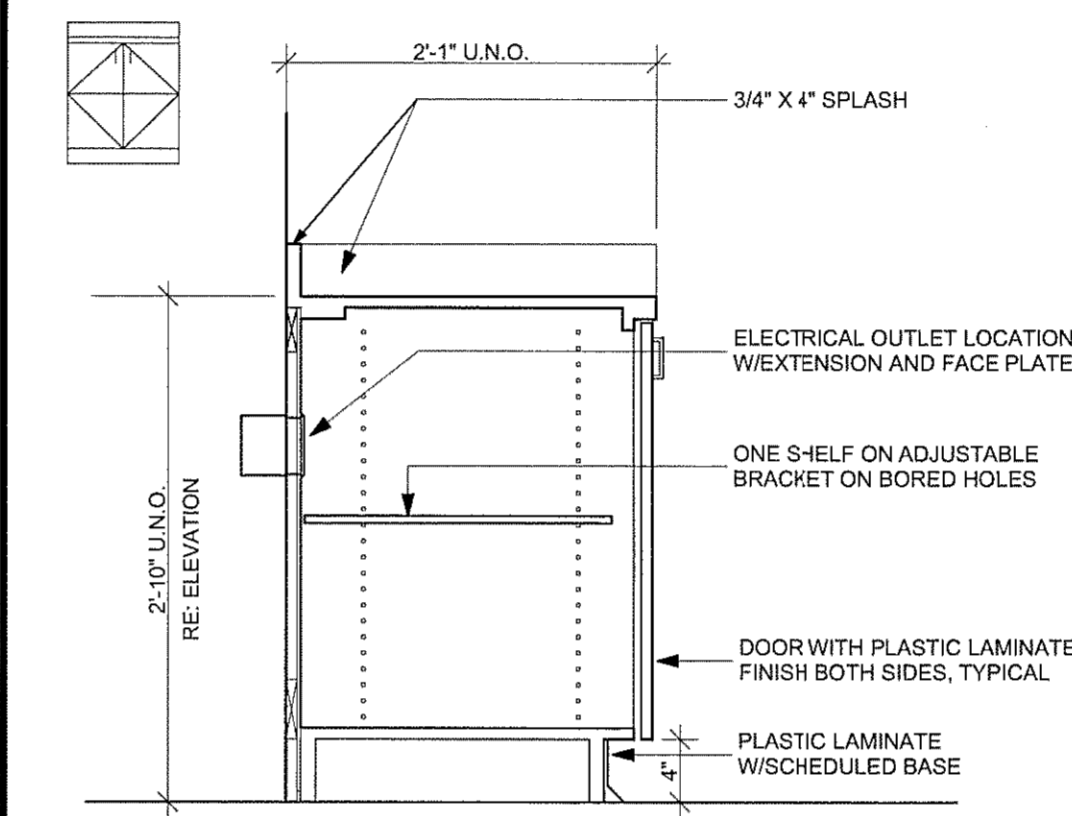
C1 Box Drawer Cabinet
SCALE: 1" = 1'-0"



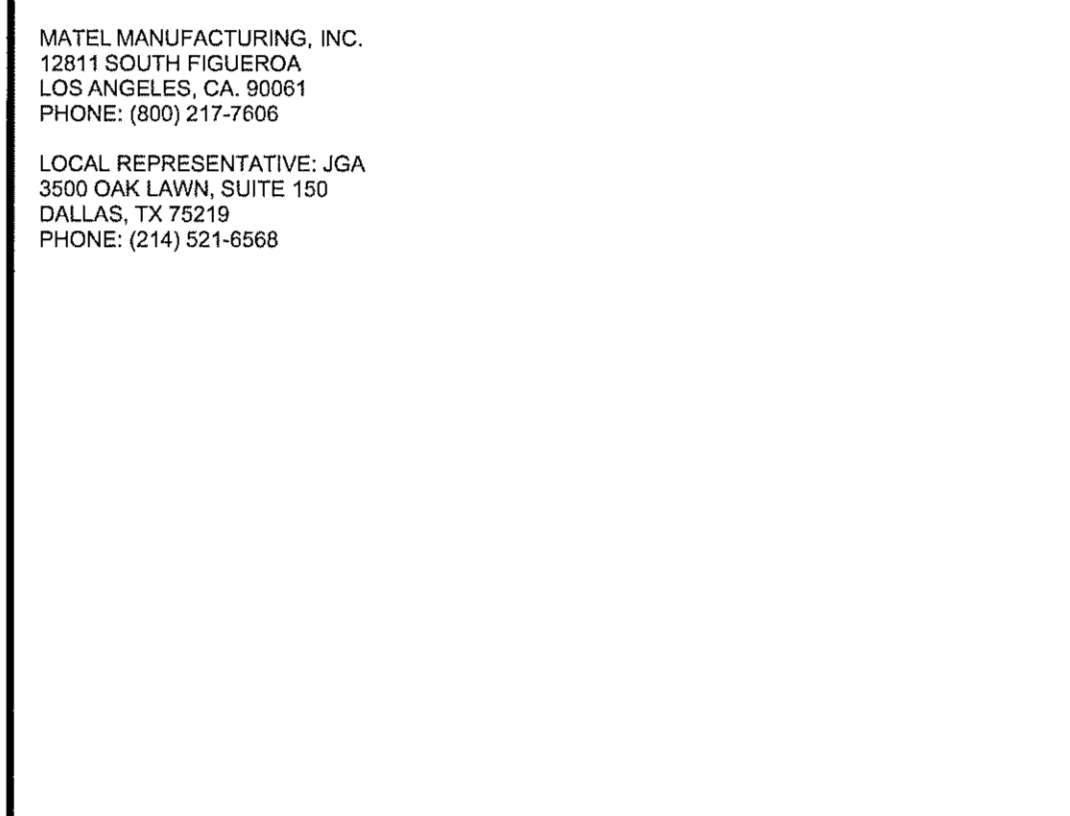
C2 File Drawer Cabinet
SCALE: 1" = 1'-0"



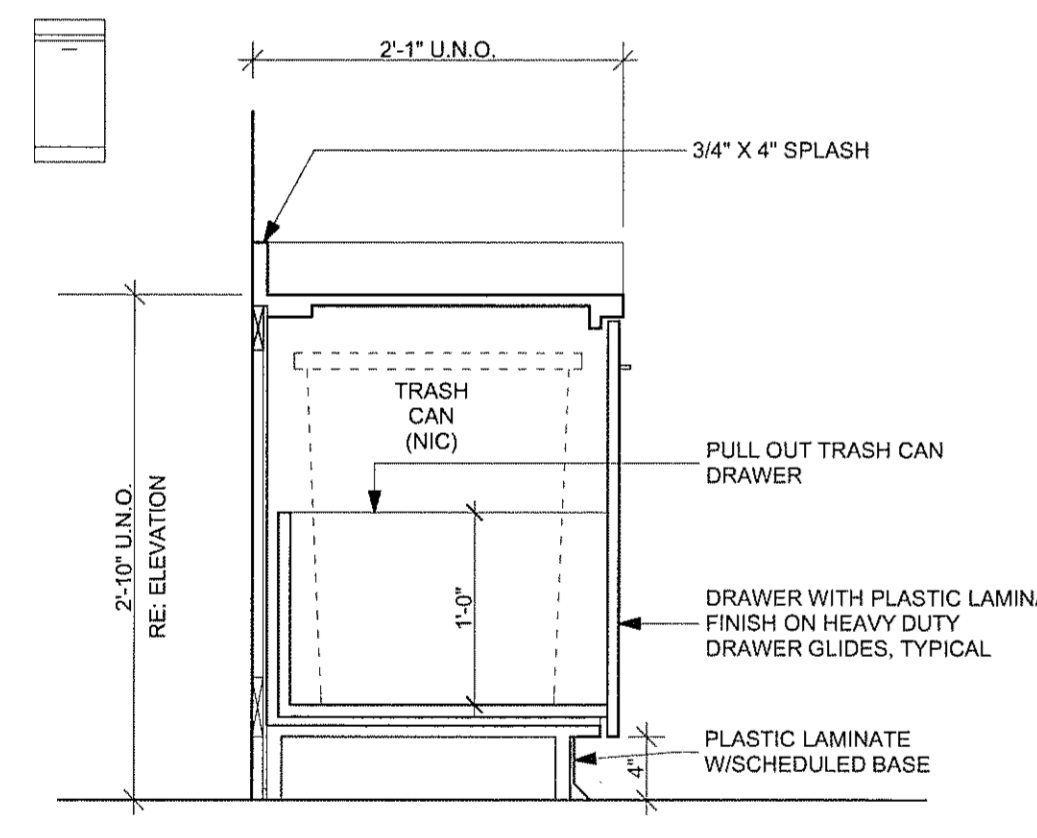
C3 Base Cabinet
SCALE: 1" = 1'-0"



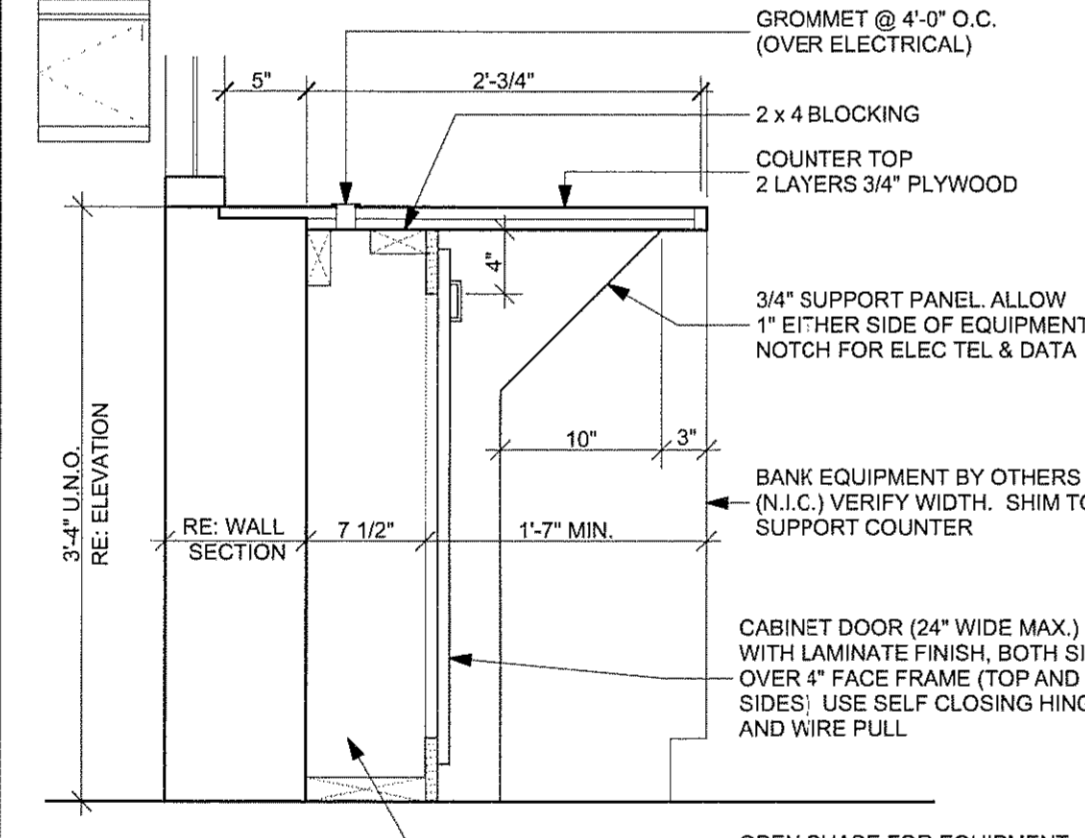
C4 Base Cabinet Typ
SCALE: 1" = 1'-0"



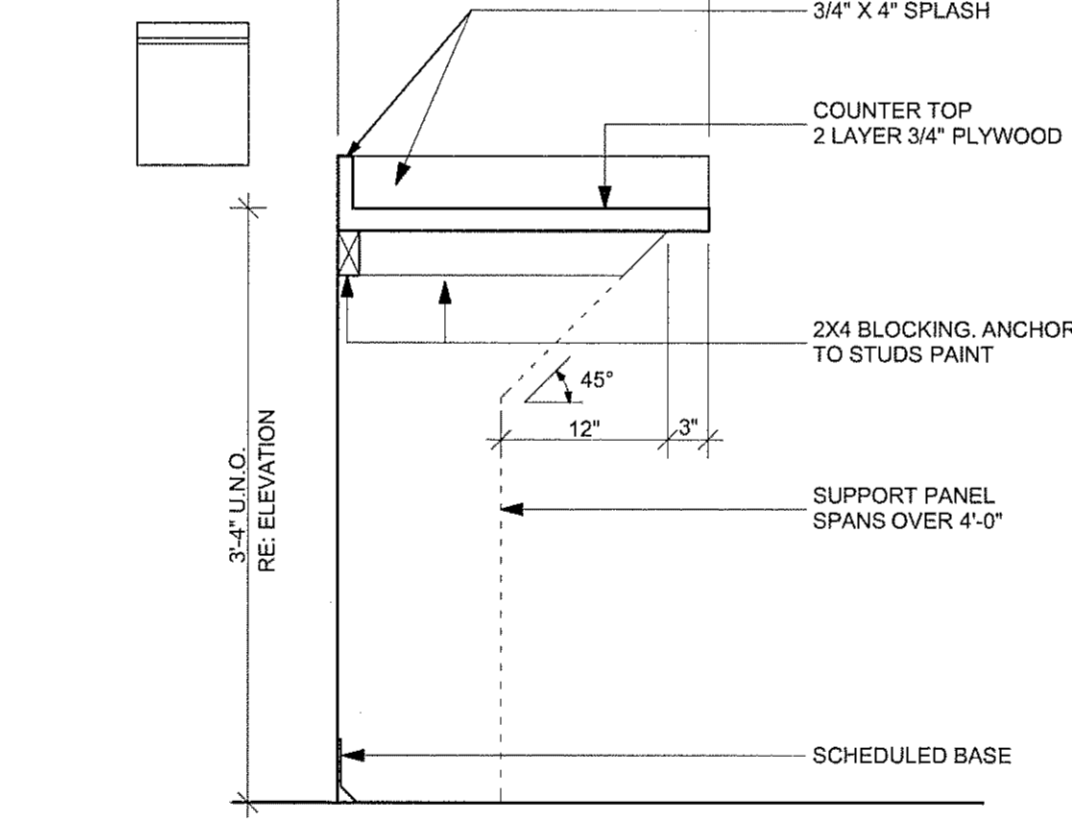
C5 Cabinetry Hardware



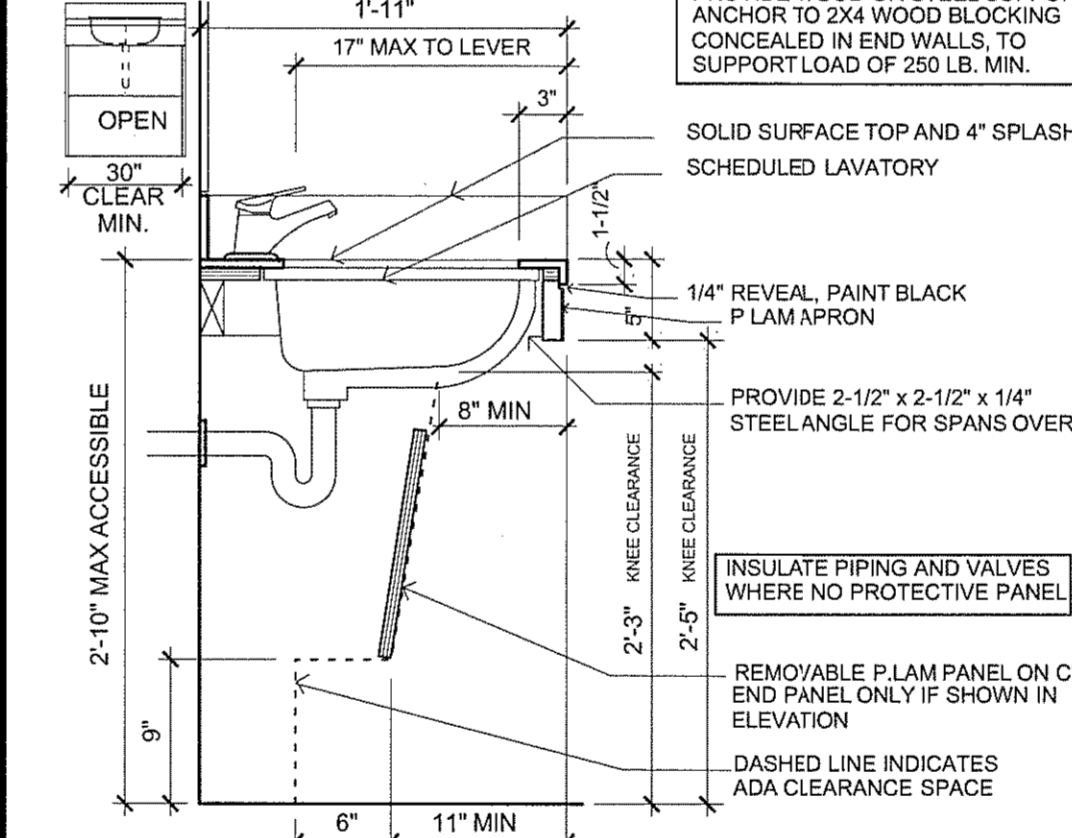
B1 Trash Can Cabinet
SCALE: 1" = 1'-0"



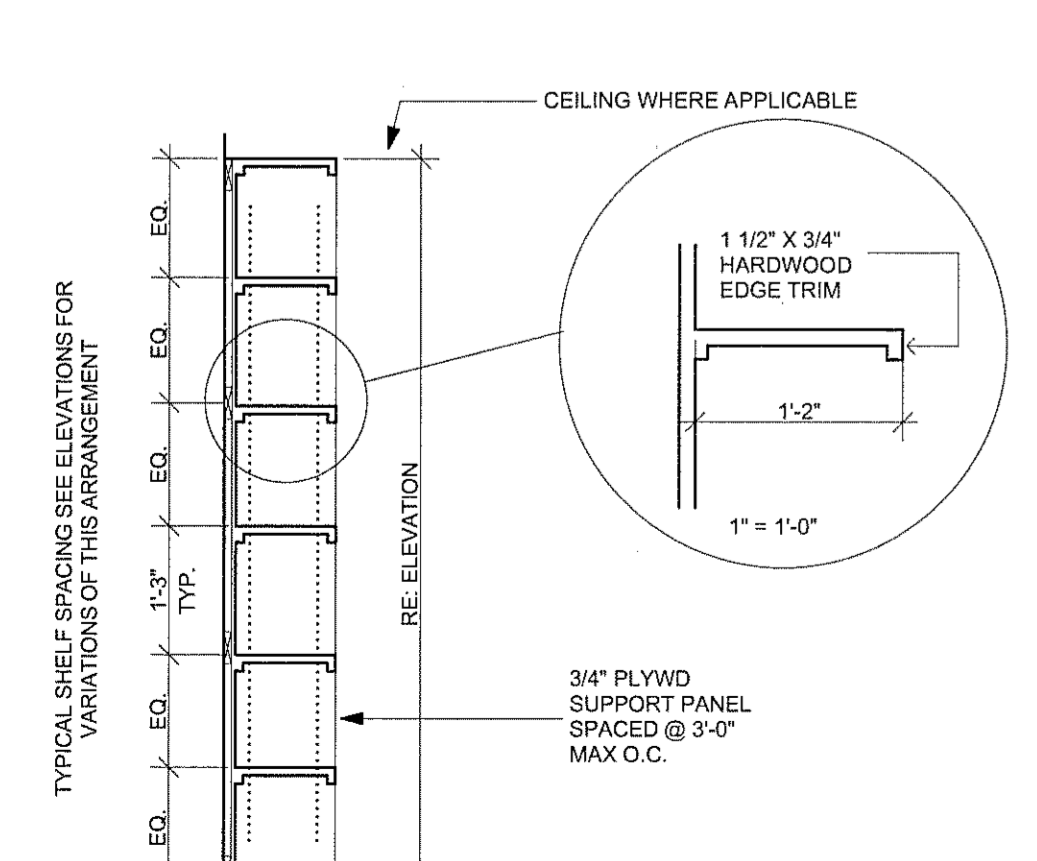
B2 MB Teller Counter
SCALE: 1" = 1'-0"



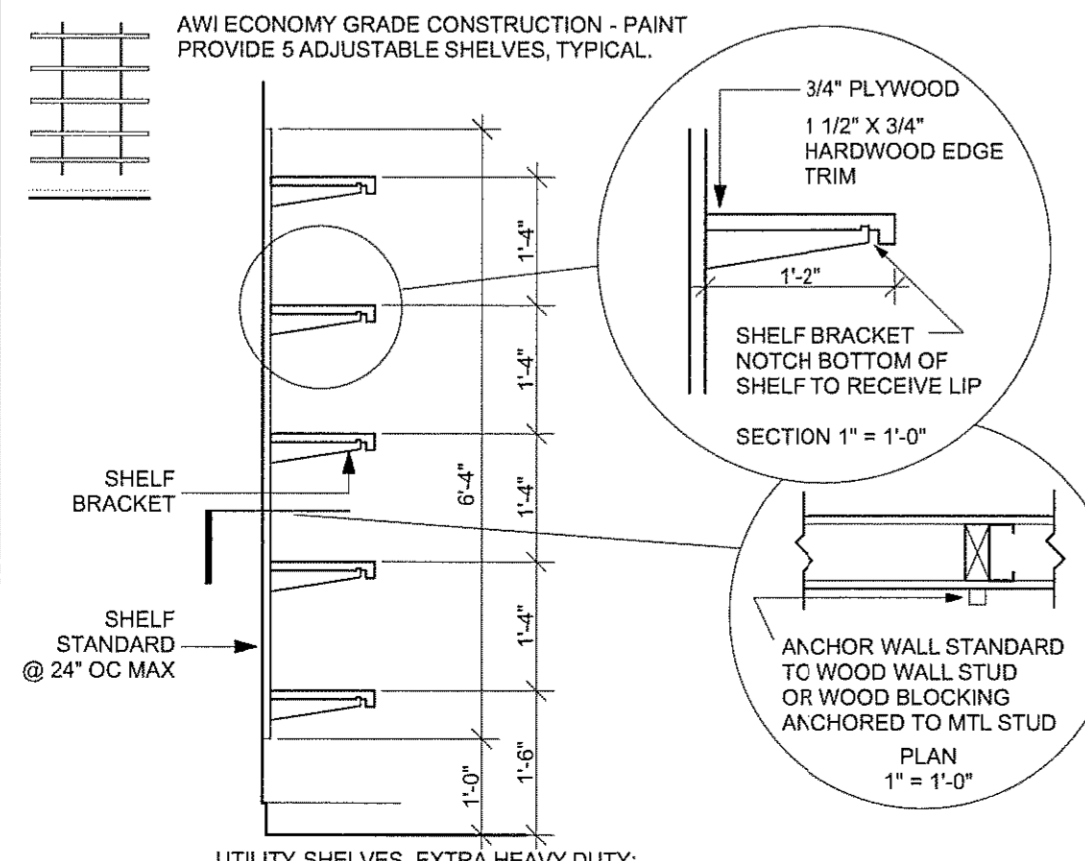
B3 Counter
SCALE: 1" = 1'-0"



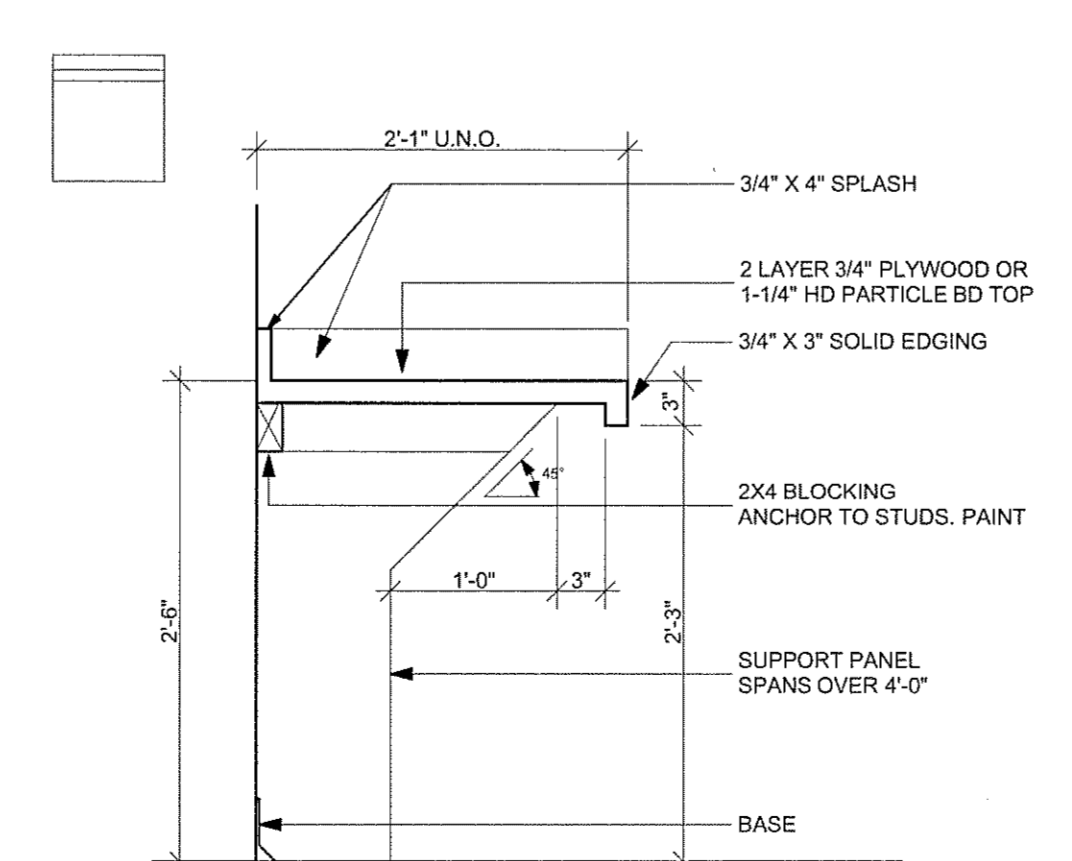
B4 Lavatory Counter
SCALE: 1" = 1'-0"



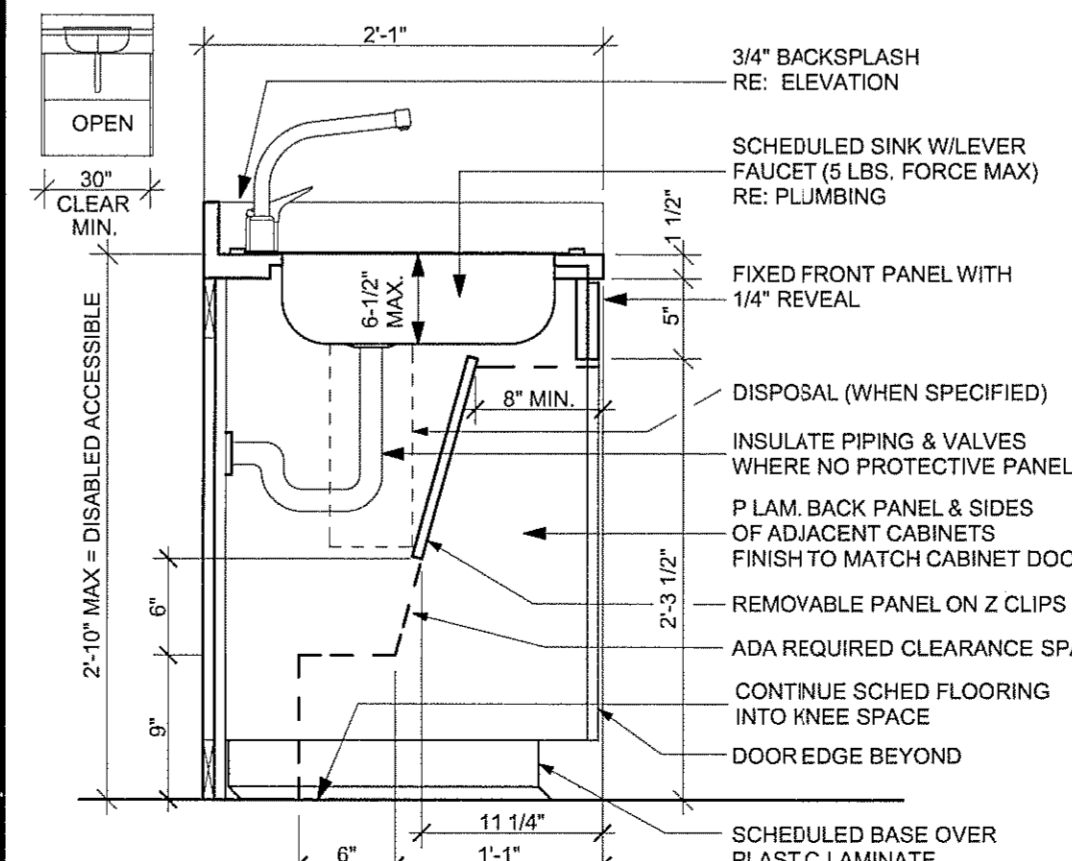
A1 Shelving Units
SCALE: 1/2" = 1'-0"



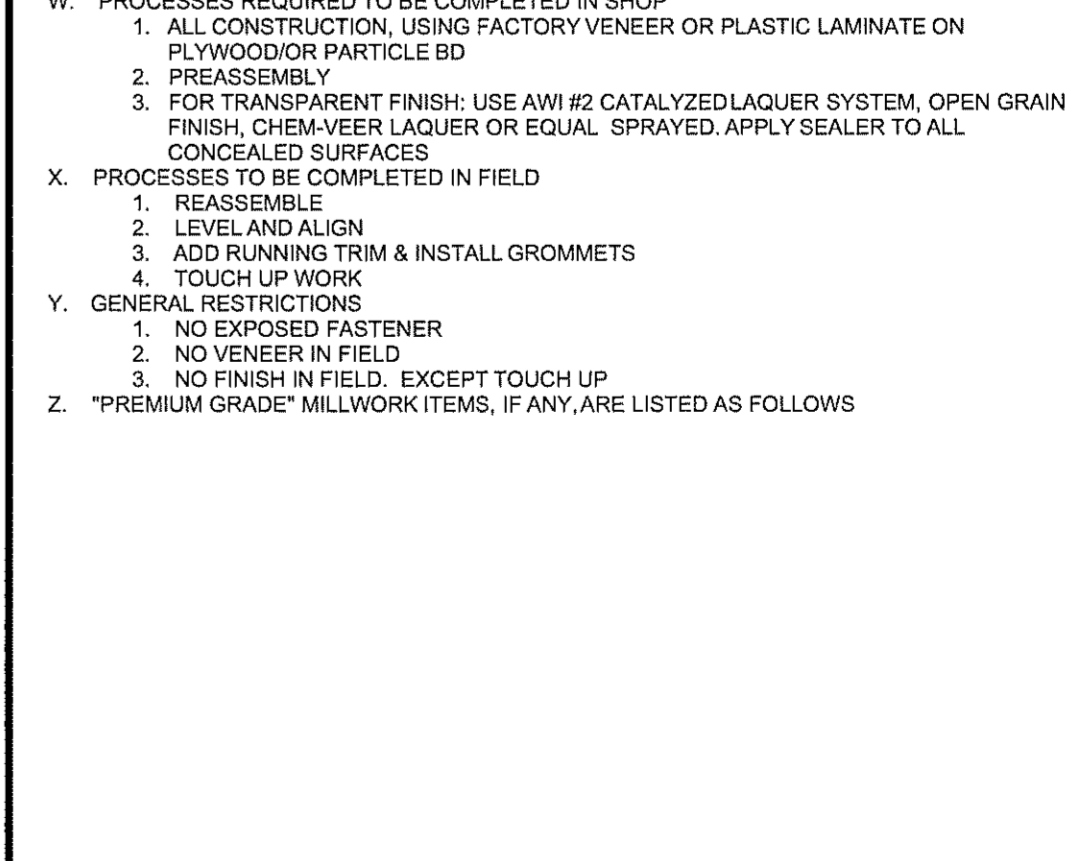
A2 Utility Shelving
SCALE: 1/2" = 1'-0"



A3 Sit Down Counter
SCALE: 1" = 1'-0"



A4 Base Cabinet @ Sink
SCALE: 1" = 1'-0"



A5 General Requirements

GROMMET: CUSTOM GRADE ITEMS - DOUG MOCKETT, EDP SERIES, 2 1/2", BLACK, U.N.O.

WIRE MANAGER: HAFELE #829-15-302

CLOSET ROD: STANLEY V7050 SERIES

DRAWER LOCKS: KV 987 NP

FILE DRAWER FRAME: PENTAFLEX DRAWER FRAME, ADJUSTABLE FOR LETTER AND LEGAL

PEN & CALENDAR: - MATEL #PC 2110-81 IF TABLE MOUNTED.

WASTE CAN WITH DOOR - TOP REMOVAL: - MATEL #WC 5396 AND #5311 BLACK

TRASH MANAGEMENT RING 6" DIA. (USE WITH OWNER'S TRASH CAN) - DOUG MOCKETT # TM-1

MATEL MANUFACTURING, INC. 12811 SOUTH FIGUEROA LOS ANGELES, CA, 90061 PHONE: (800) 217-7666

LOCAL REPRESENTATIVE: JGA 3509 OAK LAWN, SUITE 150 DALLAS, TX 75219 PHONE: (214) 521-6568

McCLEARY GERMAN ARCHITECTS

ARCHITECTURE
PLANNING
INTERIOR DESIGN

2425 WEST LOOP SOUTH
SUITE 665
HOUSTON TEXAS 77027
FAX 713-552-9810
713-552-0707
WWW.MGARCHITECTS.COM

CONSULTANTS

STRUCTURAL ENGINEER:
SCA Consulting Engineers

M/E/P/ ENGINEER:
Henderson Engineers

Samuel A. ... 12.02.09

BankFIRST

Aloma Walk Branch
Aloma Ave.
Oviedo, FL 32765

ISSUE:

MARK	DATE	DESCRIPTION
	08-19-09	D.D. REVIEW
	09-16-09	DEVELOPER REVIEW
	10-12-09	PRICING
	12-02-09	BUILDING PERMIT

PROJECT NO:
09-529.a

MILLWORK DETAILS

A-531