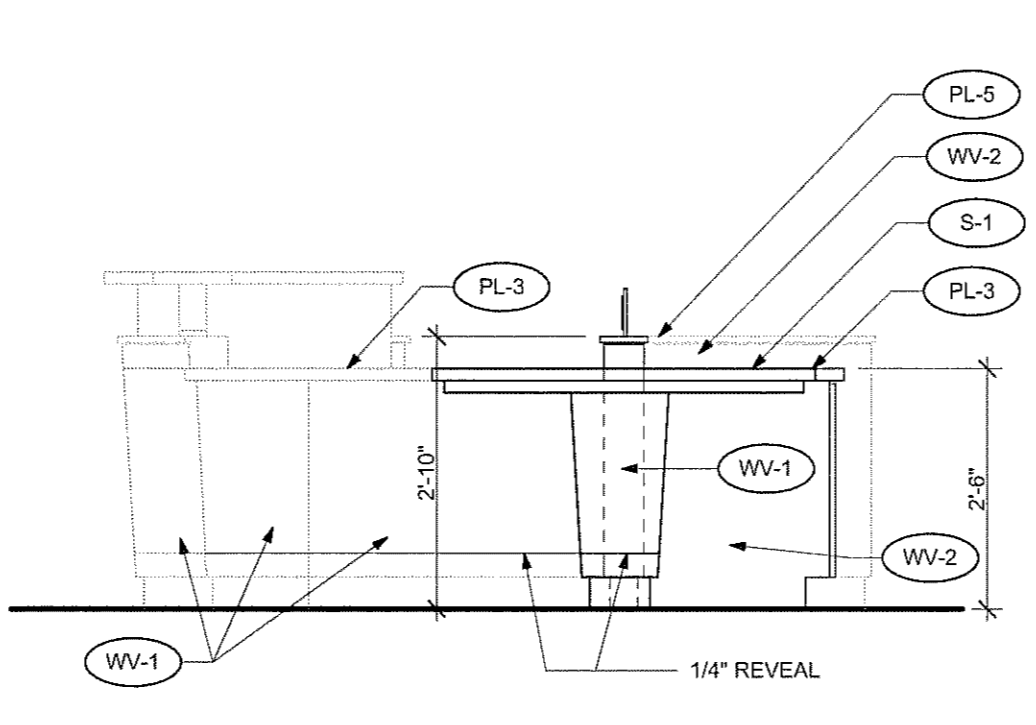
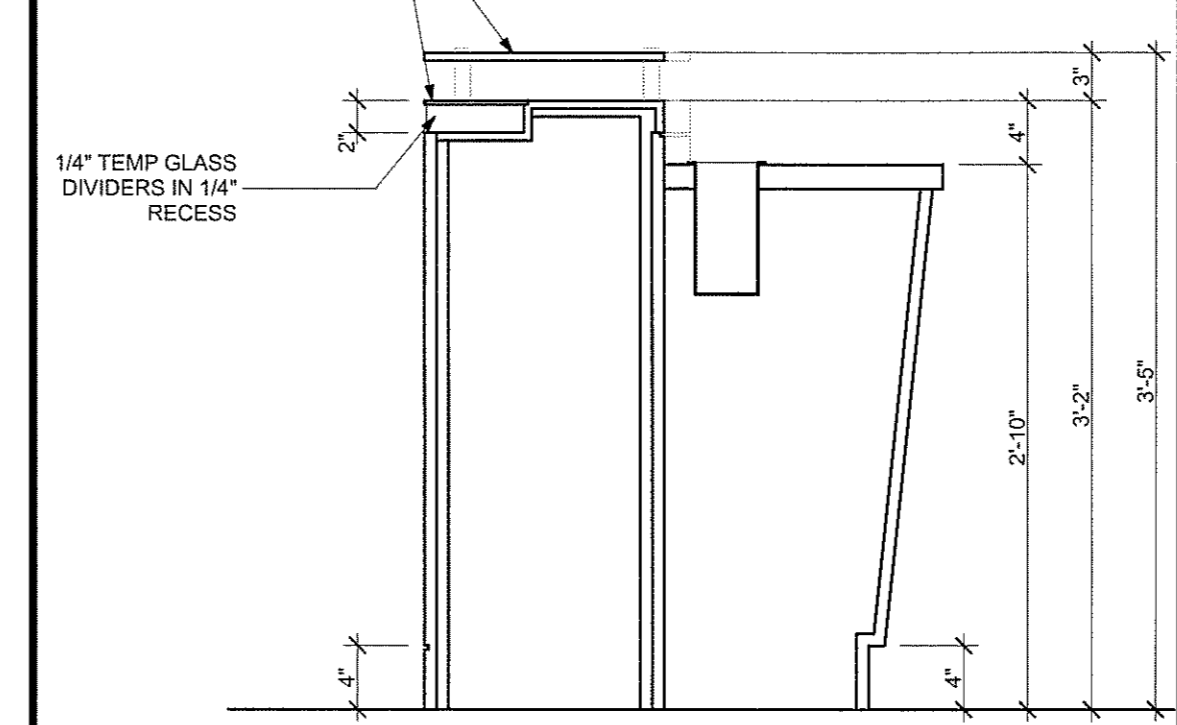


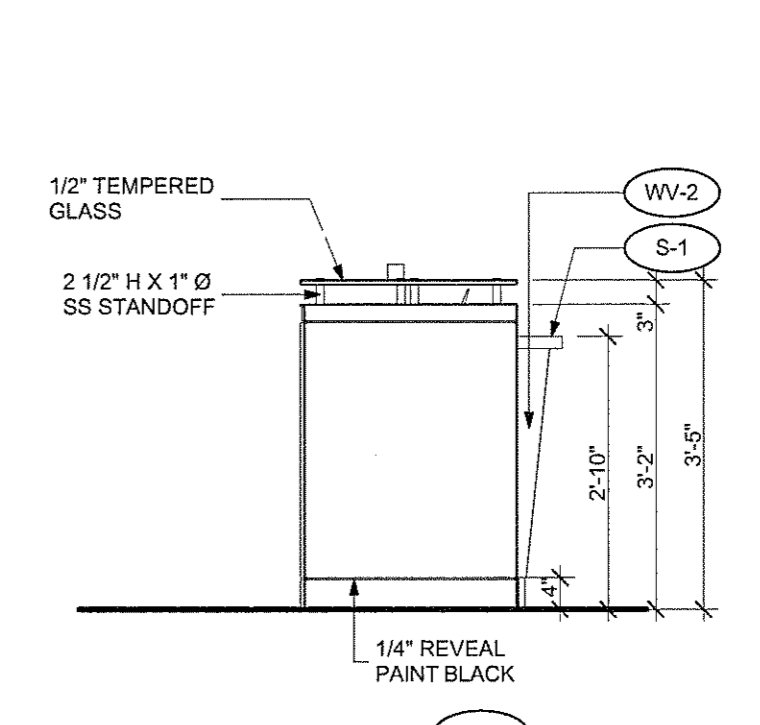
**D1 Greater West Elevation**  
SCALE: 1/2" = 1'-0"



**D3 Greater South Elevation**  
SCALE: 1/2" = 1'-0"



**D4 Checkstand Section**  
SCALE: 1" = 1'-0"



**D5 Checkstand South Elevation**  
SCALE: 1/2" = 1'-0"



ARCHITECTURE  
PLANNING  
INTERIOR DESIGN

2425 WEST LOOP SOUTH  
SUITE 665  
HOUSTON TEXAS 77027  
FAX 713-552-9810  
713-552-0707

WWW.MGARCHITECTS.COM

CONSULTANTS

STRUCTURAL ENGINEER:  
SCA Consulting Engineers

M/E/P/ ENGINEER:  
Henderson Engineers

*David R. ... 12-02-09*



Aloma Walk Branch  
Aloma Ave.  
Oviedo, FL 32765

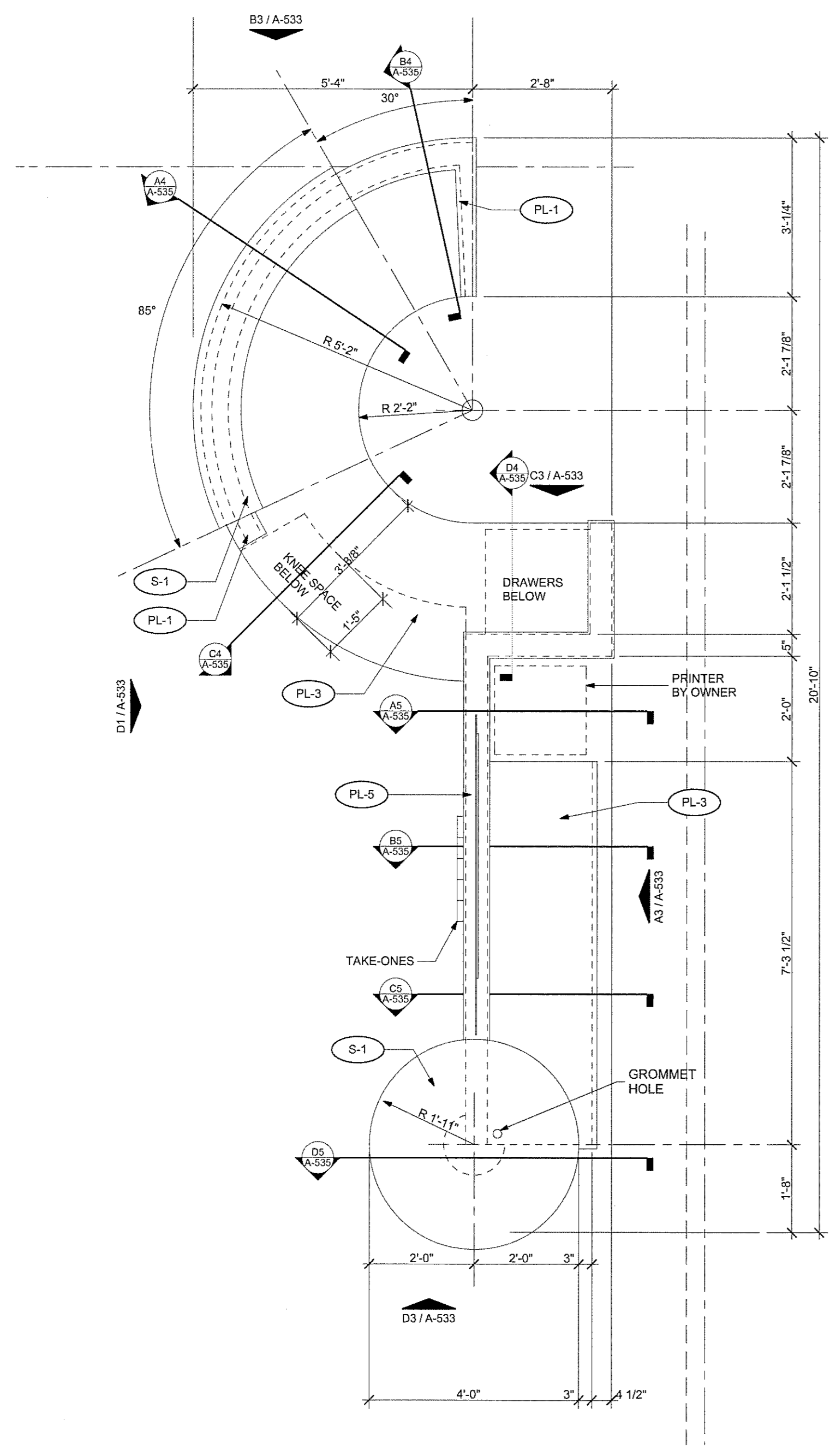
ISSUE:

MARK	DATE	DESCRIPTION
	08-19-09	D.D. REVIEW
	09-15-09	DEVELOPER REVIEW
	10-12-09	PRICING
	12-02-09	BUILDING PERMIT

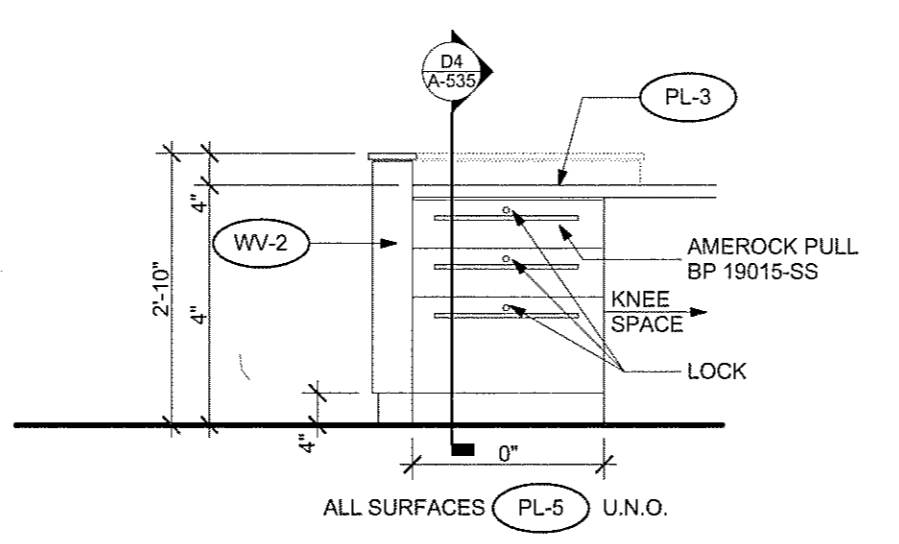
PROJECT NO:  
**09-529.a**

**CHECKSTAND  
GREETER DETAILS**

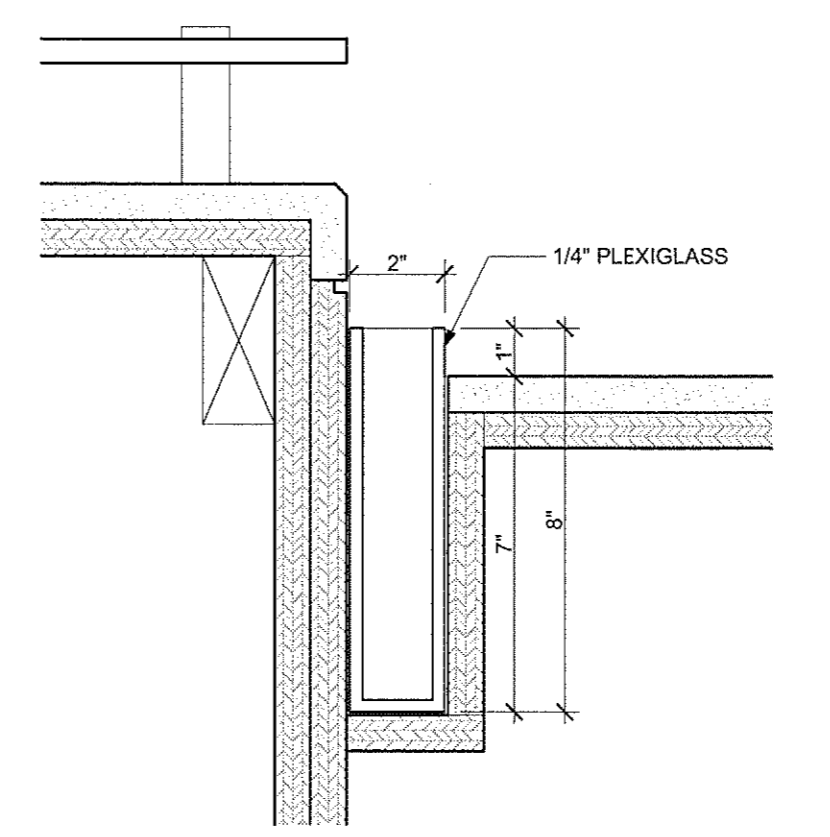
**A-533**



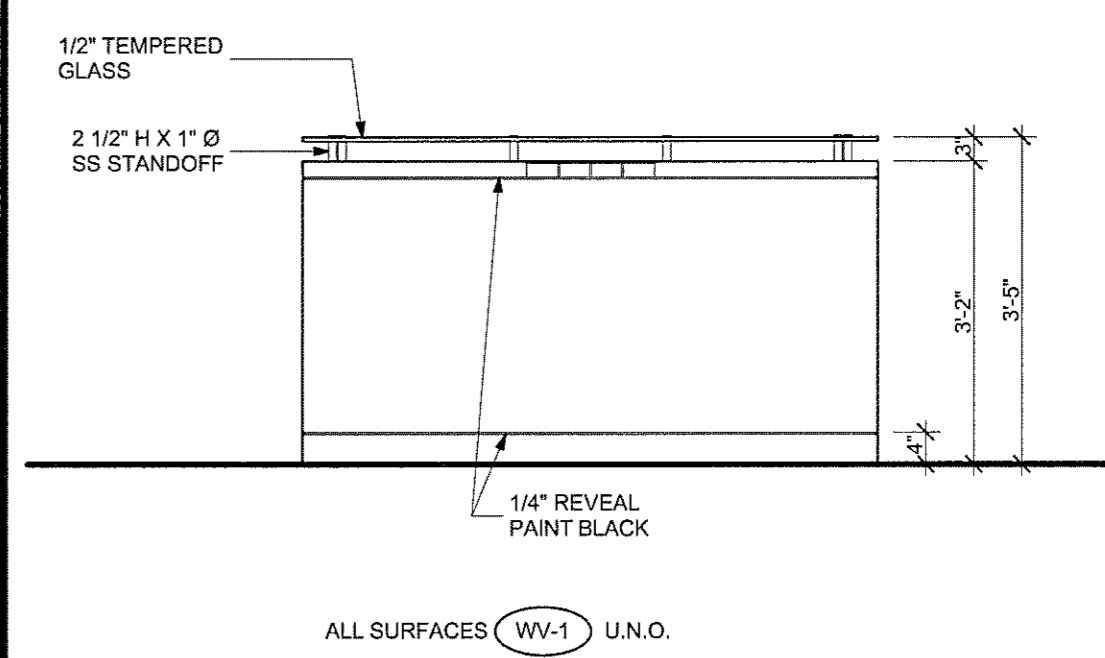
**A1 Greater Plan**  
SCALE: 1/2" = 1'-0"



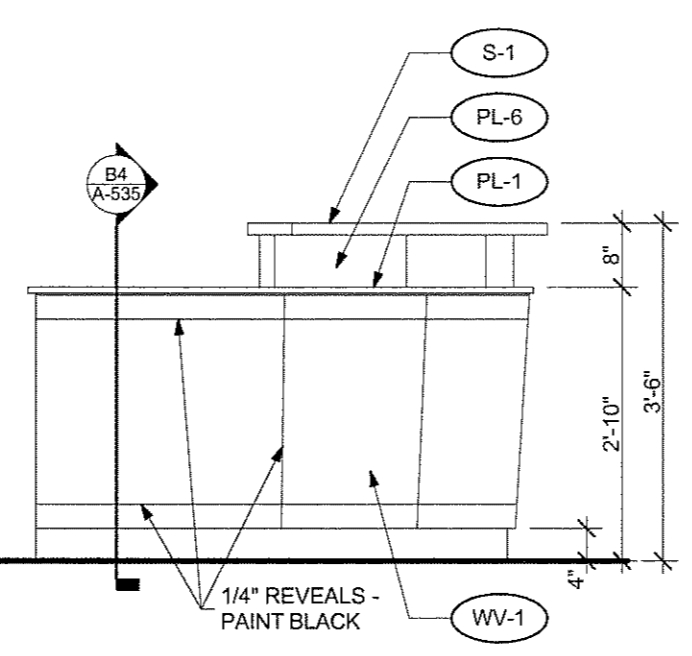
**C3 Greater @ Drawers**  
SCALE: 1/2" = 1'-0"



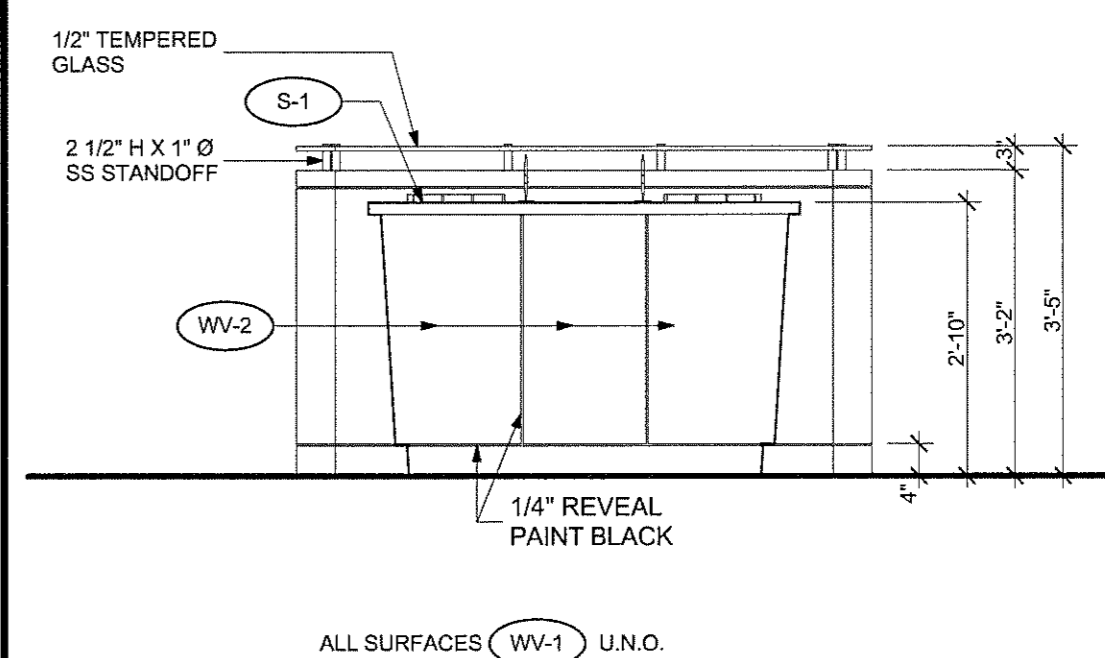
**C4 Section Thru Take-Ones**  
SCALE: 3" = 1'-0"



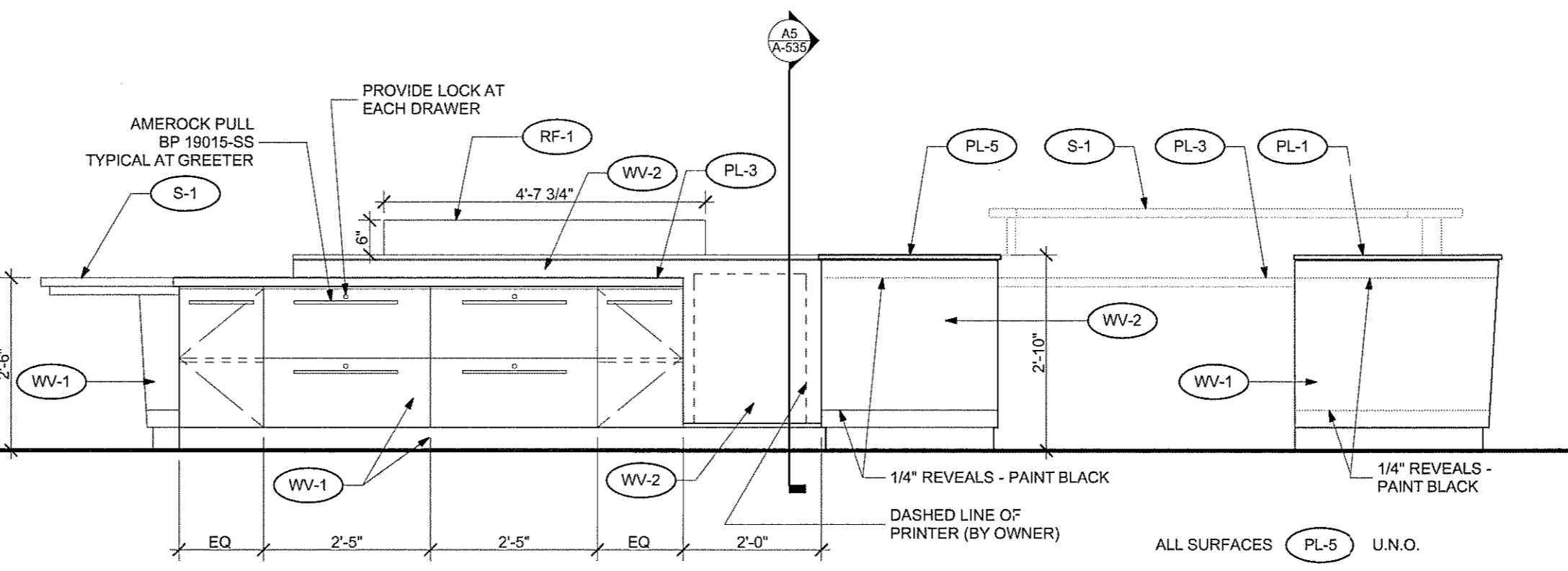
**C5 Checkstand West Elevation**  
SCALE: 1/2" = 1'-0"



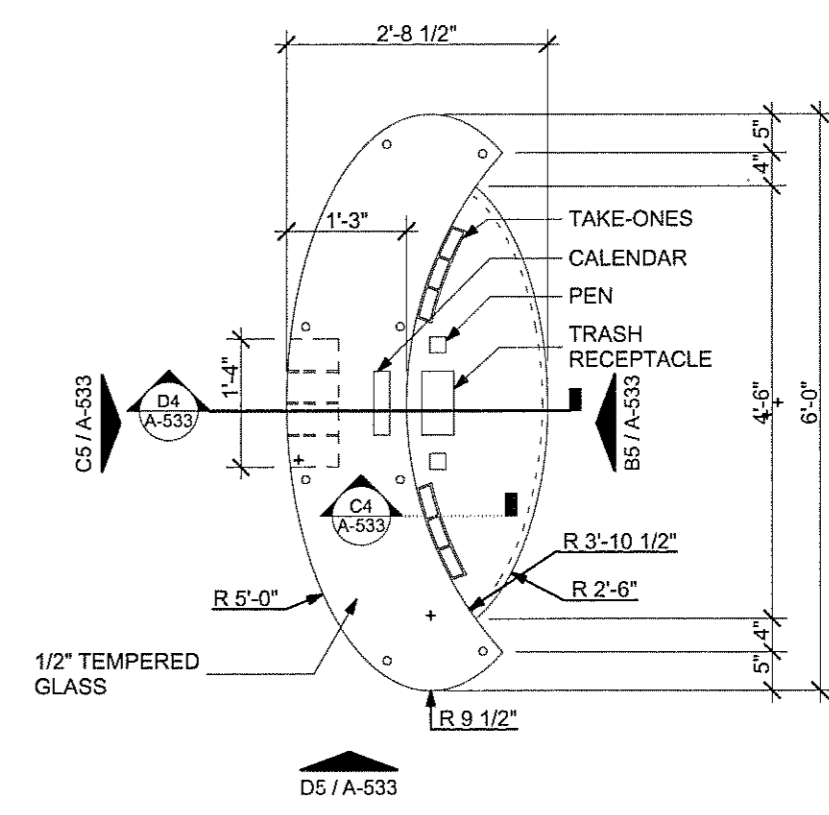
**B3 Greater North Elevation**  
SCALE: 1/2" = 1'-0"



**B5 Checkstand East Elevation**  
SCALE: 1/2" = 1'-0"



**A3 Greater East Elevation**  
SCALE: 1/2" = 1'-0"



**A5 Checkstand Plan**  
SCALE: 1/2" = 1'-0"

Thursday, December 03, 2009 12:24 PM