

**CONSULTANTS**

STRUCTURAL ENGINEER:  
SCA Consulting Engineers  
  
ME/PE ENGINEER:  
Henderson Engineers

*David A. Quinn 12-02-09*

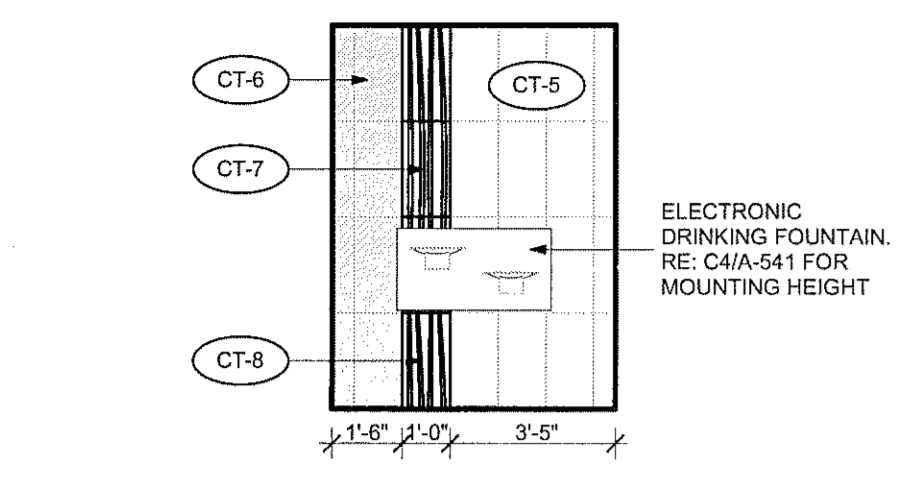
**BankFIRST**  
Aloma Walk Branch  
Aloma Ave.  
Oviedo, FL 32765

**ISSUE:**

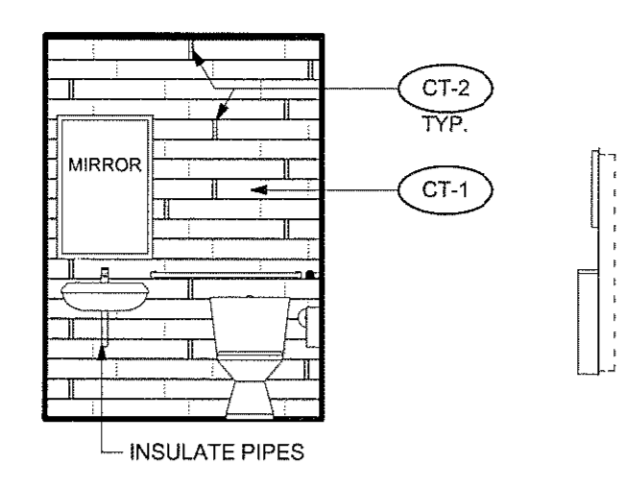
MARK	DATE	DESCRIPTION
06-19-09		D.D. REVIEW
09-15-09		DEVELOPER REVIEW
10-12-09		PRICING
12-02-09		BUILDING PERMIT

PROJECT NO:  
**09-529.a**

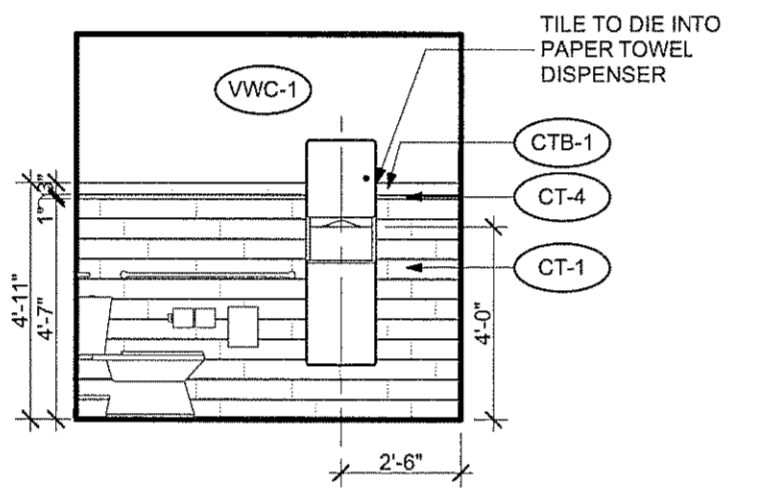
**RESTROOM DETAILS**



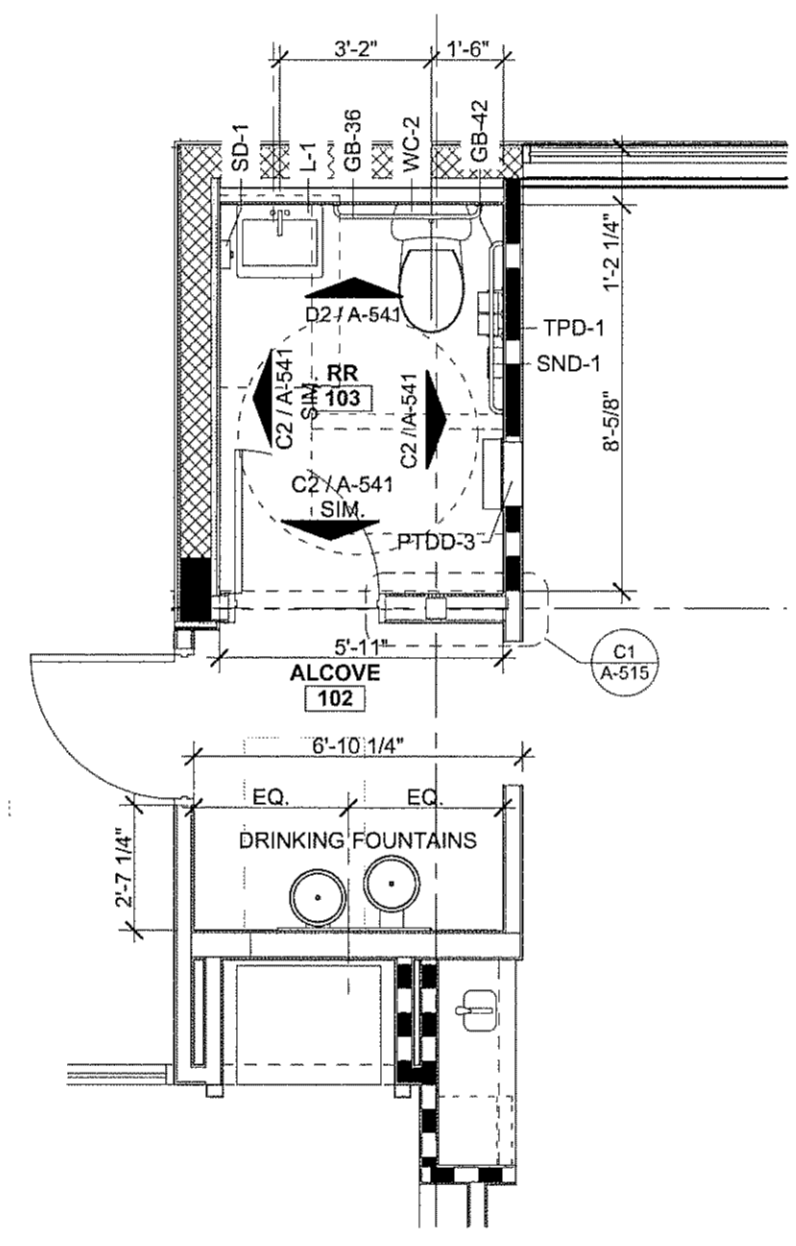
**D1 Alcove 102 South**  
SCALE: 1/4" = 1'-0"



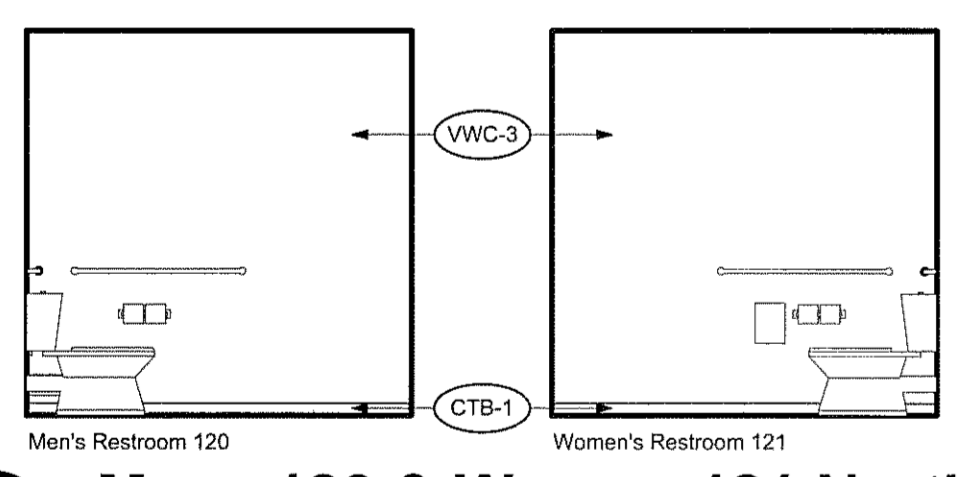
**D2 Restroom 103 North**  
SCALE: 1/4" = 1'-0"



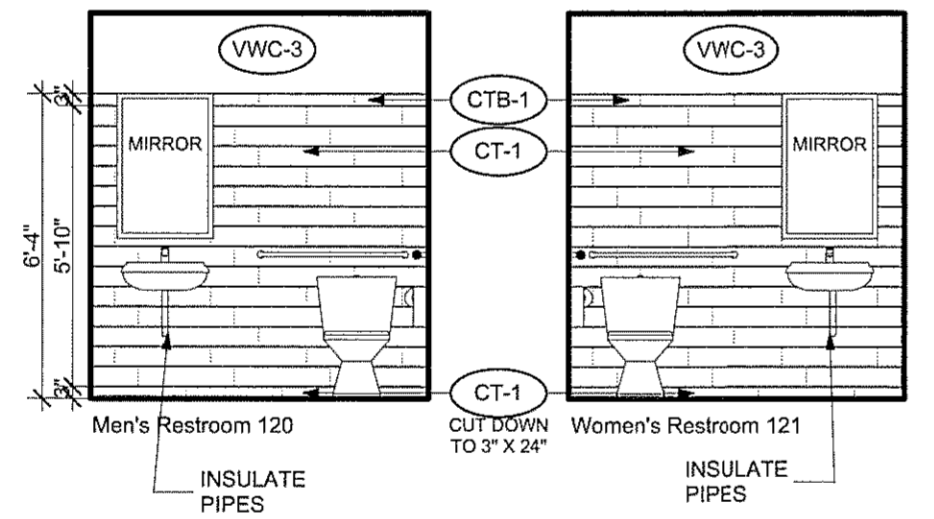
**C2 Restroom 103 Typ. Wall Pattern**  
SCALE: 1/4" = 1'-0"



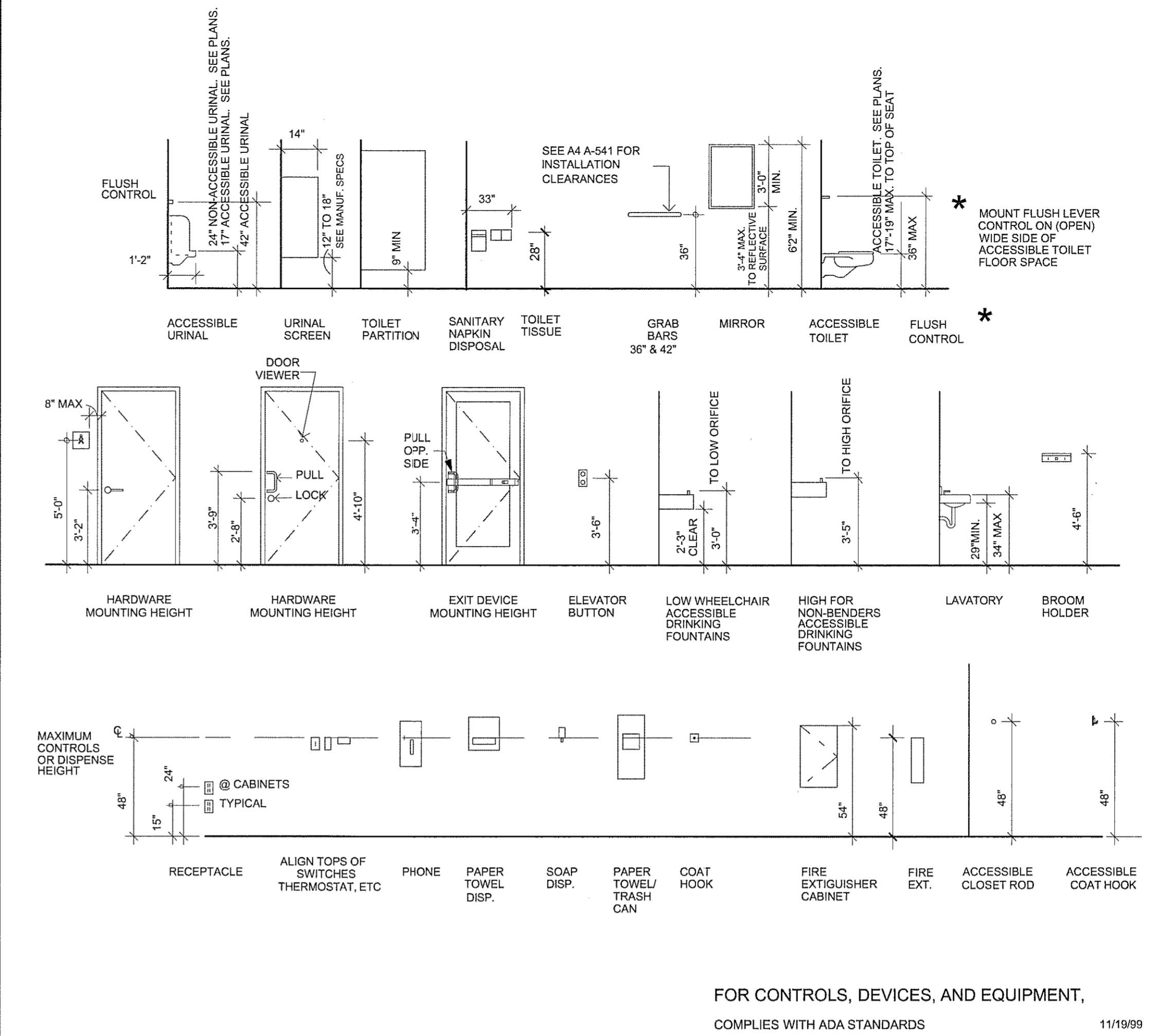
**B3 Restroom 103 Plan**  
SCALE: 1/4" = 1'-0"



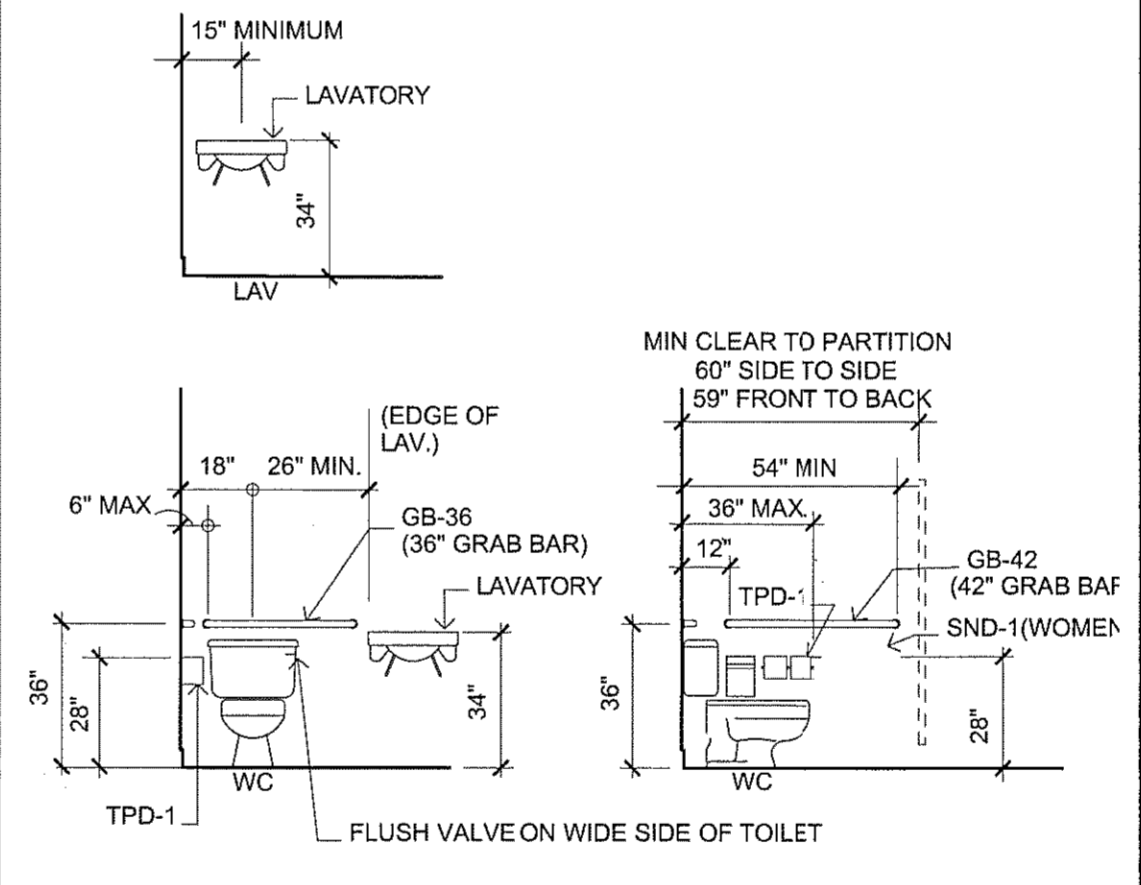
**B1 Mens 120 & Women 121 North**  
SCALE: 1/4" = 1'-0"



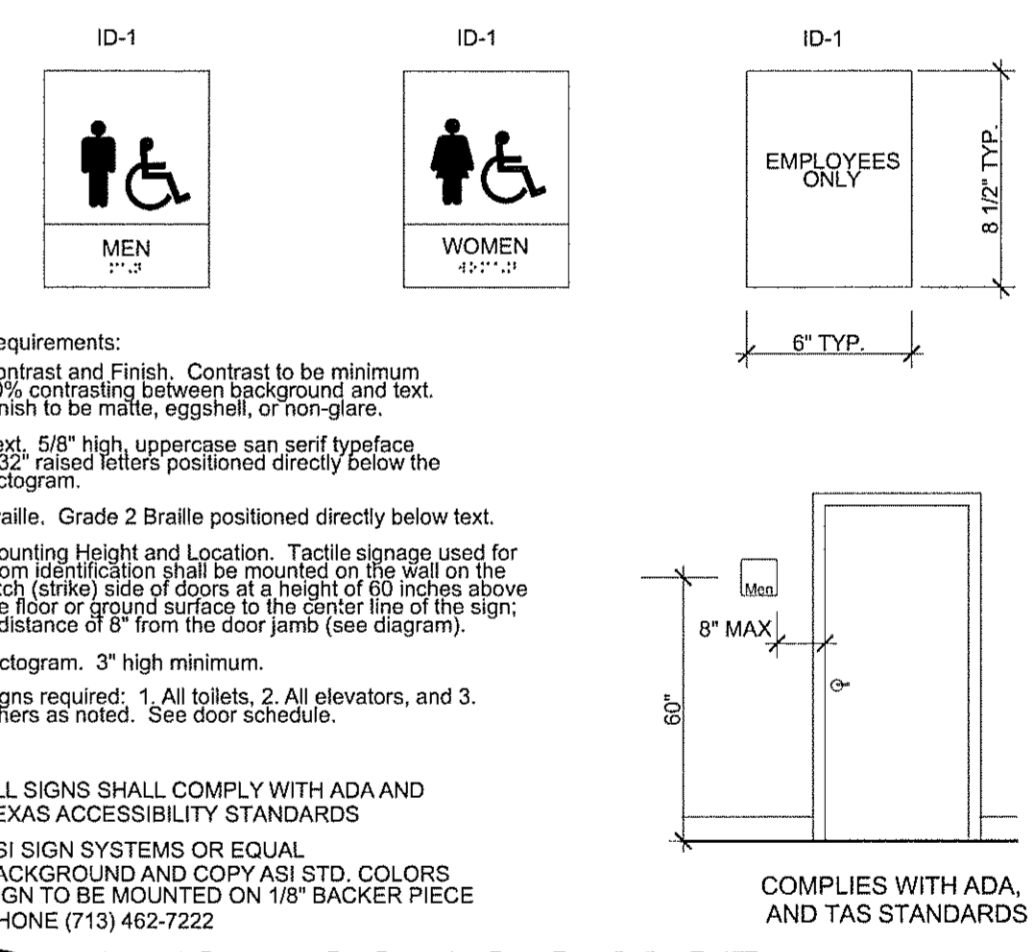
**B2 Mens 120 West/Womens 121 East**  
SCALE: 1/4" = 1'-0"



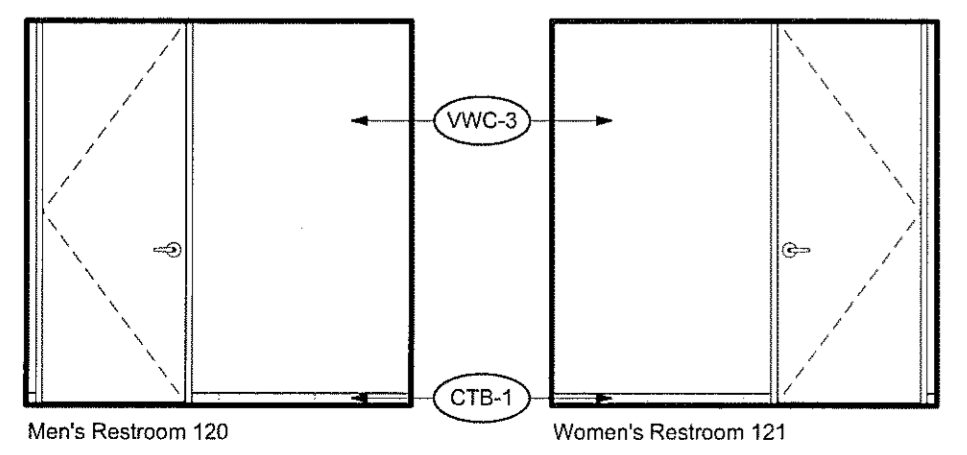
**C4 MOUNTING HEIGHTS SCHEDULE**  
SCALE: 1/4" = 1'-0"



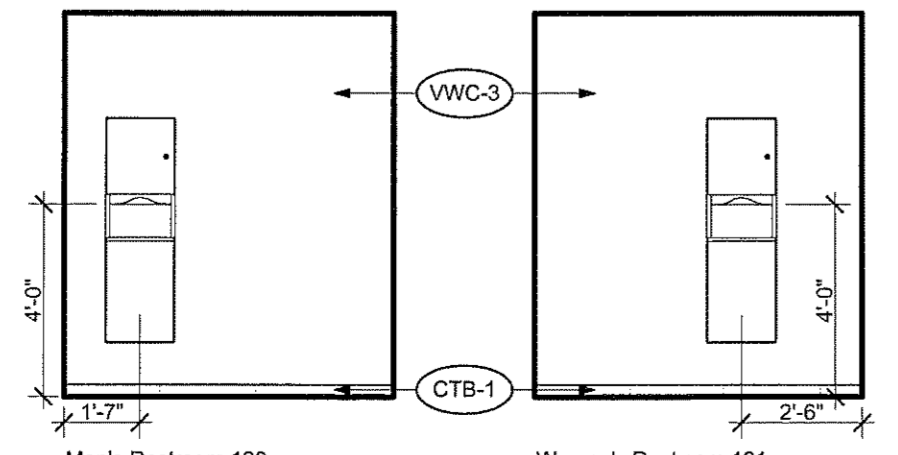
**B4 TYP. REQ. CLEARANCES**  
SCALE: 1/4" = 1'-0"



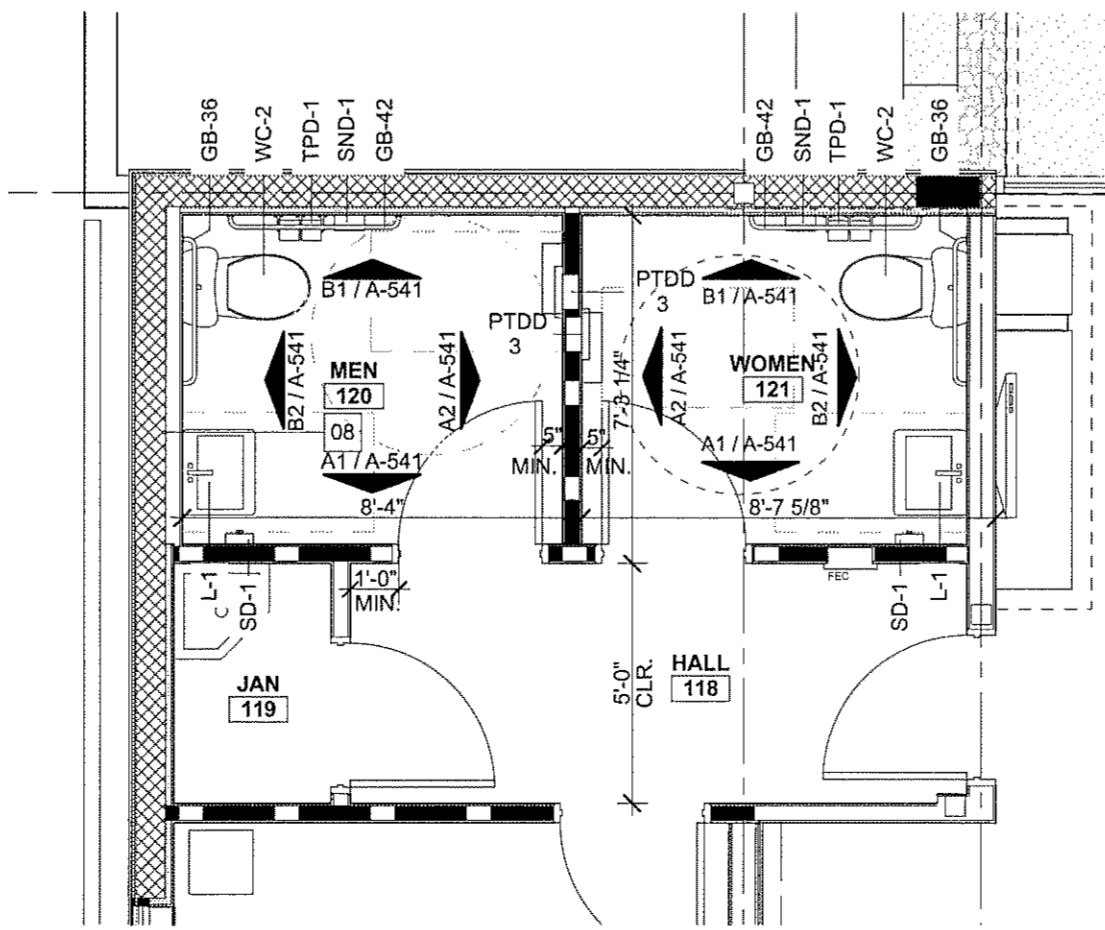
**B5 RESTROOM SIGNAGE**  
SCALE: 1/4" = 1'-0"



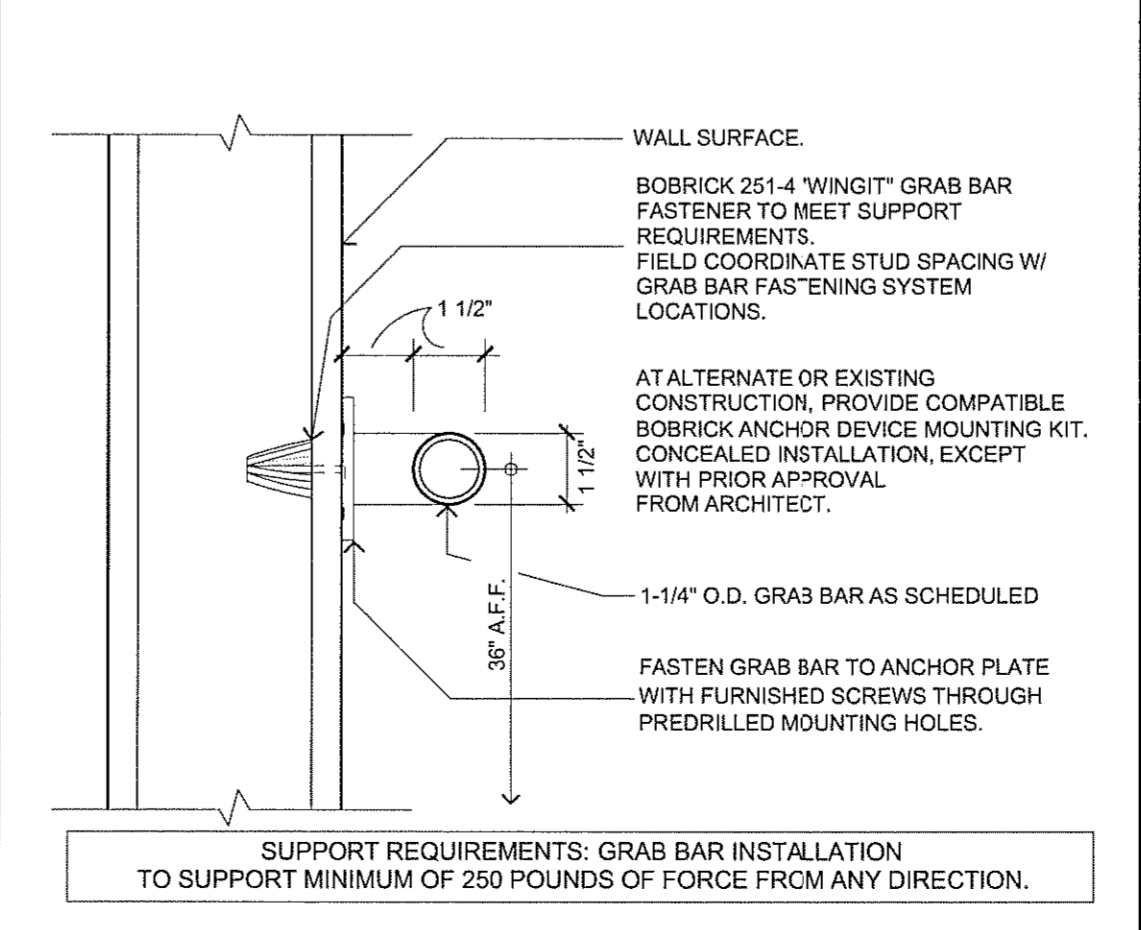
**A1 Mens 120 & Women 121 South**  
SCALE: 1/4" = 1'-0"



**A2 Mens 120 East & Women 121 West**  
SCALE: 1/4" = 1'-0"



**A3 Restroom 120 & 121 Plan**  
SCALE: 1/4" = 1'-0"



**A4 GRAB BAR DETAIL**  
SCALE: 3" = 1'-0"

RESTROOM ACCESSORIES LISTING ONLY APPLICABLE AS NOTED BY ACCESSORY MARKS ON PLAN AND/OR ELEVATION.

IN SINGLE OCCUPANCY RESTROOMS PROVIDE CH-1 ON BACK OF DOOR. IN MULTIPLE OCCUPANCY RESTROOMS PROVIDE PARTITION MANUFACTURER DOOR STOP/COAT HOOK IN EACH STALL.

PROVIDE SHELF AND MOP HOLDER MH-1 AT EACH JANITOR CLOSET.

PRODUCTS SPECIFIED ARE BY BOBRICK WASHROOM EQUIPMENT, INC. EQUIVALENT SUBSTITUTIONS BY BRADLEY CORPORATION ARE ACCEPTABLE.

SEE B4, B5, AND C-A-541 FOR MOUNTING HEIGHT REQUIREMENTS AND CLEARANCES.

SEE A4 A-541 FOR GRAB BAR INSTALLATION REQUIREMENTS.

SEE PLUMBING SHEET FOR PLUMBING FIXTURES.

VERIFY THAT NO PIPING OR CONDUIT IS INSTALLED IN AREA DESIGNED FOR RECESSED ACCESSORIES.

MARK	TOILET ROOM ACCESSORIES DESCRIPTION	MODEL #
TPD-1:	Two-roll Toilet Paper Dispenser (Surface Mounted)	B-6867
GB-36:	Grab Bar - 36" x 1 1/2" diameter, w/ Fastener System	B-6806 X 36 & 251-4
GB-42:	Grab Bar - 42" x 1 1/2" diameter w/ Fastener System	B-6806 X 42 & 251-4
CH-1:	Clothes Hook	B-6717
SD-1:	Soap Dispenser (Counter Mounted- Top Fill)	B-6226
SD-2:	Soap Dispenser (Surface Mounted)	B-4112
PTDD-1:	Paper Towel Dispenser/Disposal SMALL (Rec'd- 4"deep)	B-4369
PTDD-2:	Paper Towel Dispenser/Disposal SMALL (Surface Mt'd.)	B-4369
PTDD-3:	Paper Towel Dispenser/Disposal LARGE (Rec'd- 4"deep)	B-4364
PTDD-4:	Paper Towel Dispenser/Disposal LARGE (Surface Mt'd.)	B-4364
PTDD-5:	Paper Towel Dispenser SMALL (Surface Mt'd.)	B-4369
SND-1:	Sanitary Napkin Disposal (Surface Mounted)	B-4262
SNV-1:	Sanitary Napkin Vendor (Surface Mounted)	B-43509
MH-1:	Mop Holder	B-224-36
M-1:	Mirror with S.S. channel frame and wall hanger	B-165-2436

**A5 RESTROOM ACCESSORIES**  
SCALE: 1/4" = 1'-0"