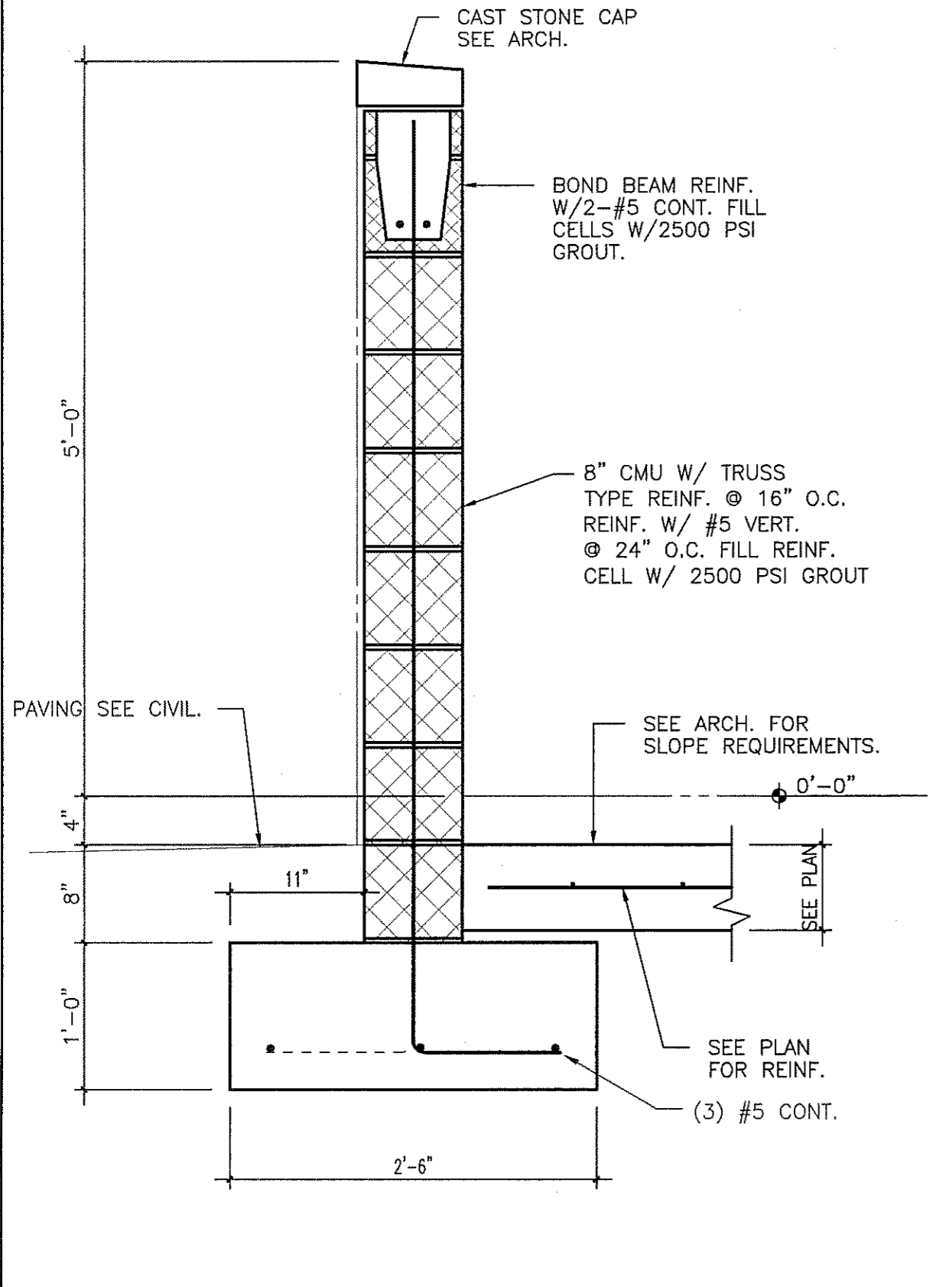


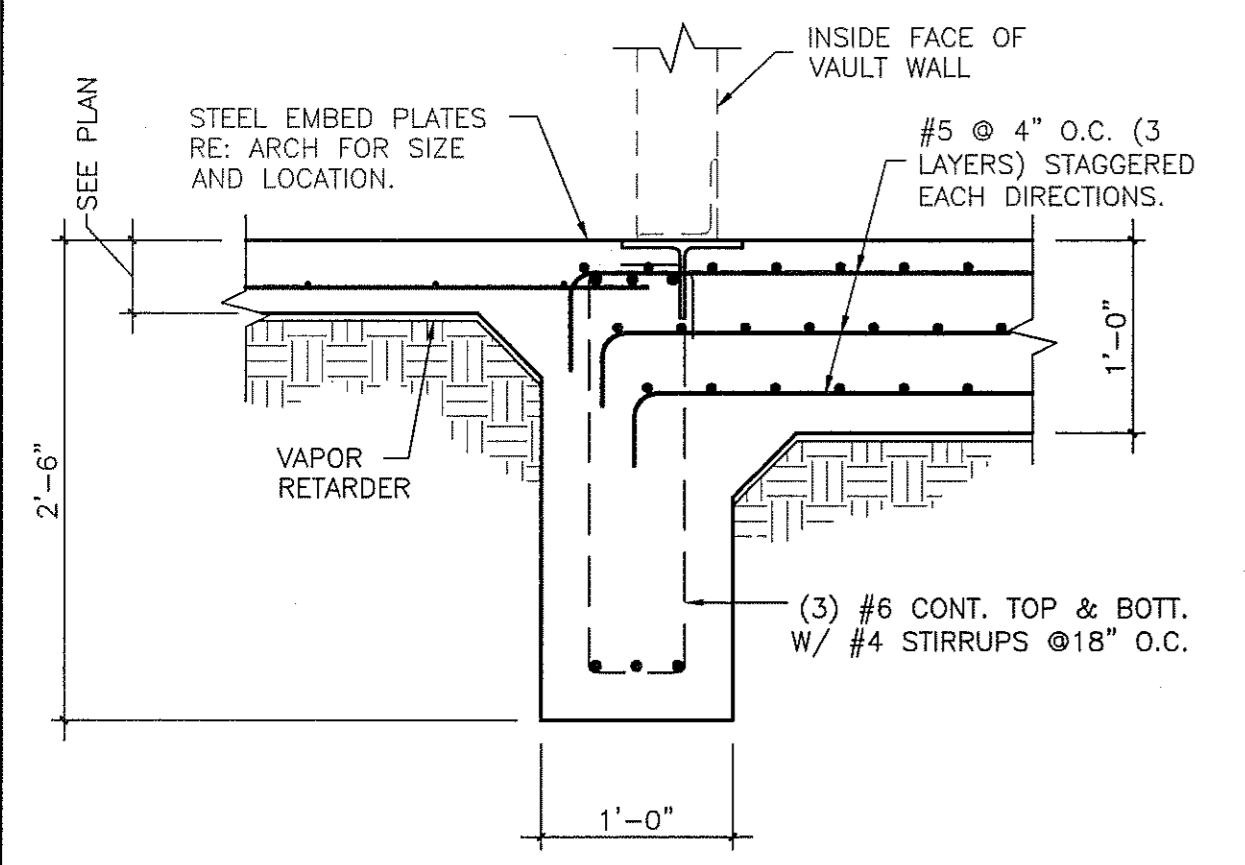
GRADE BEAM DETAIL

12



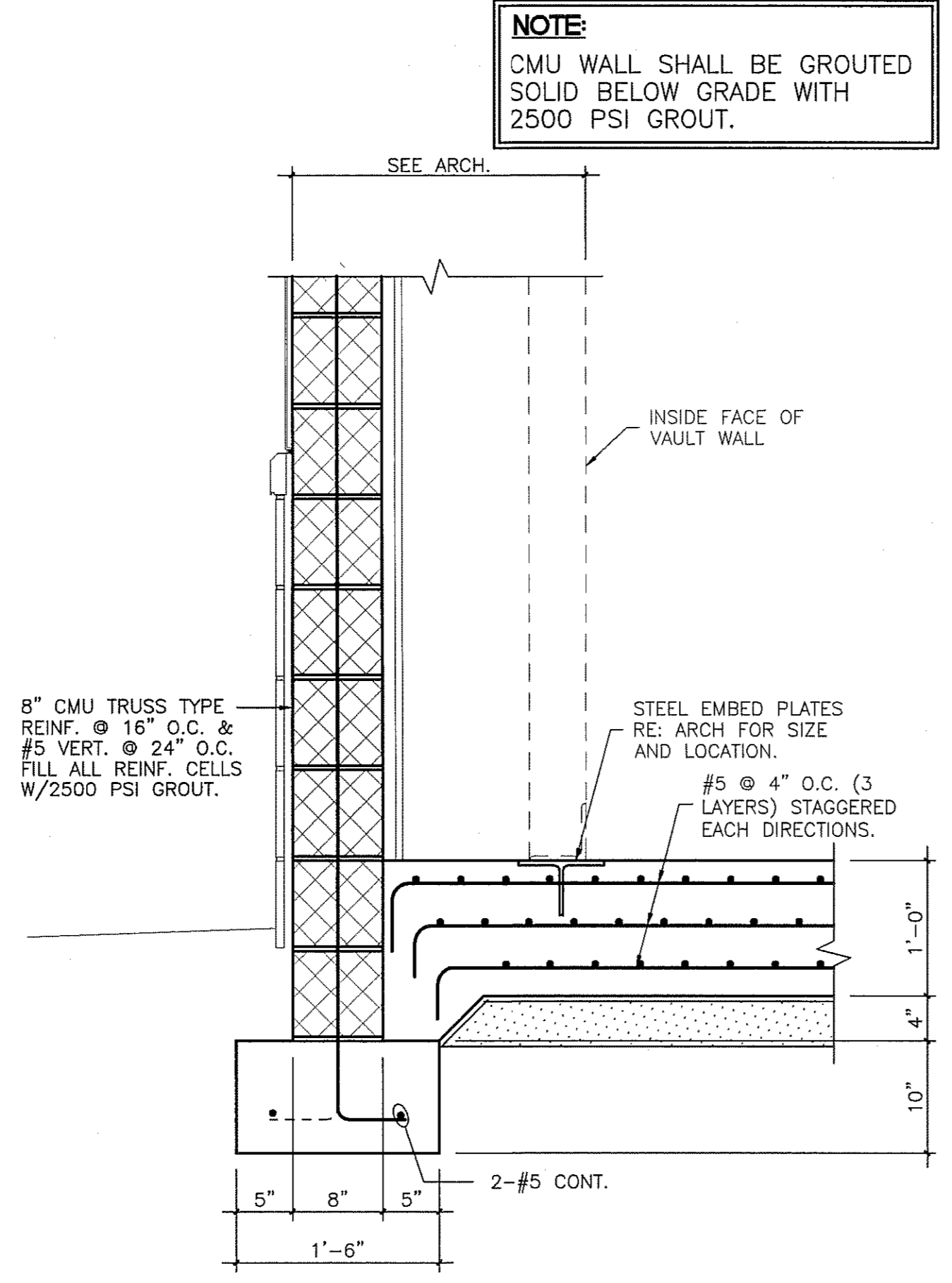
WALL SECTION at MECH. YARD

11



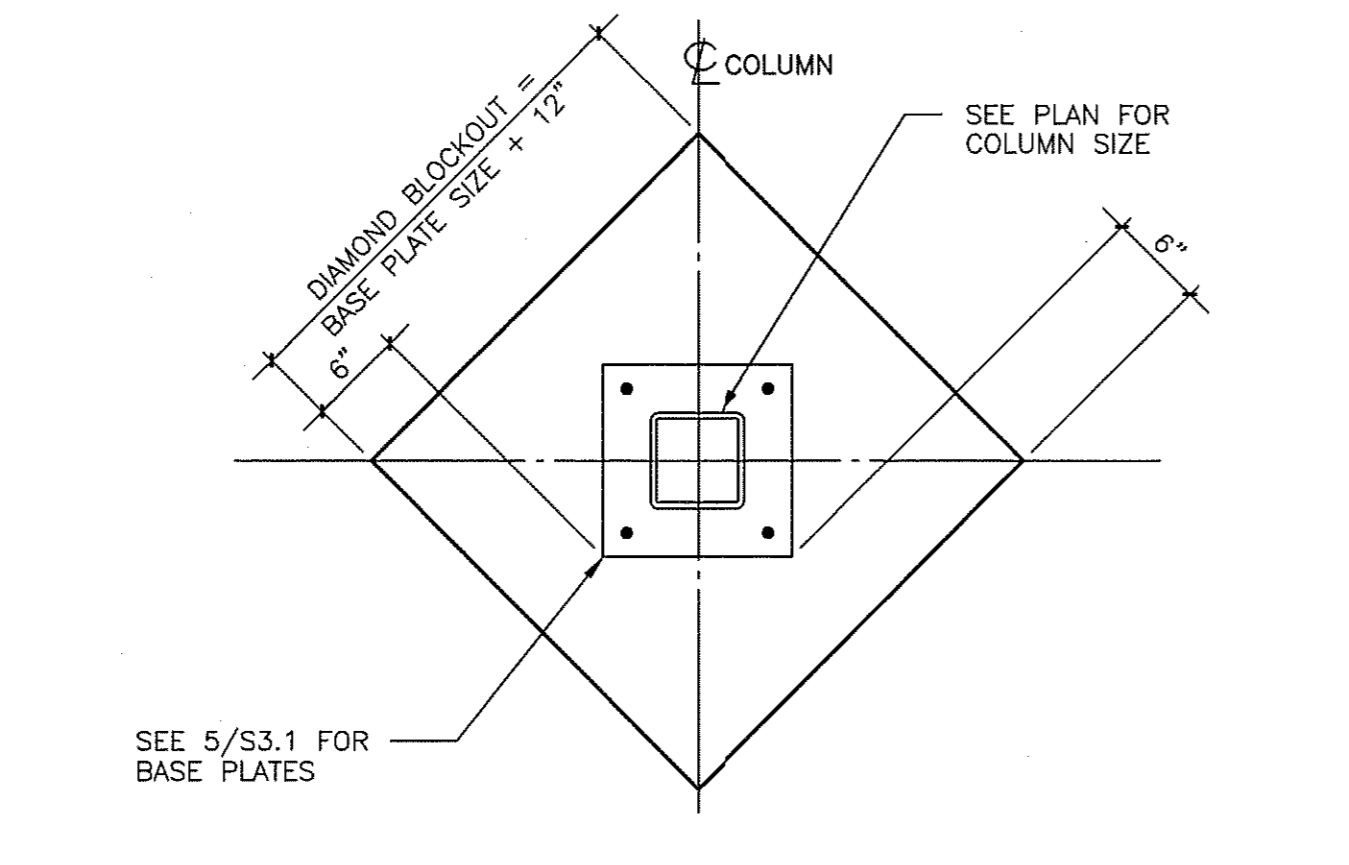
INTERIOR GRADE BEAM at VAULT

10



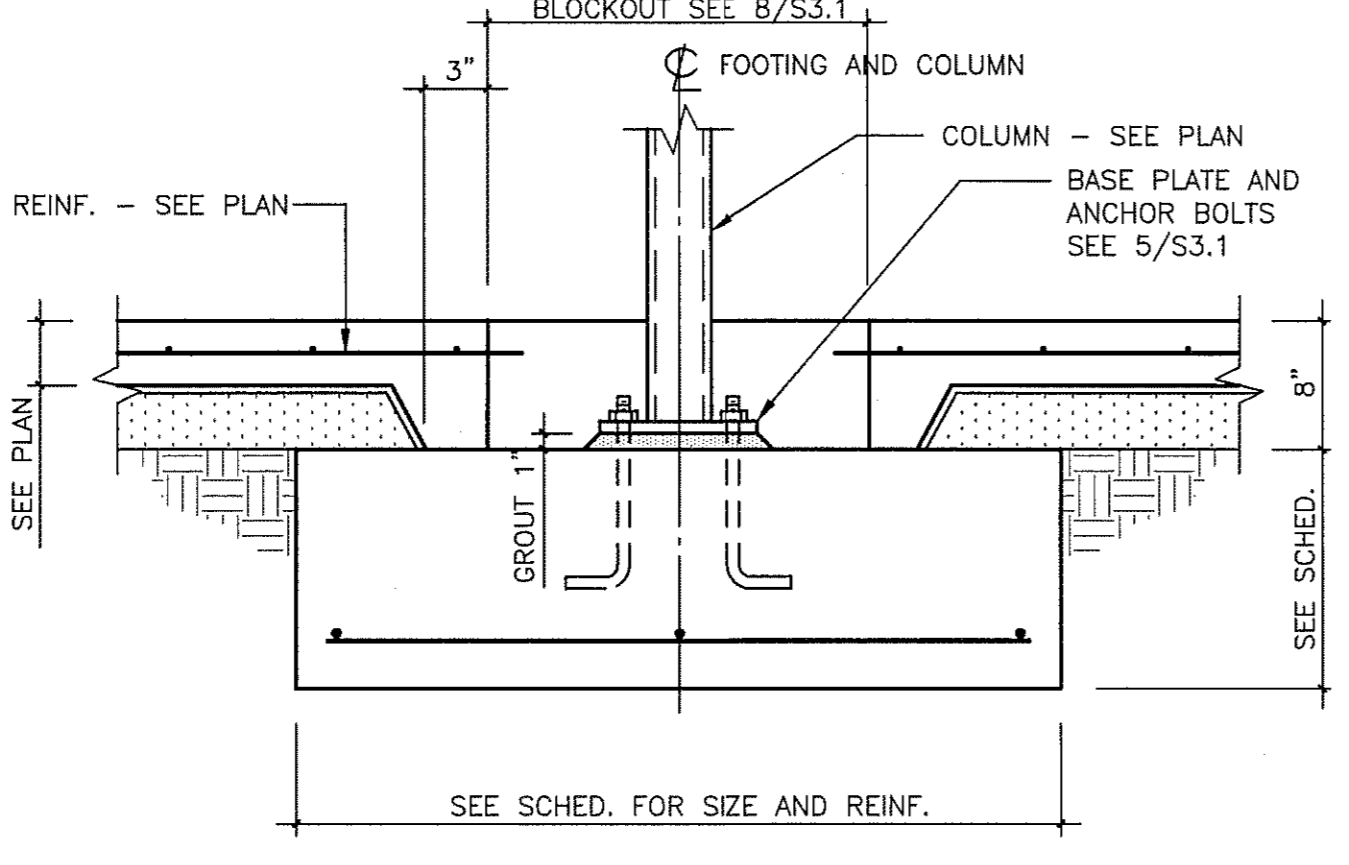
WALL SECTION at VAULT

9



COLUMN BLOCKOUT

8



INTERIOR FOOTING DETAIL

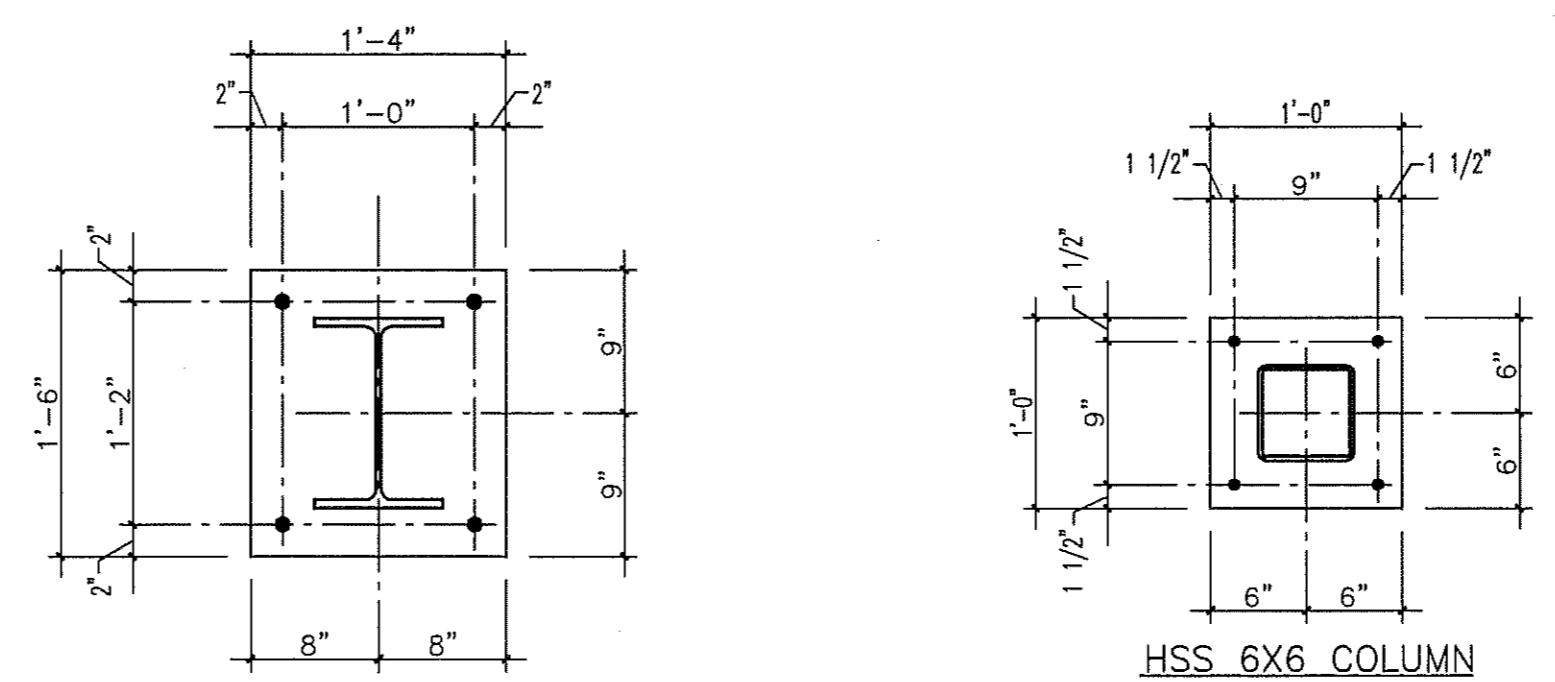
7

FOOTING SCHEDULE

MARK	SIZE	REINFORCING
F2	2'-0" X 2'-0" X 1'-0"	2 - #5 E.W. BOT.
F3	3'-0" X 3'-0" X 1'-4"	3 - #5 E.W. BOT.
F3.5	3'-6" X 3'-6" X 1'-4"	4 - #5 E.W. BOT.
F4	4'-0" X 4'-0" X 1'-4"	4 - #6 E.W. BOT.
F5	5'-0" X 5'-0" X 1'-4"	5 - #6 E.W. BOT.
F9	9'-0" X 9'-0" X 1'-6"	9-#6 EACH WAY TOP AND BOTTOM

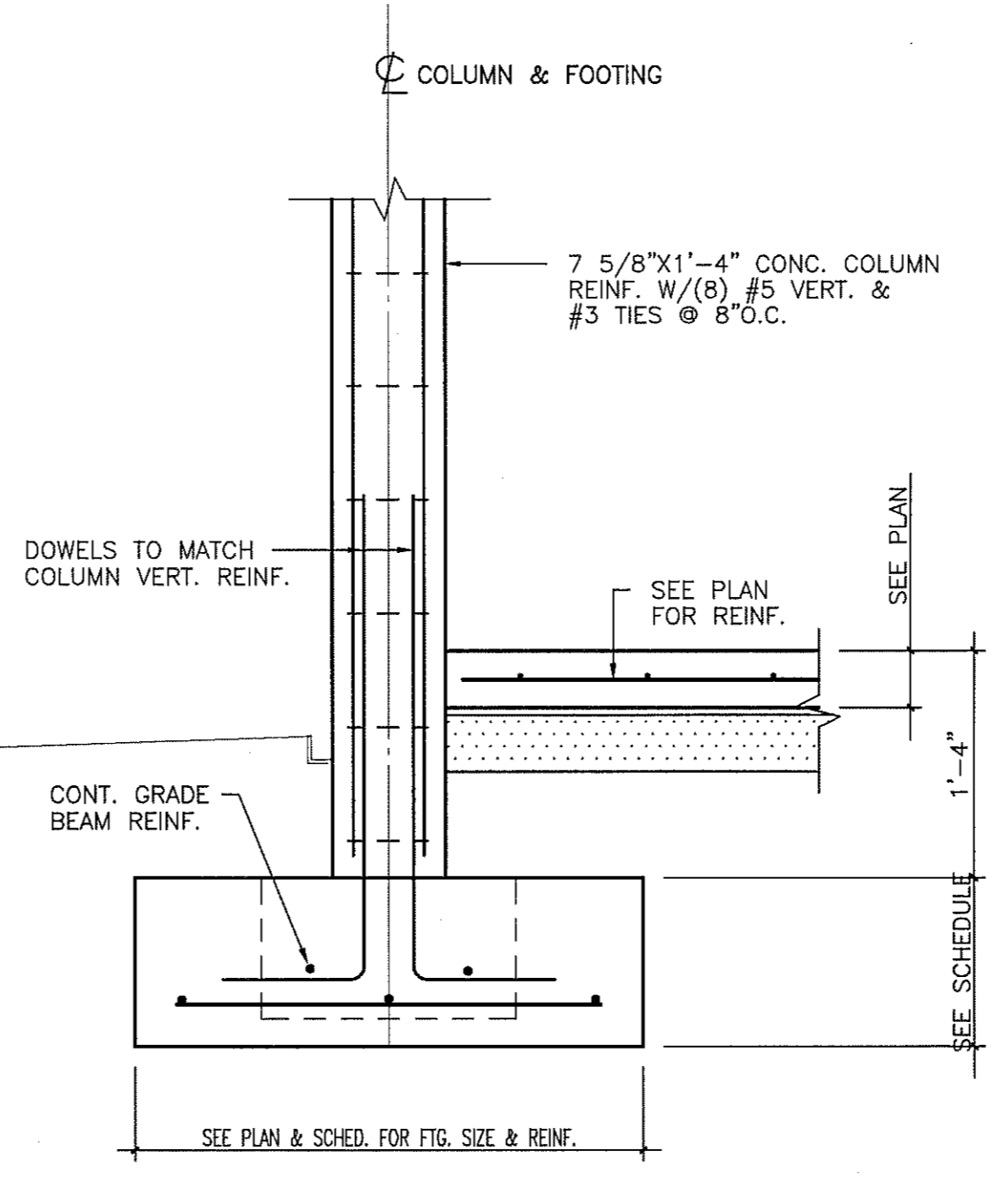
FOOTING SCHEDULE

6



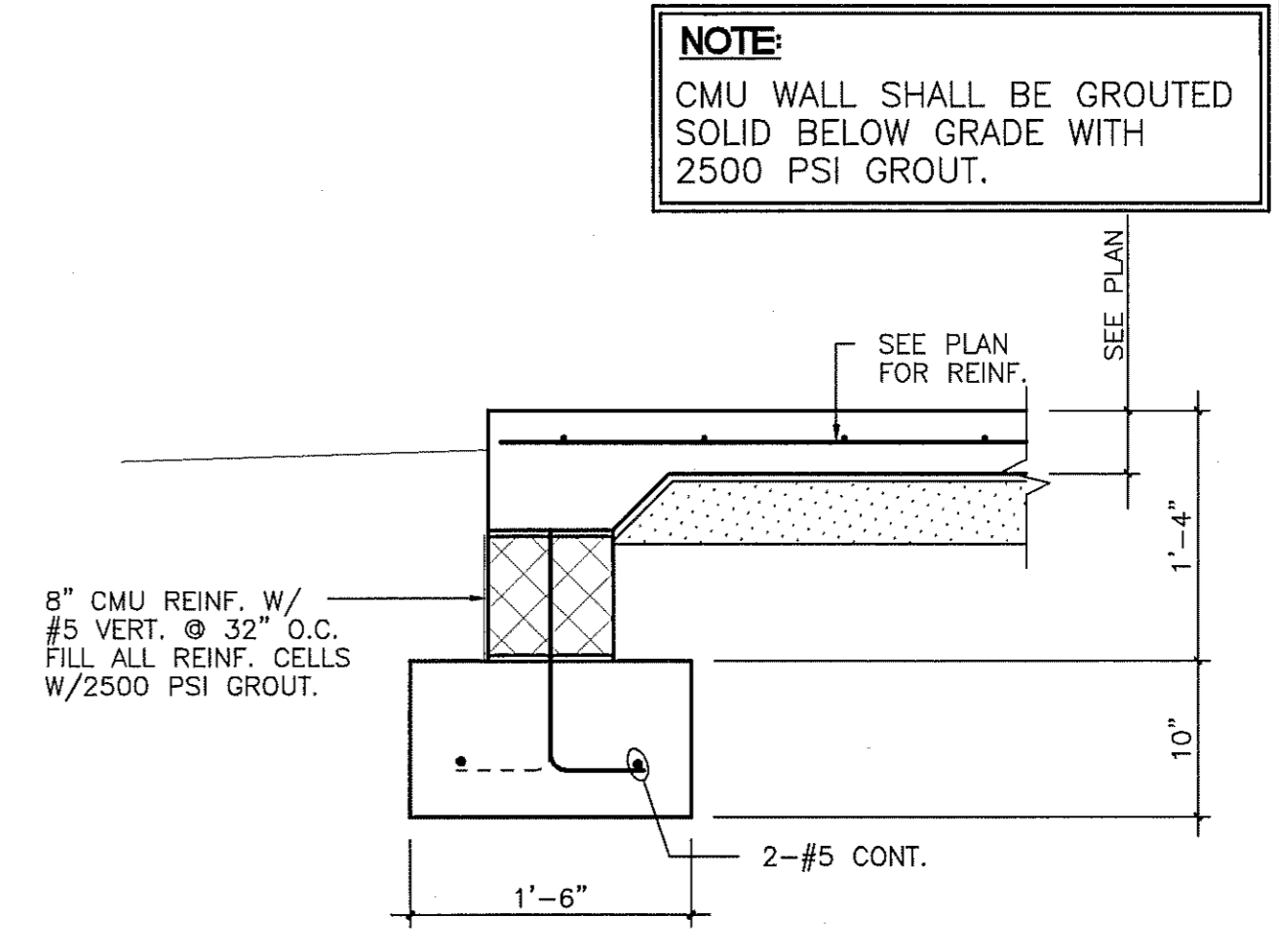
BASE PLATE/ANCHOR BOLTS DETAIL

5



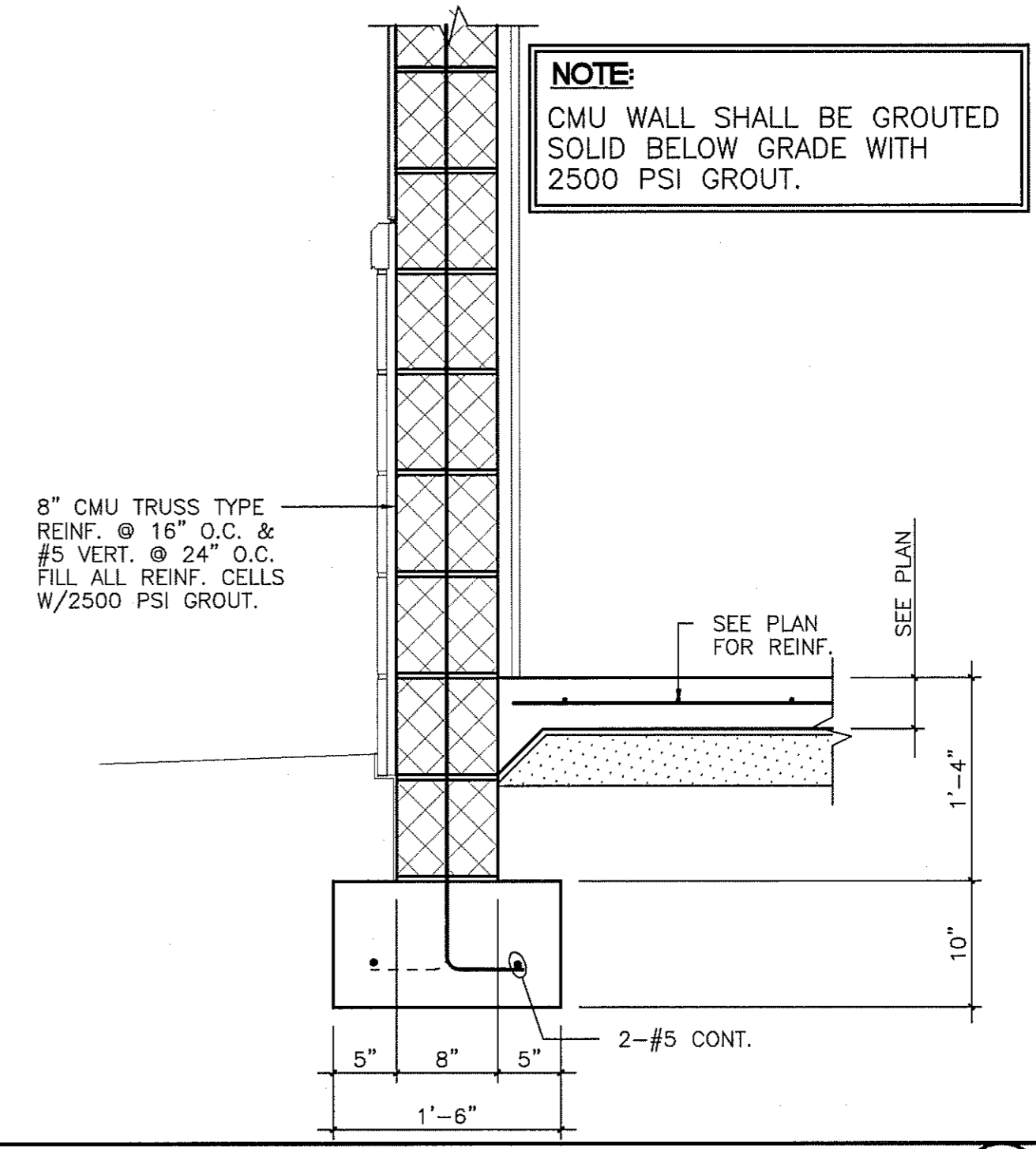
EXTERIOR FOOTING DETAIL

4



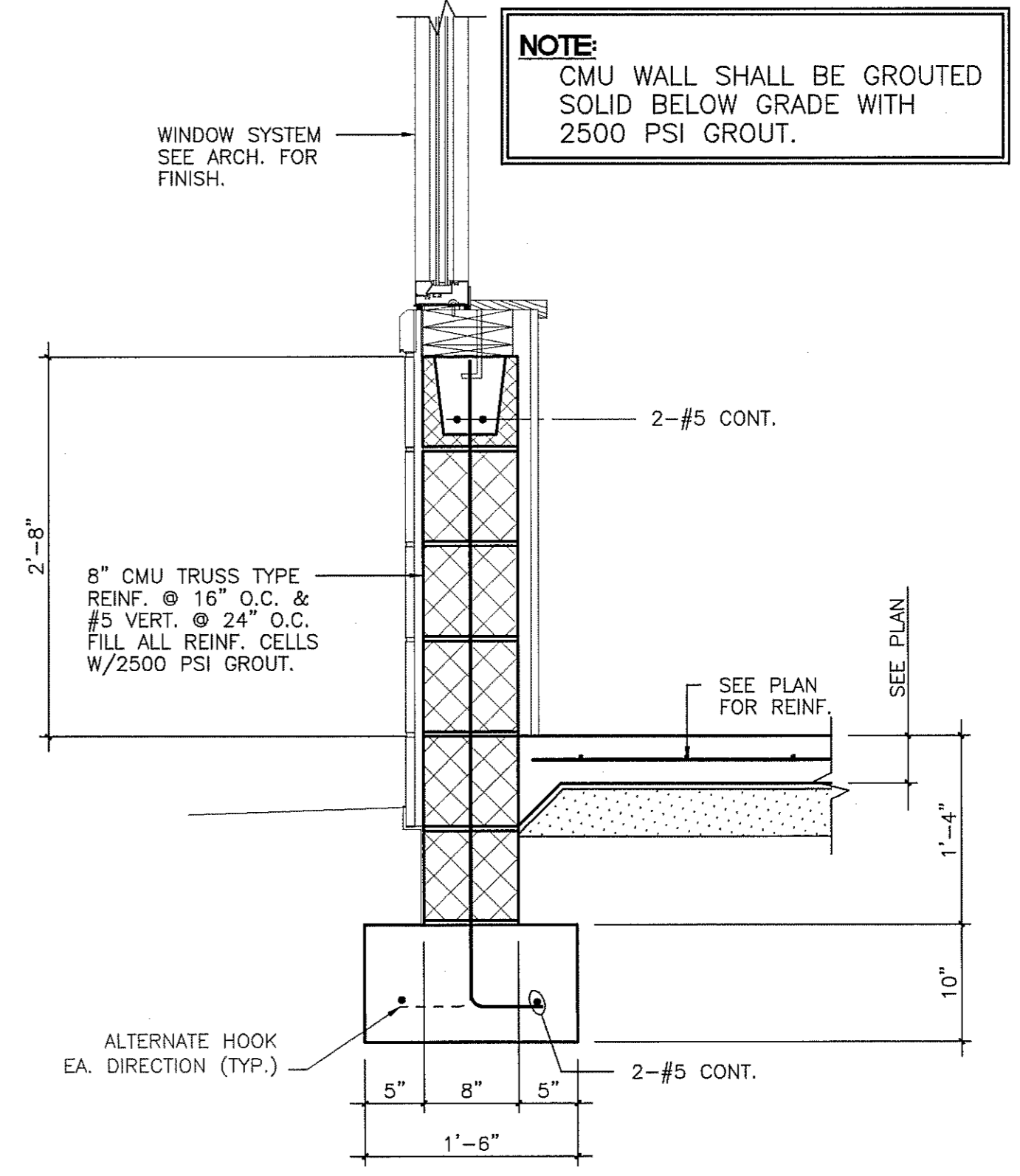
SECTION at FOOTING

3



WALL SECTION

2



WALL SECTION

1



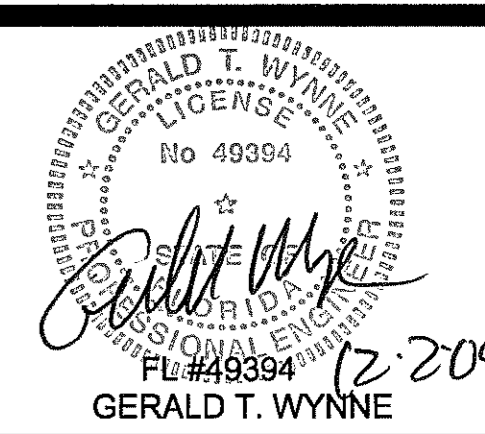
ARCHITECTURE
PLANNING
INTERIOR DESIGN

2425 WEST LOOP SOUTH
SUITE 665
HOUSTON TEXAS 77027
FAX 713-552-9810
713-552-0707
WWW.MGARCHITECTS.COM

CONSULTANTS

STRUCTURAL ENGINEER:
SCA Consulting Engineers
12511 Emily Court
Sugar Land, Texas 77478
C.O.A. #9406

M/E/P ENGINEER:
Henderson Engineers



Aloma Walk Branch
Aloma Ave.
Oviedo, FL 32765

ISSUE:

MARK DATE	DESCRIPTION
10-12-09	PRICING ISSUE
11-23-09	INTERNAL REVIEW
12-02-09	ISSUE FOR PERMIT

PROJECT NO:
09-529.a

FOUNDATION DETAIL

S3.1