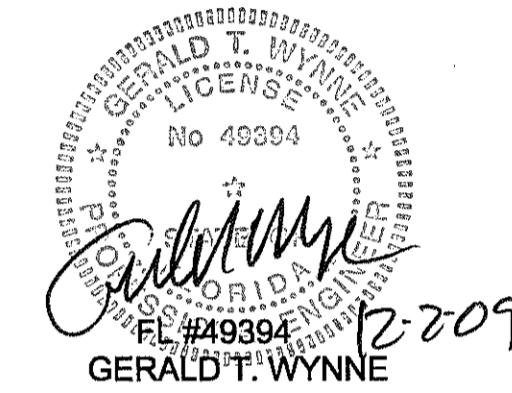


**CONSULTANTS**

**STRUCTURAL ENGINEER:**  
SCA Consulting Engineers  
12511 Emily Court  
Sugar Land, Texas 77478  
C.O.A. #9406

**M/E/P ENGINEER:**  
Henderson Engineers



**Aloma Walk Branch**  
Aloma Ave.  
Oviedo, FL 32765

**ISSUE:**

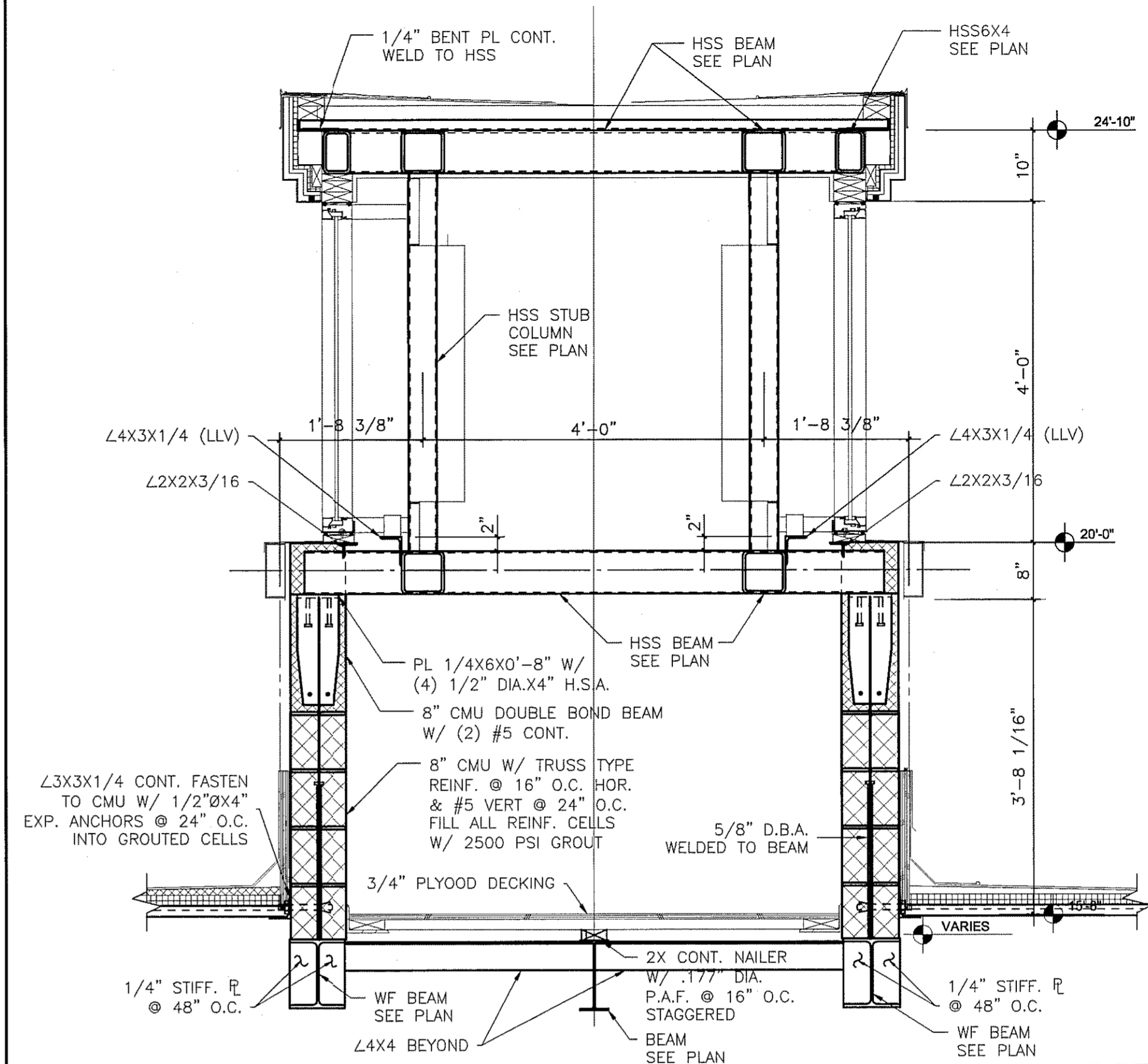
MARK	DATE	DESCRIPTION
10-12-09		PRICING ISSUE
11-23-09		INTERNAL REVIEW
12-02-09		ISSUE FOR PERMIT

**PROJECT NO.:**

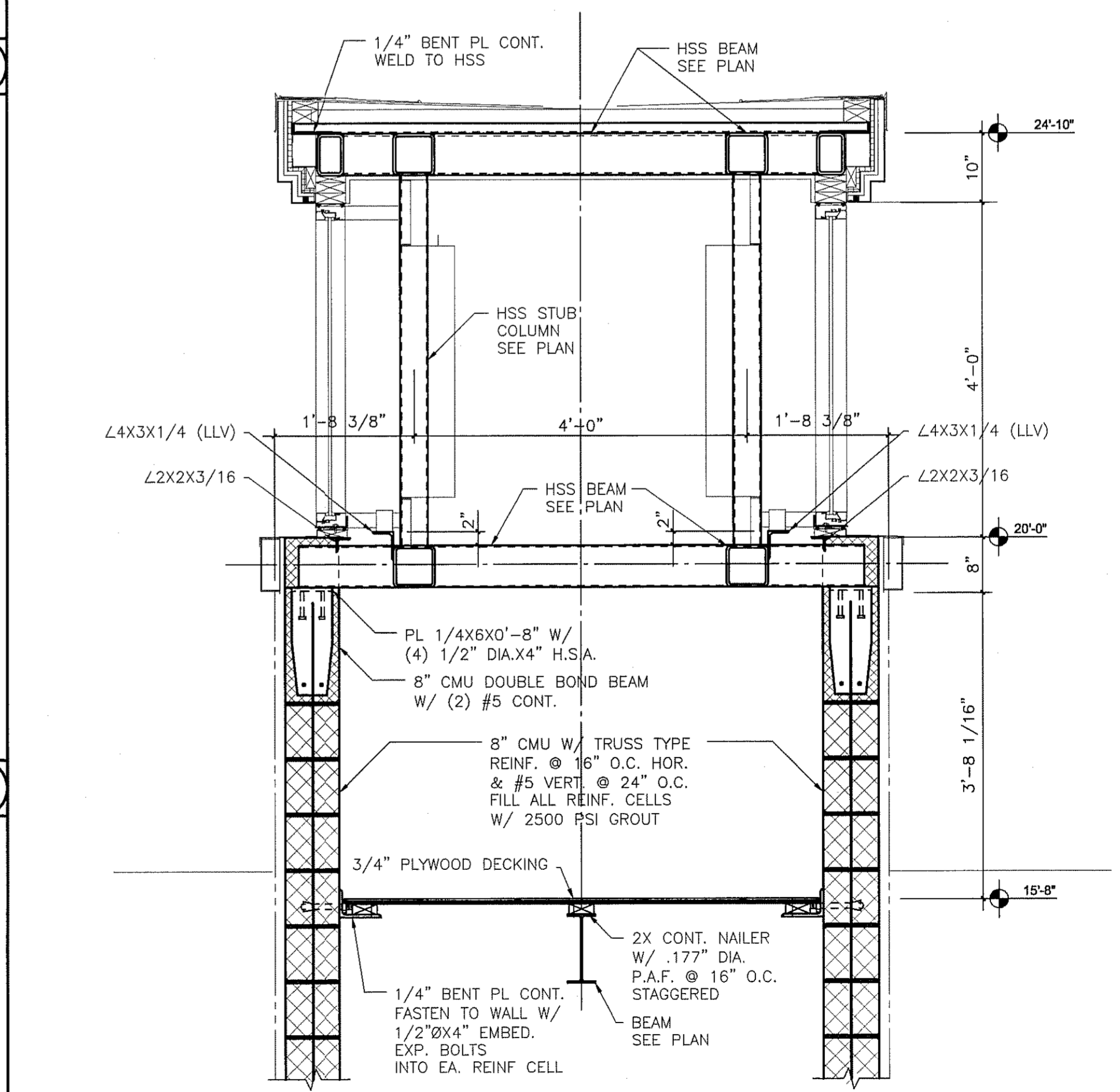
**09-529.a**

**ROOF FRAMING DETAIL**

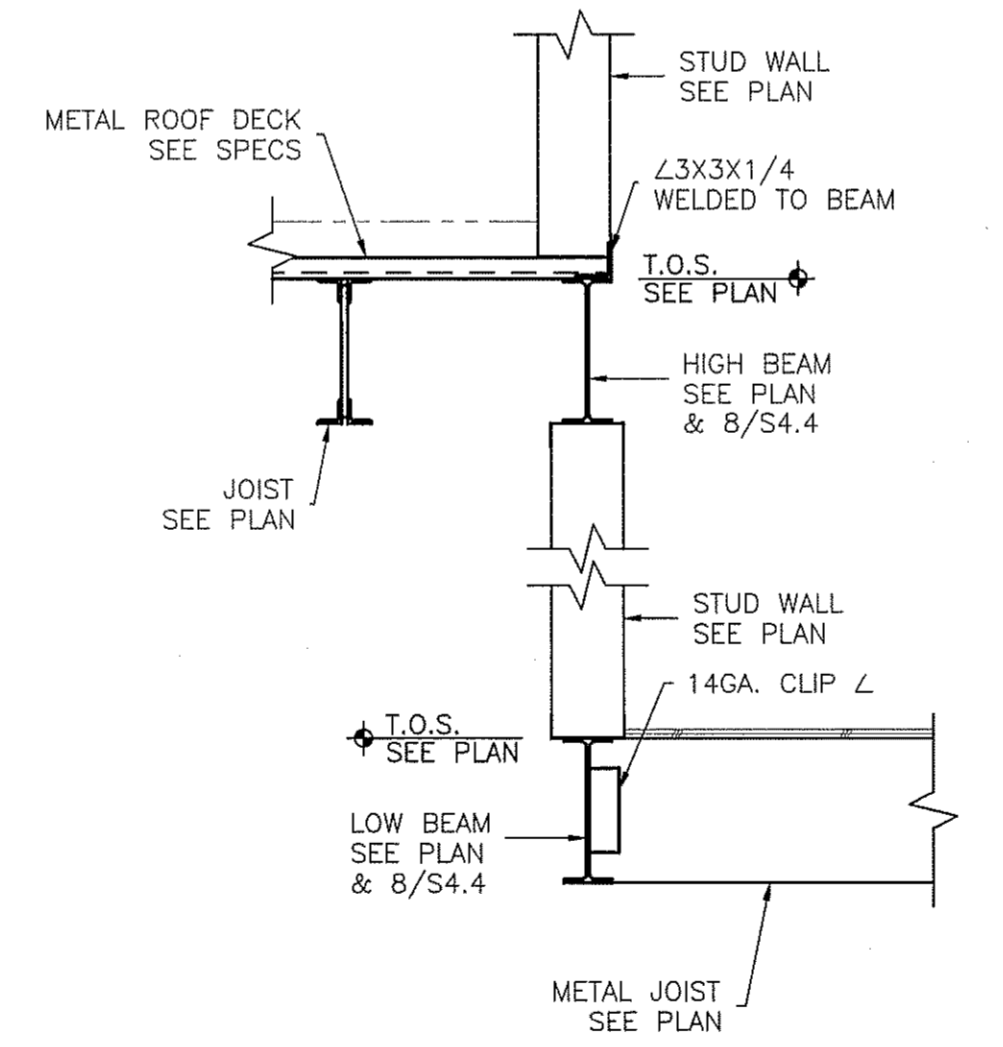
**S4.4**



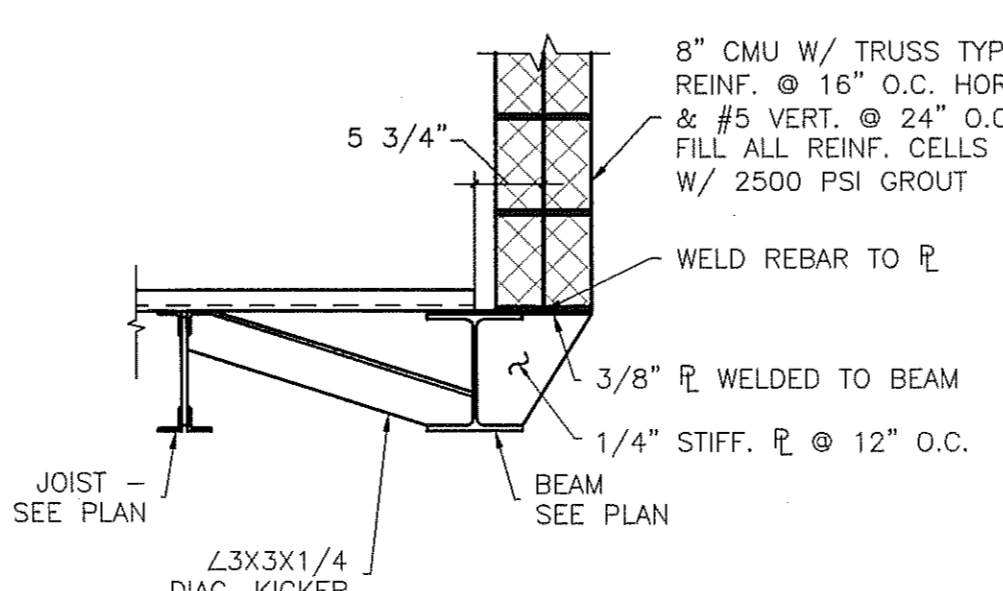
**SECTION at CLOCK TOWER (2)**



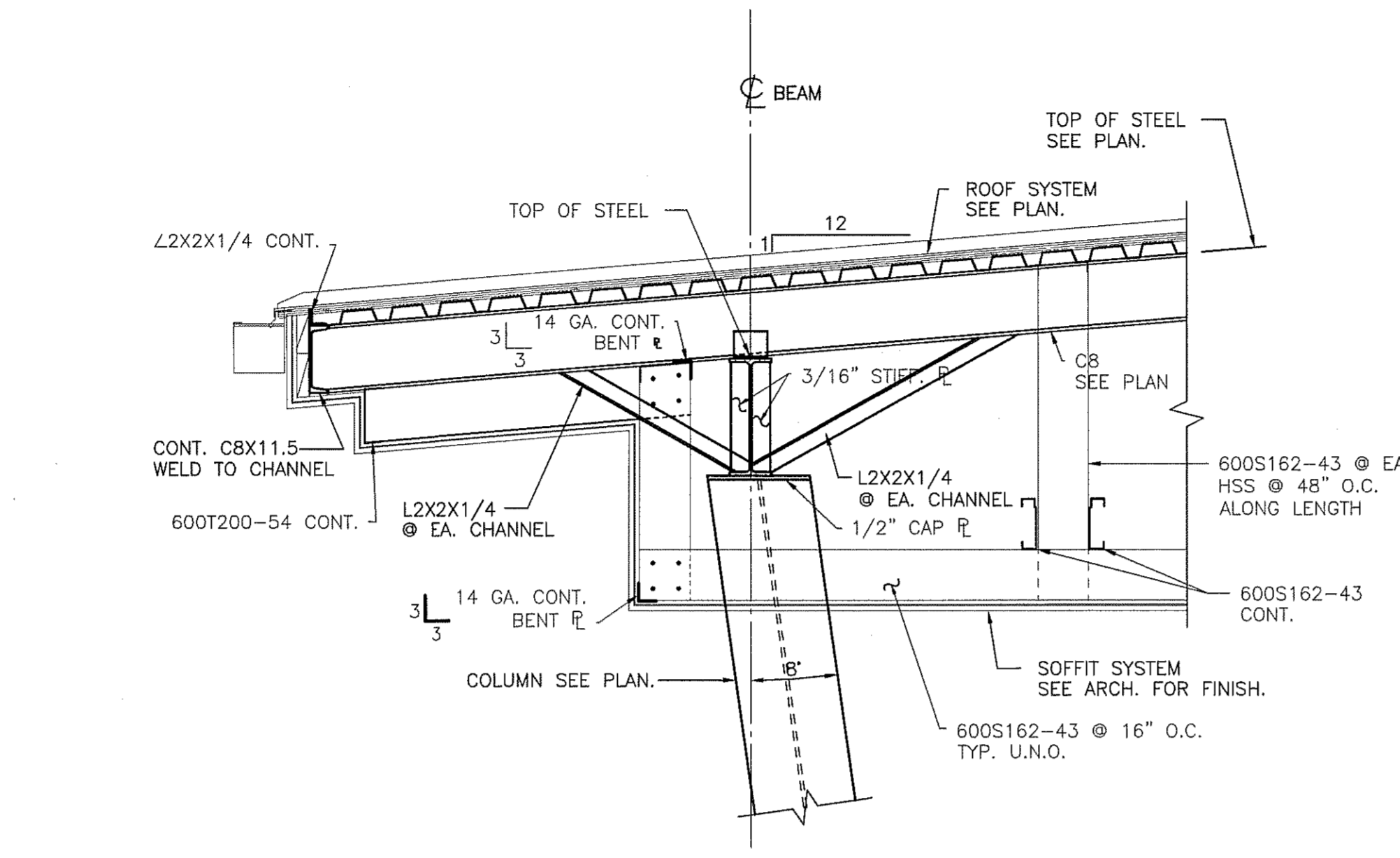
**SECTION at CLOCK TOWER (1)**



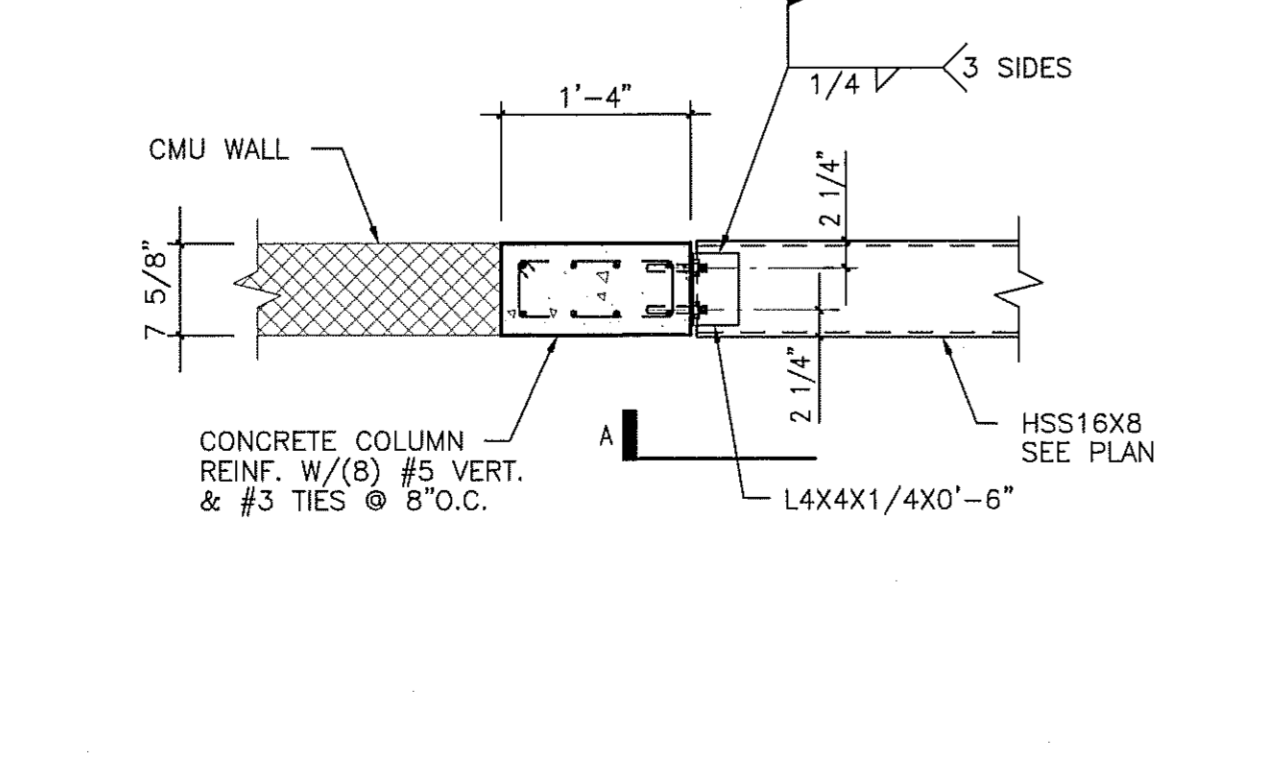
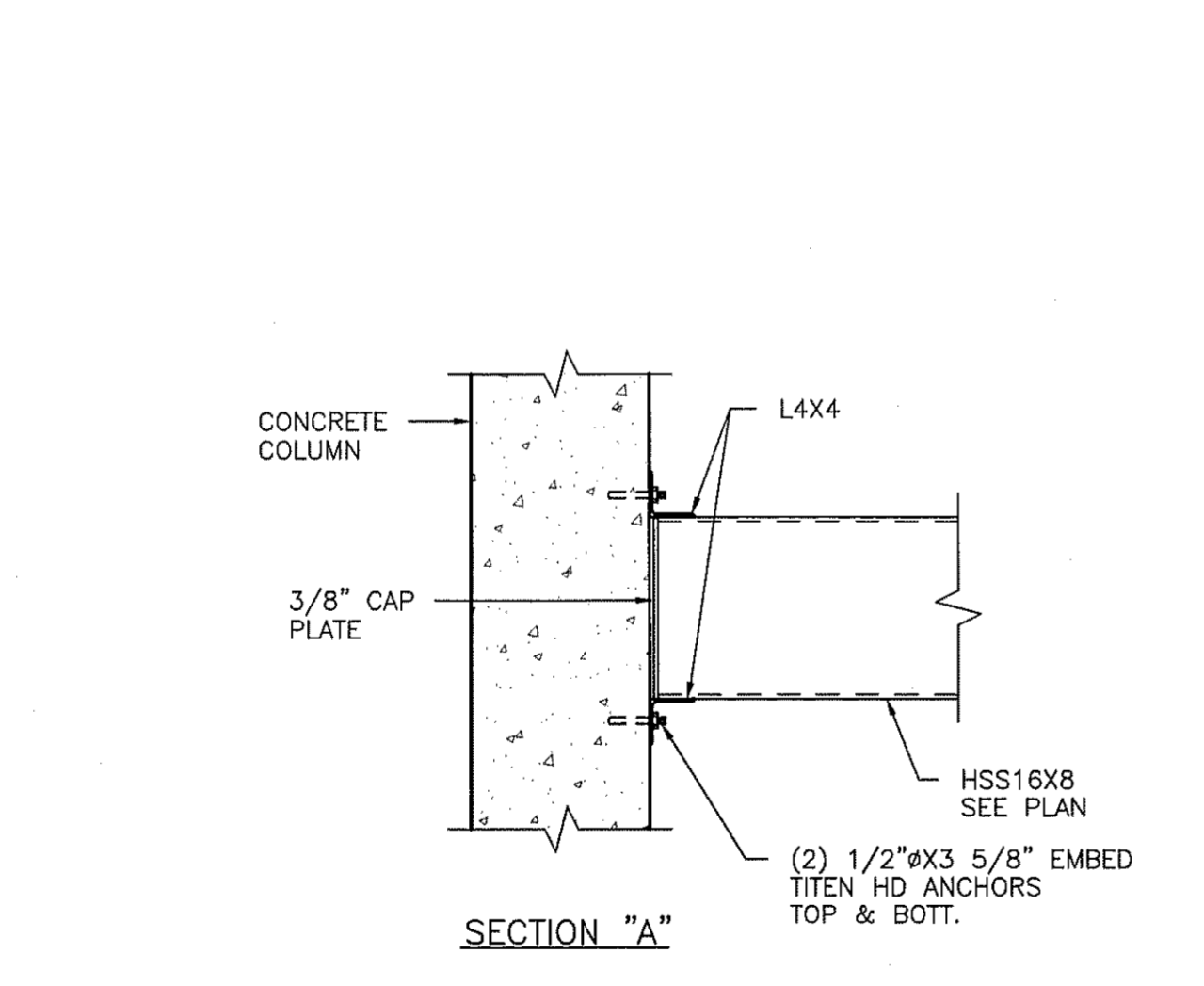
**SECTION at HI/LO BEAM (4)**



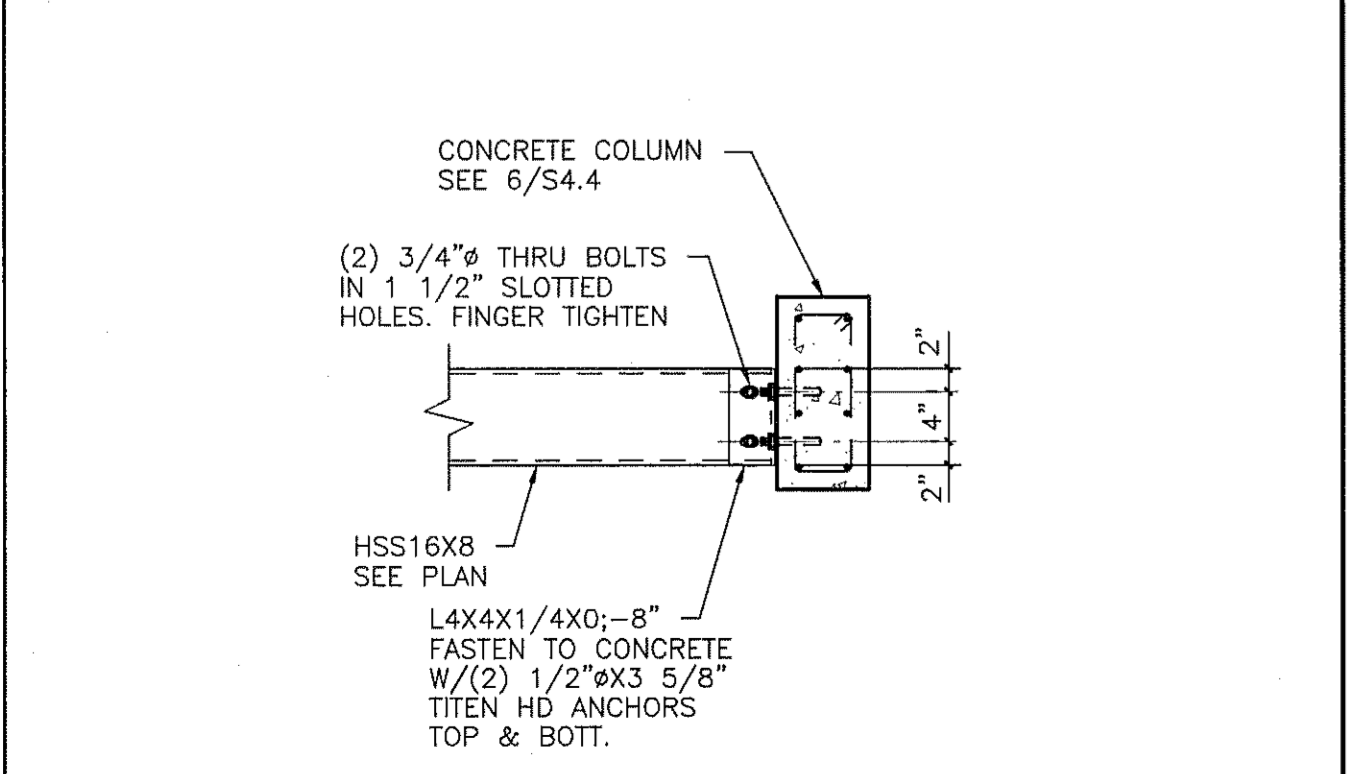
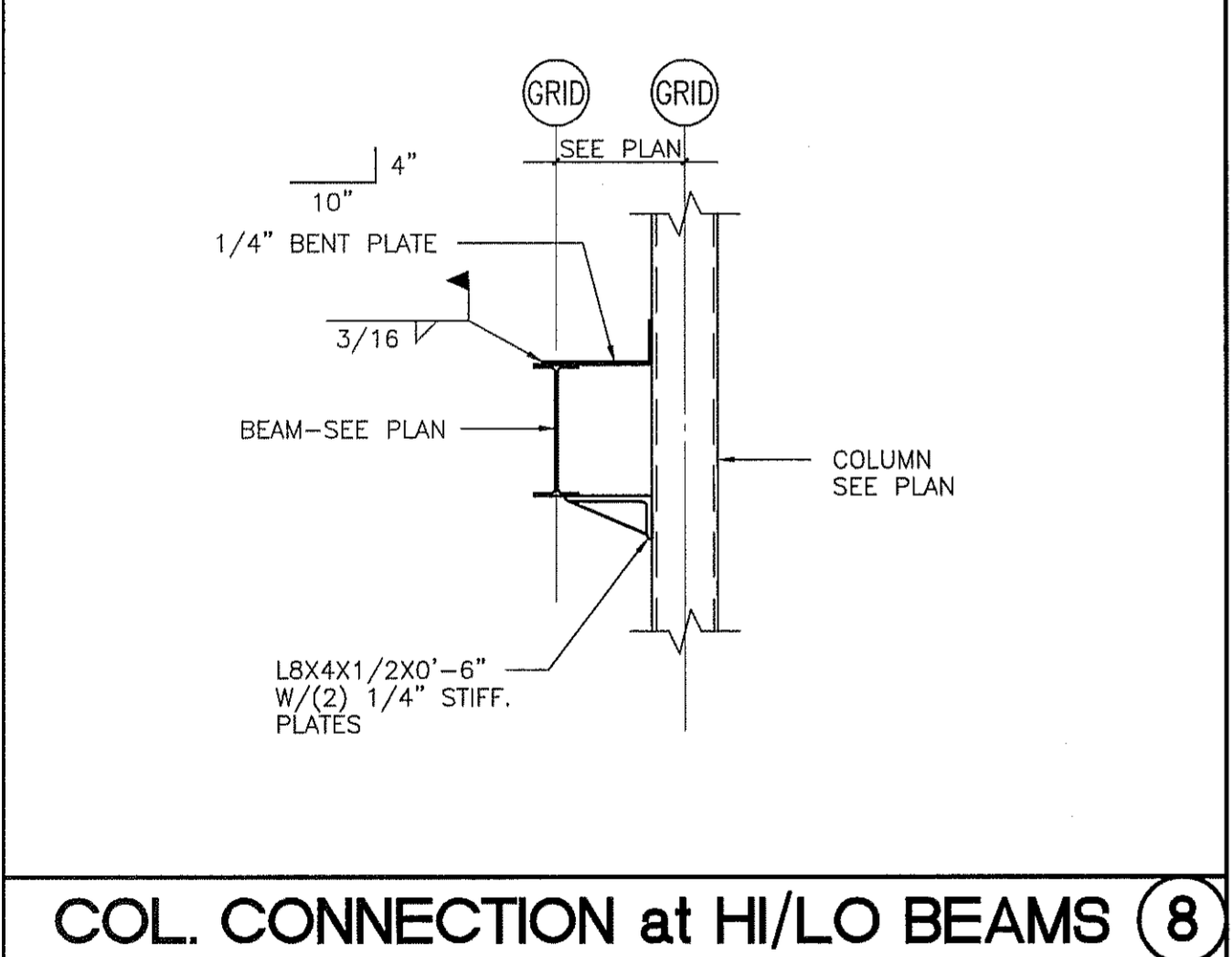
**SECTION at HI/LO BEAM (3)**



**SECTION at MOTOR BANK (5)**



**SECTION at MOTOR BANK (6)**



**COL. CONNECTION at HI/LO BEAMS (8)**