



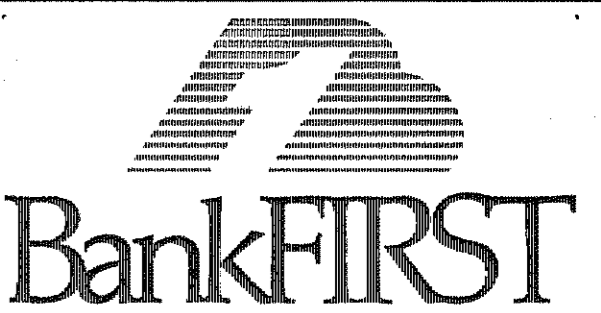
ARCHITECTURE
PLANNING
INTERIOR DESIGN

2425 WEST LOOP SOUTH
SUITE 665
HOUSTON TEXAS 77027
FAX 713-552-9810
713-552-0707
WWW.MGARCHITECTS.COM

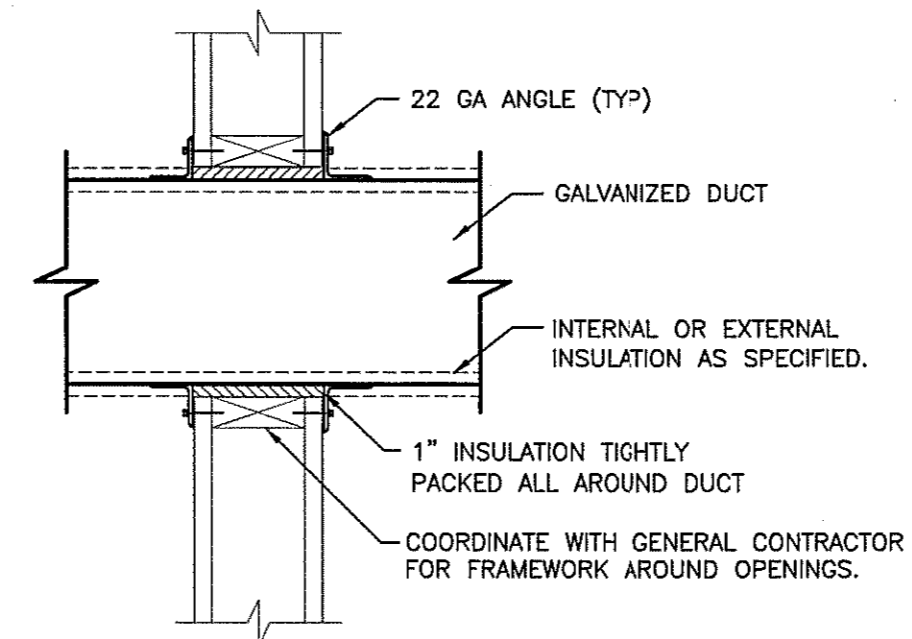
CONSULTANTS

STRUCTURAL ENGINEER:
SCA Consulting Engineers

M/E/P/ ENGINEER:
Henderson Engineers

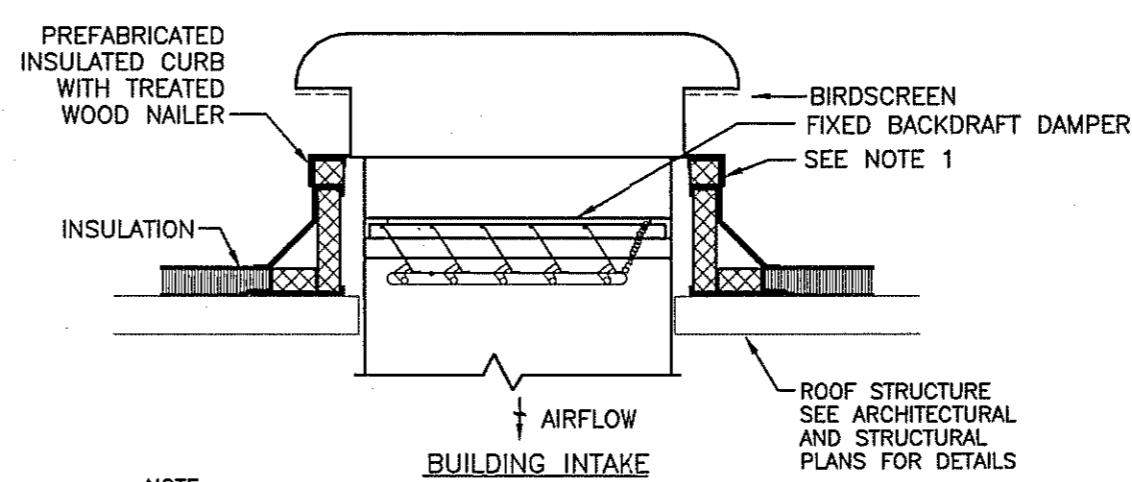
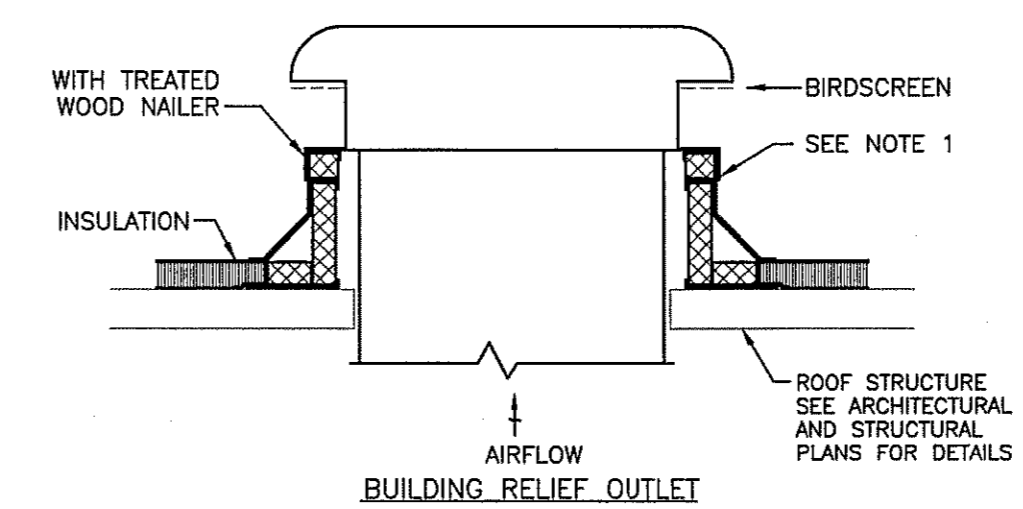


Aloma Walk Branch
Aloma Ave.
Oviedo, FL 32765



NOTES:
1. DRYWALL, METAL STUDS OR ANY OTHER RIGID MATERIAL MUST NOT TOUCH DUCT.
2. SUPPORT DUCT FROM HANGERS.

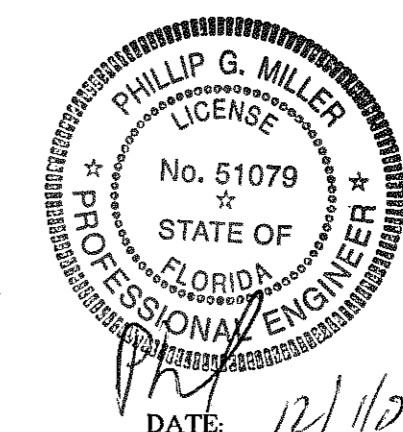
2 METAL DUCT NON-FIRE RATED WALL PENETRATION
NO SCALE



NOTE:
1. SECURE ROOF HOOD TO GALVANIZED CURB, SEAL CONNECTION WEATHER TIGHT.

1 BUILDING INTAKE HOODS WITH BACK DRAFT DAMPERS
NO SCALE

PROFESSIONAL ENGINEER
Phillip G. Miller
FL PE# -
51079



DATE: 12/1/09



10370 RICHMOND AVENUE, SUITE 370
HOUSTON, TX 77042
TEL 713 783 7767 FAX 713 783 7797
www.hel-eng.com
095000686
FL CORPORATE NUMBER: EB 7606
EXPIRES 02/28/11

ISSUE:

MARK	DATE	DESCRIPTION
	09-15-09	DEVELOPER REVIEW
	11-16-09	ISSUE FOR PERMIT
	12-02-09	ISSUE FOR PERMIT

PROJECT NO:

09-529.a

MECHANICAL DETAILS

M-502