



ARCHITECTURE
PLANNING
INTERIOR DESIGN

2425 WEST LOOP SOUTH
SUITE 665
HOUSTON TEXAS 77027
FAX 713-552-9810
713-552-0707
WWW.MGARCHITECTS.COM

CONSULTANTS

STRUCTURAL ENGINEER:
SCA Consulting Engineers

M/E/P ENGINEER:
Henderson Engineers

David Miller
03-17-2010



Aloma Walk Branch
Aloma Ave.
Oviedo, FL 32765

ISSUE:

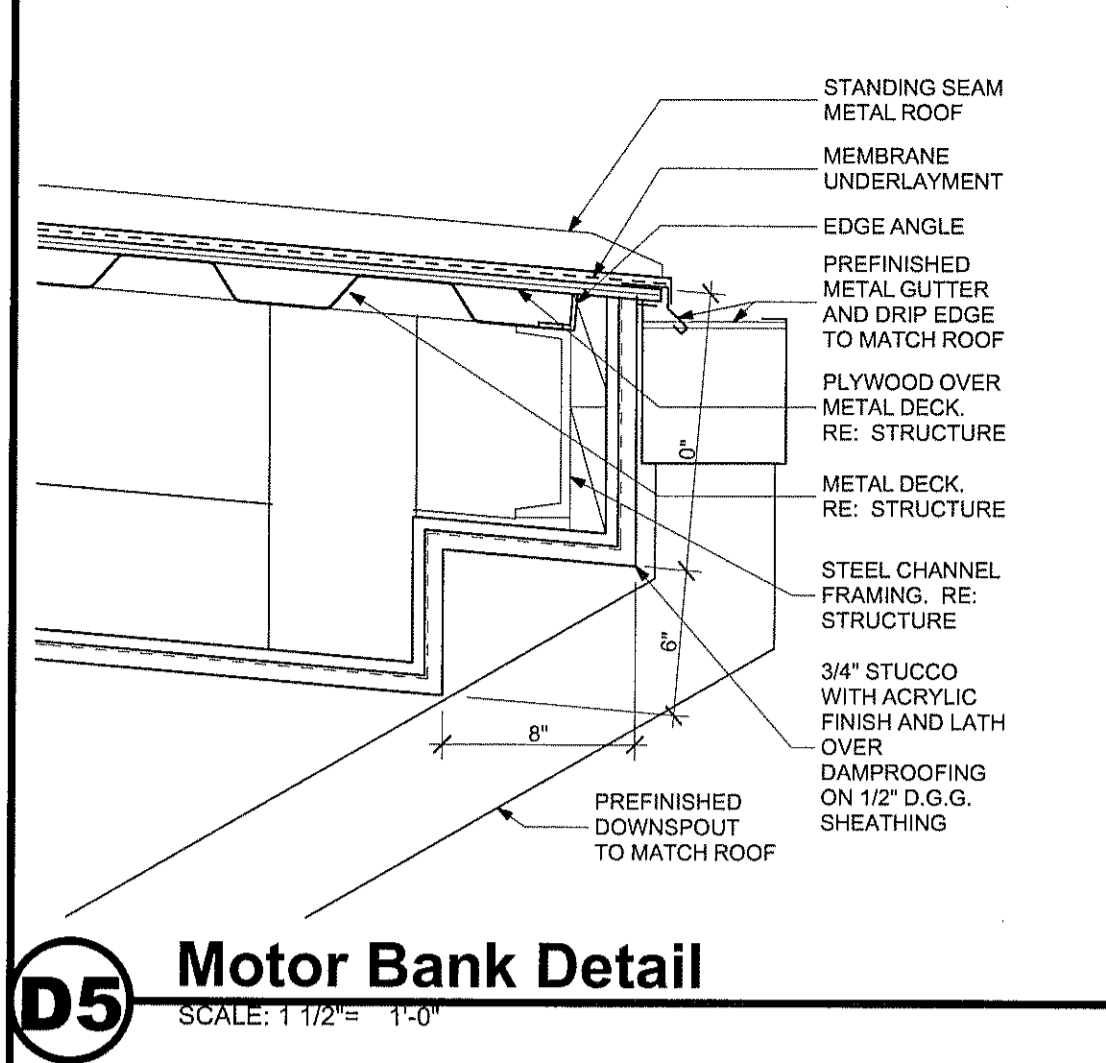
MARK	DATE	DESCRIPTION
08-19-09		D.D. REVIEW
09-15-09		DEVELOPER REVIEW
10-12-09		PRICING

12-02-09	BUILDING PERMIT
03/17/10	ASI 2 - BUILDING REVISIONS

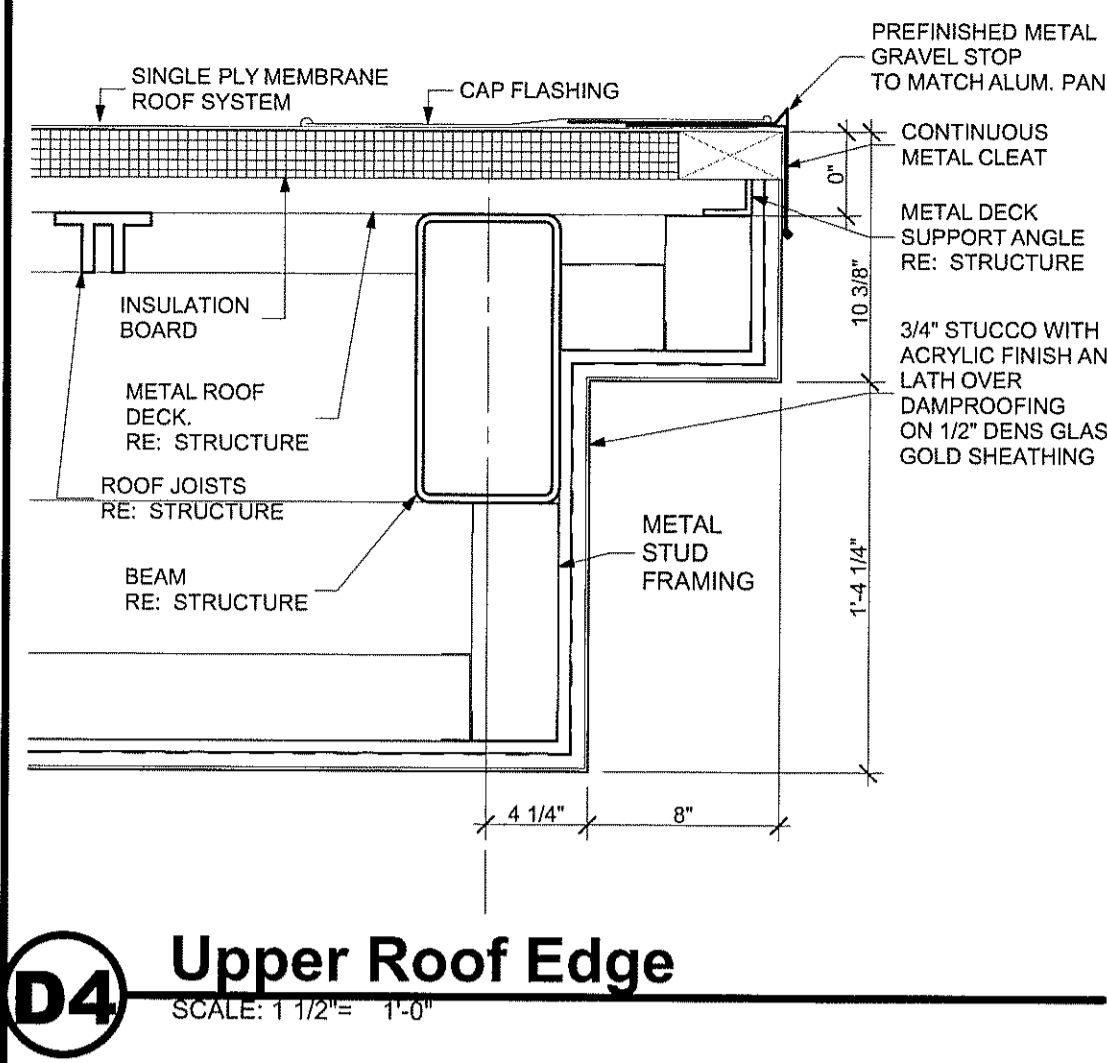
PROJECT NO:
09-529.a

BUILDING DETAILS

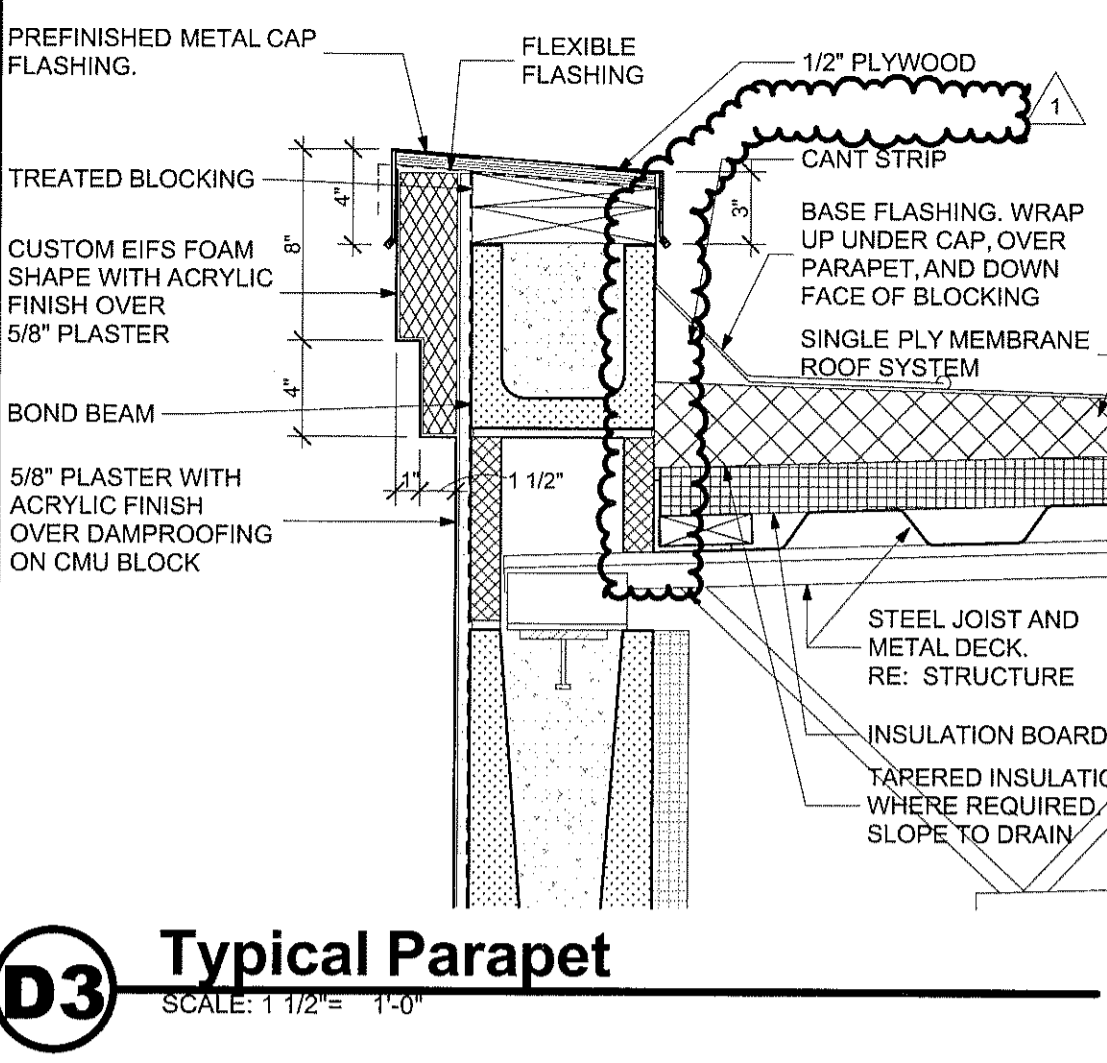
A-515



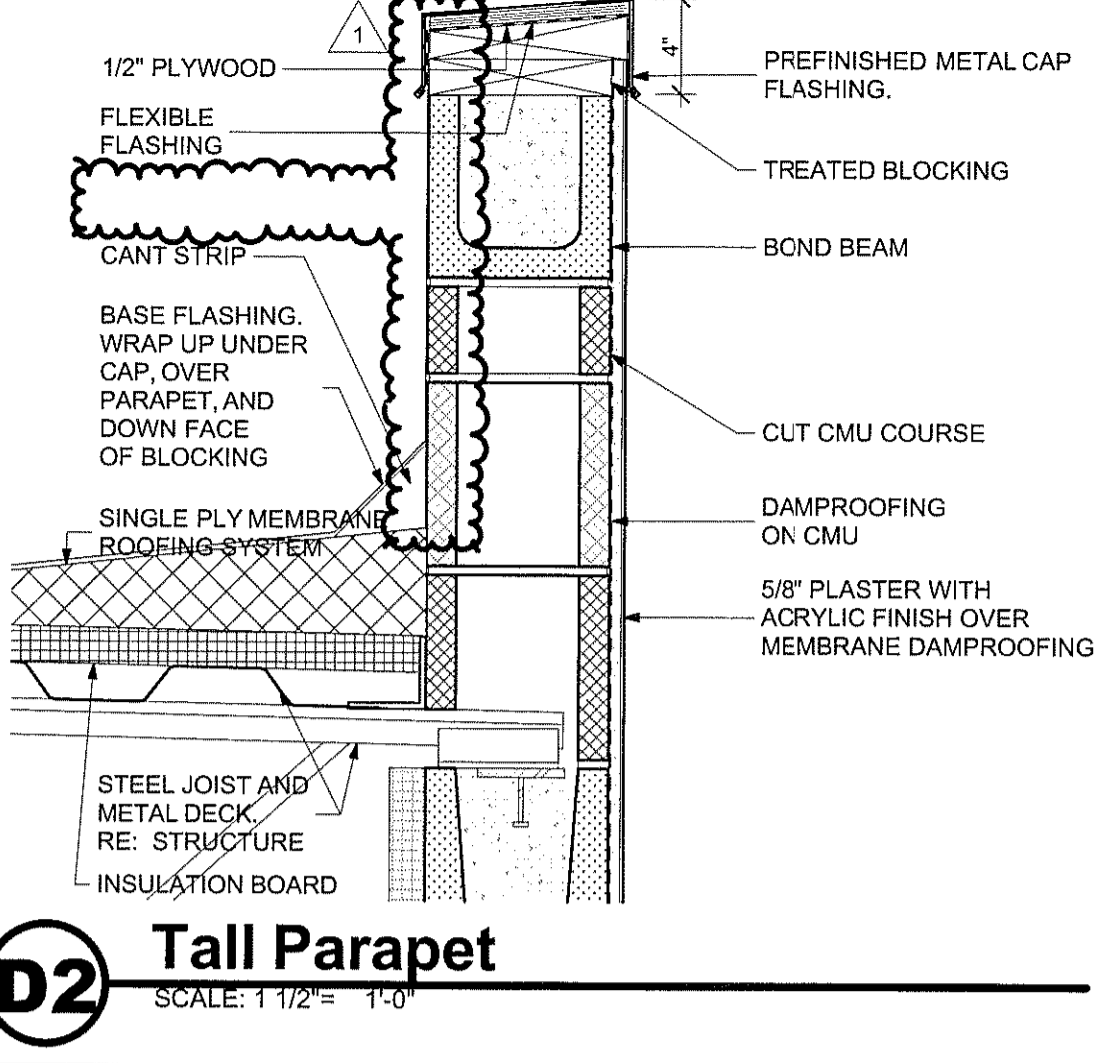
D5 Motor Bank Detail
SCALE: 1 1/2" = 1'-0"



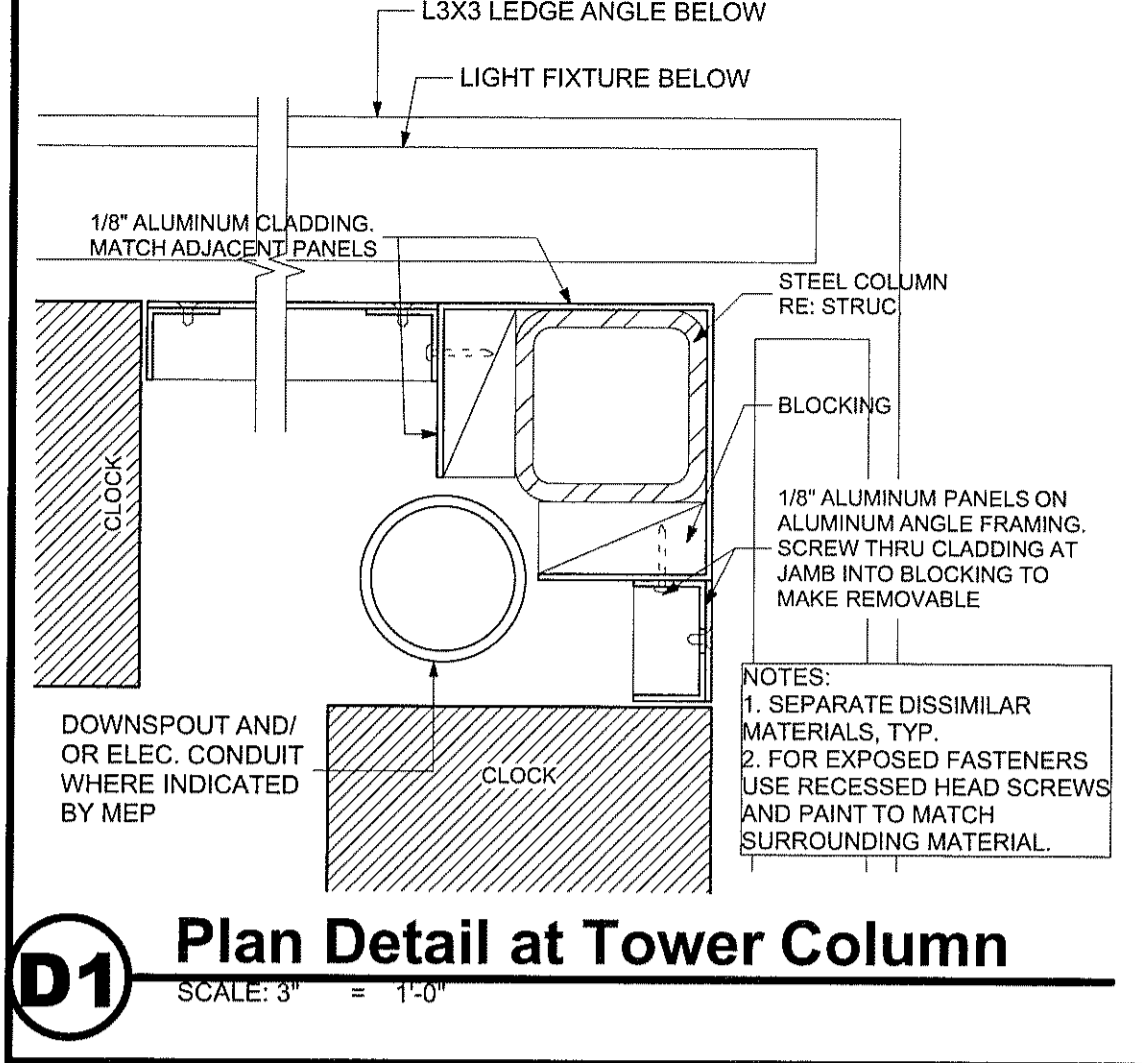
D4 Upper Roof Edge
SCALE: 1 1/2" = 1'-0"



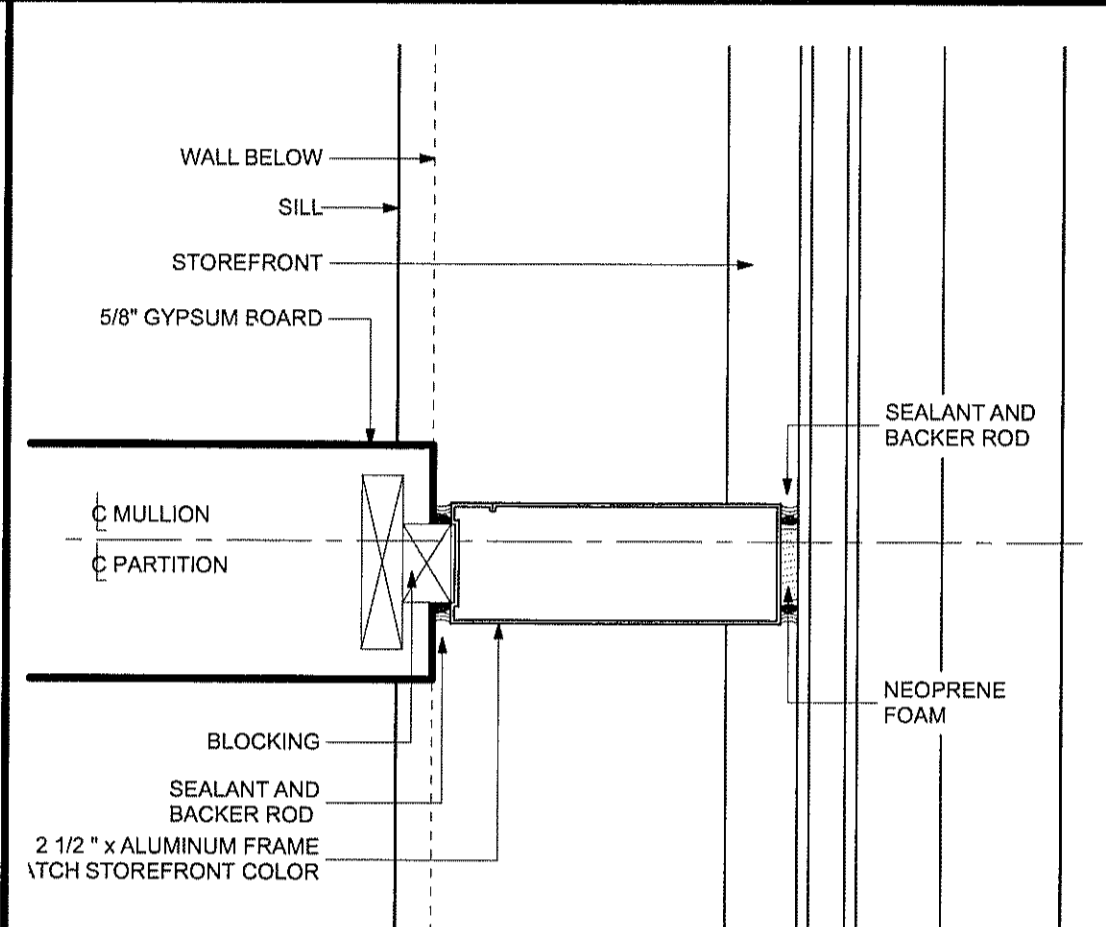
D3 Typical Parapet
SCALE: 1 1/2" = 1'-0"



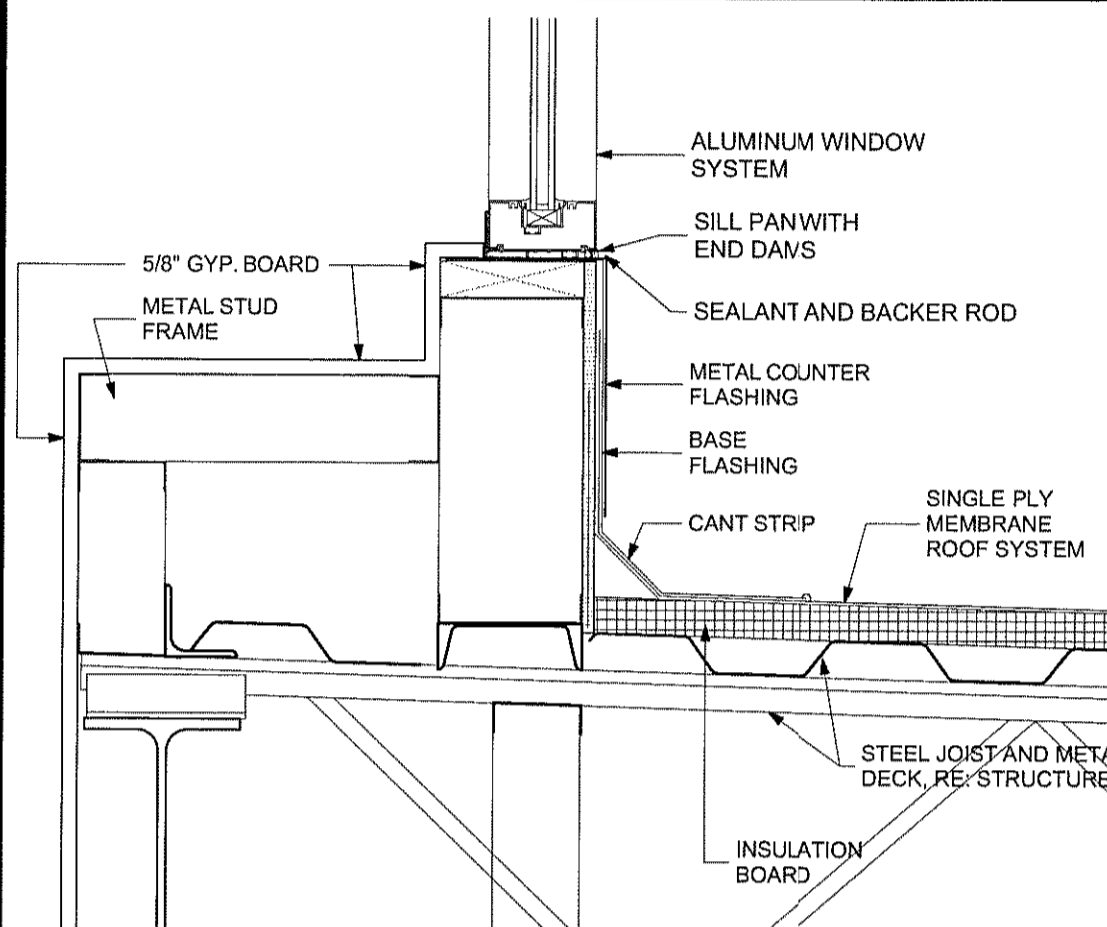
D2 Tail Parapet
SCALE: 1 1/2" = 1'-0"



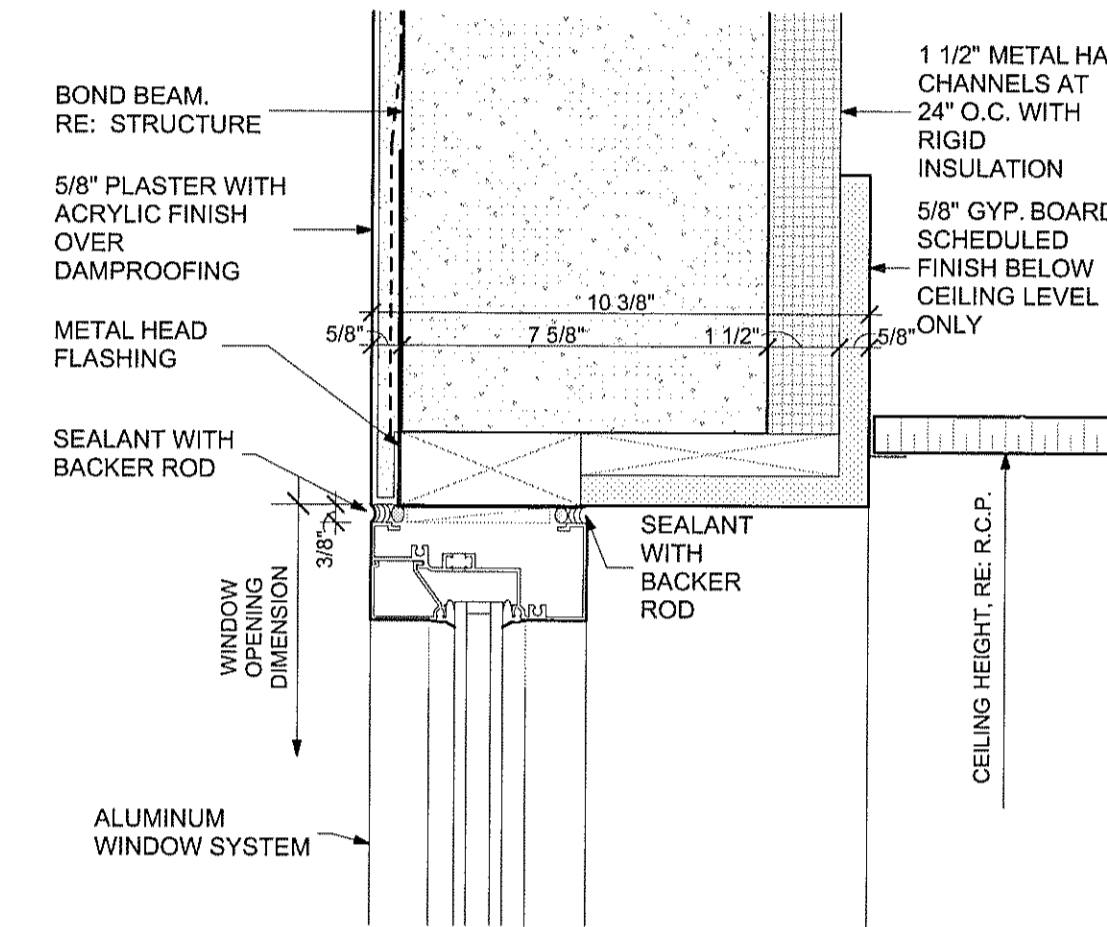
D1 Plan Detail at Tower Column
SCALE: 3" = 1'-0"



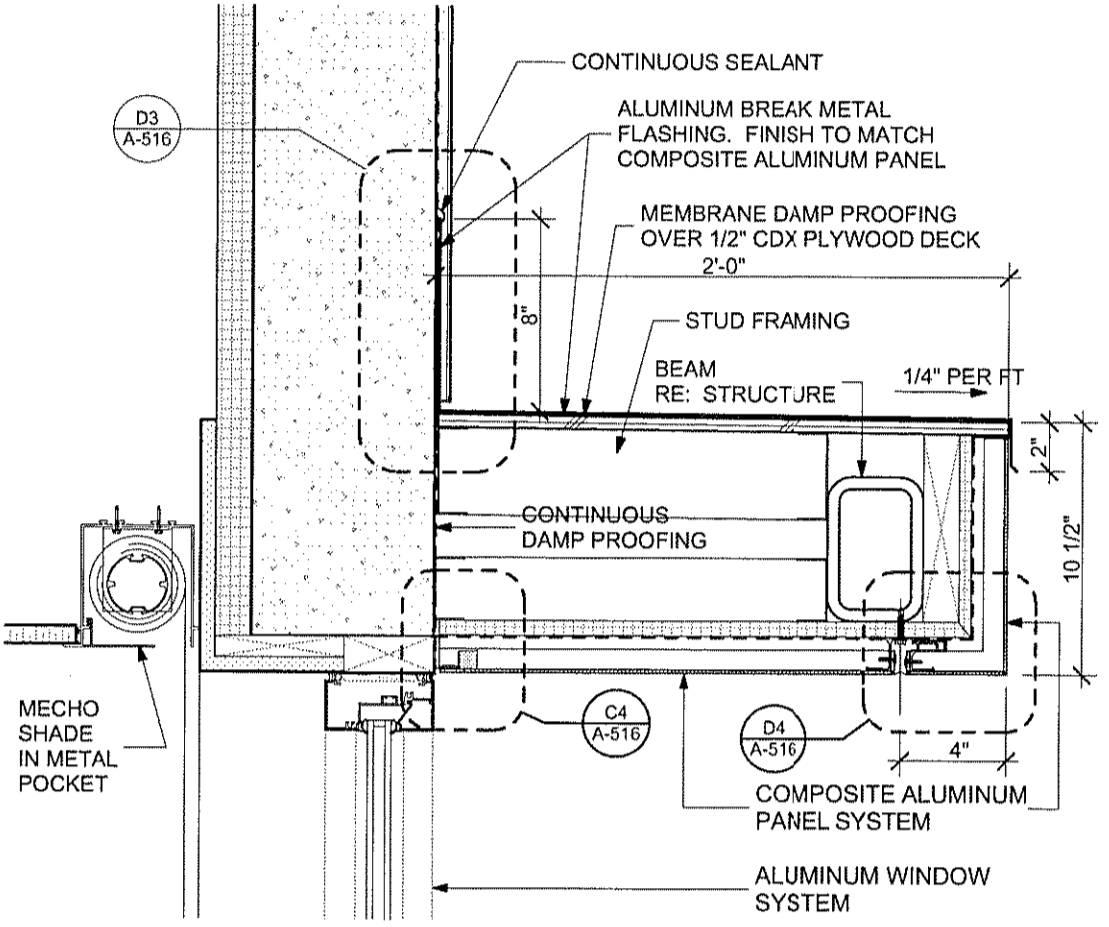
C5 Window Detail
SCALE: 3" = 1'-0"



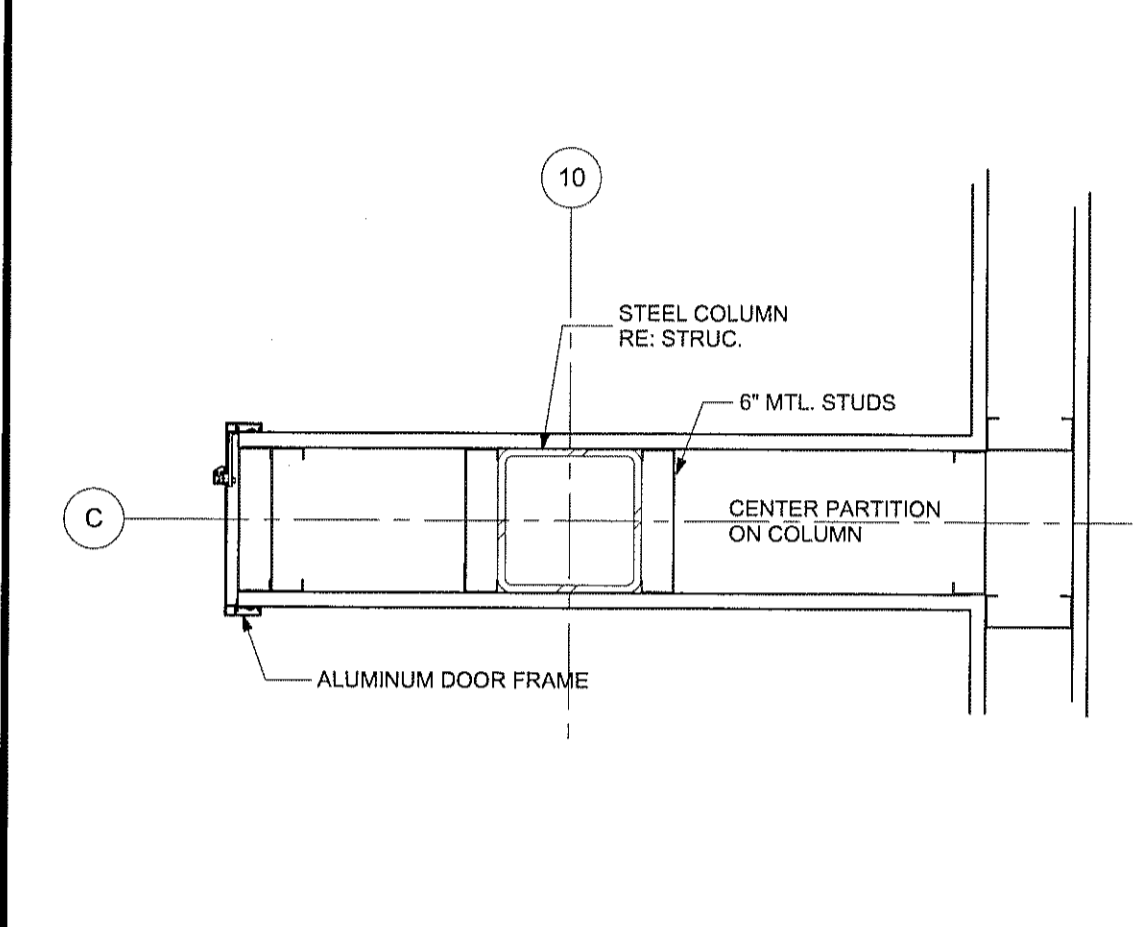
C4 Roof to Wall
SCALE: 1 1/2" = 1'-0"



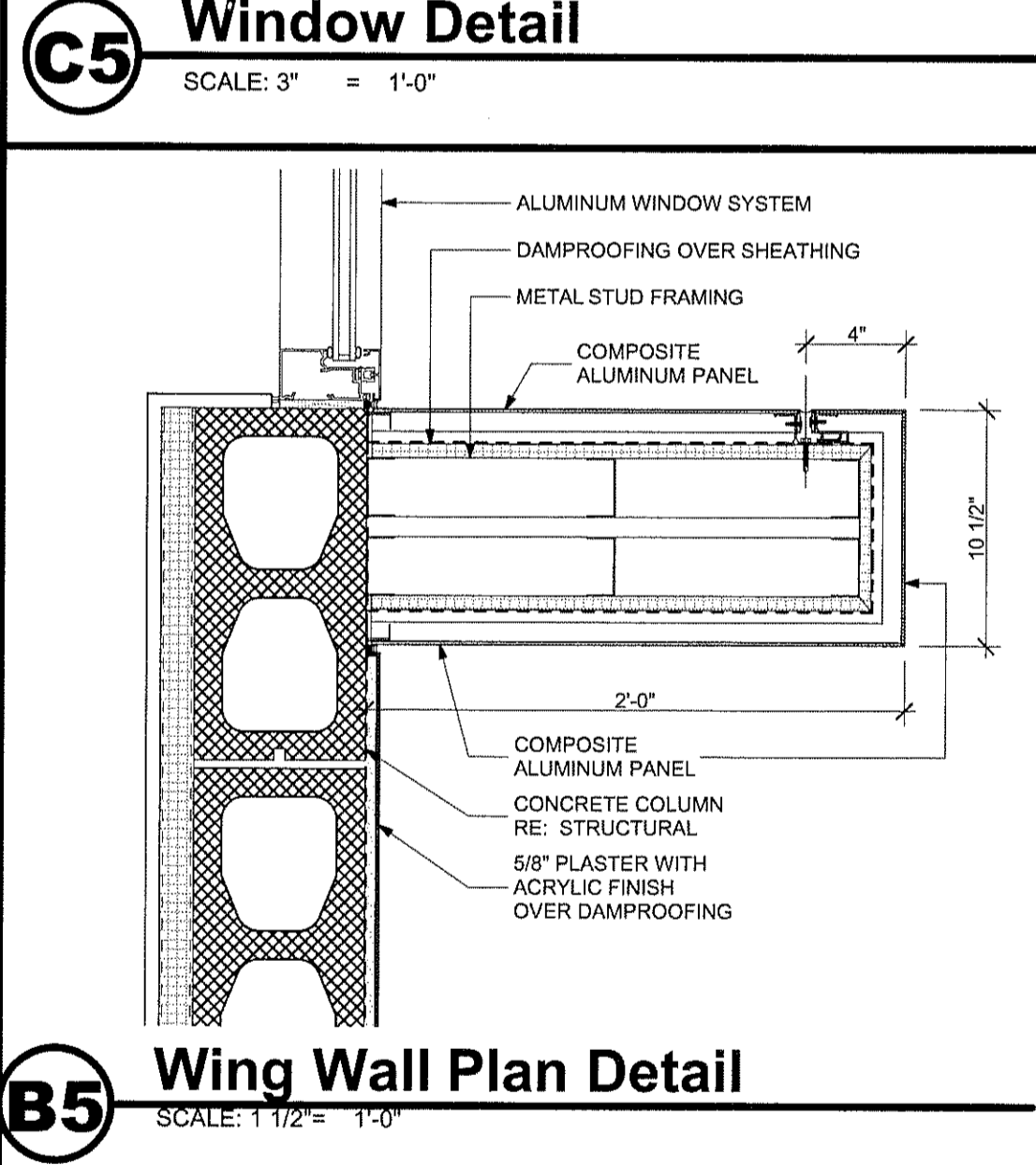
C3 Window Head
SCALE: 3" = 1'-0"



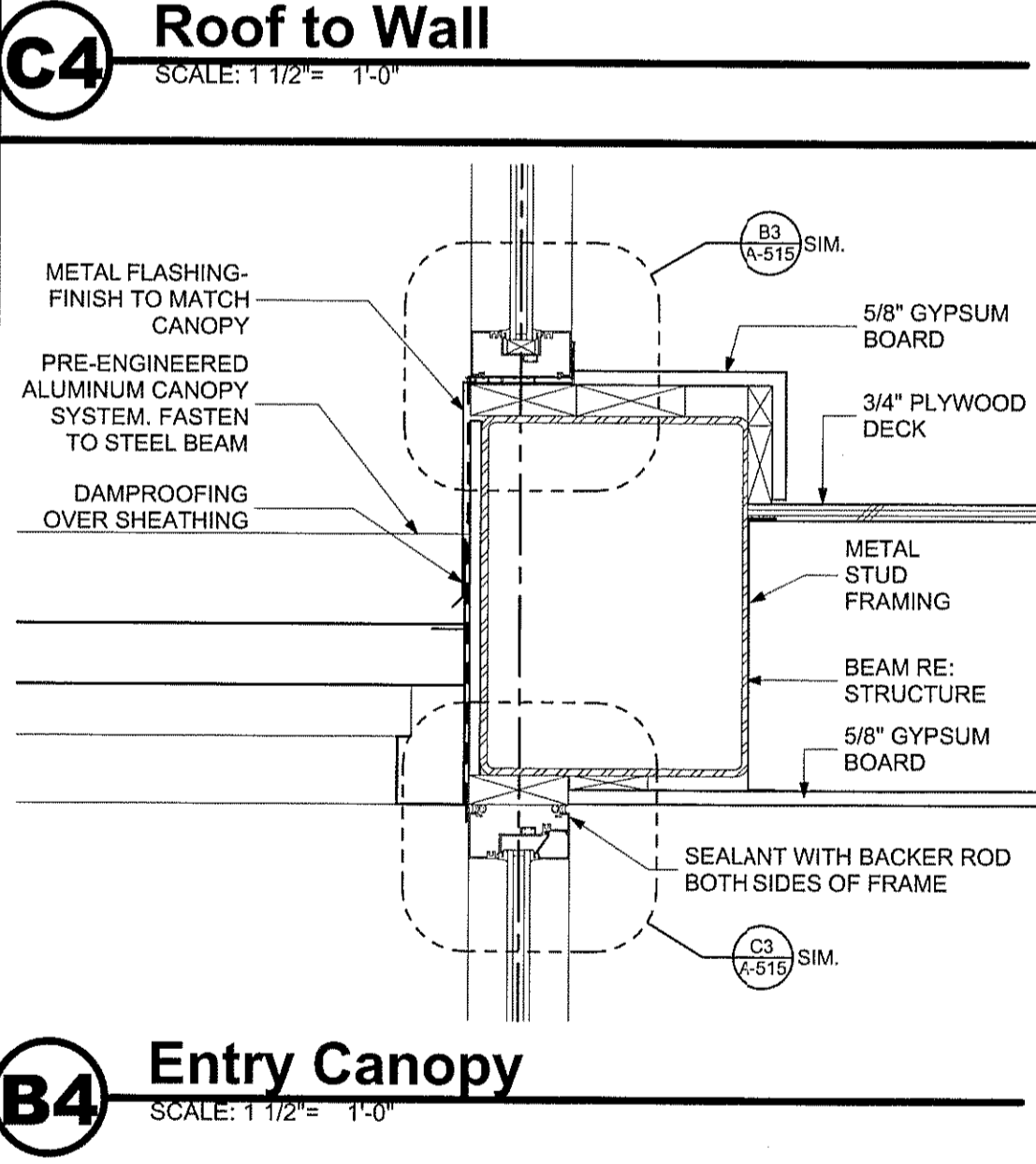
C2 Eyebrow Canopy
SCALE: 1 1/2" = 1'-0"



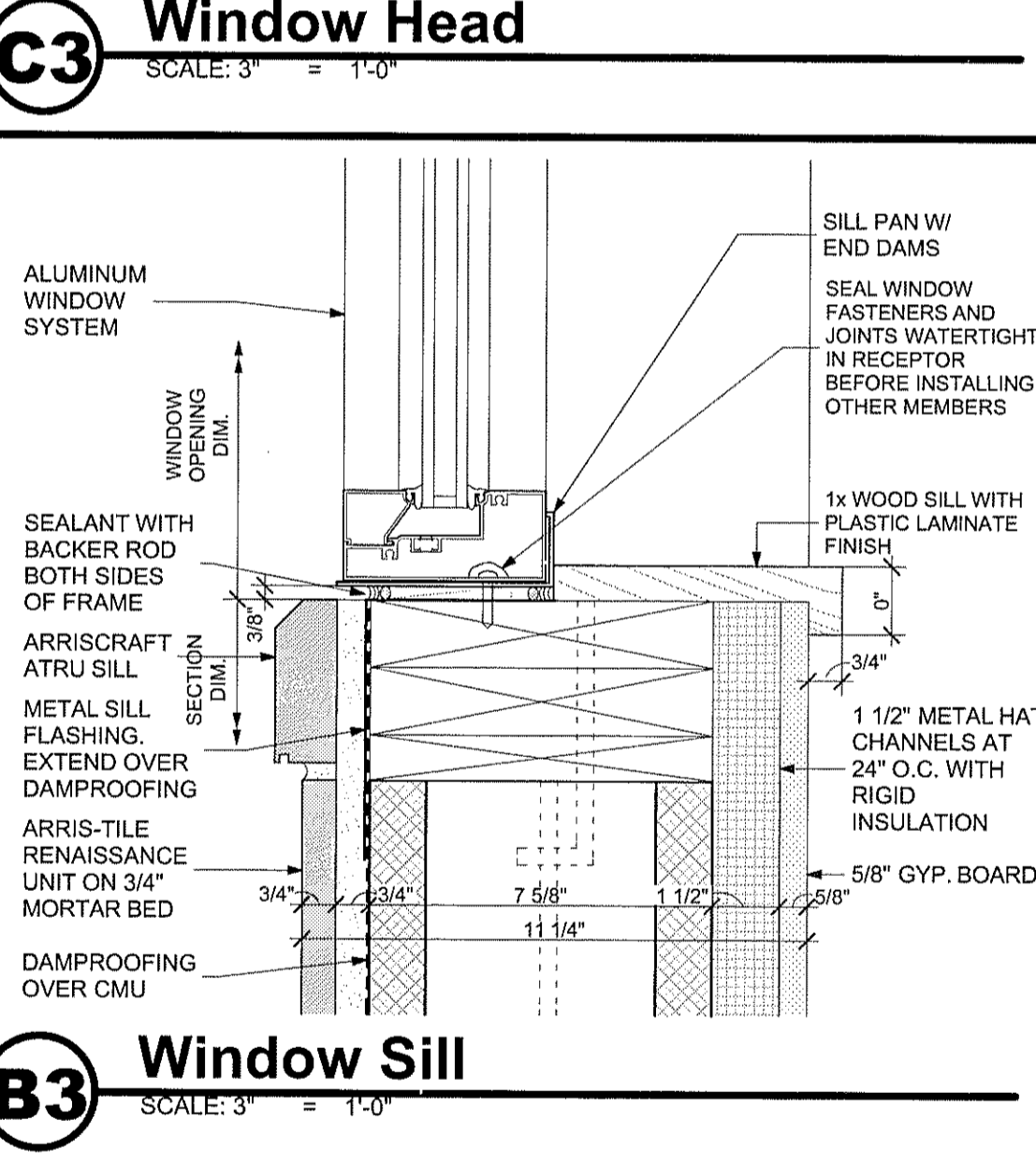
C1 Plan Detail at Column 10-C
SCALE: 1 1/2" = 1'-0"



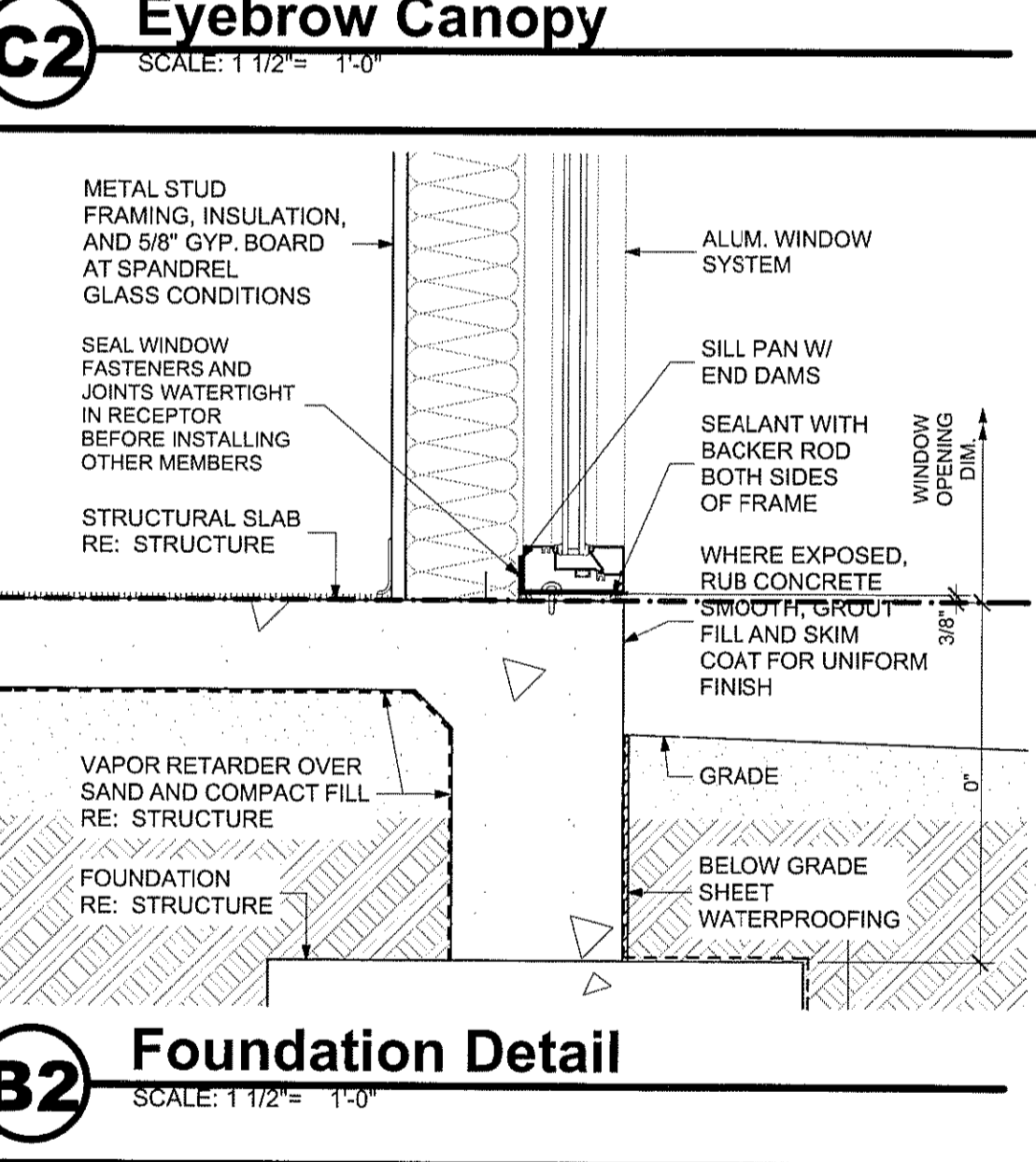
B5 Wing Wall Plan Detail
SCALE: 1 1/2" = 1'-0"



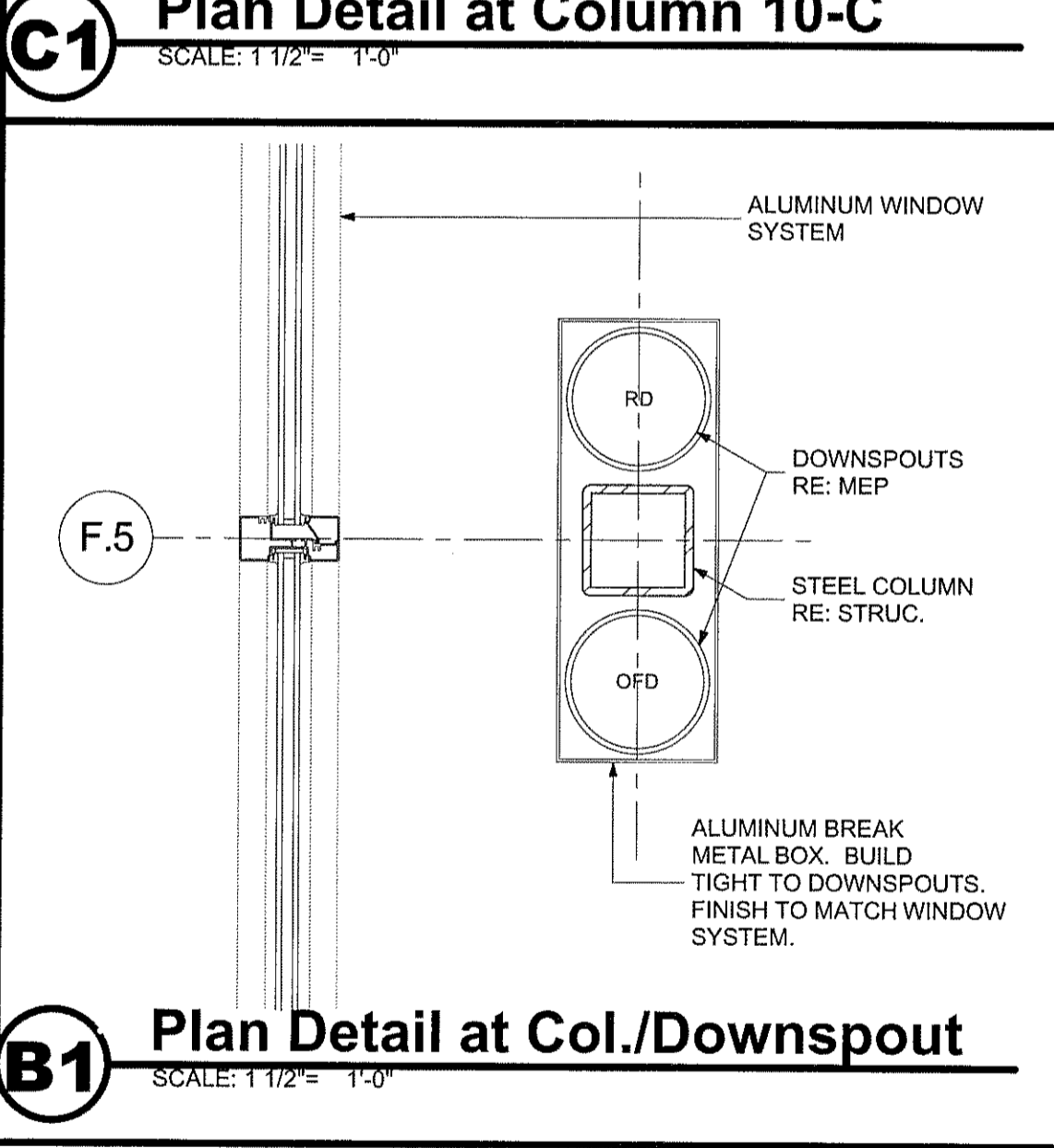
B4 Entry Canopy
SCALE: 1 1/2" = 1'-0"



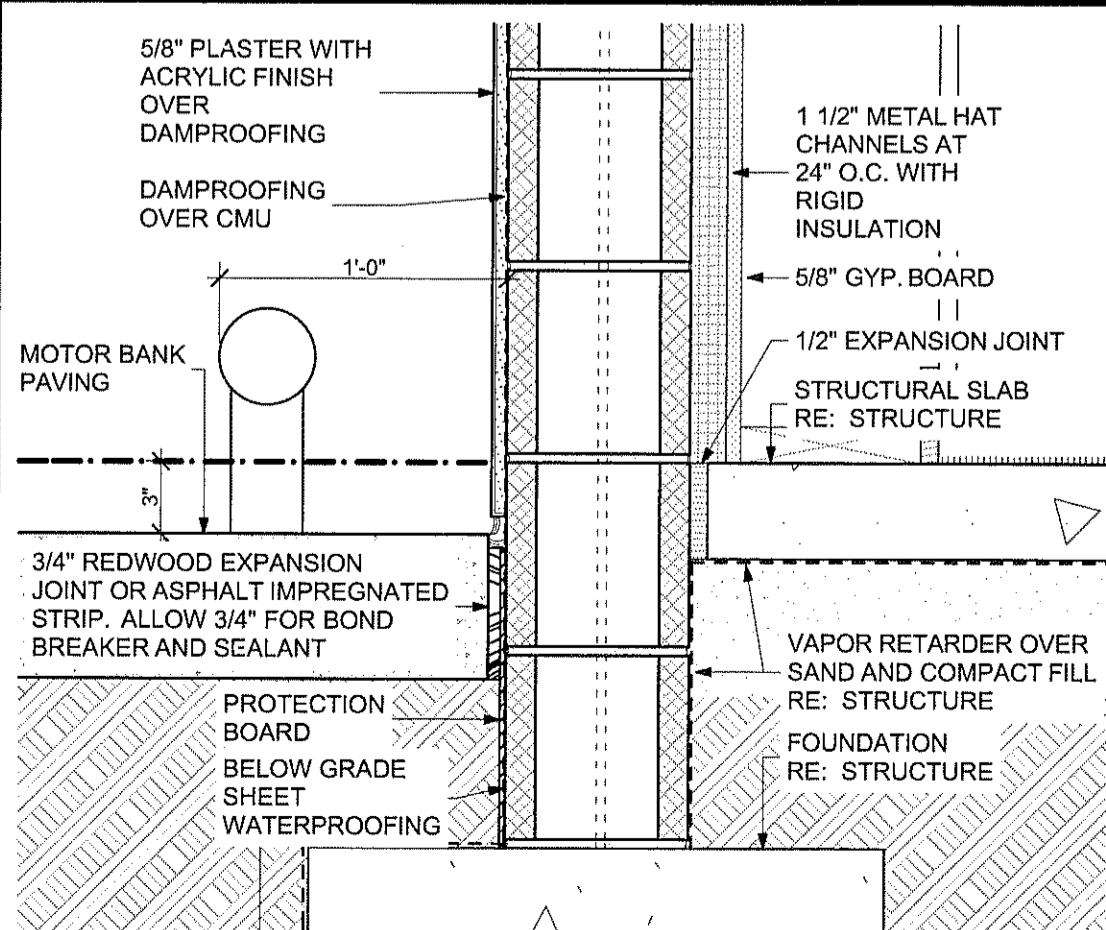
B3 Window Sill
SCALE: 3" = 1'-0"



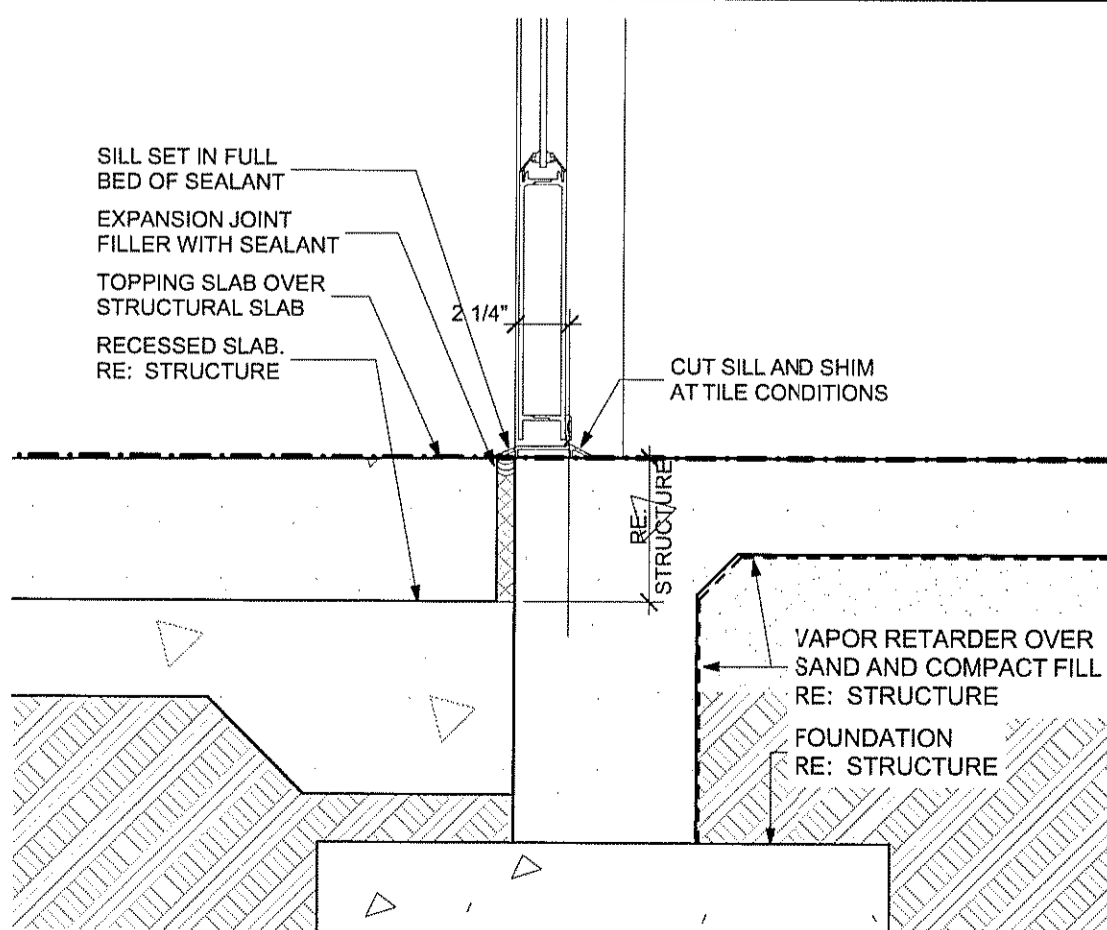
B2 Foundation Detail
SCALE: 1 1/2" = 1'-0"



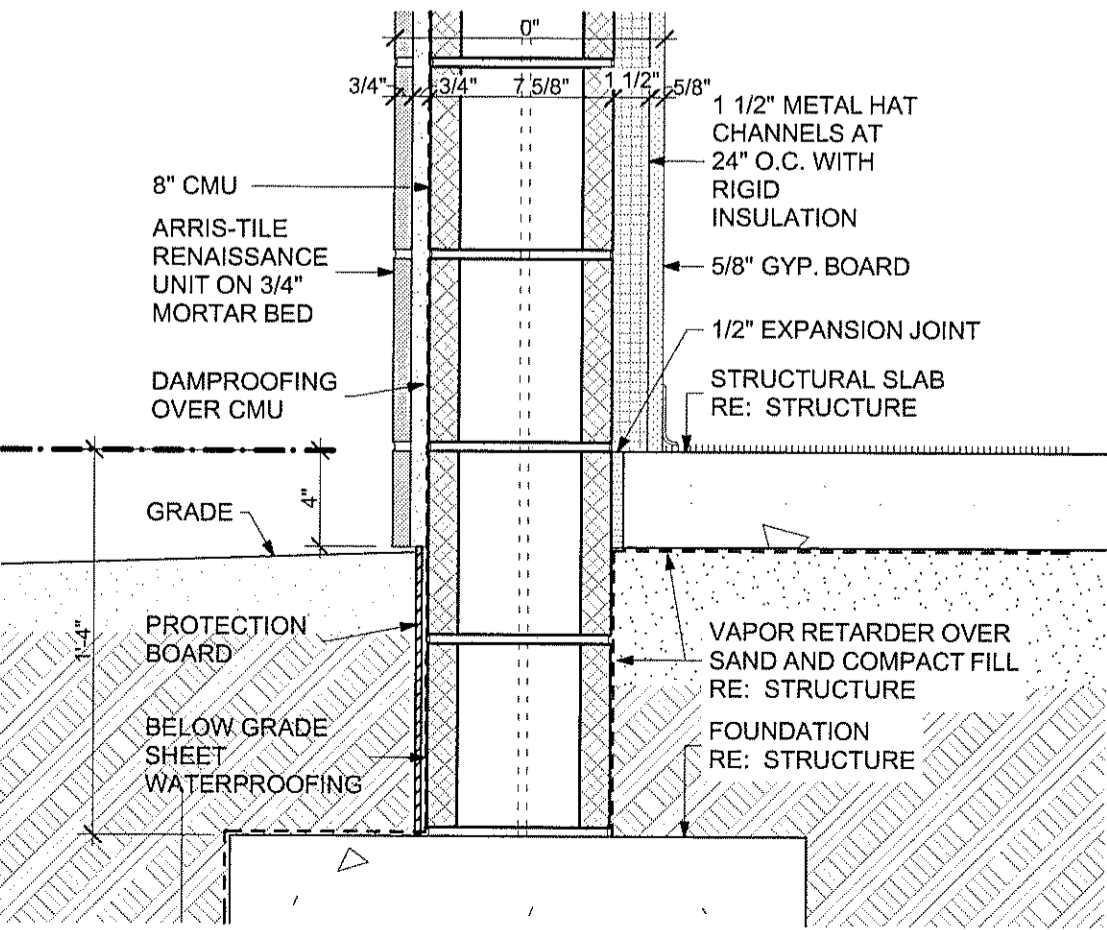
B1 Plan Detail at Col./Downspout
SCALE: 1 1/2" = 1'-0"



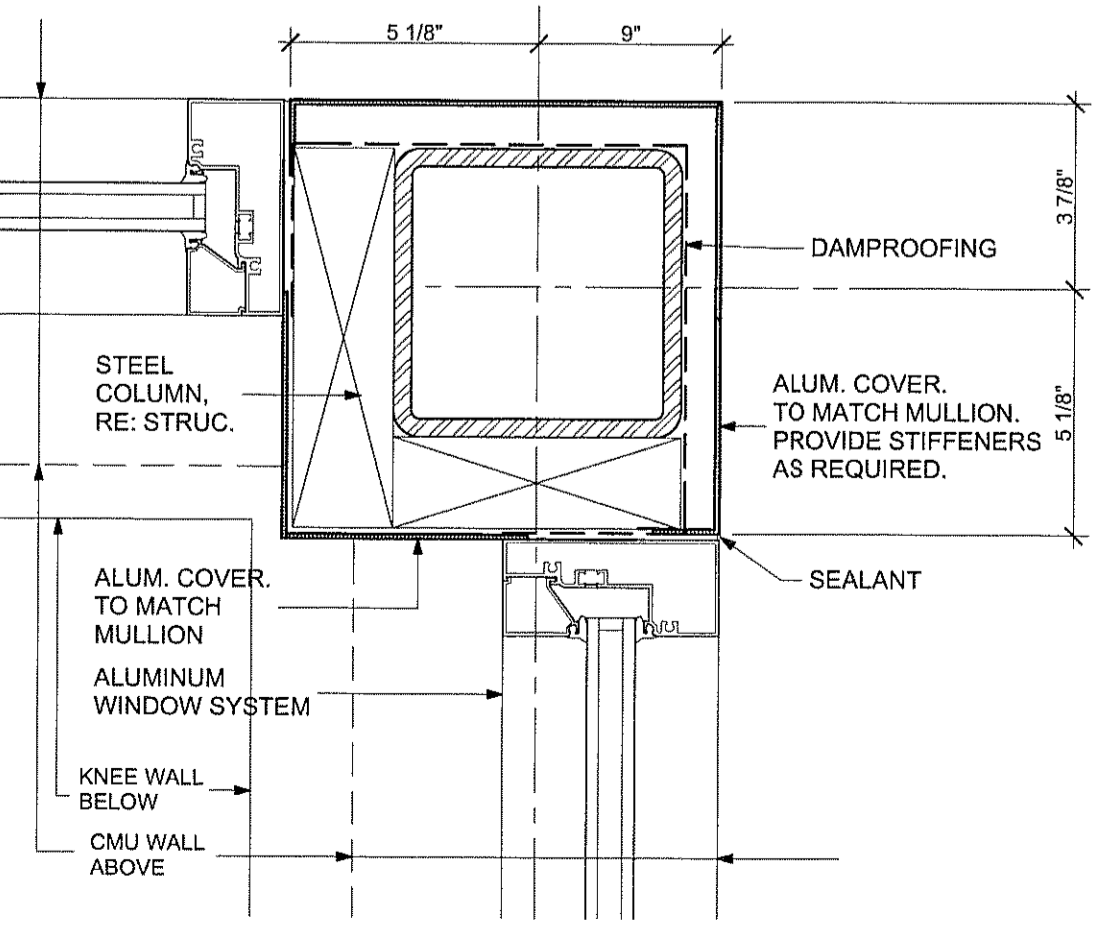
A5 M.B. Foundation
SCALE: 1 1/2" = 1'-0"



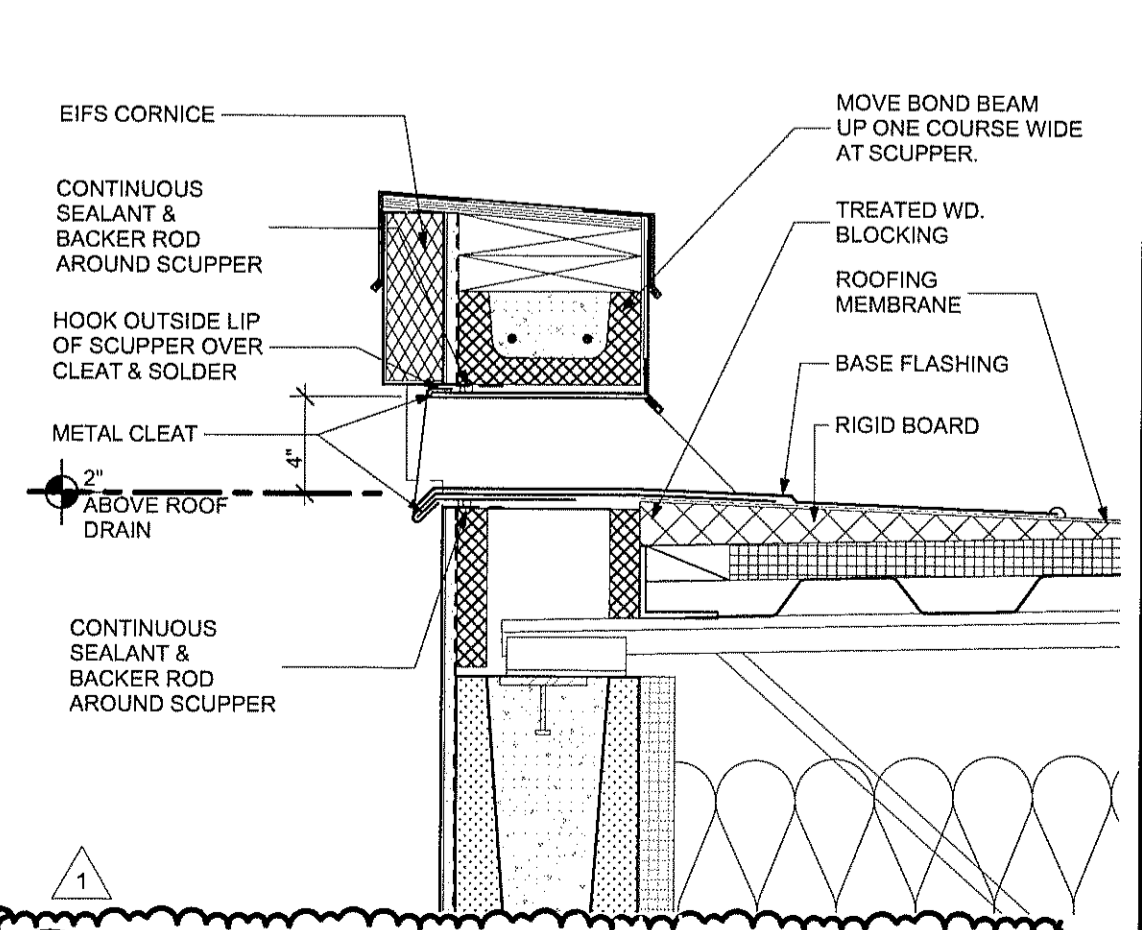
A4 Entry Door Sill
SCALE: 1 1/2" = 1'-0"



A3 Typ. Foundation Detail
SCALE: 1 1/2" = 1'-0"



A2 Column Cover
SCALE: 3" = 1'-0"



A1 Overflow Scupper Detail
SCALE: 1 1/2" = 1'-0"